



US00D763485S

(12) **United States Design Patent**
Wheel

(10) **Patent No.:** **US D763,485 S**

(45) **Date of Patent:** **** Aug. 9, 2016**

(54) **VEHICLE HEADLAMP**

(71) Applicant: **Jaguar Land Rover Limited**, Coventry (GB)

(72) Inventor: **Andrew Wheel**, Coventry (GB)

(73) Assignee: **Jaguar Land Rover Limited** (GB)

(**) Term: **14 Years**

(21) Appl. No.: **29/515,295**

(22) Filed: **Jan. 21, 2015**

(30) **Foreign Application Priority Data**

Jul. 22, 2014 (EM) 002507228

Jul. 22, 2014 (EM) 002507293

(51) **LOC (10) Cl.** **26-06**

(52) **U.S. Cl.**
USPC **D26/28**

(58) **Field of Classification Search**
USPC D26/28-36; 362/459-468, 475-478,
362/485-487
CPC F21S 48/00; F21S 48/10; F21S 48/115;
F21S 48/225; F21S 48/1266; F21S 48/1388;
F21S 48/2268; F21V 21/04
See application file for complete search history.

(56) **References Cited**

U.S. PATENT DOCUMENTS

D528,681 S * 9/2006 Nakahara D26/28
D528,685 S * 9/2006 Yoshida D26/28
D544,114 S * 6/2007 Ohta D26/28

D544,614 S * 6/2007 Markefka D26/28
D549,857 S * 8/2007 Lin D26/28
D561,358 S * 2/2008 Tachibana D26/28

* cited by examiner

Primary Examiner — Marcus Jackson

(74) *Attorney, Agent, or Firm* — Fishman Stewart PLLC

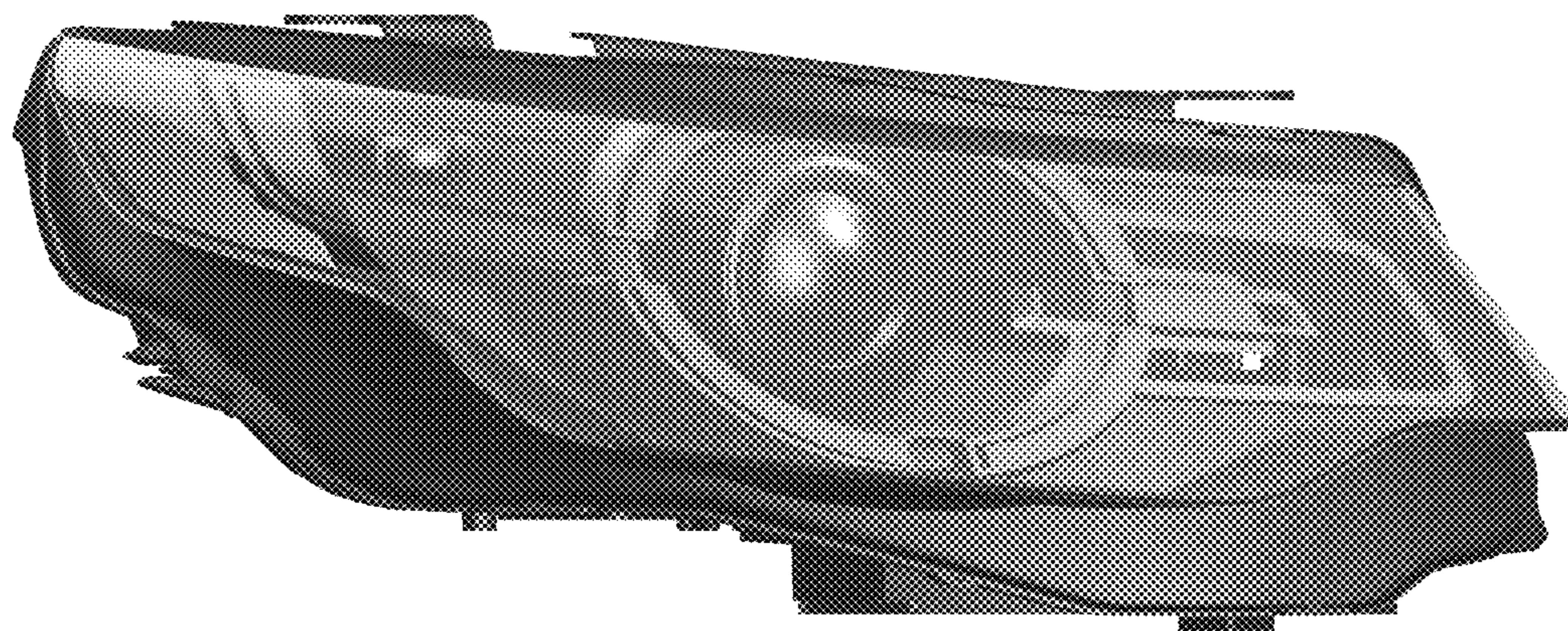
(57) **CLAIM**

The ornamental design for a vehicle lamp, as shown and described.

DESCRIPTION

FIG. 1 is a front perspective view of a vehicle lamp;
FIG. 2 is a rear perspective view of a vehicle lamp;
FIG. 3 is a front view of a vehicle lamp;
FIG. 4 is a rear view of a vehicle lamp;
FIG. 5 is an outboard side view of a vehicle lamp;
FIG. 6 is an inboard side view of a vehicle lamp;
FIG. 7 is a top view of a vehicle lamp;
FIG. 8 is a rear perspective view of an illuminated vehicle lamp;
FIG. 9 is a rear view of an illuminated vehicle lamp;
FIG. 10 is an outboard side view of an illuminated vehicle lamp; and,
FIG. 11 is a supplemental rear perspective view of a vehicle lamp in the installed position on a vehicle.
Portions of the figures shown in diagonal lines are for illustrative purposes only and form no part of the claimed design.

1 Claim, 6 Drawing Sheets



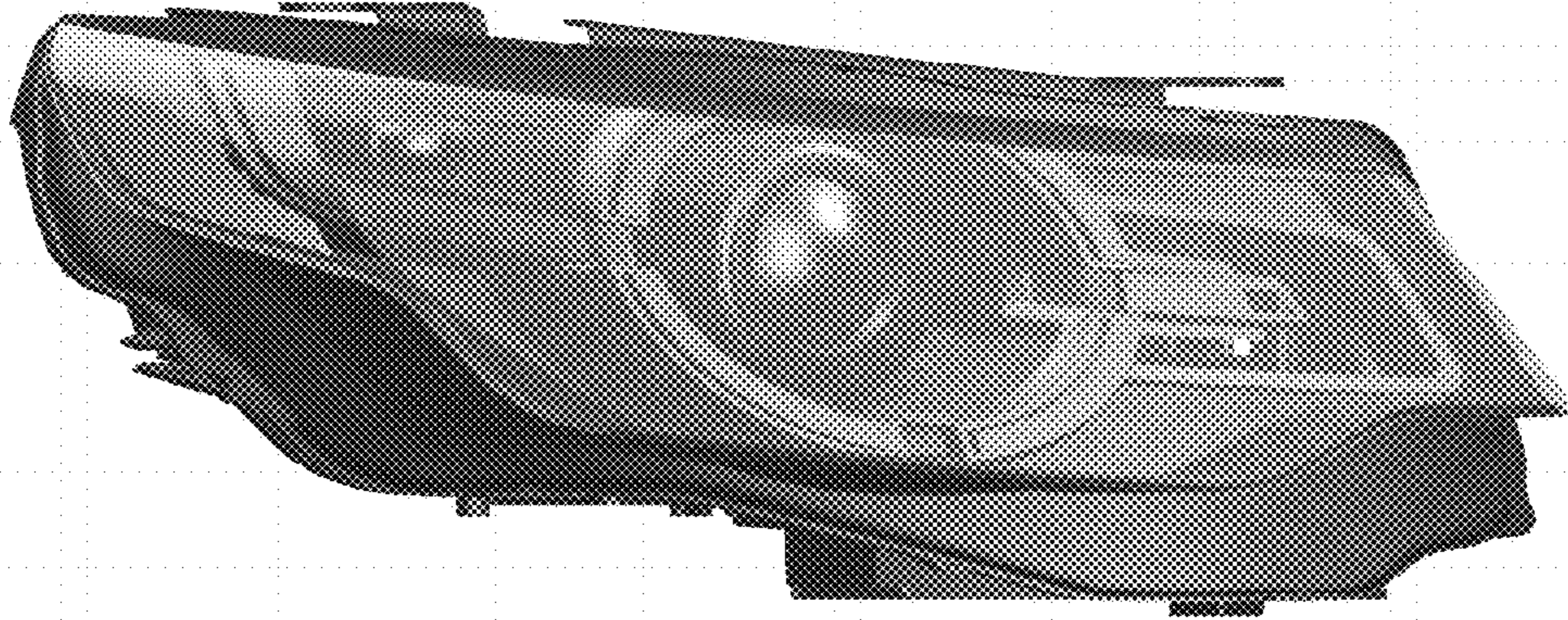


FIG. 1

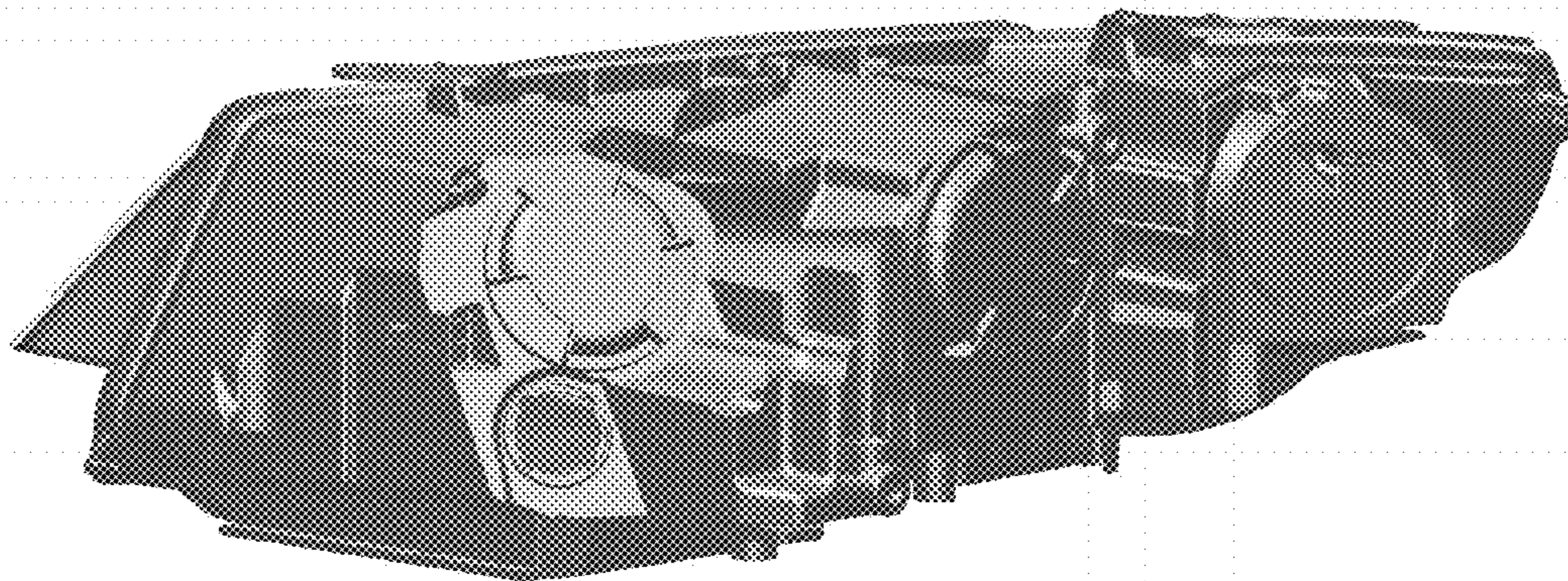


FIG. 2

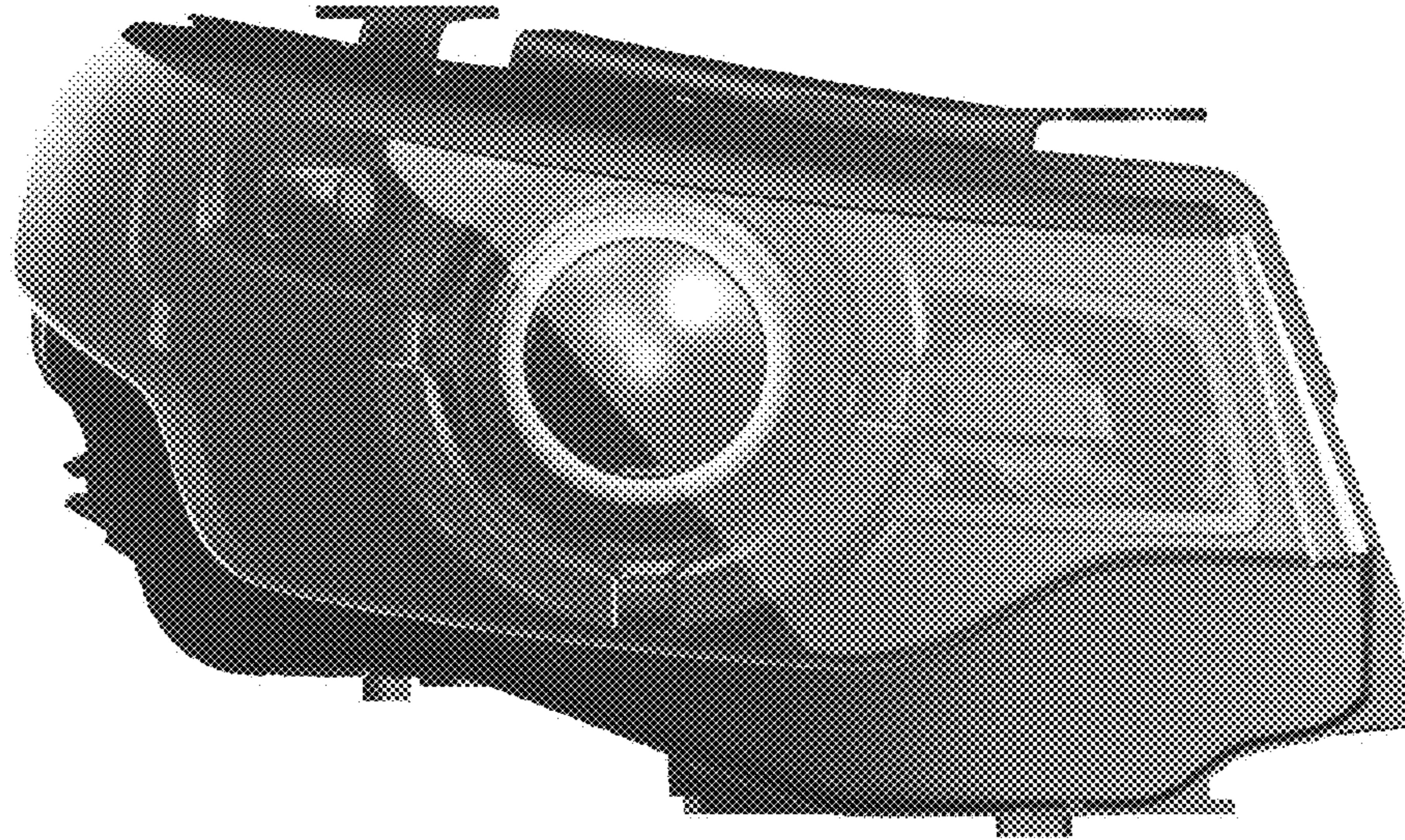


FIG. 3

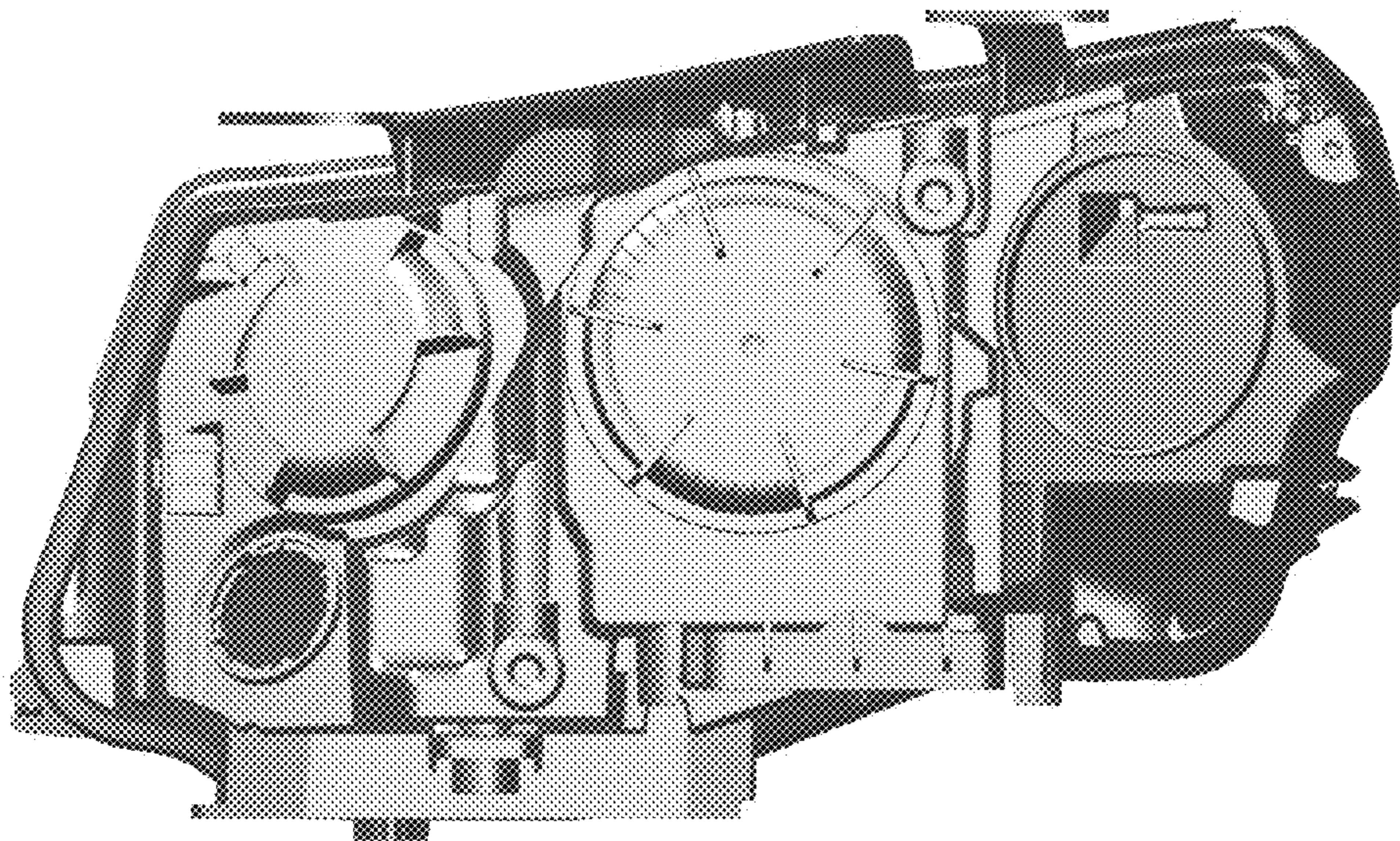


FIG. 4

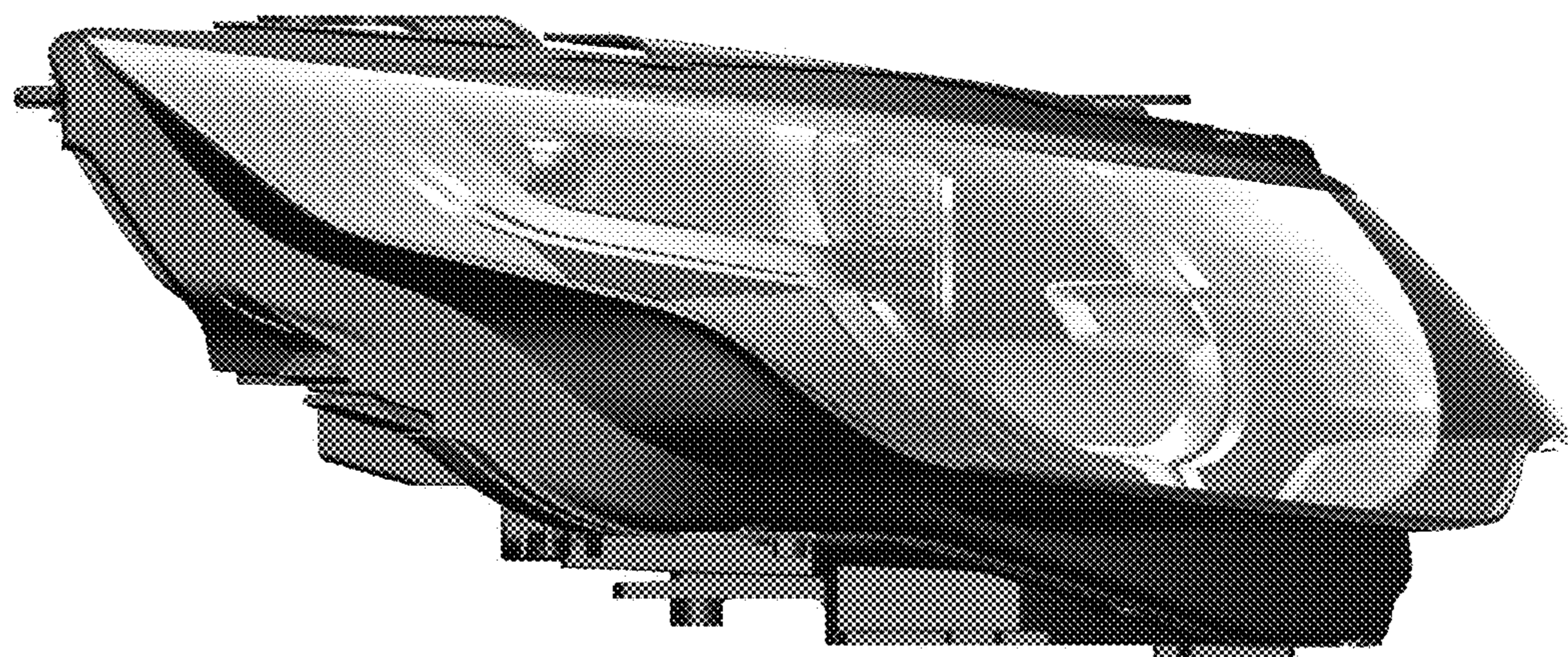


FIG. 5

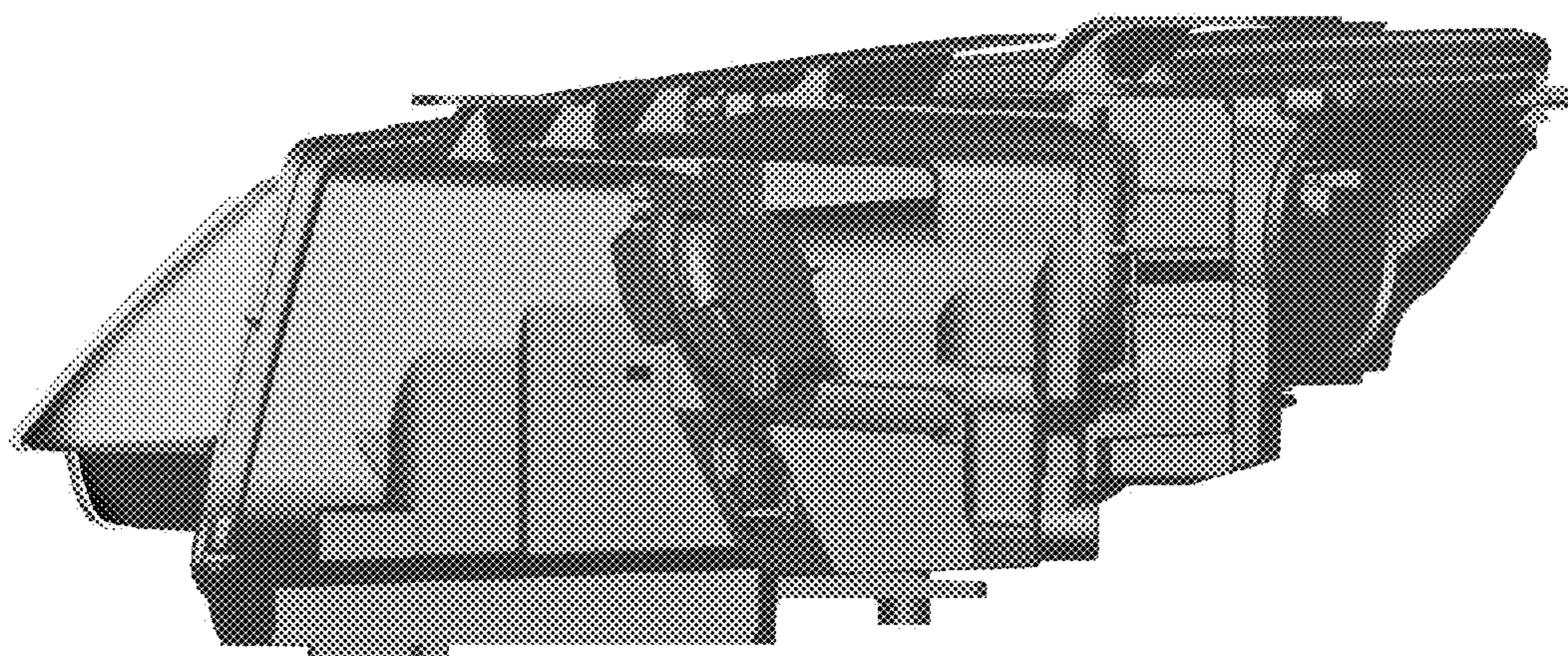


FIG. 6

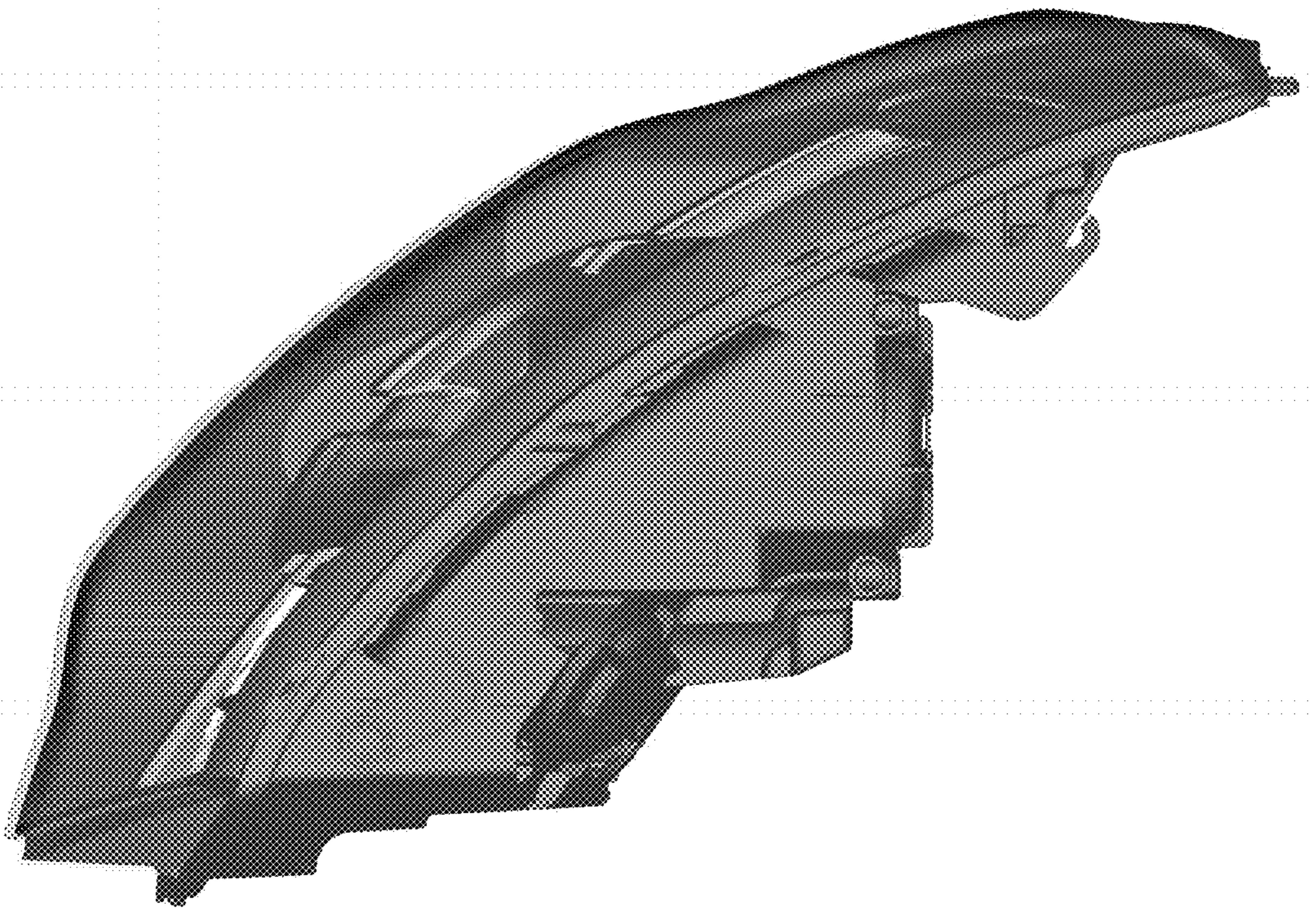


FIG. 7

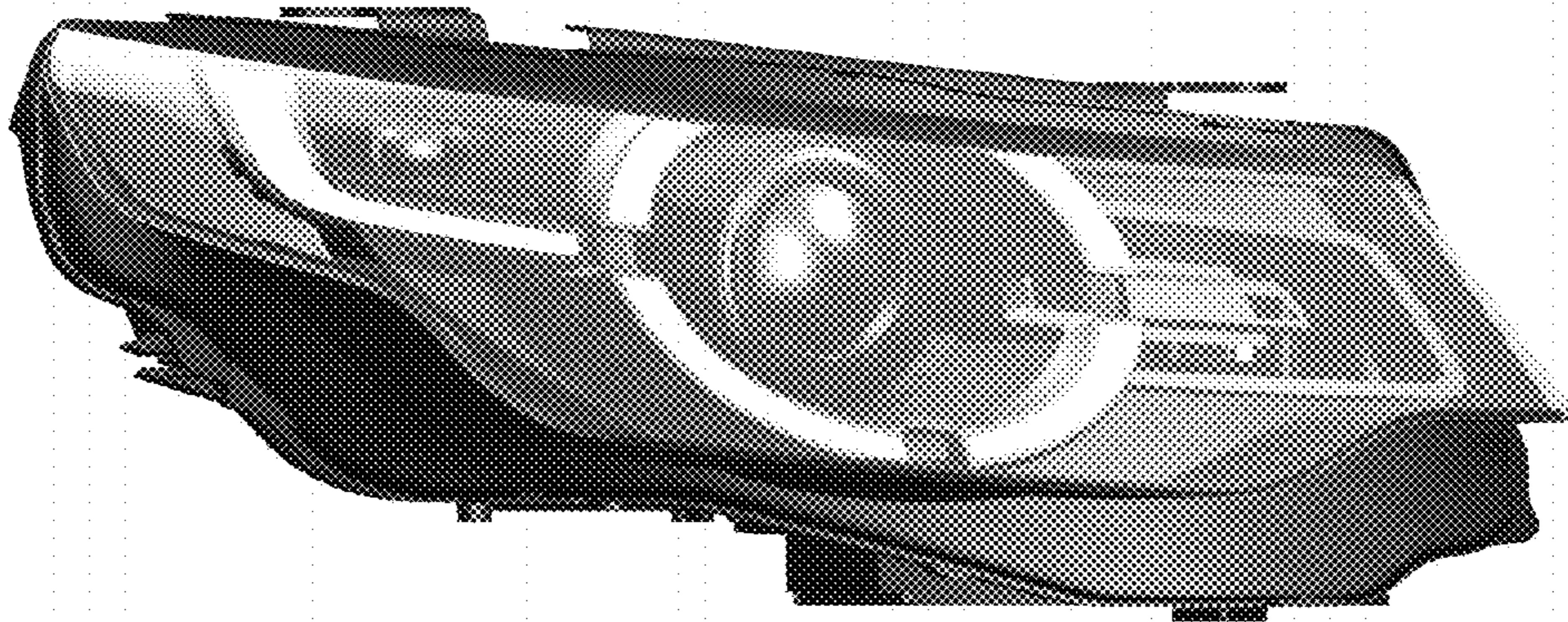


FIG. 8

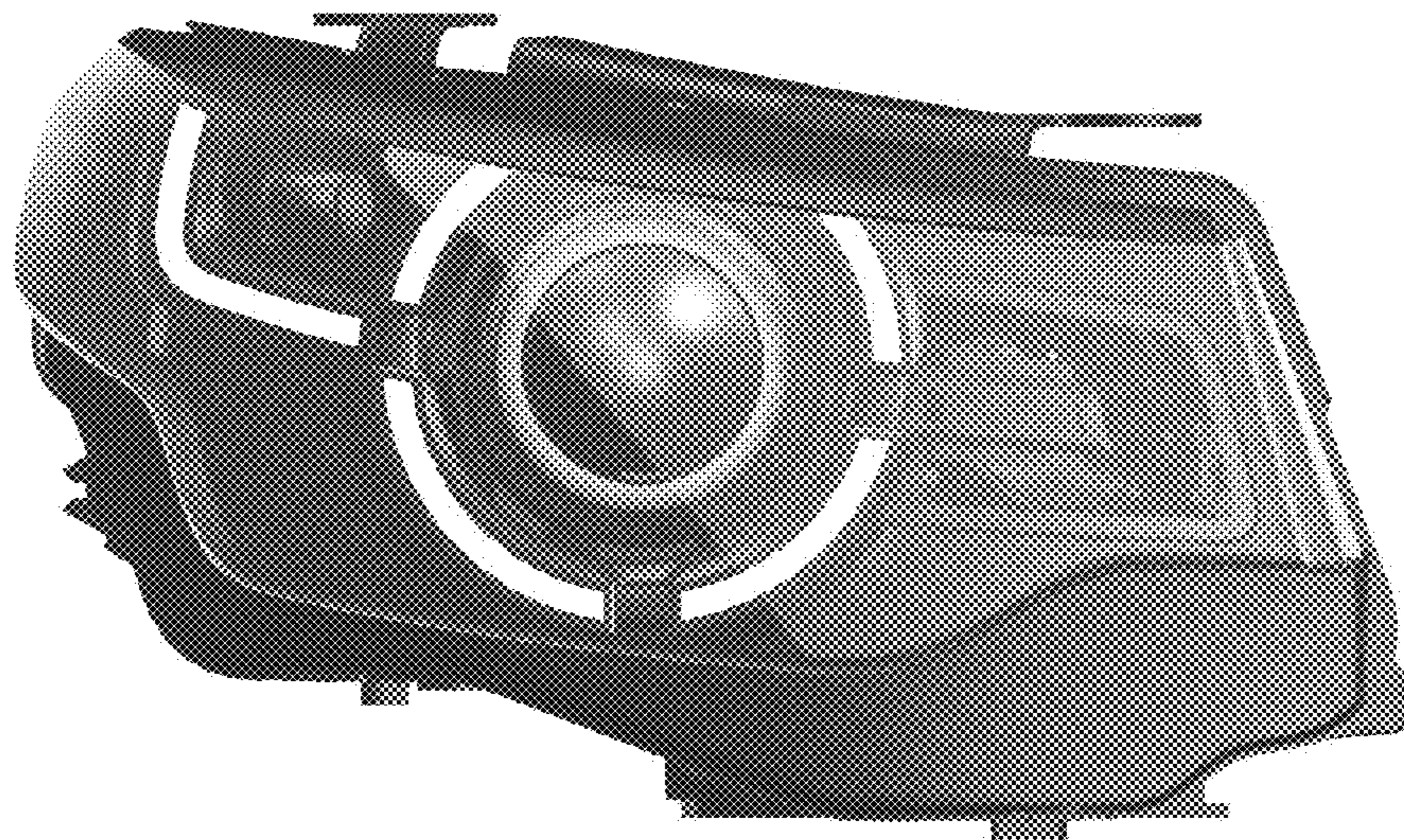


FIG. 9

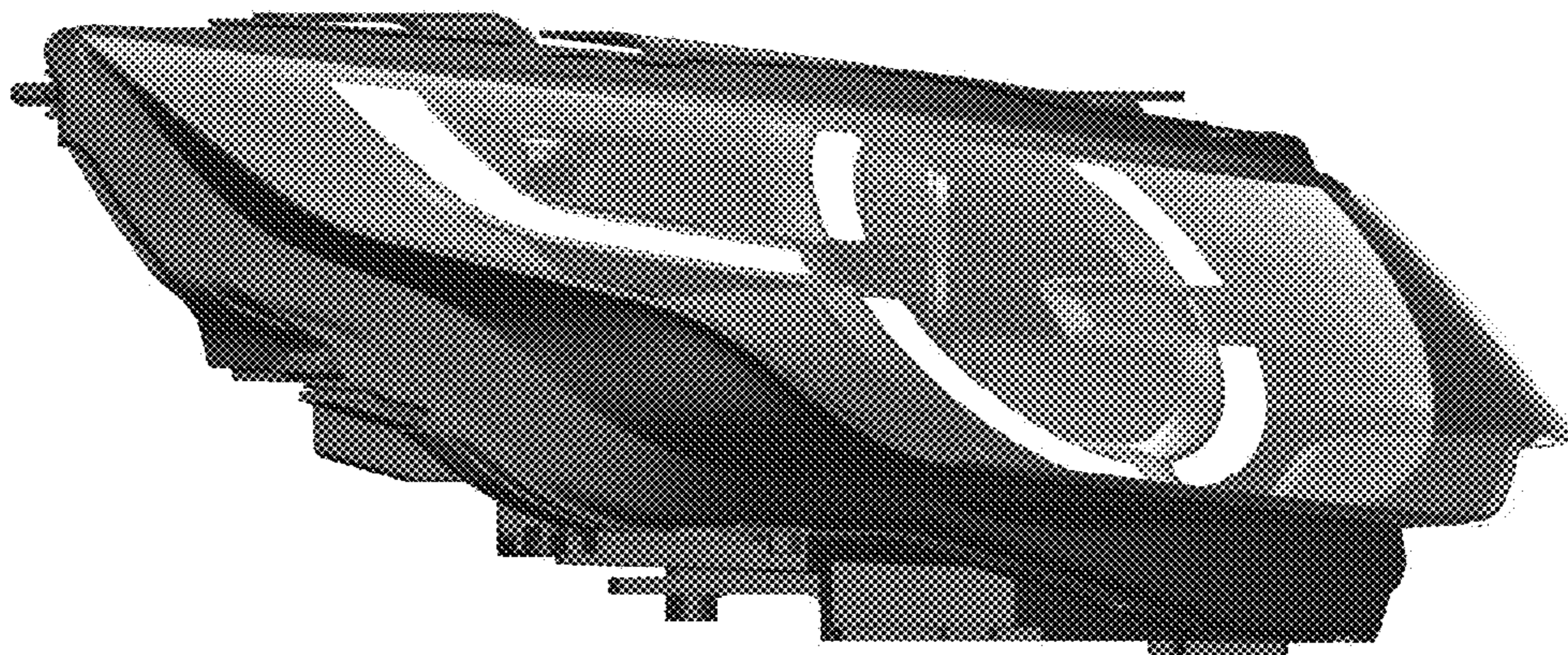


FIG. 10

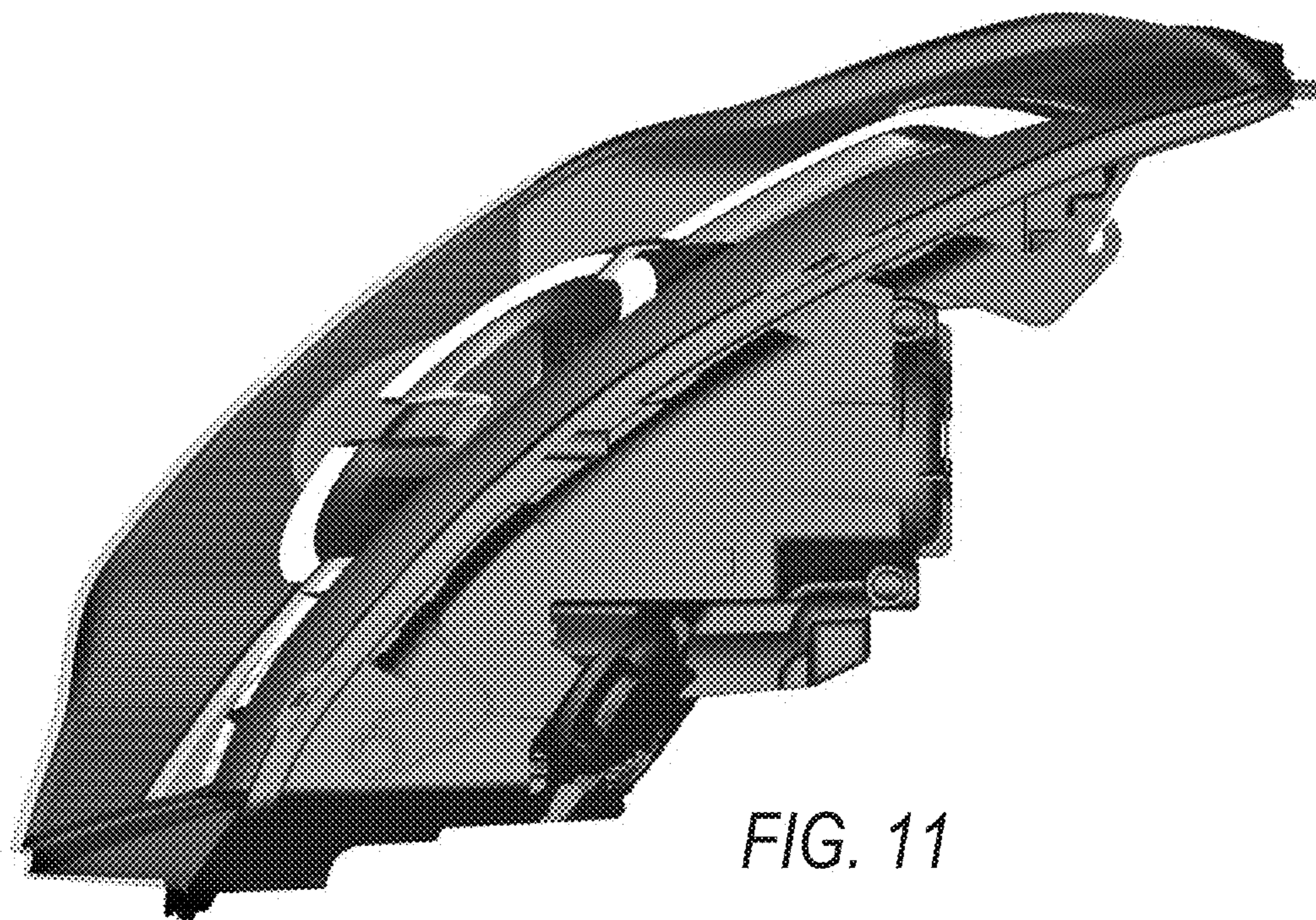


FIG. 11