

US00D763484S

(12) **United States Design Patent**
Salami, Jr.

(10) **Patent No.:** **US D763,484 S**

(45) **Date of Patent:** **** Aug. 9, 2016**

(54) **VEHICLE REAR MOUNTED LIGHT BRACKET**

(71) Applicant: **Joseph D Salami, Jr.**, Westwood, MA (US)

(72) Inventor: **Joseph D Salami, Jr.**, Westwood, MA (US)

(73) Assignee: **SALPRO, Corp.**, Westwood, MA (US)

(**) Term: **14 Years**

(21) Appl. No.: **29/513,586**

(22) Filed: **Jan. 2, 2015**

(51) **LOC (10) Cl.** **26-06**

(52) **U.S. Cl.**
USPC **D26/28; D12/106**

(58) **Field of Classification Search**
USPC D26/28-36; D12/106; 362/61, 80-83, 362/459-468, 475-478, 485-487
CPC F21S 48/00; F21S 48/10; F21S 48/115; F21S 48/225; F21S 48/1233; F21S 48/1266; F21S 48/1388; F21S 48/2268; F21V 21/04
See application file for complete search history.

(56) **References Cited**

U.S. PATENT DOCUMENTS

D161,193 S * 12/1950 Lester D26/28
6,379,028 B1 4/2002 Crouse et al.

6,409,367 B1 6/2002 Pratt
6,788,190 B2 9/2004 Bishop
6,977,584 B2 12/2005 Milliken
7,008,088 B2 3/2006 Piscioti
7,498,686 B2 3/2009 Capenos
D594,386 S * 6/2009 Jorgensen D12/106
RE40,878 E 8/2009 Bishop
8,552,852 B1 10/2013 Hertz et al.
D703,106 S * 4/2014 Deighton D12/106

* cited by examiner

Primary Examiner — Marcus Jackson

(74) *Attorney, Agent, or Firm* — Onello & Mello, LLP

(57) **CLAIM**

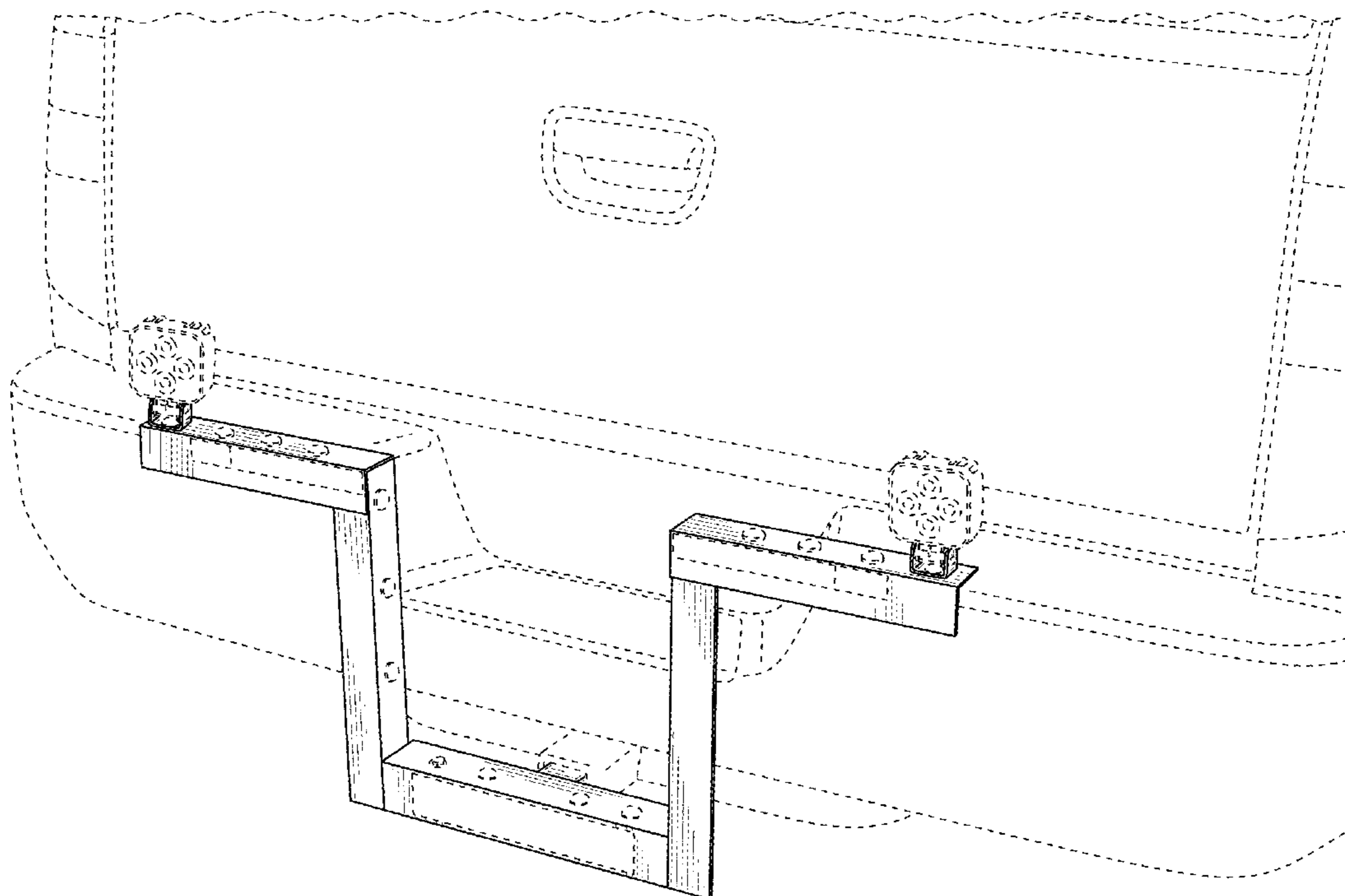
The ornamental design for a vehicle rear mounted light bracket, as shown and described.

DESCRIPTION

FIG. 1 is an isometric view of a vehicle rear mounted light bracket, in accordance with the present invention; FIG. 2 is a front view thereof; FIG. 3 is a right side view thereof; FIG. 4 is a bottom view thereof; FIG. 5 is a top view thereof; and FIG. 6 is a rear view thereof; and, FIG. 7 is a left side view thereof.

In the drawings, broken lines illustrate environment and form no part of the claimed design.

1 Claim, 3 Drawing Sheets



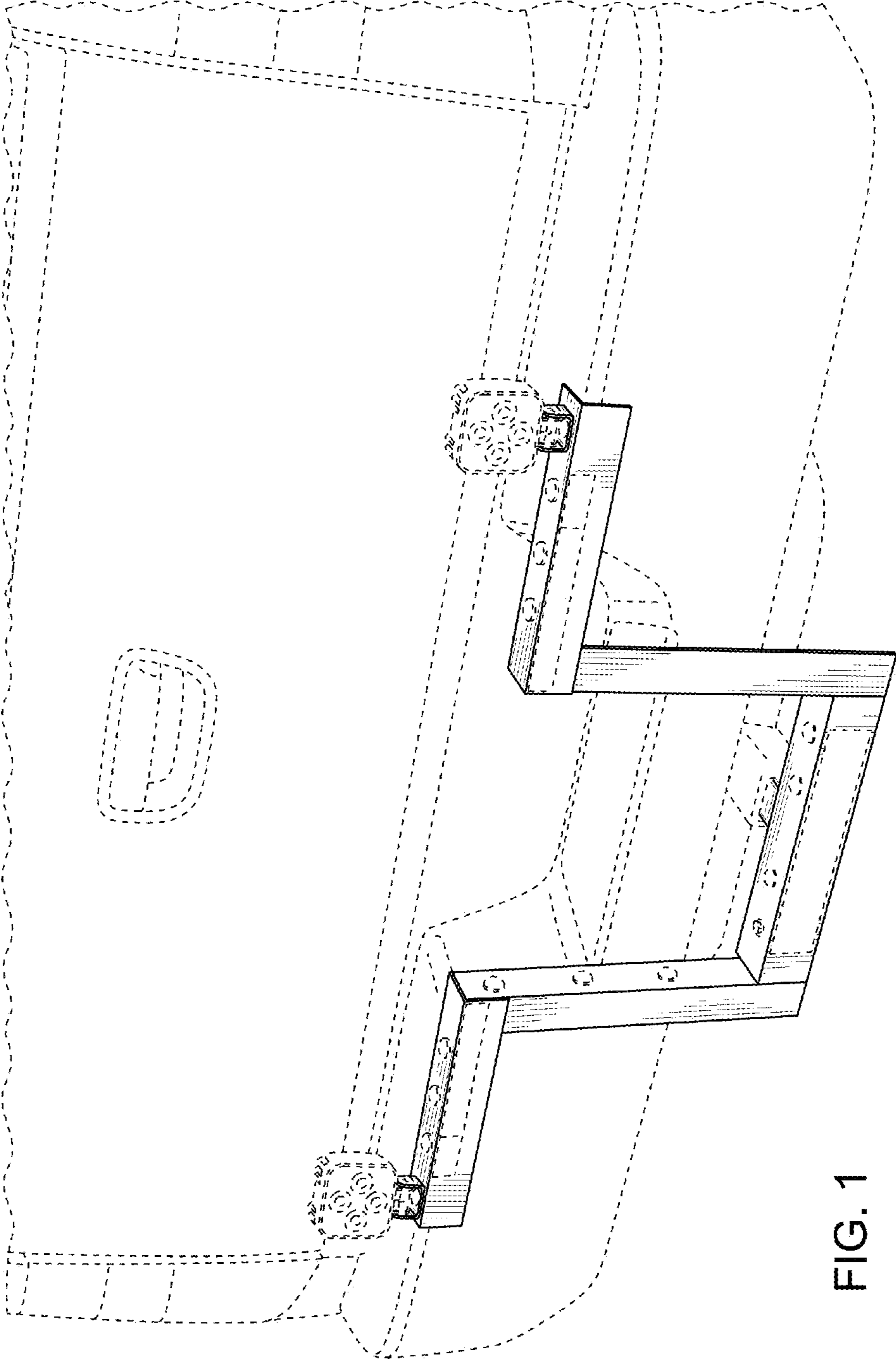


FIG. 1

FIG. 3

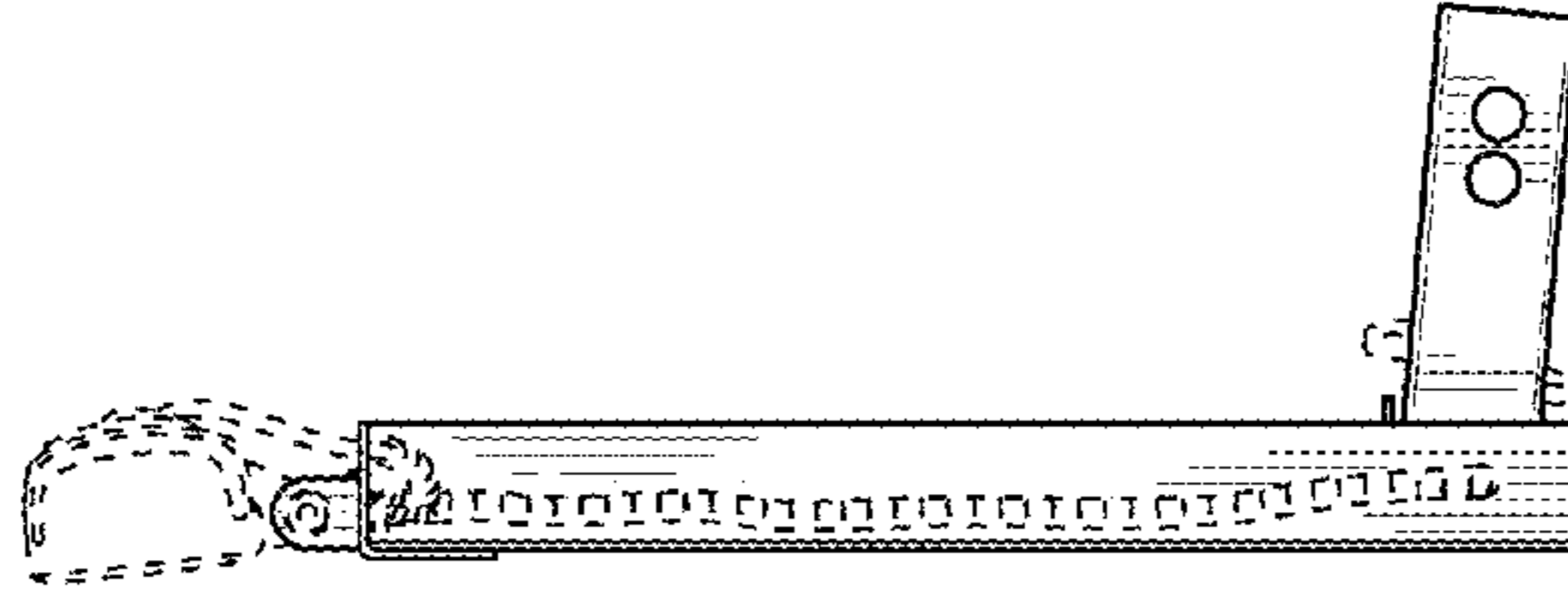


FIG. 2

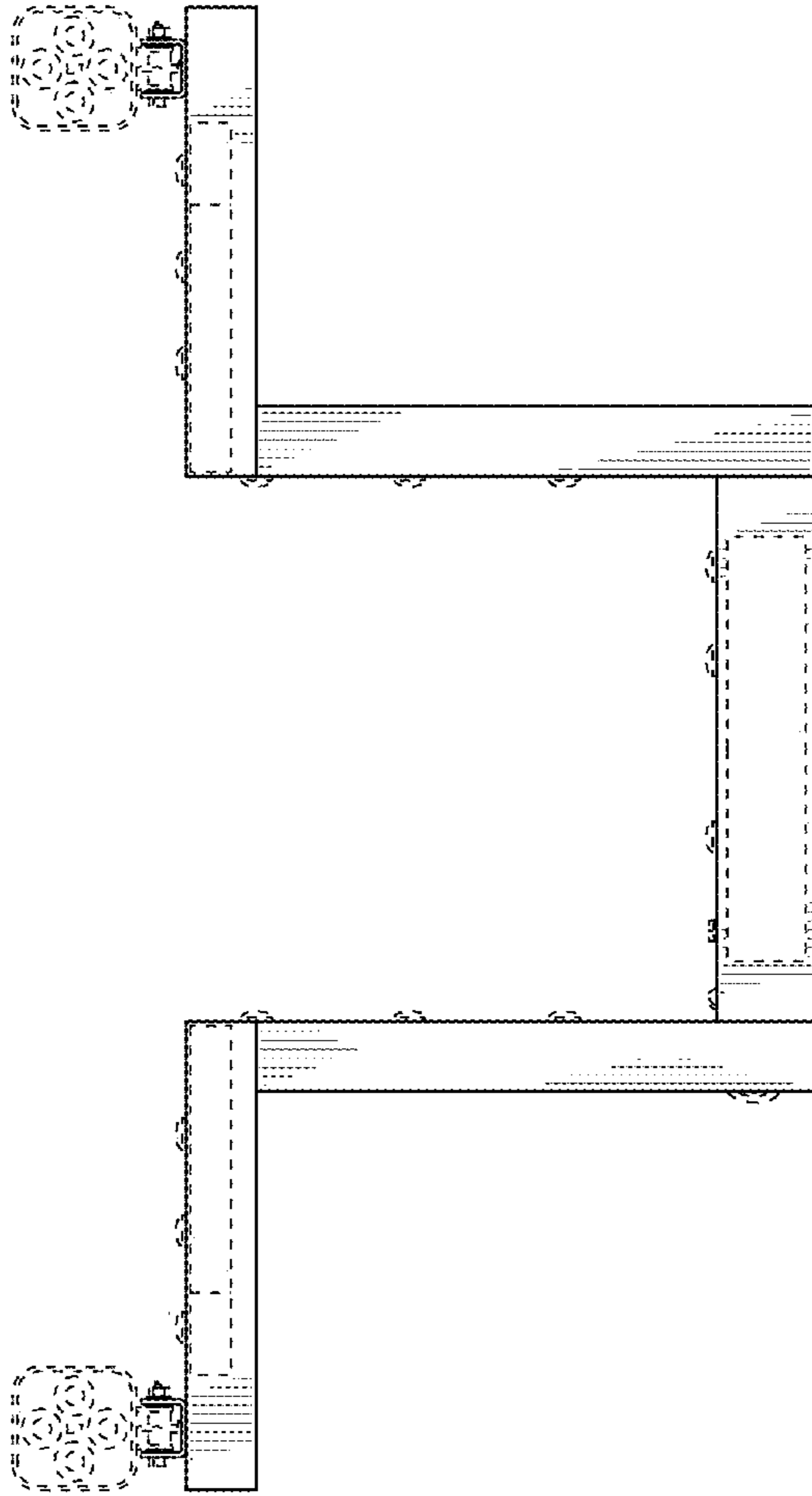


FIG. 4

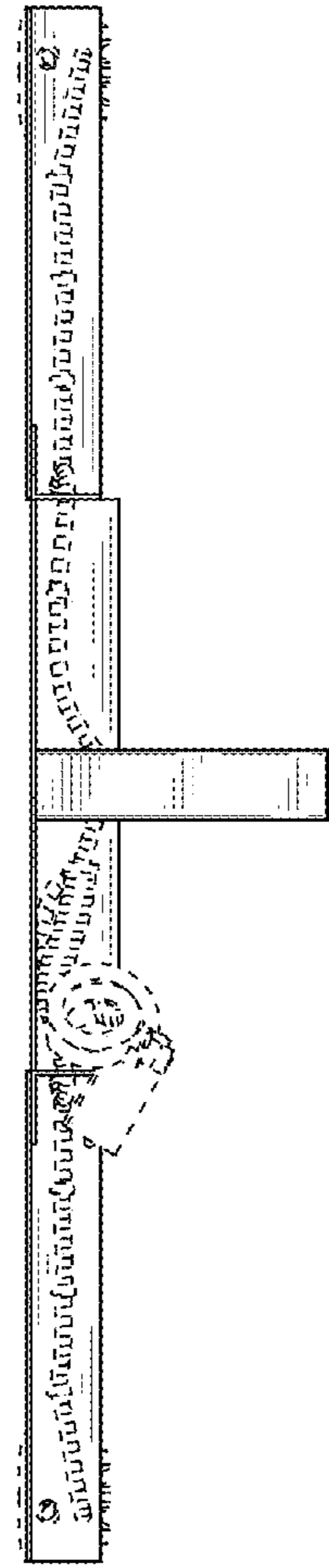


FIG. 5

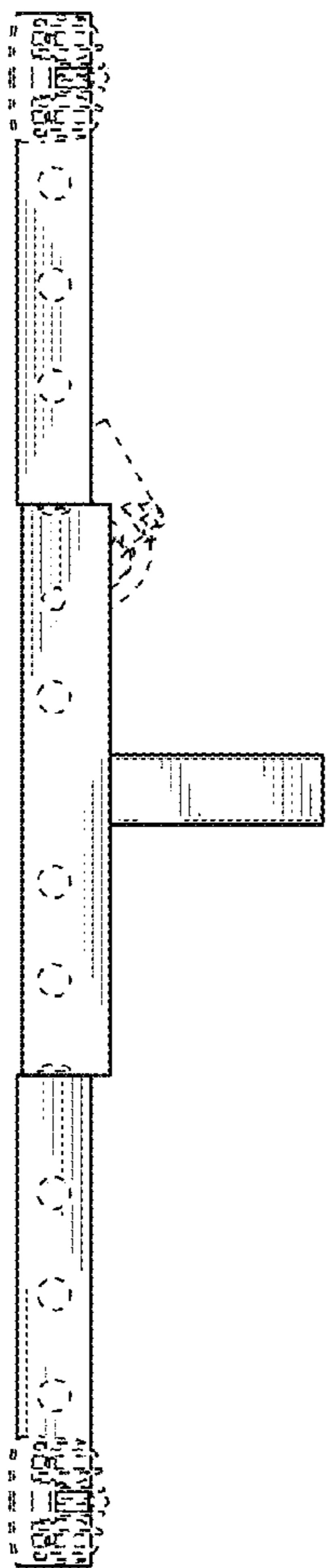


FIG. 6

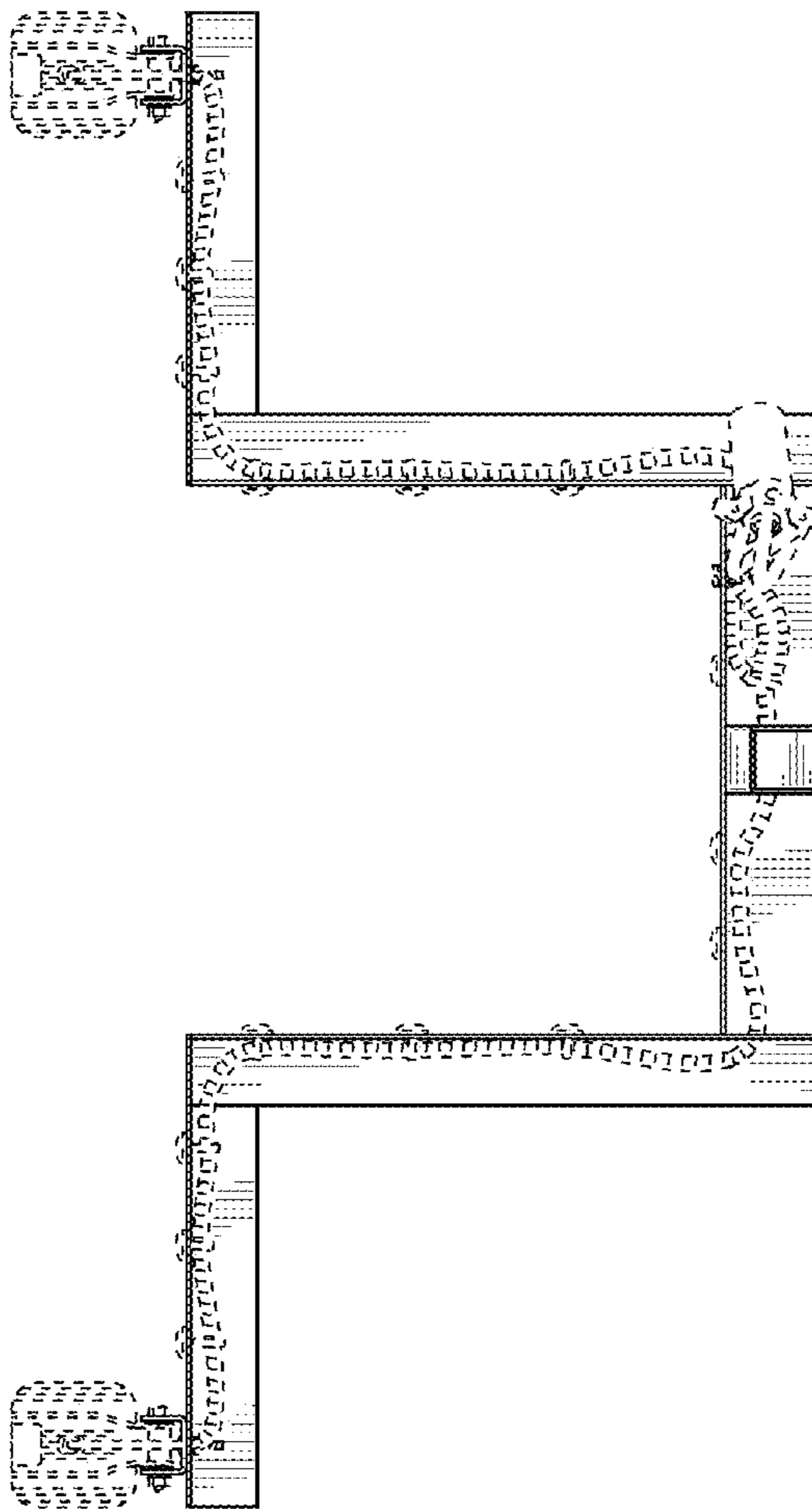


FIG. 7

