



US00D763483S

(12) **United States Design Patent**
Luke et al.

(10) **Patent No.:** **US D763,483 S**
(45) **Date of Patent:** **** Aug. 9, 2016**

(54) **TAIL LAMP HOUSING UNIT**
(71) Applicant: **Gogoro Inc.**, Hong Kong (CN)
(72) Inventors: **Hok-Sum Horace Luke**, Mercer Island, WA (US); **Chien-Chih Weng**, New Taipei (TW); **Hsin-Wen Su**, Taipei (TW)
(73) Assignee: **GOGORO INC.**, Hong Kong (CN)

D574,300 S 8/2008 Kitayama et al.
D588,719 S * 3/2009 Longpre D26/28
D596,322 S * 7/2009 Takahashi D26/28
D596,767 S * 7/2009 Idei D26/28
D601,728 S * 10/2009 Kogo D26/28
D602,402 S 10/2009 Takahashi et al.

(Continued)

FOREIGN PATENT DOCUMENTS

TW D114554 12/2006
TW D141327 7/2011

OTHER PUBLICATIONS

Taiwanese Office Action with English Translation dated Jun. 11, 2015, for corresponding TW Application No. 103306726, 6 pages.

Primary Examiner — Marcus Jackson

(74) *Attorney, Agent, or Firm* — Seed IP Law Group PLLC

(**) Term: **14 Years**
(21) Appl. No.: **29/507,634**
(22) Filed: **Oct. 29, 2014**
(51) **LOC (10) Cl.** **26-06**
(52) **U.S. Cl.**
USPC **D26/28**
(58) **Field of Classification Search**
USPC D26/28-36; 362/459-468, 475-478,
362/485-487
CPC F21S 48/00; F21S 48/10; F21S 48/115;
F21S 48/1233; F21S 48/1388; F21S 48/2268;
F21V 21/04
See application file for complete search history.

(57) **CLAIM**

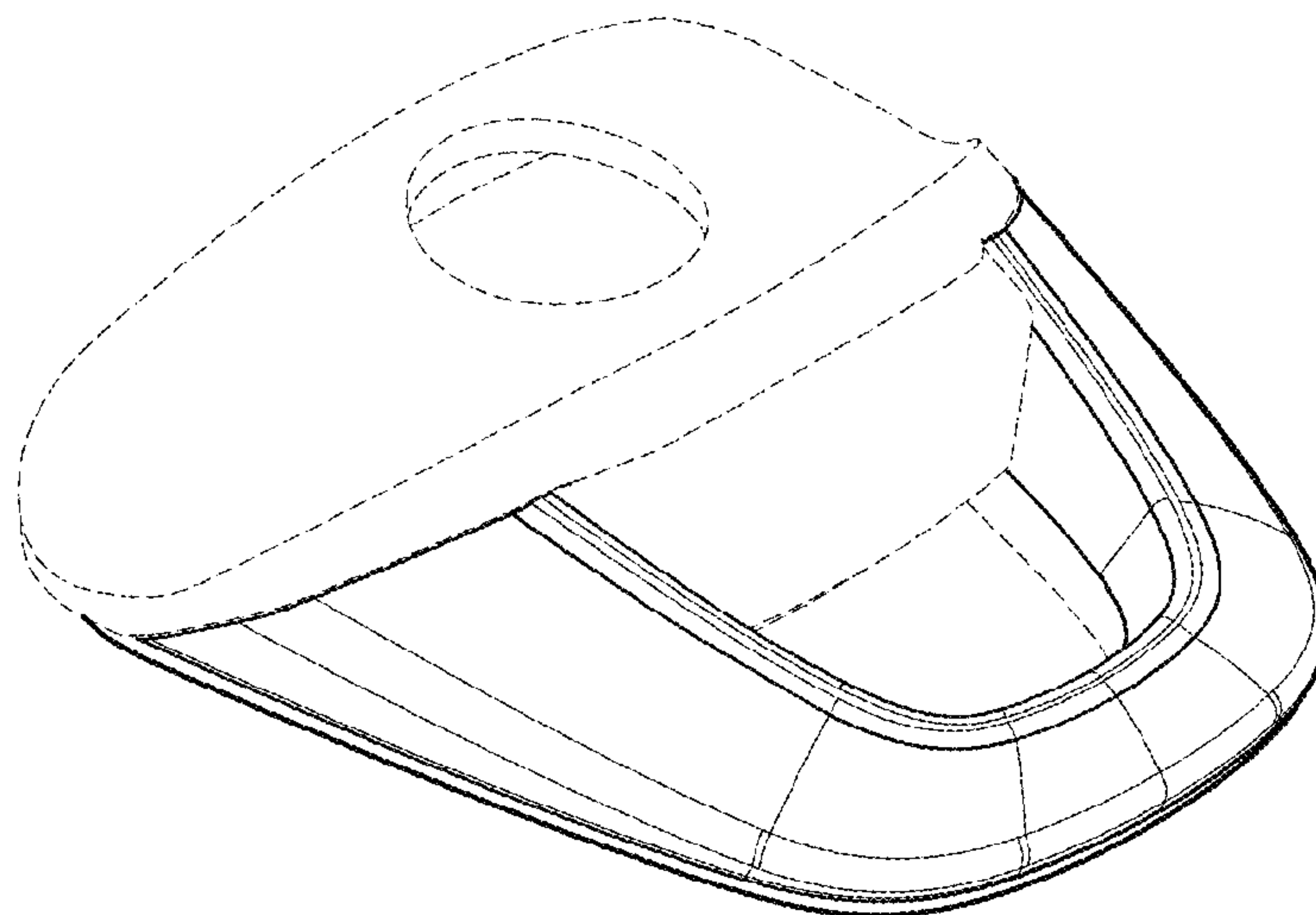
The ornamental design for a tail lamp housing unit, as shown and described.

DESCRIPTION

FIG. 1 is a rear perspective view of a tail lamp housing unit showing our new design.
FIG. 2 is a front perspective view thereof.
FIG. 3 is a rear elevational view thereof.
FIG. 4 is a left side elevational view thereof.
FIG. 5 is a right side elevational view thereof.
FIG. 6 is a top plan view thereof; and,
FIG. 7 is a rear perspective view showing environmental structure thereof.
Contour lines are intended to represent three-dimensional contours of the design, and are not intended to indicate surface decoration.
The broken lines are for the purpose of illustrating environmental structure for the claimed design and form no part of the claimed design.

(56) **References Cited**
U.S. PATENT DOCUMENTS
4,536,005 A 8/1985 Tanaka et al.
4,715,465 A 12/1987 Takahashi et al.
4,719,983 A 1/1988 Bruzzone
4,800,980 A 1/1989 Hideo et al.
D314,166 S 1/1991 Shively et al.
D361,741 S 8/1995 Sofue et al.
D399,174 S 10/1998 Takeshita et al.
D480,661 S 10/2003 Kawawa et al.
D490,750 S 6/2004 Hoshino
D503,908 S 4/2005 Tomomatsu et al.
D514,987 S 2/2006 Hsiao
D529,415 S 10/2006 Shimada et al.
D537,386 S 2/2007 Mizuta et al.
D537,756 S 3/2007 Kitayama et al.

1 Claim, 7 Drawing Sheets



(56)

References Cited

U.S. PATENT DOCUMENTS

D602,617 S * 10/2009 Kogo D26/28
D610,490 S 2/2010 Wong
D617,021 S * 6/2010 Ishiguri D26/28
D629,721 S 12/2010 Takeno et al.
D638,151 S * 5/2011 Hung D26/28
D644,961 S 9/2011 Watanabe et al.
D654,402 S 2/2012 Lambri et al.

D657,722 S 4/2012 Lambri et al.
D662,860 S 7/2012 Devernay et al.
D670,205 S 11/2012 Takakuwa et al.
D678,128 S 3/2013 Lambri et al.
D678,129 S 3/2013 Kubota et al.
D713,071 S 9/2014 Namai et al.
D716,977 S 11/2014 Nishimoto et al.
D717,978 S 11/2014 Nishimoto et al.
D726,076 S 4/2015 Arai et al.

* cited by examiner

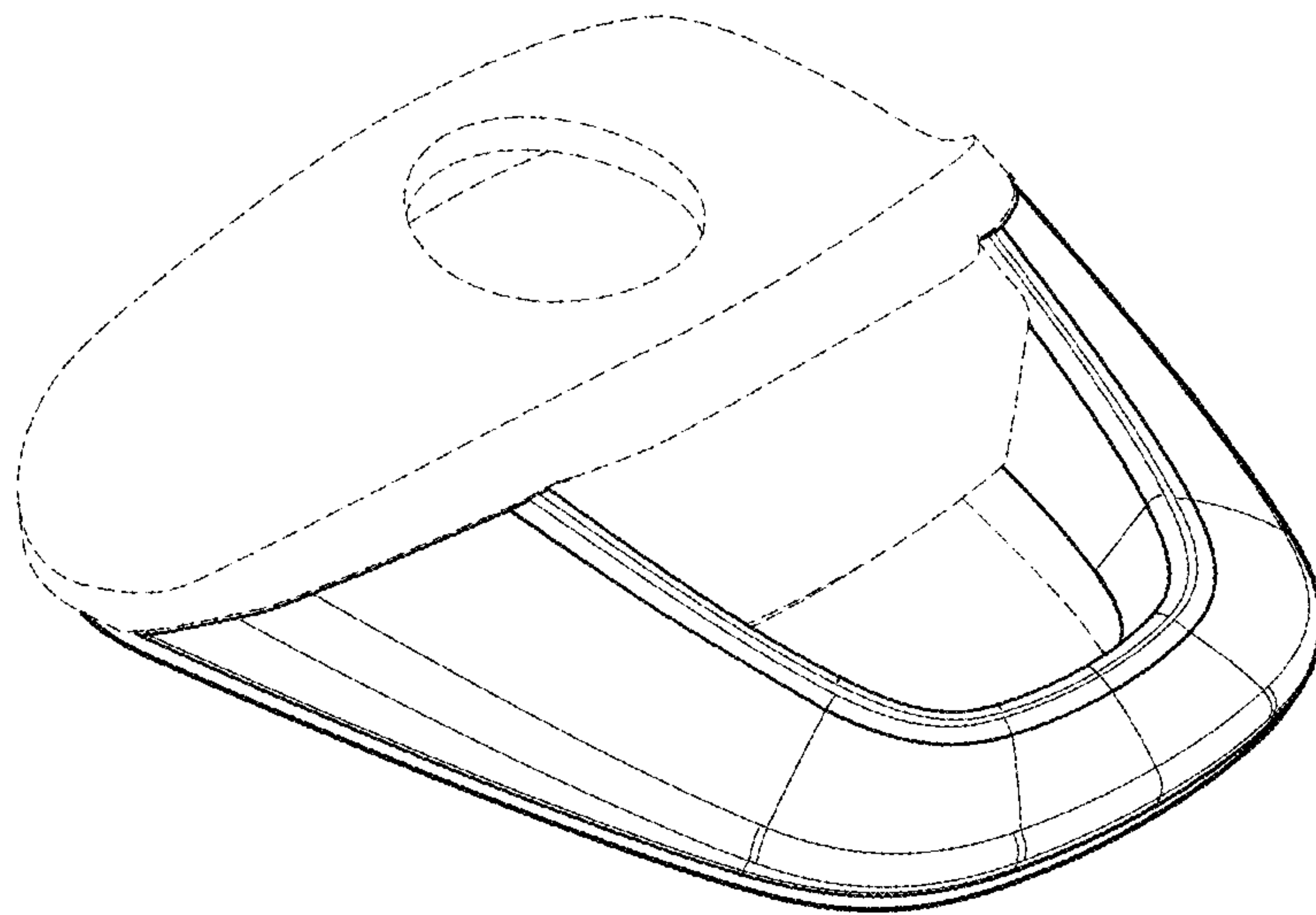


FIG.1

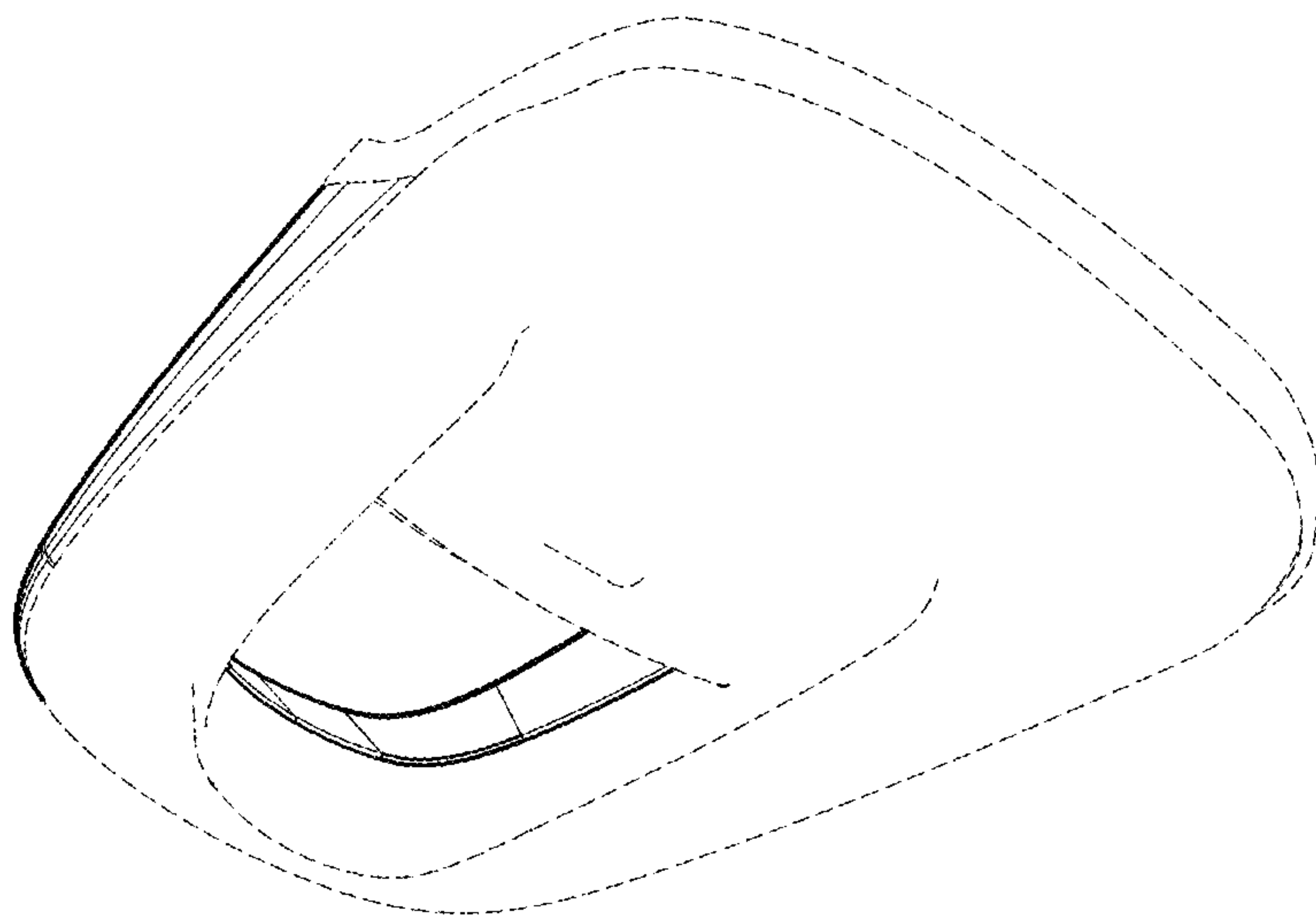


FIG.2

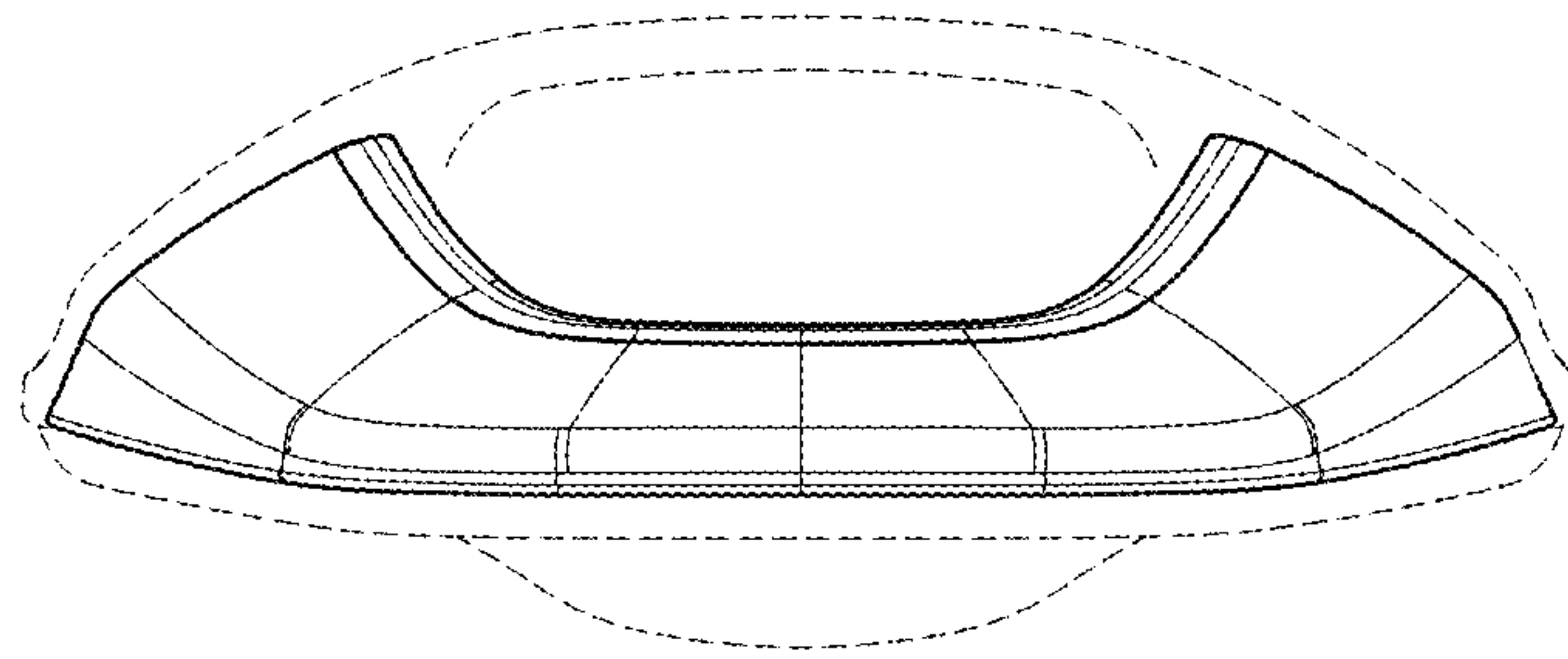


FIG.3

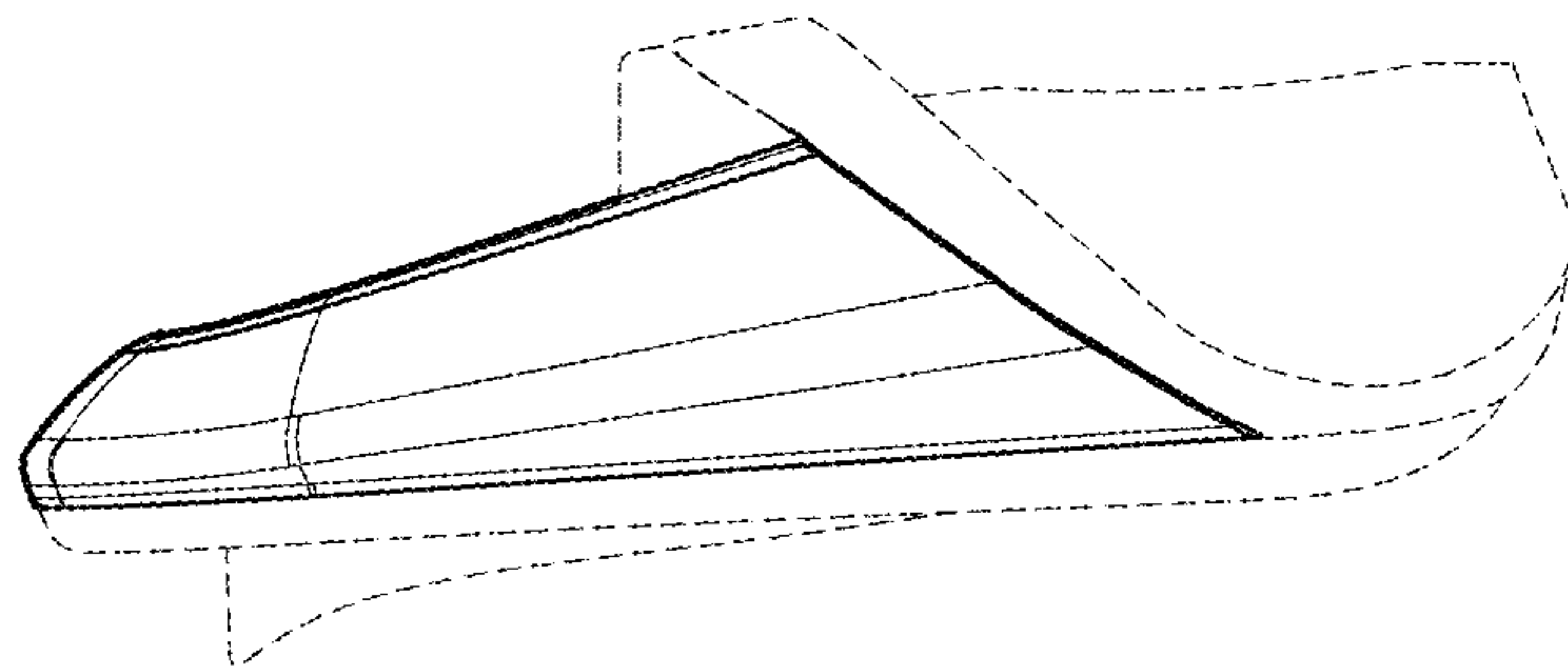


FIG.4

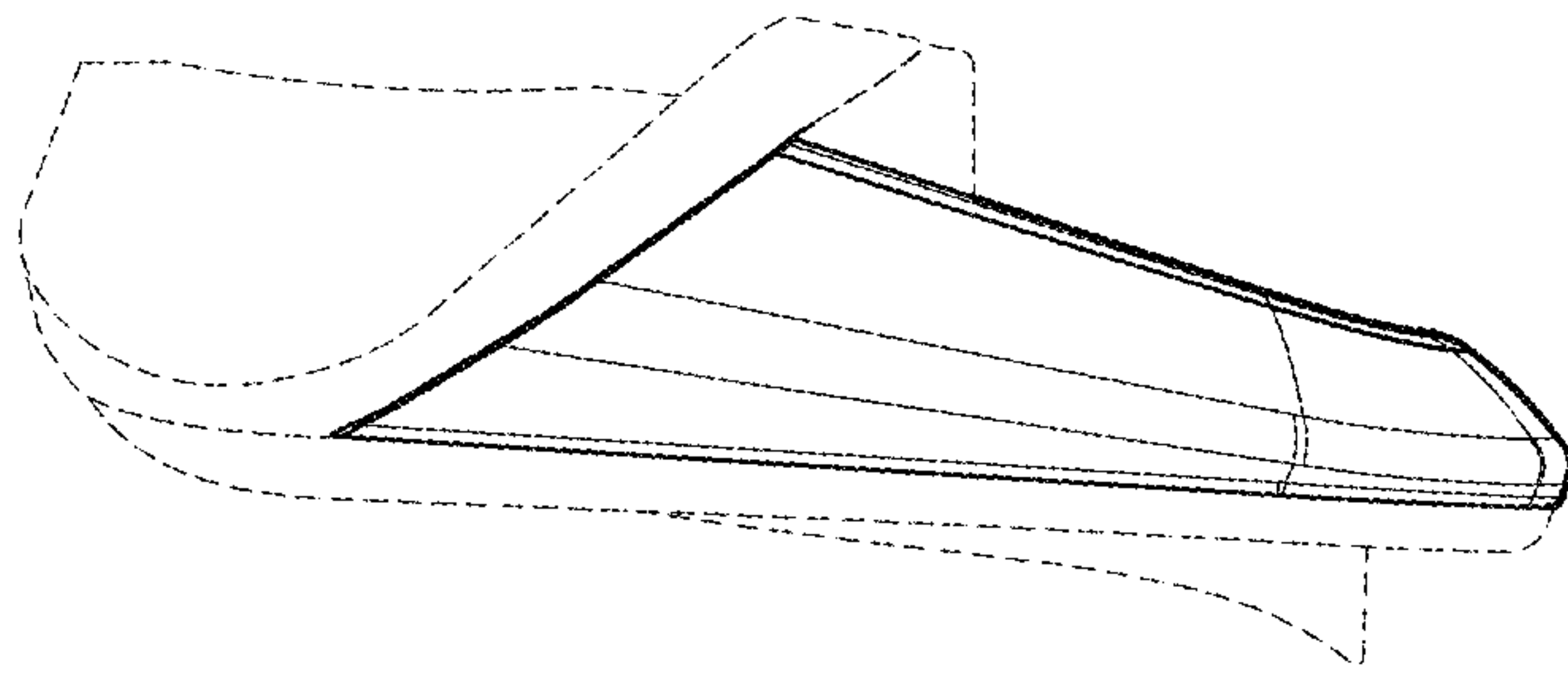


FIG. 5

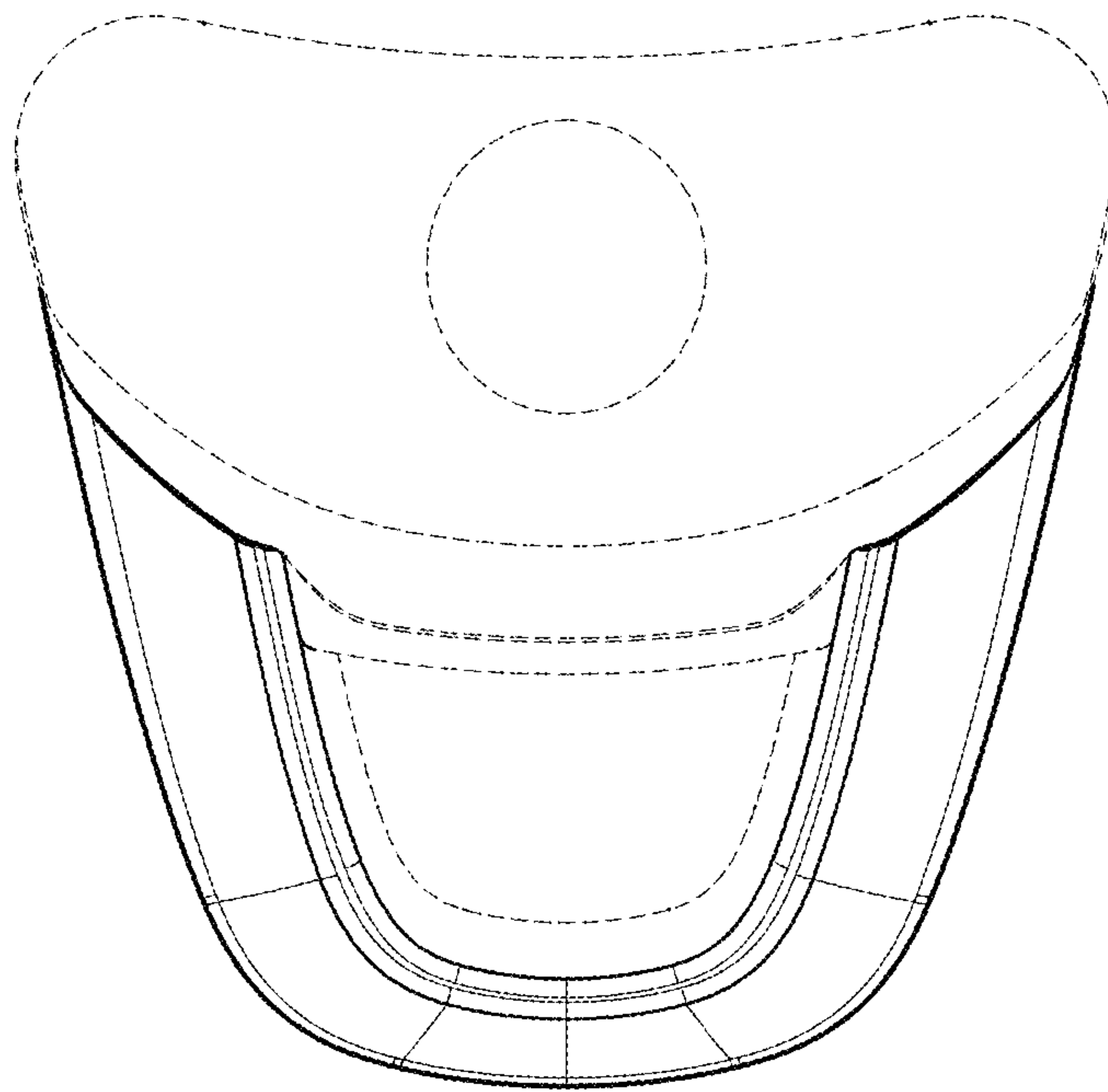


FIG.6



FIG. 7