



US00D763482S

(12) **United States Design Patent**  
**Kao**

(10) **Patent No.:** **US D763,482 S**

(45) **Date of Patent:** **\*\* Aug. 9, 2016**

(54) **VEHICLE LAMP**

(71) Applicant: **TKS INDUSTRIAL CO., LTD.**, Tainan (TW)

(72) Inventor: **Chung-Hsu Kao**, Tainan (TW)

(73) Assignee: **TKS INDUSTRIAL CO., LTD.**, Tainan (TW)

(\*\*) Term: **14 Years**

(21) Appl. No.: **29/495,682**

(22) Filed: **Jul. 2, 2014**

(51) **LOC (10) Cl.** ..... **26-06**

(52) **U.S. Cl.**  
USPC ..... **D26/28**

(58) **Field of Classification Search**  
USPC ..... D26/28-36; 362/459-468, 475-478, 362/485, 486, 487  
CPC ..... B60Q 1/02; B60Q 1/04  
See application file for complete search history.

(56) **References Cited**

**U.S. PATENT DOCUMENTS**

D593,691 S \* 6/2009 Habib ..... D26/28  
D674,941 S \* 1/2013 Lai ..... D26/28  
D706,472 S \* 6/2014 Lai ..... D26/28

D707,861 S \* 6/2014 Lai ..... D26/28  
D717,983 S \* 11/2014 Lai ..... D26/28  
D718,894 S \* 12/2014 Lai ..... D26/28  
D721,196 S \* 1/2015 Lai ..... D26/28  
D721,450 S \* 1/2015 Lai ..... D26/28

\* cited by examiner

*Primary Examiner* — Lakiya Rogers

*Assistant Examiner* — Harold Blackwell, II

(74) *Attorney, Agent, or Firm* — Blakely Sokoloff Taylor & Zafman LLP

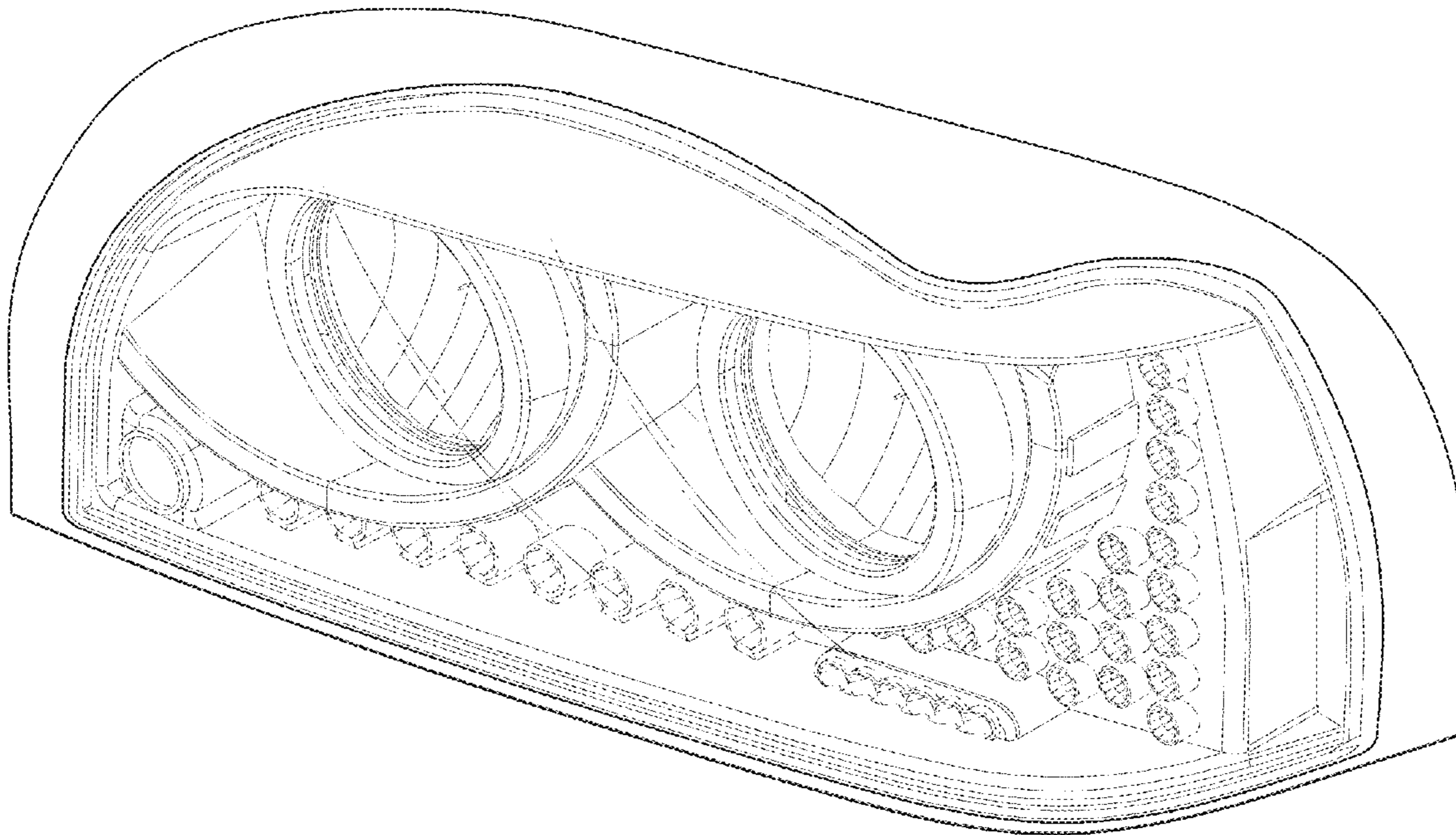
(57) **CLAIM**

The ornamental design for vehicle lamp, as shown and described.

**DESCRIPTION**

FIG. 1 is a perspective view of vehicle lamp showing my new design;  
FIG. 2 is a front elevational view thereof;  
FIG. 3 is a rear elevational view thereof;  
FIG. 4 is a left side elevational view thereof;  
FIG. 5 is a right side elevational view thereof;  
FIG. 6 is a top plan view thereof; and,  
FIG. 7 is a bottom plan view thereof.  
The broken lines in the FIGS. 1-7 illustrate portions of the vehicle lamp which form no part of the claimed design.

**1 Claim, 7 Drawing Sheets**



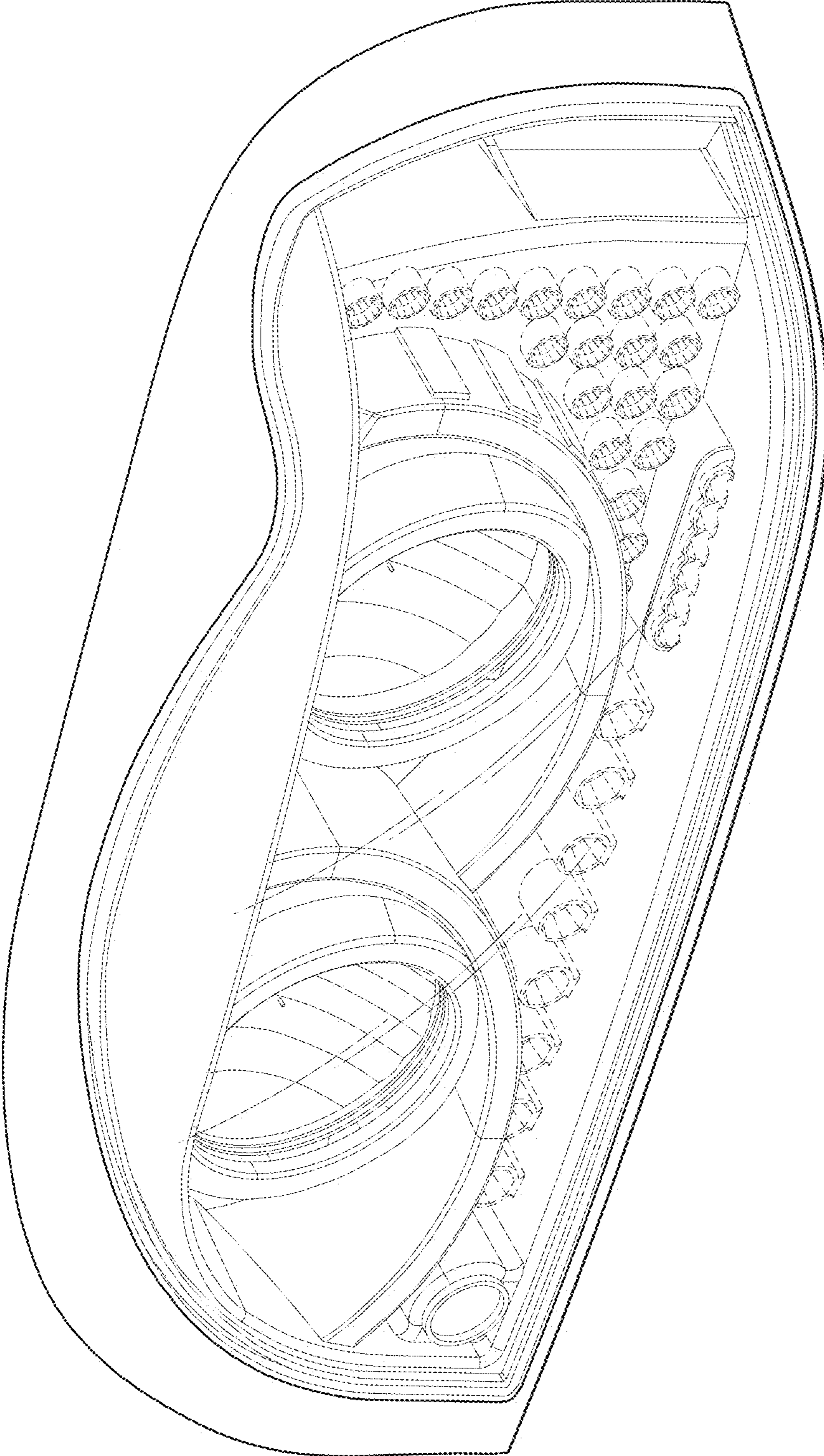


FIG.1

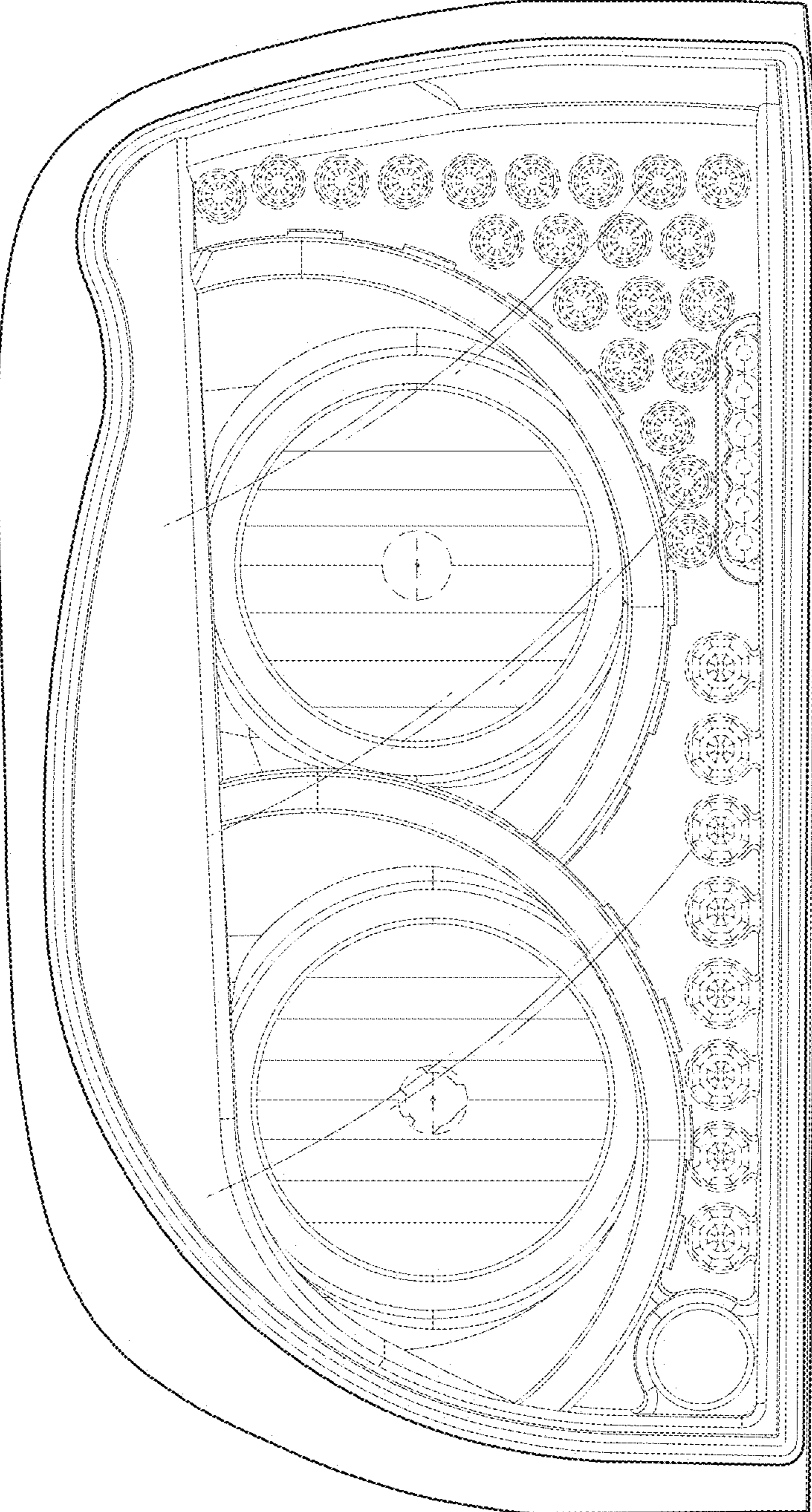


FIG. 2

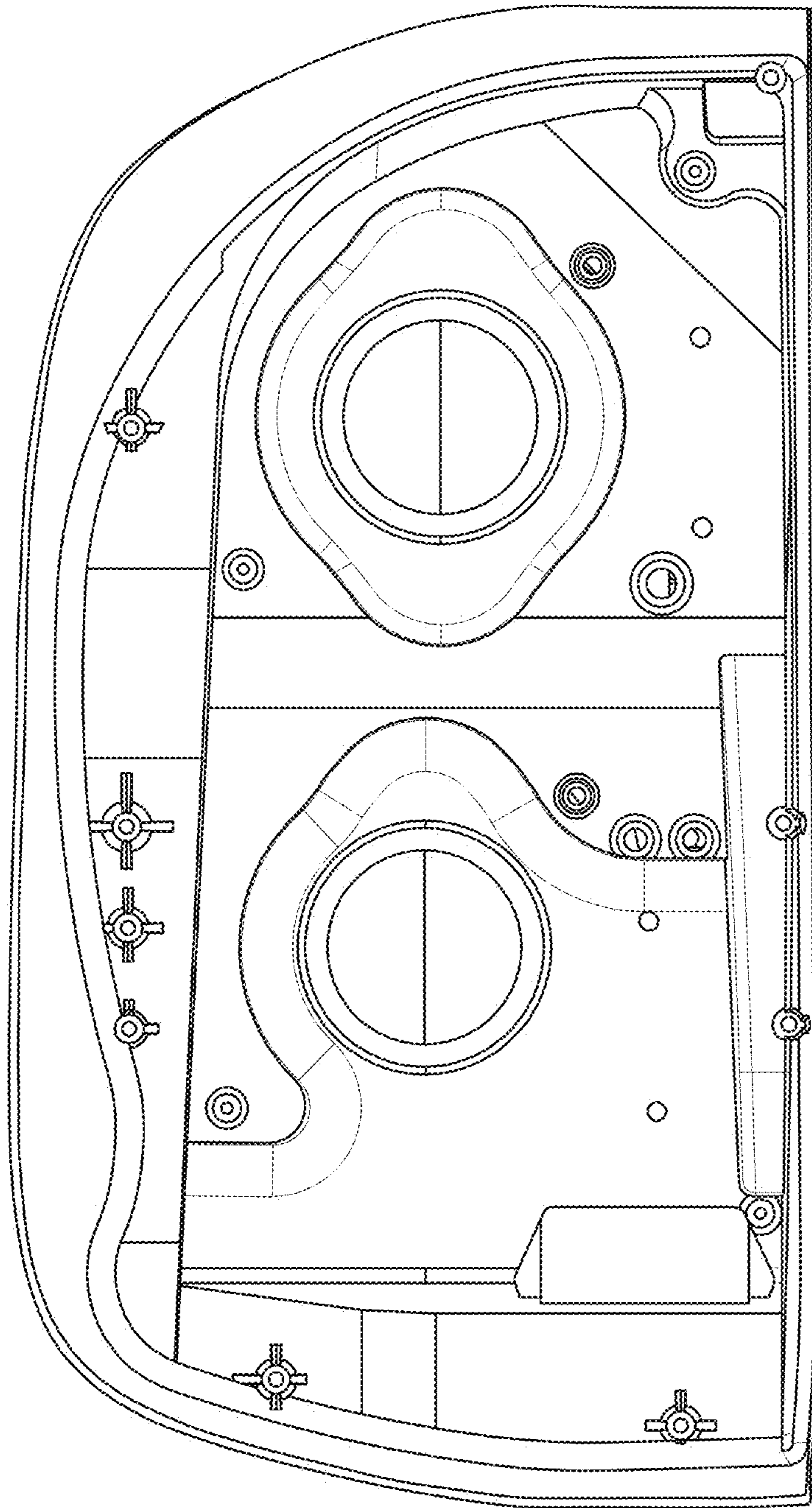


FIG.3

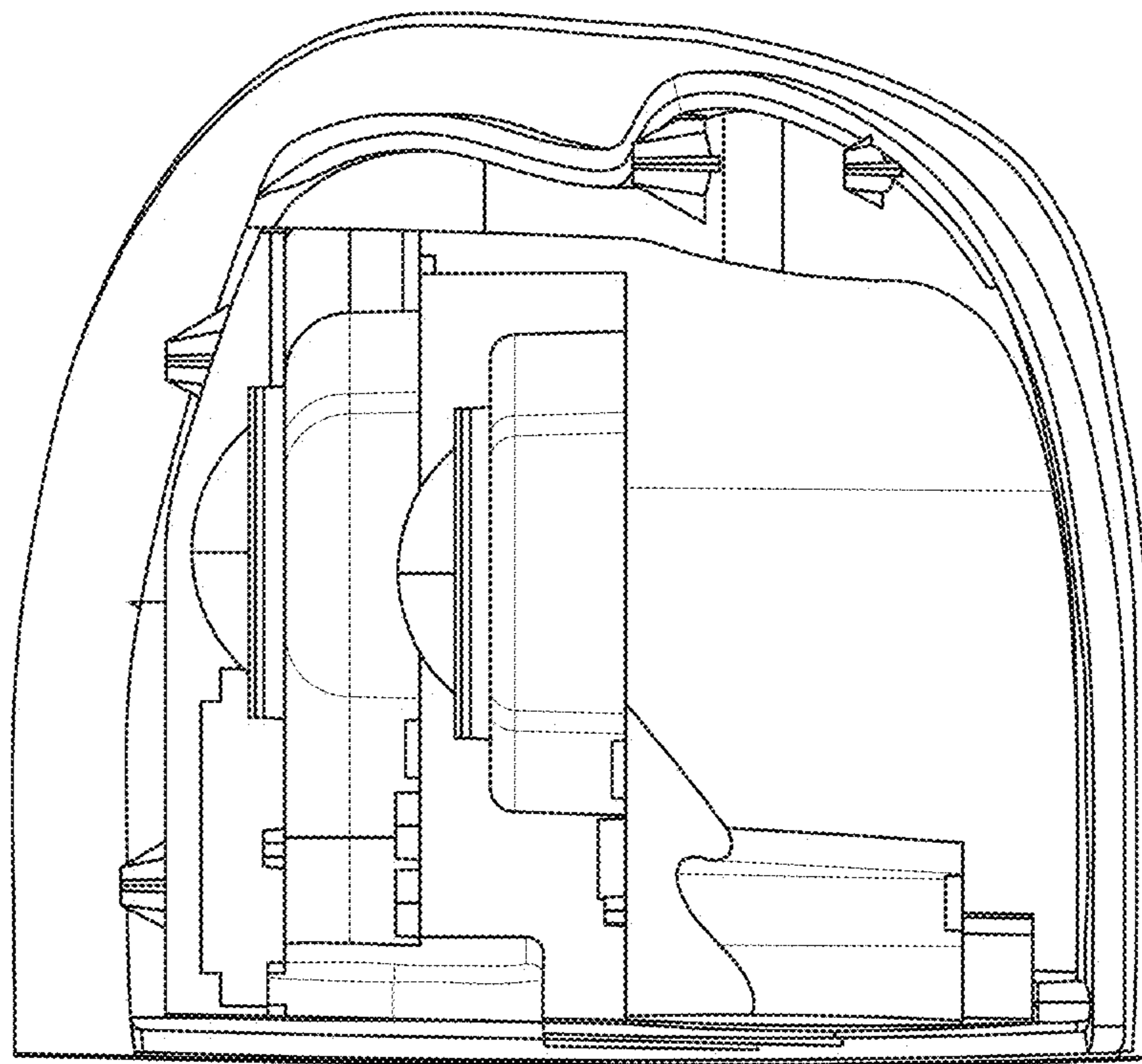


FIG.4

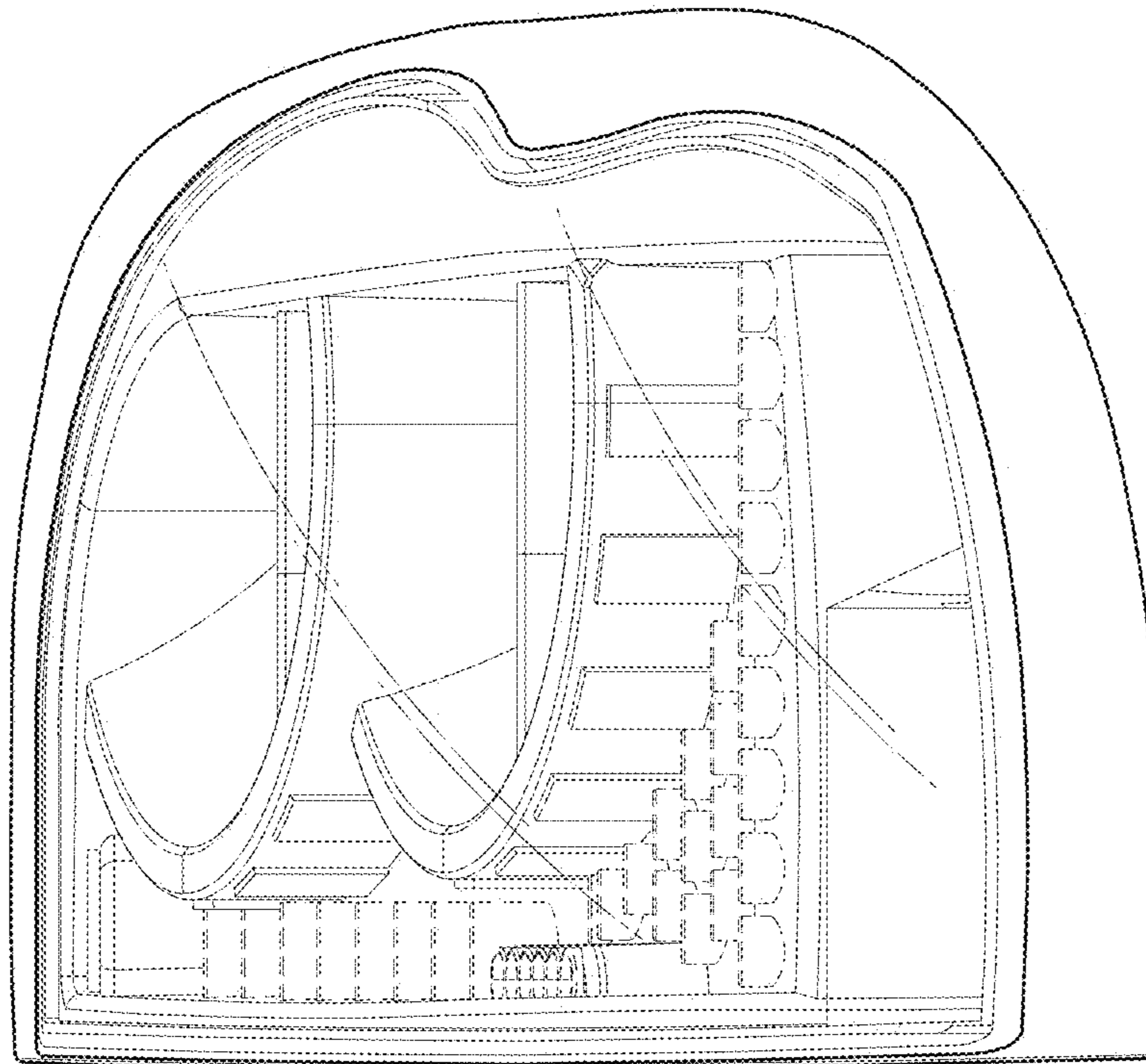


FIG.5

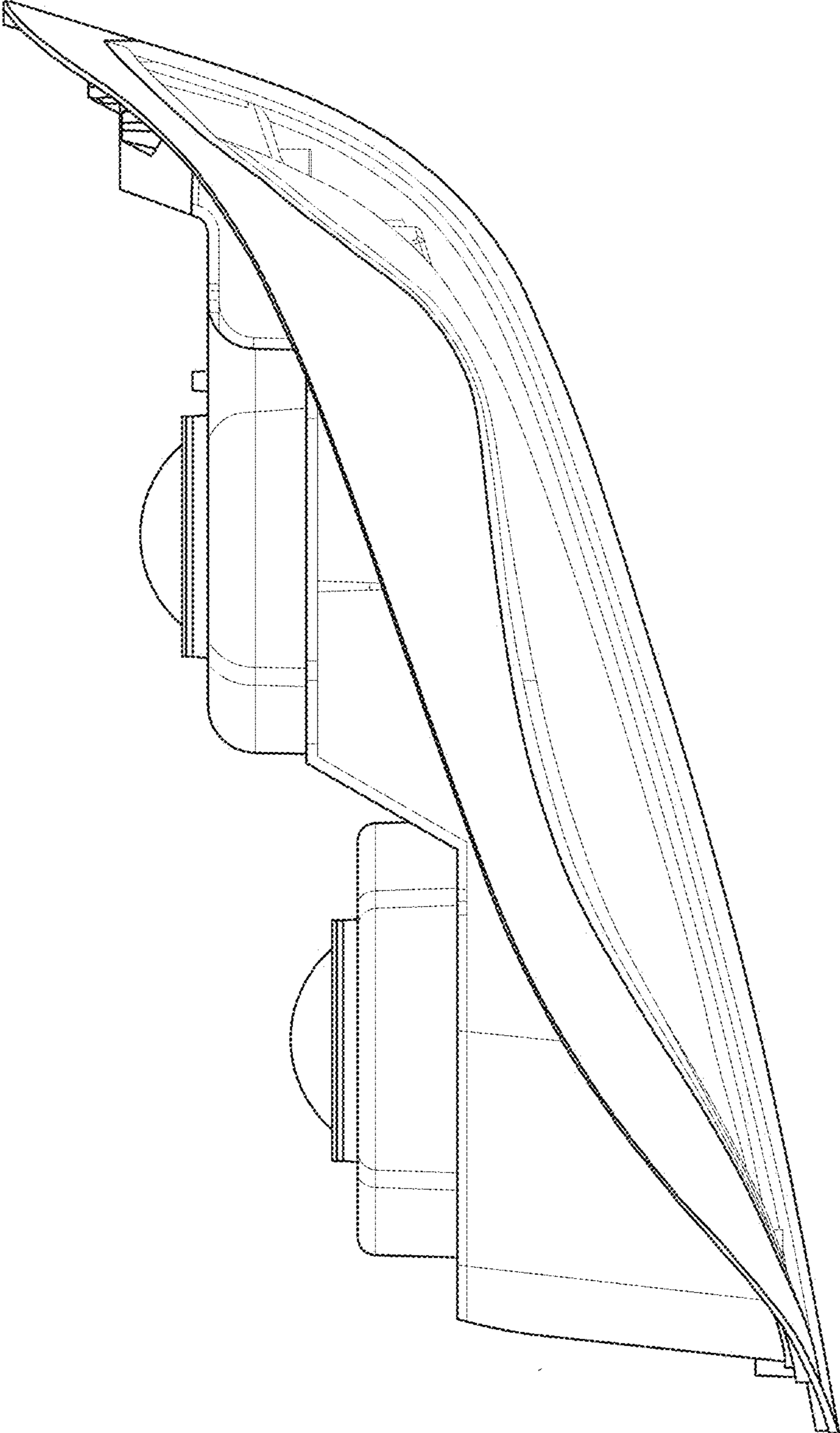


FIG.6

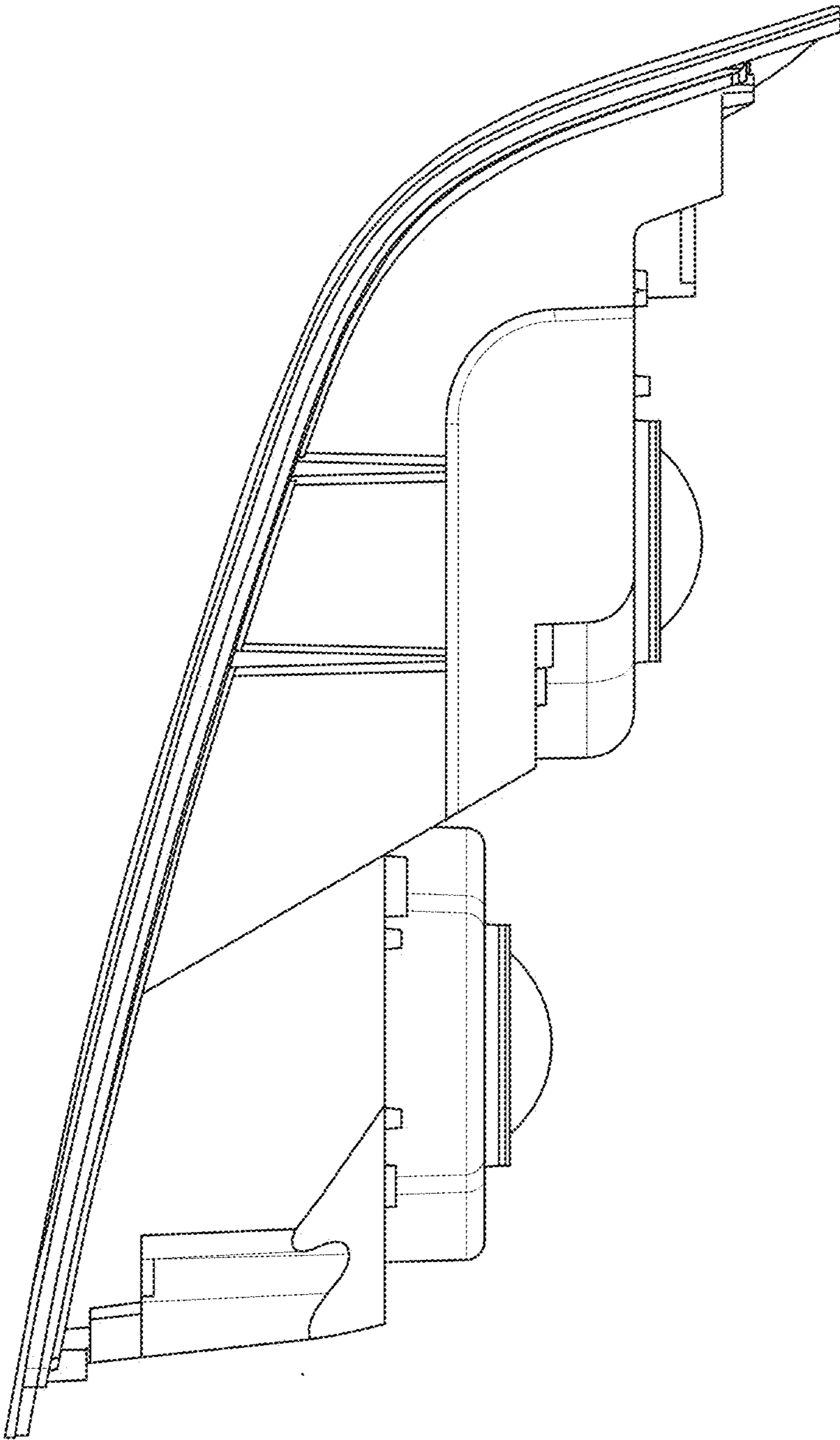


FIG.7