



US00D763478S

(12) **United States Design Patent**
Lee

(10) **Patent No.:** **US D763,478 S**
(45) **Date of Patent:** **** Aug. 9, 2016**

(54) **LAMP**

(56) **References Cited**

(71) Applicant: **ICEPIPE Corporation**, Seoul (KR)

U.S. PATENT DOCUMENTS

(72) Inventor: **Dong Ju Lee**, Gyeonggi-do (KR)

D600,367 S *	9/2009	Bertram	D26/2
D660,468 S *	5/2012	Mase	D26/2
D673,699 S *	1/2013	Yao	D26/2
D695,431 S *	12/2013	Lay	D26/2
D698,049 S *	1/2014	Jiang	D26/2
D728,834 S *	5/2015	Taylor	D26/2
D732,211 S *	6/2015	Cho	D26/2

(73) Assignee: **Icepipe Corporation**, Seoul (KR)

(**) Term: **15 Years**

* cited by examiner

(21) Appl. No.: **29/528,387**

Primary Examiner — Marcus Jackson

(22) Filed: **May 28, 2015**

(74) *Attorney, Agent, or Firm* — Nixon Peabody LLP;
Khaled Shami

(30) **Foreign Application Priority Data**

Dec. 30, 2014 (KR) 30-2014-0064256

(57) **CLAIM**

The ornamental design of a lamp, as shown and described.

(51) **LOC (10) Cl.** **26-04**

DESCRIPTION

(52) **U.S. Cl.**
USPC **D26/2**

(58) **Field of Classification Search**
USPC D26/1-4; 313/313, 315, 316, 317, 493;
315/52, 53, 56, 57, 58
CPC H01J 5/48; H01J 5/50; H01J 19/54;
F21V 5/00; F21K 9/13; F21K 9/135; F21K
9/1375

FIG. 1 is a perspective view of the design;
FIG. 2 is a front view of the design;
FIG. 3 is a rear view of the design;
FIG. 4 is a left view of the design;
FIG. 5 is a right view of the design;
FIG. 6 is a plan view of the design; and,
FIG. 7 is a bottom view of the design.

See application file for complete search history.

1 Claim, 5 Drawing Sheets

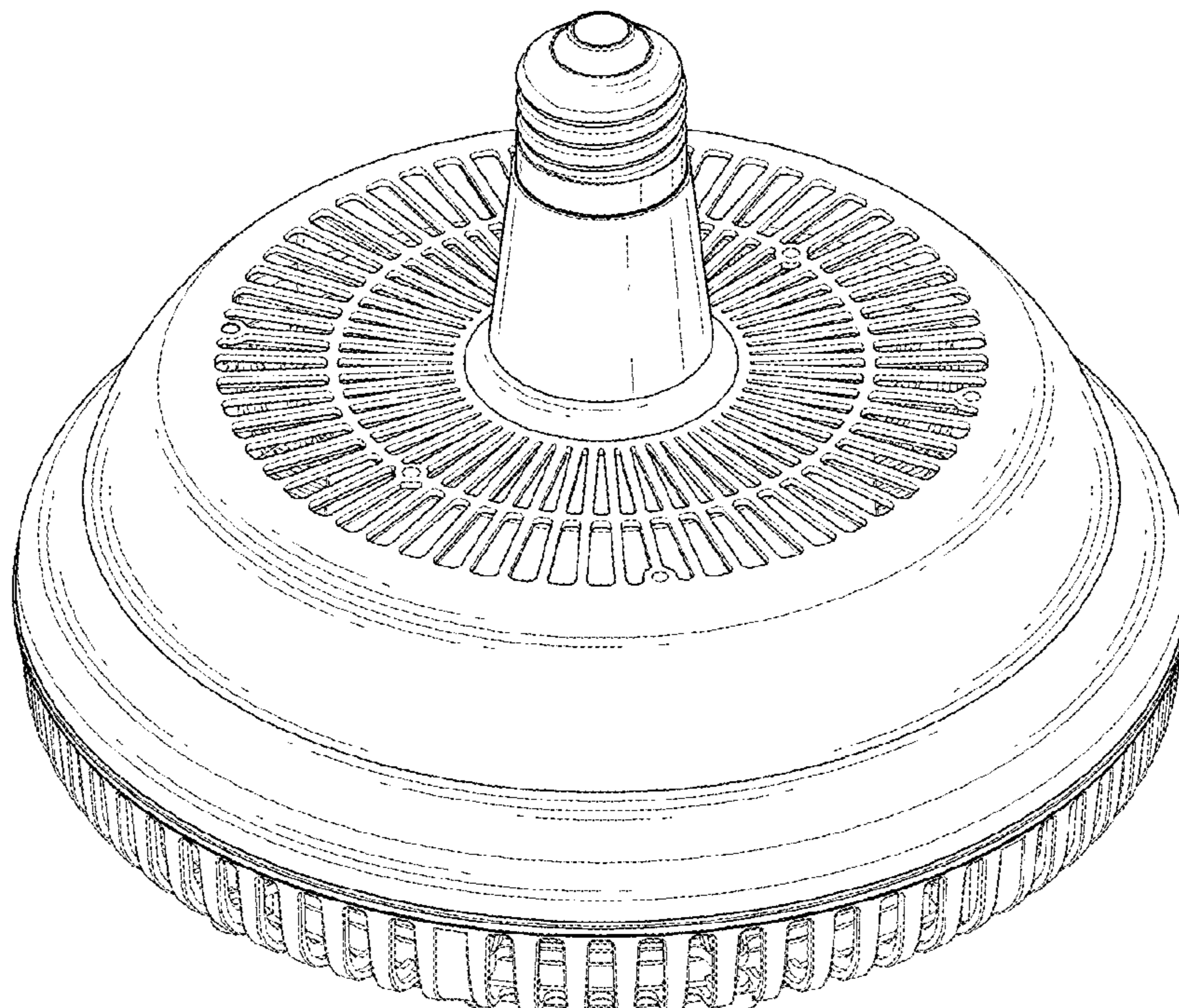


FIG. 1

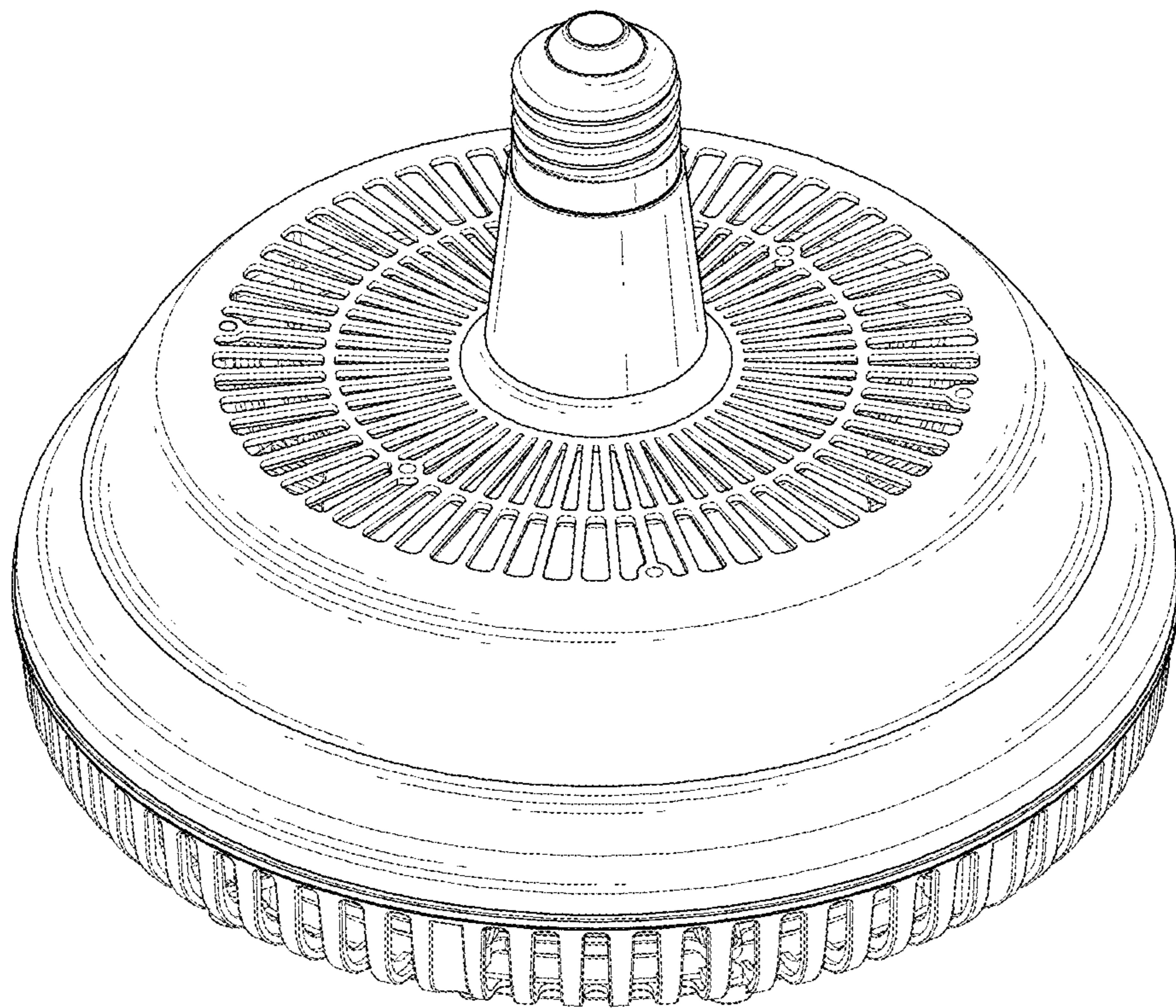


FIG. 2

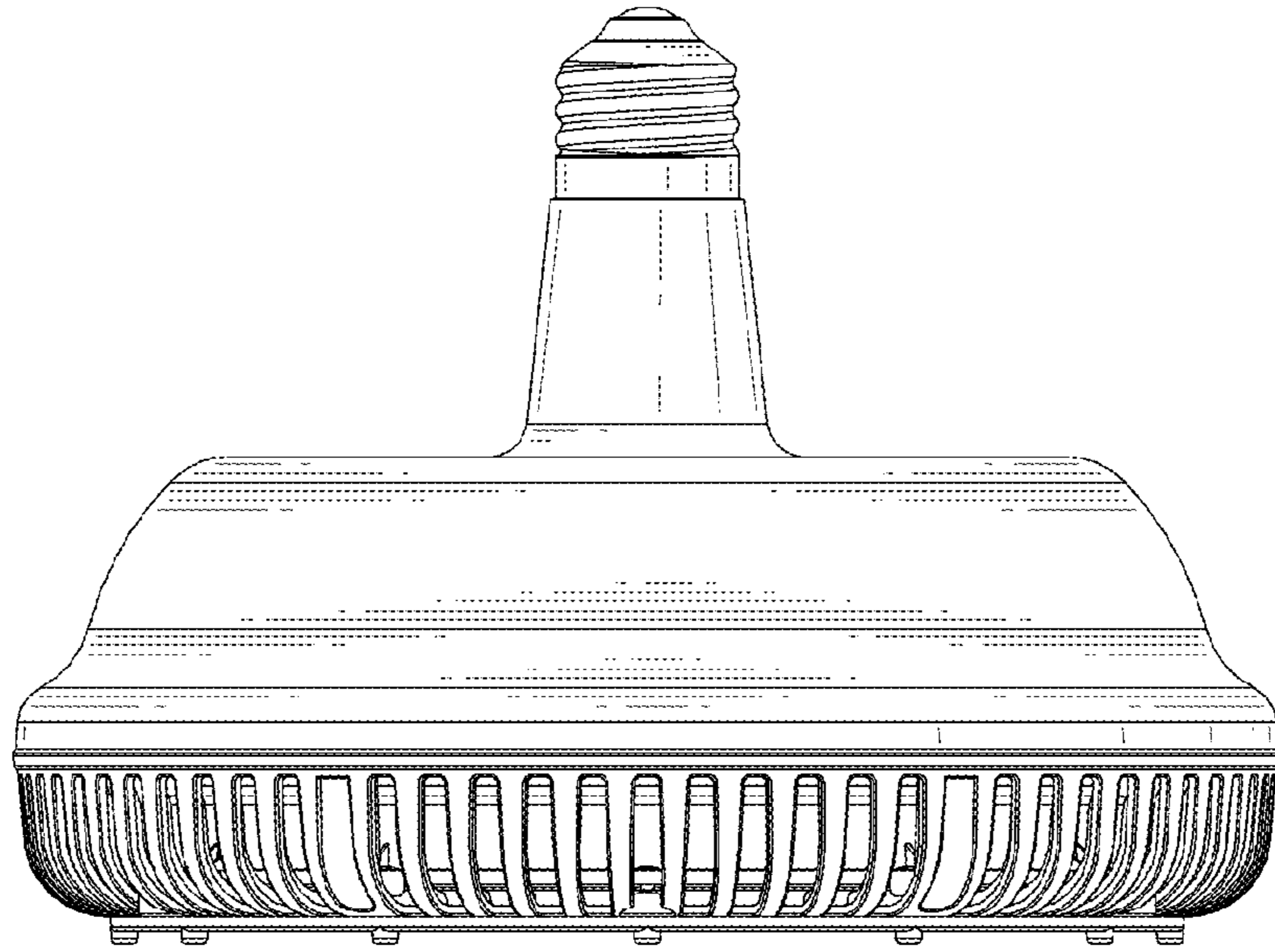


FIG. 3

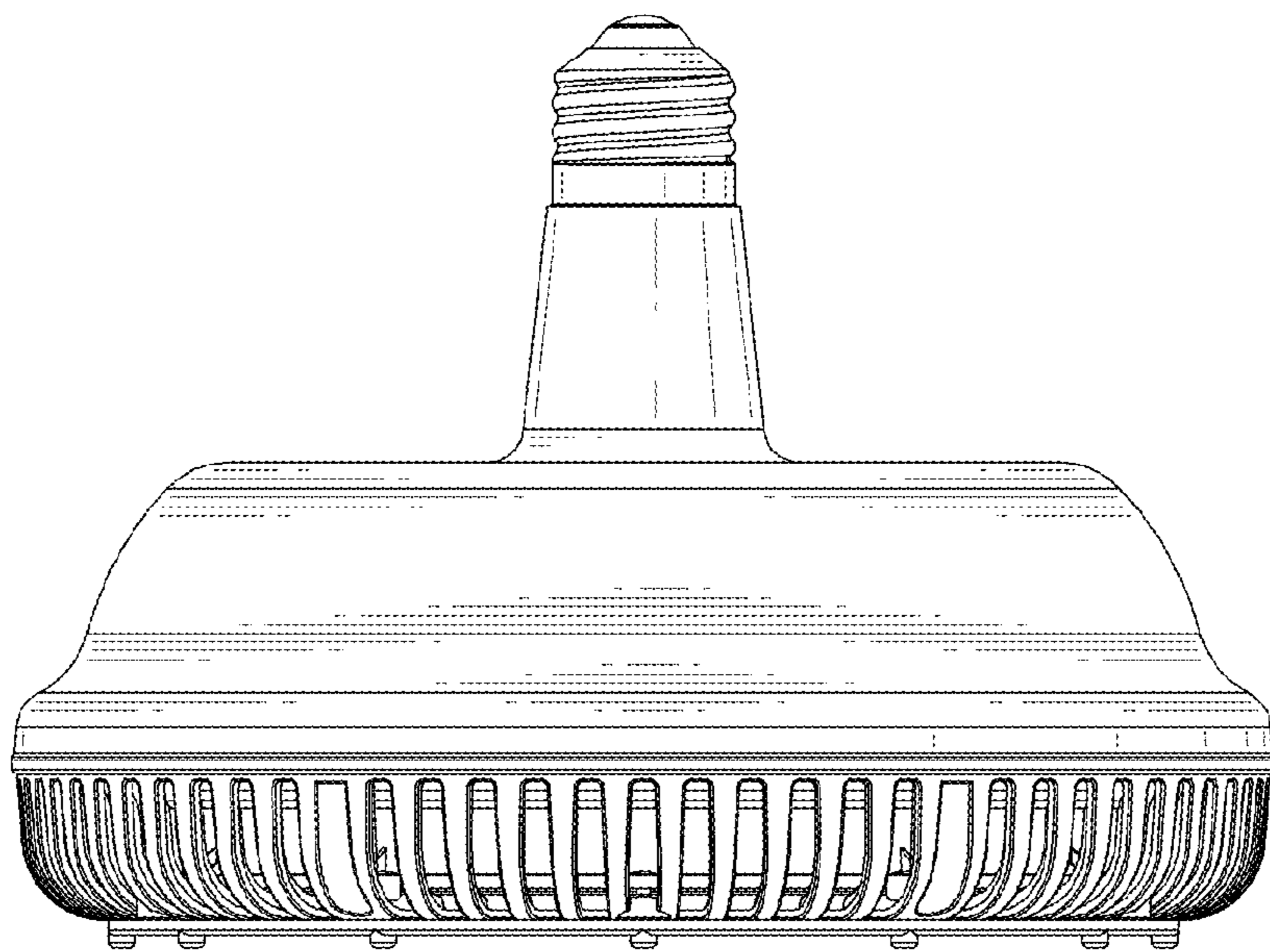


FIG. 4

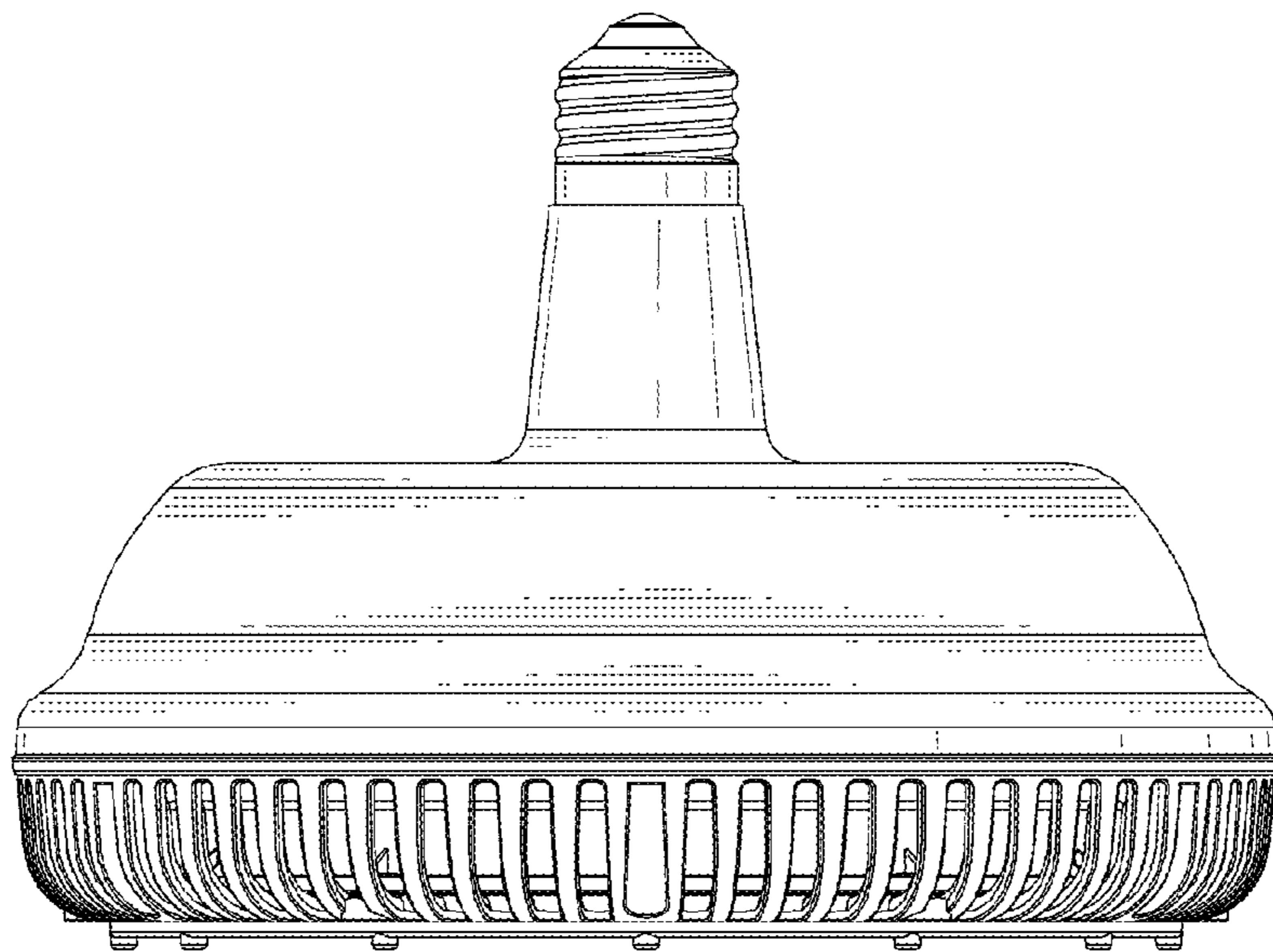


FIG. 5

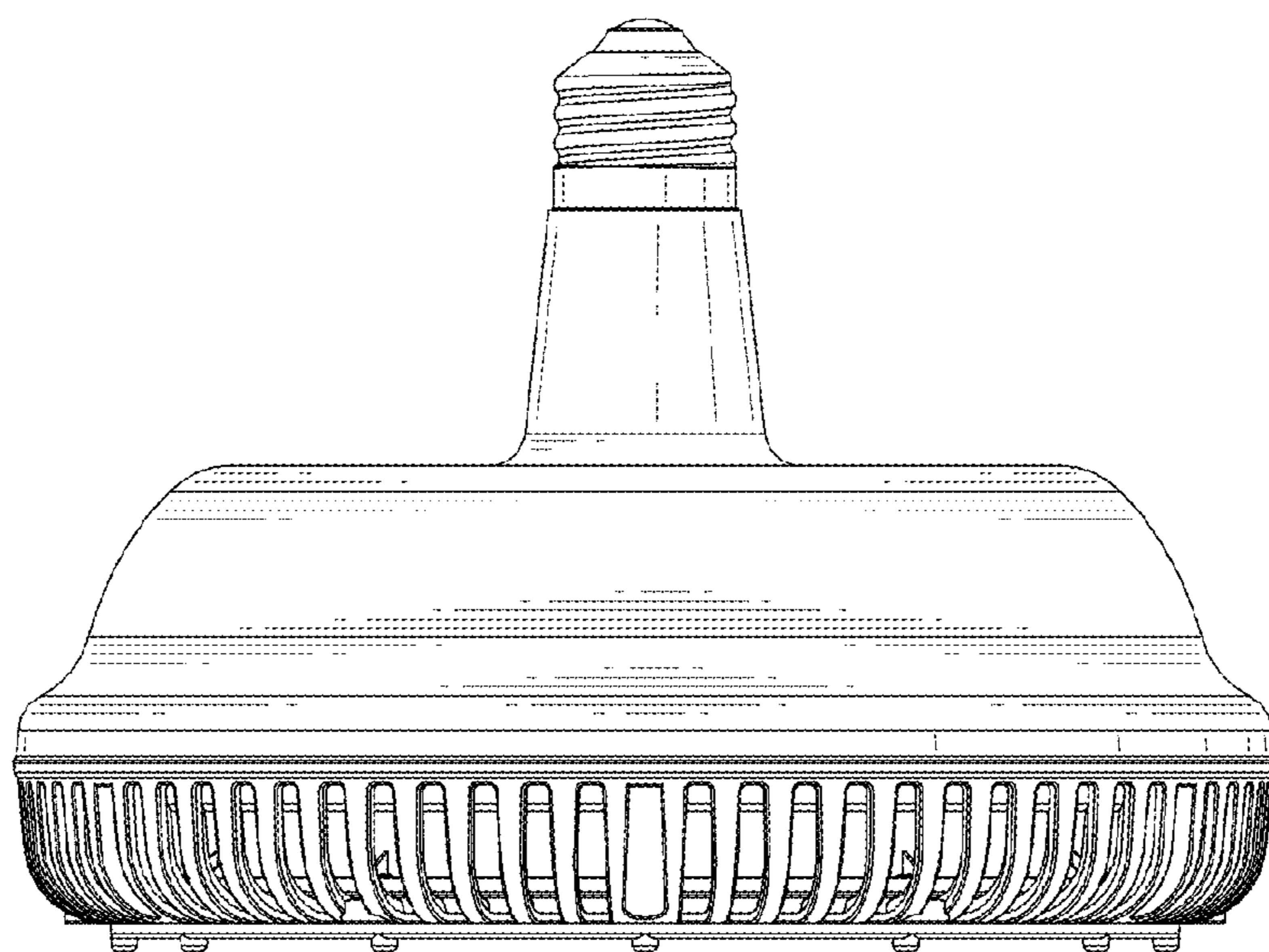


FIG. 6

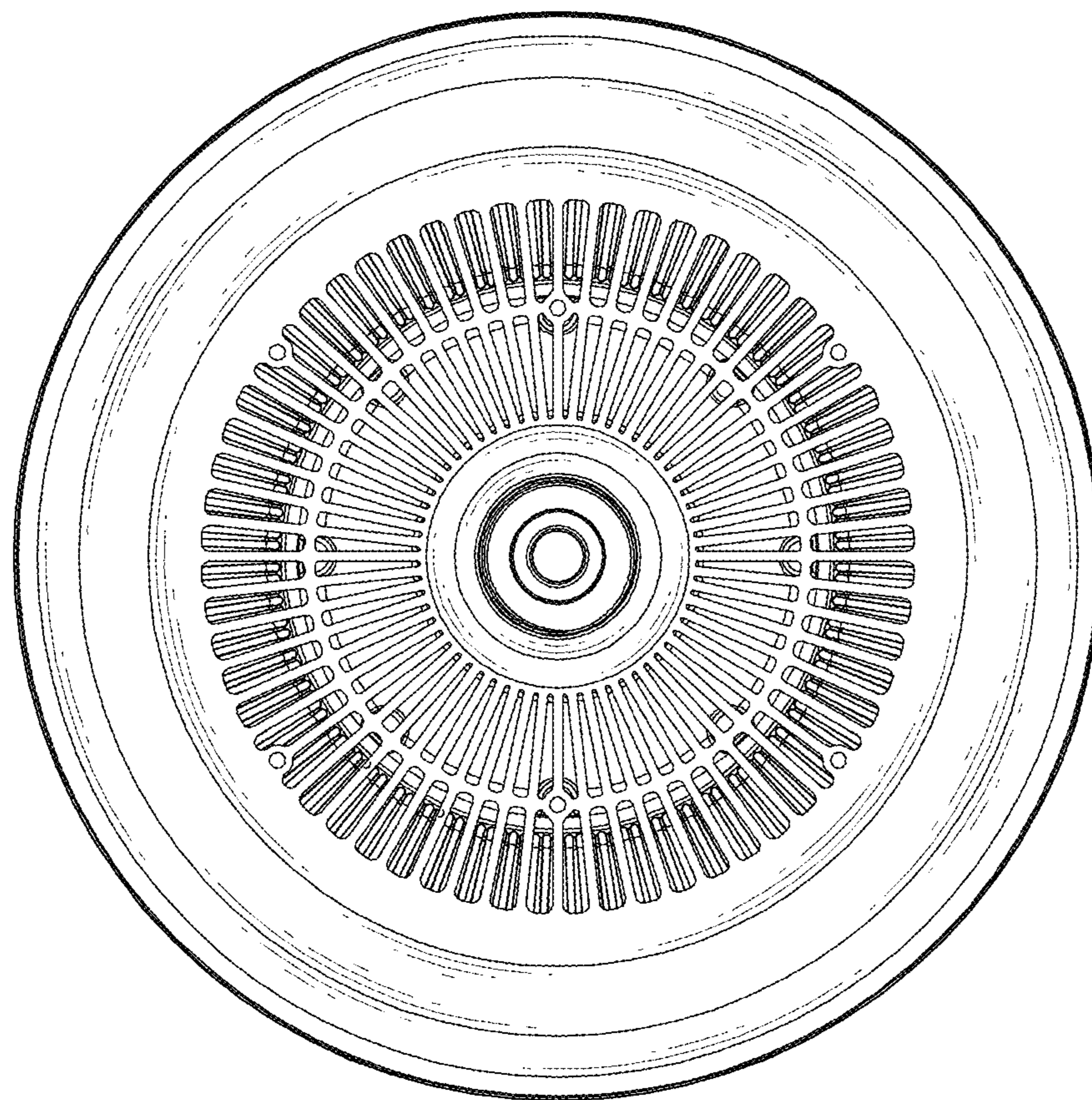


FIG. 7

