

US00D763475S

(12) **United States Design Patent**
Vidal

(10) **Patent No.:** **US D763,475 S**

(45) **Date of Patent:** **** *Aug. 9, 2016**

(54) **LOW-PROFILE LED LIGHTBULB**
(71) Applicant: **GREEN CREATIVE, LLC**, South San Francisco, CA (US)

(72) Inventor: **Guillaume Vidal**, Mende (FR)

(73) Assignee: **Green Creative Ltd.**, Hong Kong (CN)

(*) Notice: This patent is subject to a terminal disclaimer.

(**) Term: **14 Years**

(21) Appl. No.: **29/474,941**

(22) Filed: **Mar. 24, 2015**

(51) **LOC (10) Cl.** **26-04**

(52) **U.S. Cl.**
USPC **D26/2**

(58) **Field of Classification Search**
USPC D26/1-4, 113, 118; 313/313, 315, 316, 313/317, 318, 493; 315/32, 46, 52, 53, 56, 315/57, 58; D13/179
CPC F21K 9/135; F21K 9/1375; F21K 9/13
See application file for complete search history.

(56) **References Cited**

U.S. PATENT DOCUMENTS

D662,627 S * 6/2012 Pan D26/2
D670,414 S * 11/2012 Guohui D26/2
D673,697 S * 1/2013 Van De Ven D26/2
D687,171 S * 7/2013 Brown D26/2

D687,172 S * 7/2013 Brown D26/2
D687,173 S * 7/2013 Brown D26/2
D705,456 S * 5/2014 Yan D26/2
D743,585 S * 11/2015 Ding D26/2
D744,121 S * 11/2015 Zolotykh D26/2
D744,122 S * 11/2015 Zolotykh D26/2
2010/0225220 A1* 9/2010 Tanaka F21K 9/13
313/46
2011/0074289 A1* 3/2011 Van De Ven F21K 9/137
315/32

* cited by examiner

Primary Examiner — Ian Simmons

Assistant Examiner — Harold Blackwell, II

(74) *Attorney, Agent, or Firm* — James A. Gavney, Jr.; JAG Patent Services

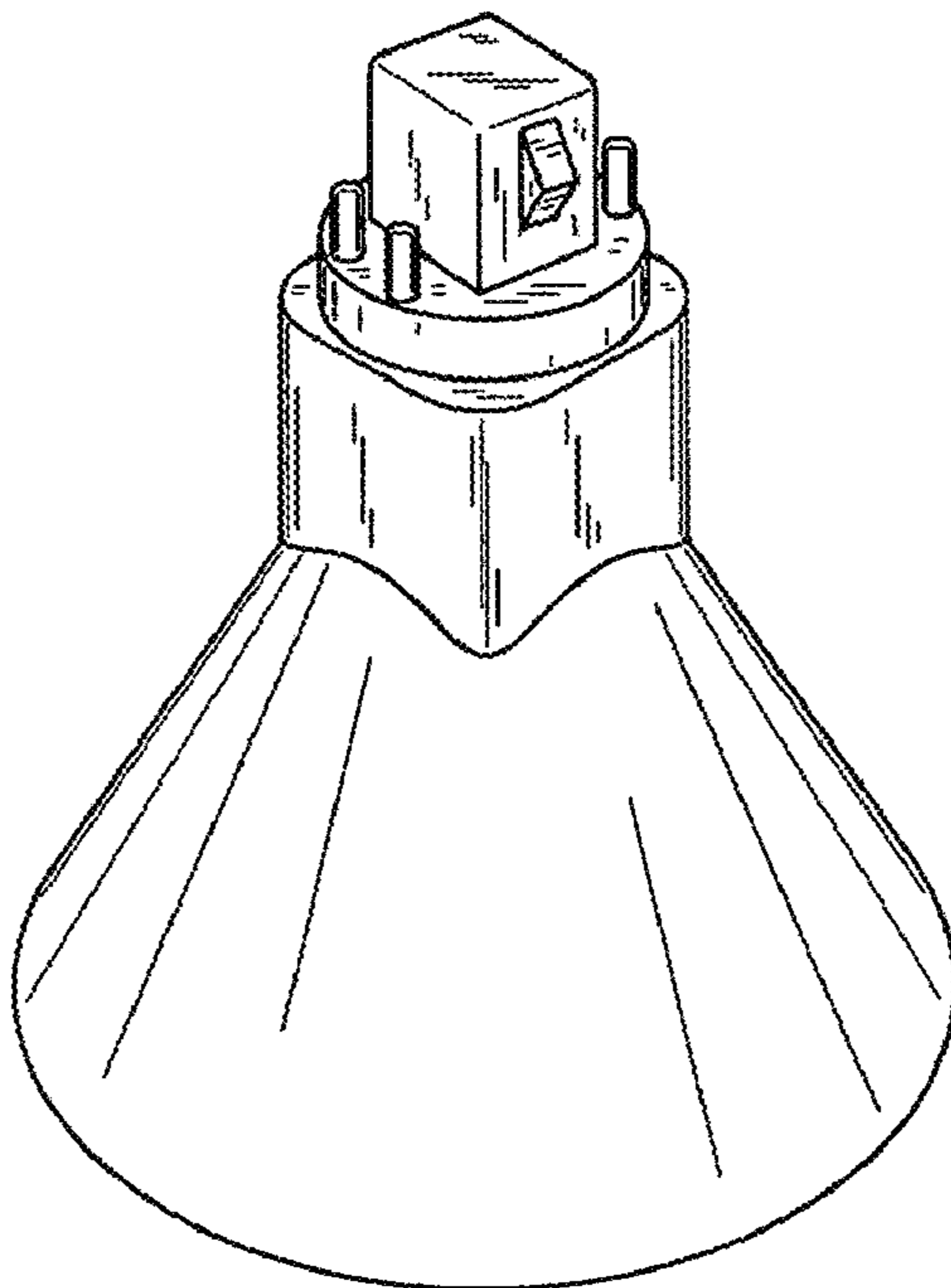
(57) **CLAIM**

I claim the ornamental design for a low-profile LED lightbulb, as shown and described.

DESCRIPTION

FIG. 1 is a perspective view of a low-profile LED lightbulb showing my new design;
FIG. 2 is a bottom view of the low-profile LED lightbulb thereof;
FIG. 3 is a top view of low-profile LED lightbulb thereof;
FIG. 4 is a front side or back side view of the low-profile LED lightbulb thereof; and,
FIG. 5 is a right side or a left side view of the low-profile LED lightbulb thereof.

1 Claim, 2 Drawing Sheets



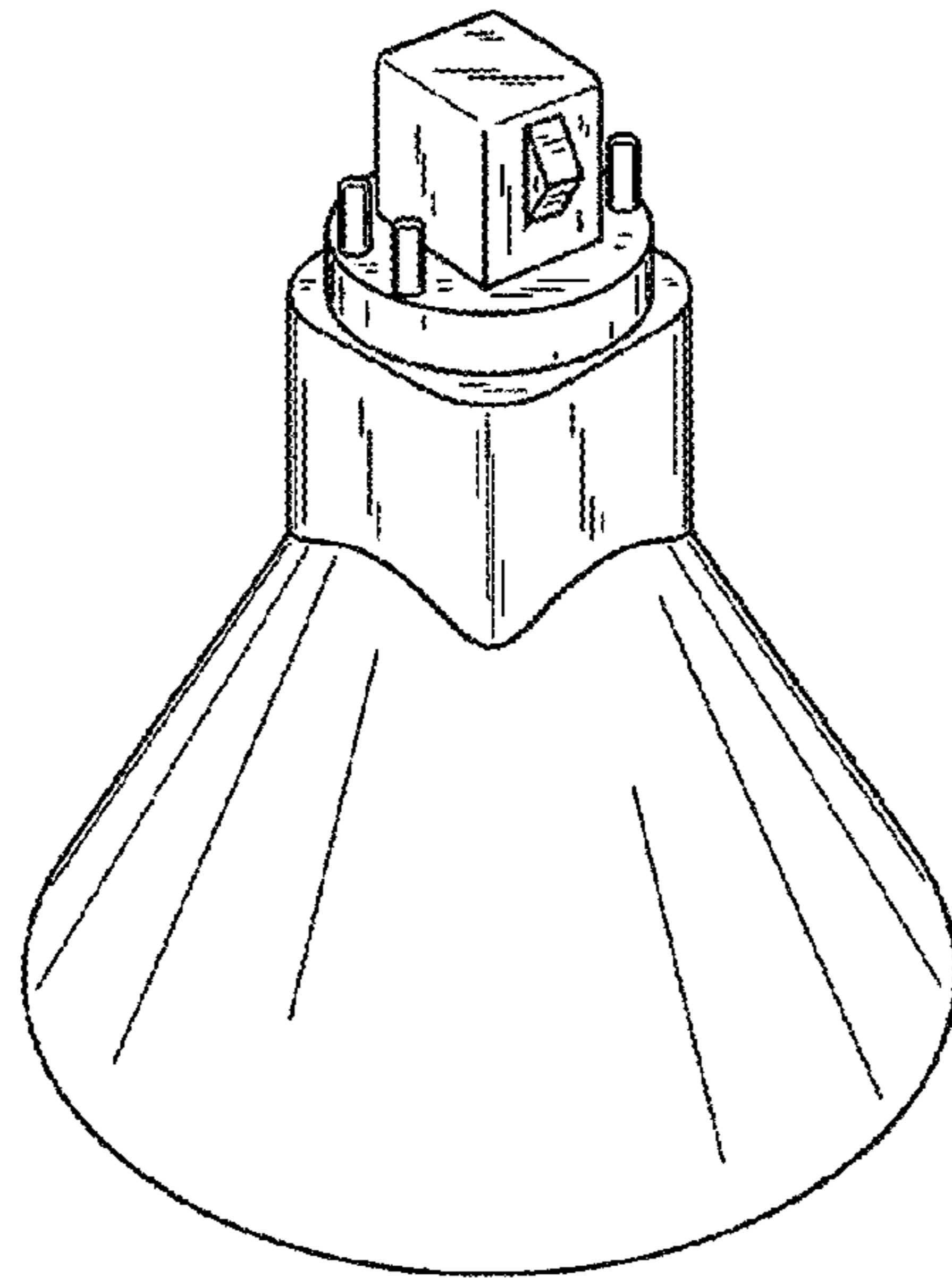


FIG. 1

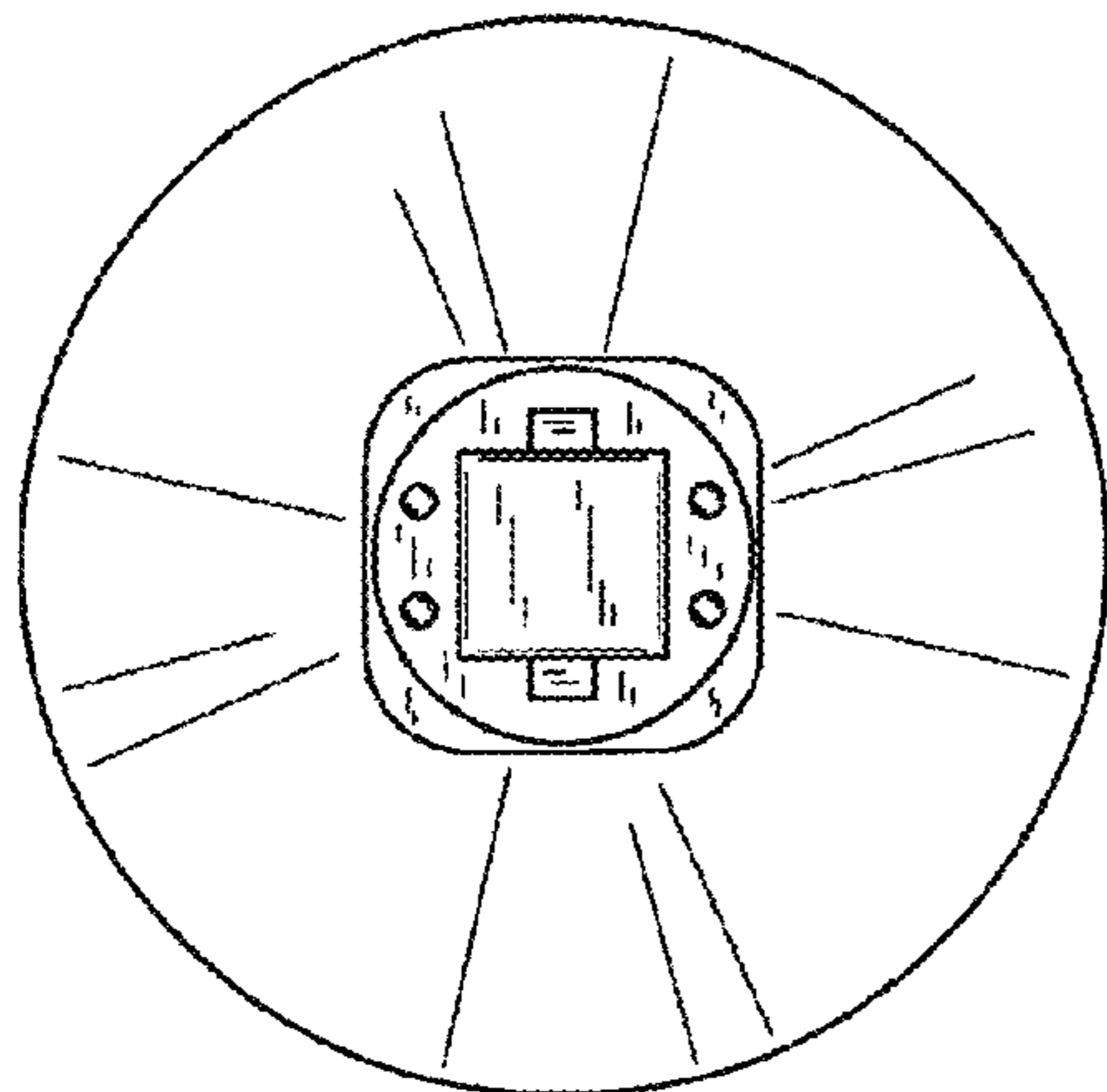


FIG. 2

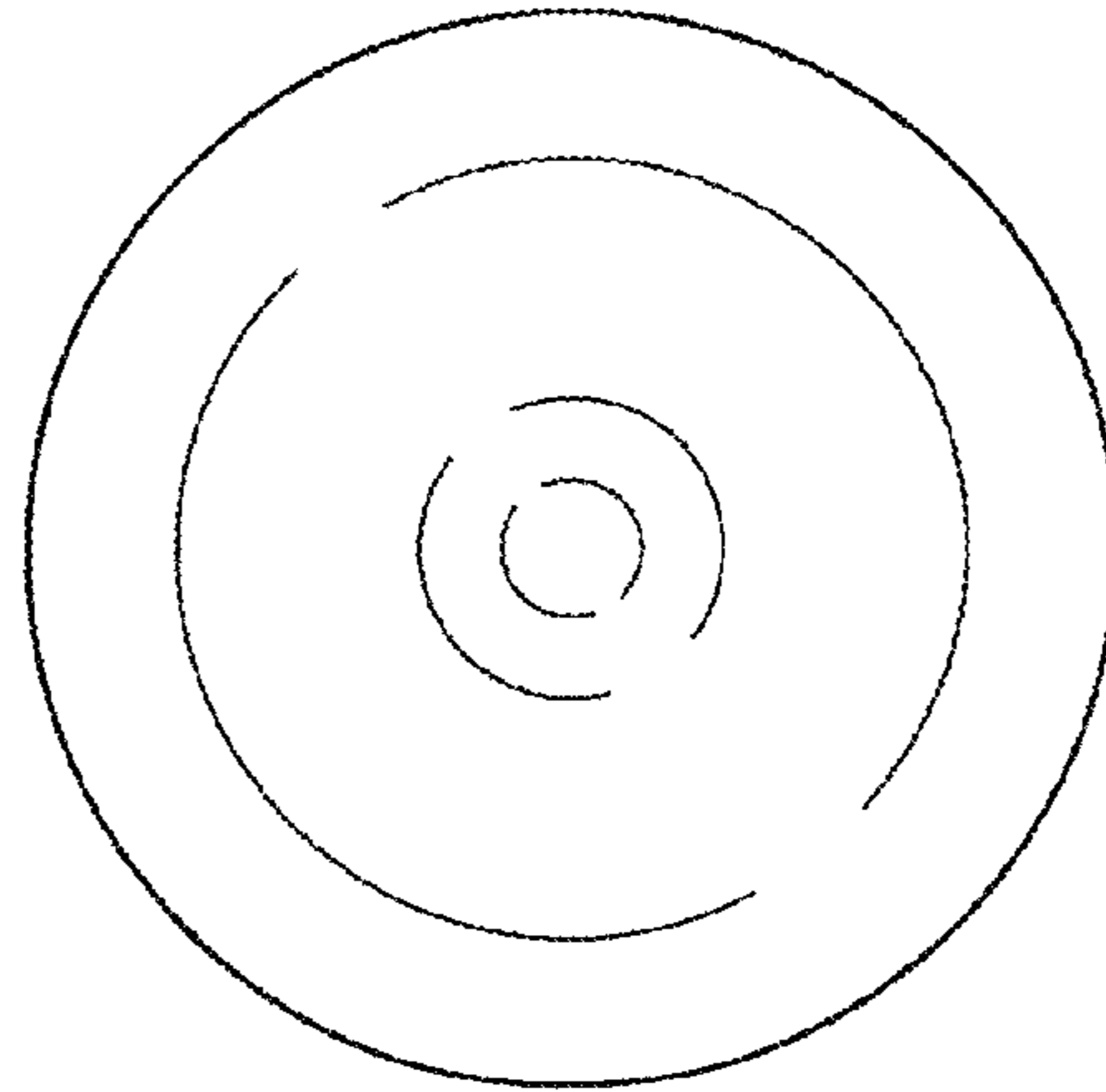


FIG. 3

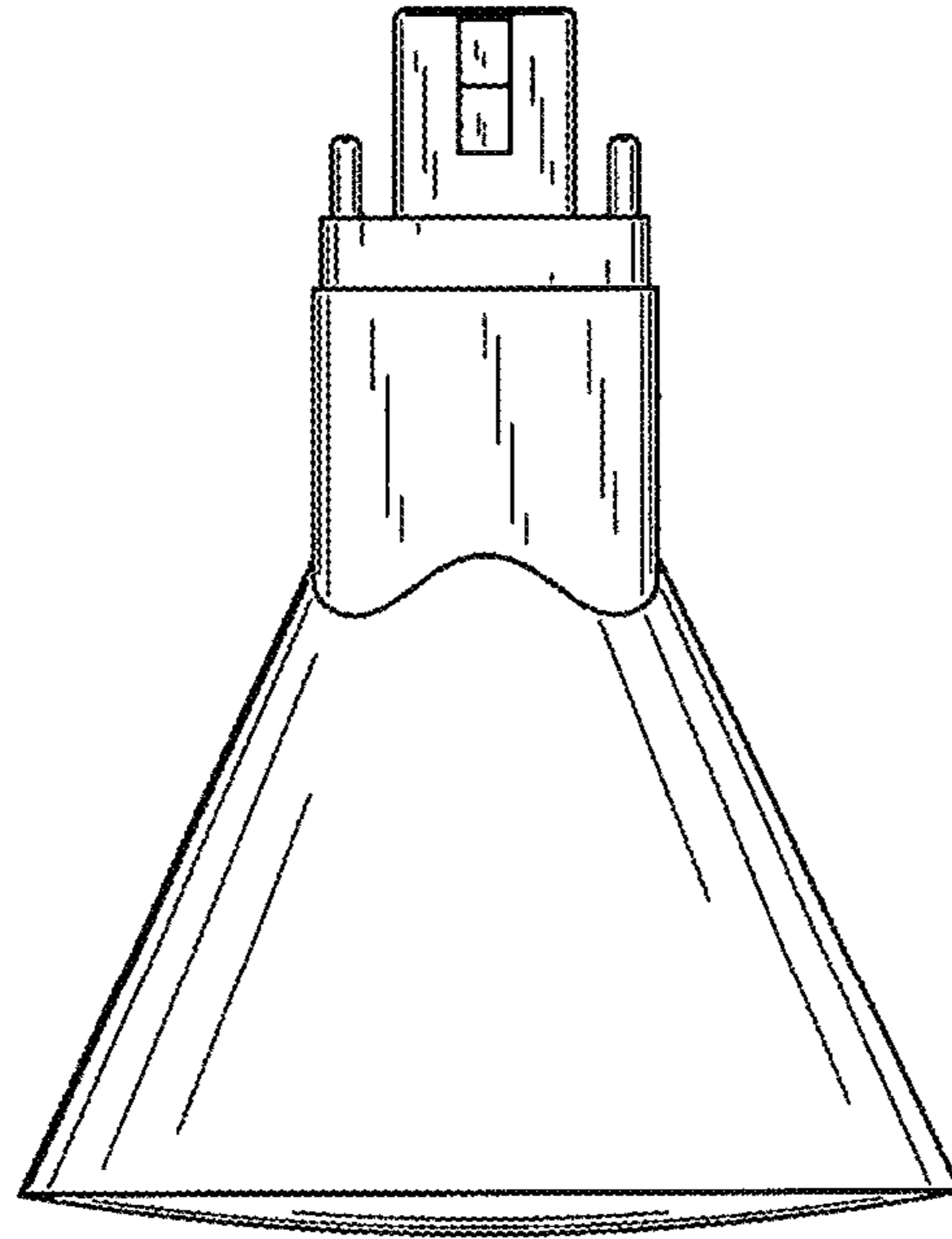


FIG. 4

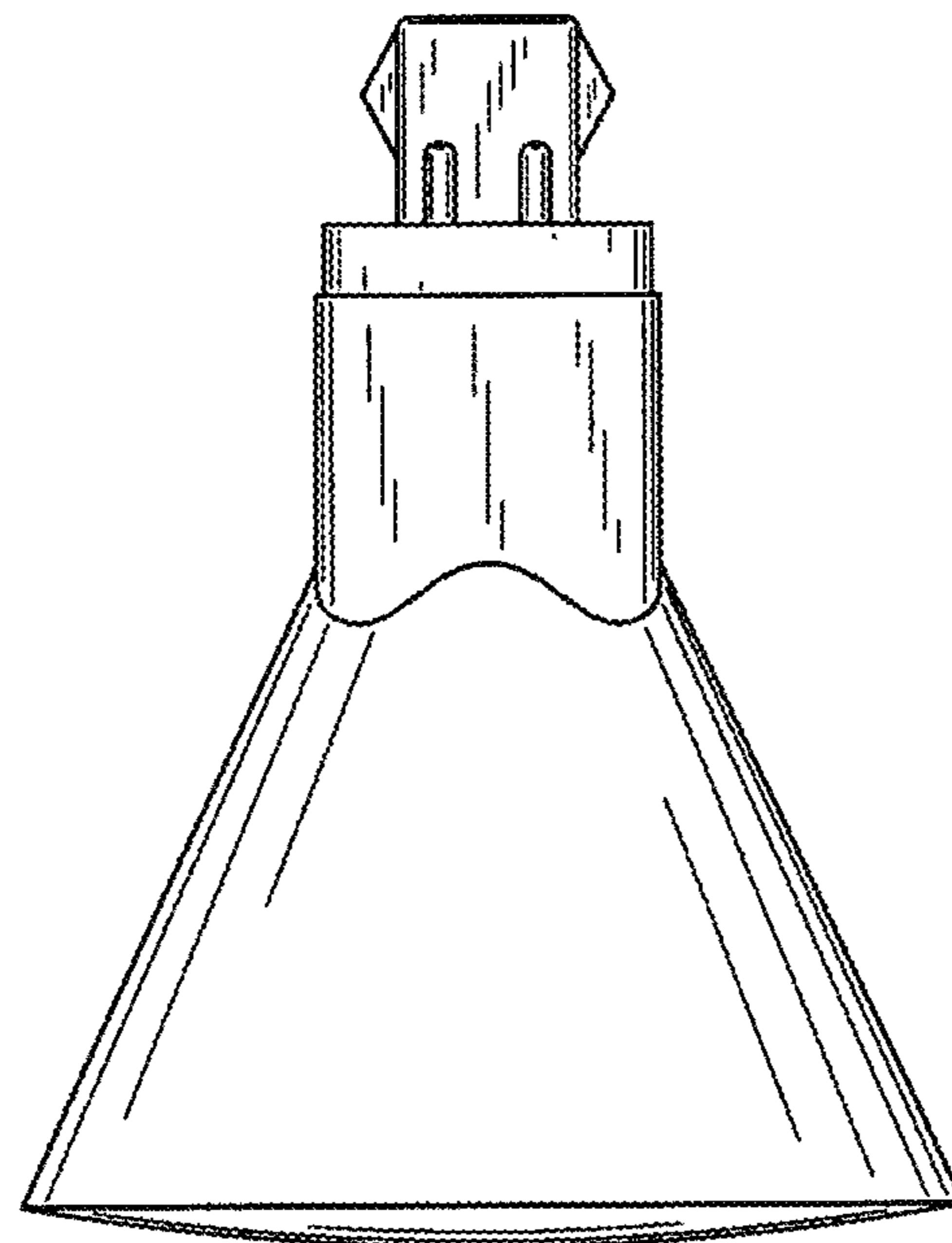


FIG. 5