



US00D763474S

(12) **United States Design Patent**
Vidal

(10) **Patent No.:** **US D763,474 S**

(45) **Date of Patent:** **** *Aug. 9, 2016**

- (54) **LOW-PROFILE LED LIGHTBULB**
- (71) Applicant: **GREEN CREATIVE, LLC**, South San Francisco, CA (US)
- (72) Inventor: **Guillaume Vidal**, Mende (FR)
- (73) Assignee: **GREEN CREATIVE LTD.**, Hong Kong (CN)
- (*) Notice: This patent is subject to a terminal disclaimer.
- (**) Term: **14 Years**
- (21) Appl. No.: **29/474,939**
- (22) Filed: **Mar. 24, 2015**
- (51) **LOC (10) Cl.** **26-04**
- (52) **U.S. Cl.**
USPC **D26/2**
- (58) **Field of Classification Search**
USPC D26/1-4, 113, 118; 313/313, 315, 316, 313/317, 318, 493; 315/32, 46, 52, 53, 56, 315/57, 58; D13/179
CPC F21K 9/135; F21K 9/1375; F21K 9/13
See application file for complete search history.

D673,697	S	*	1/2013	Van De Ven	D26/2
D687,171	S	*	7/2013	Brown	D26/2
D687,172	S	*	7/2013	Brown	D26/2
D687,173	S	*	7/2013	Brown	D26/2
D705,456	S	*	5/2014	Yan	D26/2
D743,585	S	*	11/2015	Ding	D26/2
D744,121	S	*	11/2015	Zolotykh	D26/2
D744,122	S	*	11/2015	Zolotykh	D26/2
2010/0225220	A1	*	9/2010	Tanaka	F21K 9/13 313/46
2011/0074289	A1	*	3/2011	Van de Ven	F21K 9/137 315/32

* cited by examiner

Primary Examiner — Ian Simmons

Assistant Examiner — Harold Blackwell, II

(74) *Attorney, Agent, or Firm* — James A. Gavney, Jr.; Jag Patent Services

(57) **CLAIM**

I claim the ornamental design for a low-profile LED lightbulb, as shown and described.

DESCRIPTION

FIG. 1 is a perspective view of a low-profile LED lightbulb showing my new design;

FIG. 2 is a bottom view of the low-profile LED lightbulb thereof;

FIG. 3 is a top view of low-profile LED lightbulb thereof;

FIG. 4 is a front side or back side view of the low-profile LED lightbulb thereof; and,

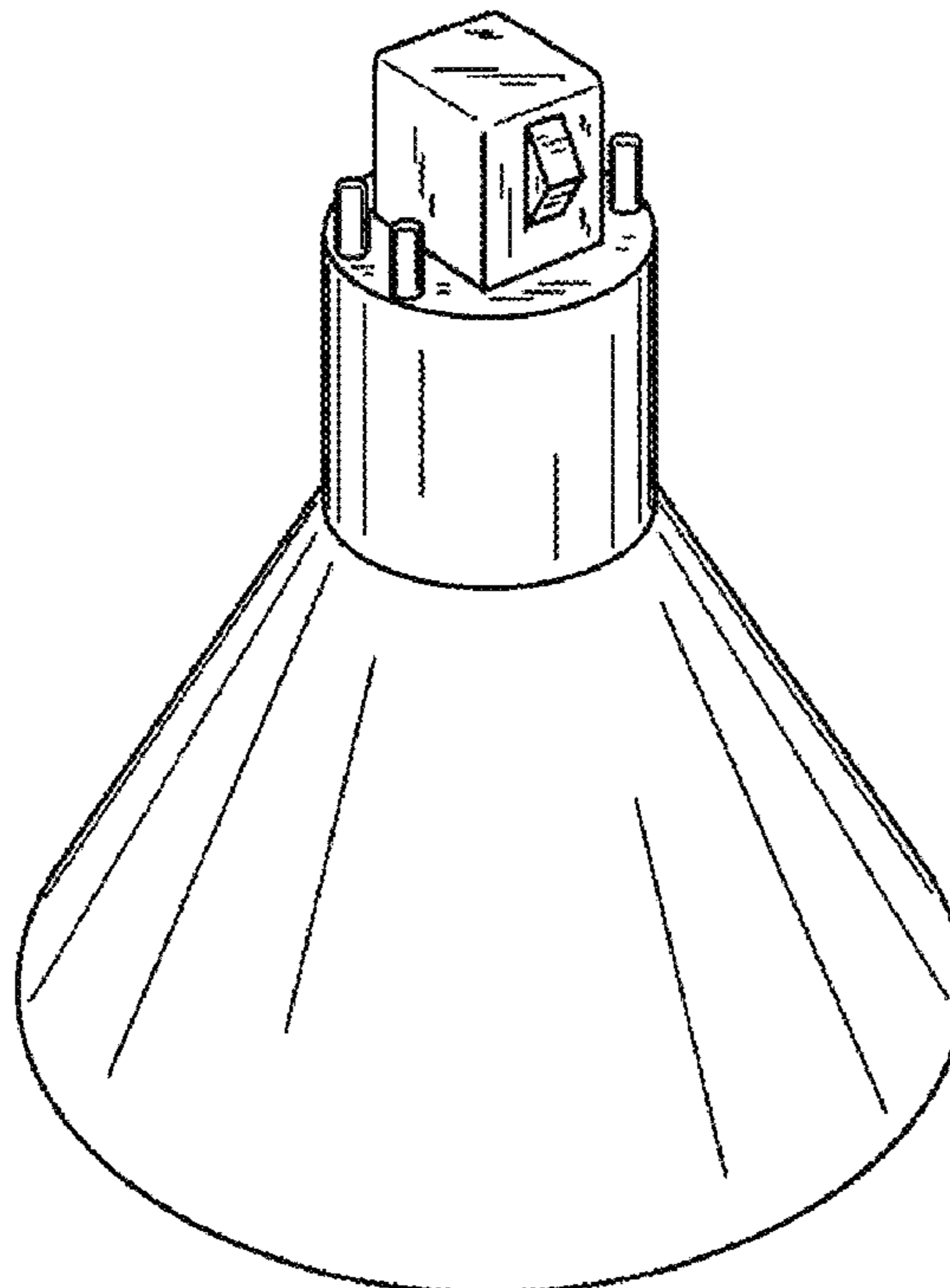
FIG. 5 is a right side or a left side view of the low-profile LED lightbulb thereof.

(56) **References Cited**

U.S. PATENT DOCUMENTS

D662,627	S	*	6/2012	Pan	D26/2
D670,414	S	*	11/2012	Guohui	D26/2

1 Claim, 2 Drawing Sheets



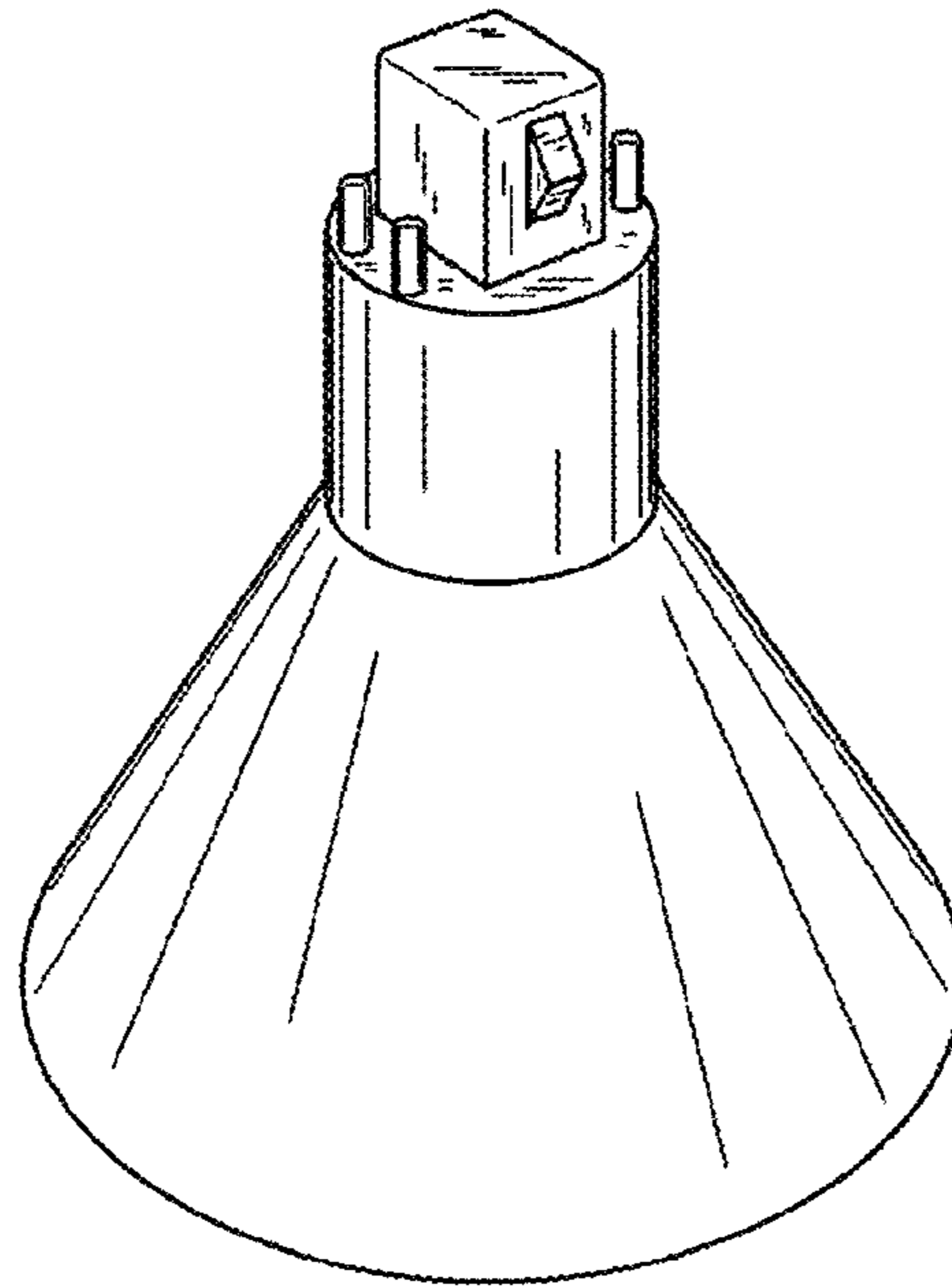


FIG. 1

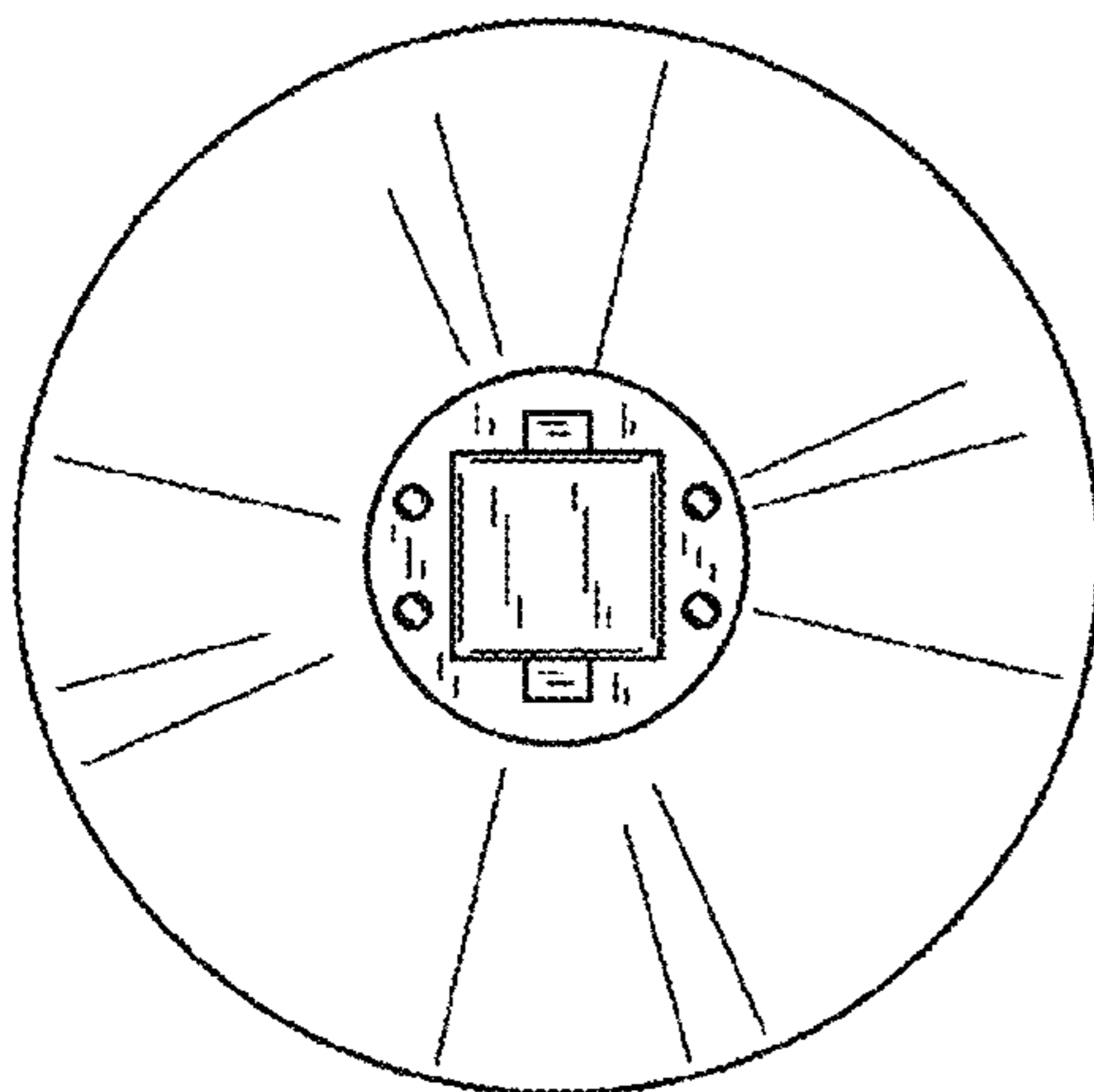


FIG. 2

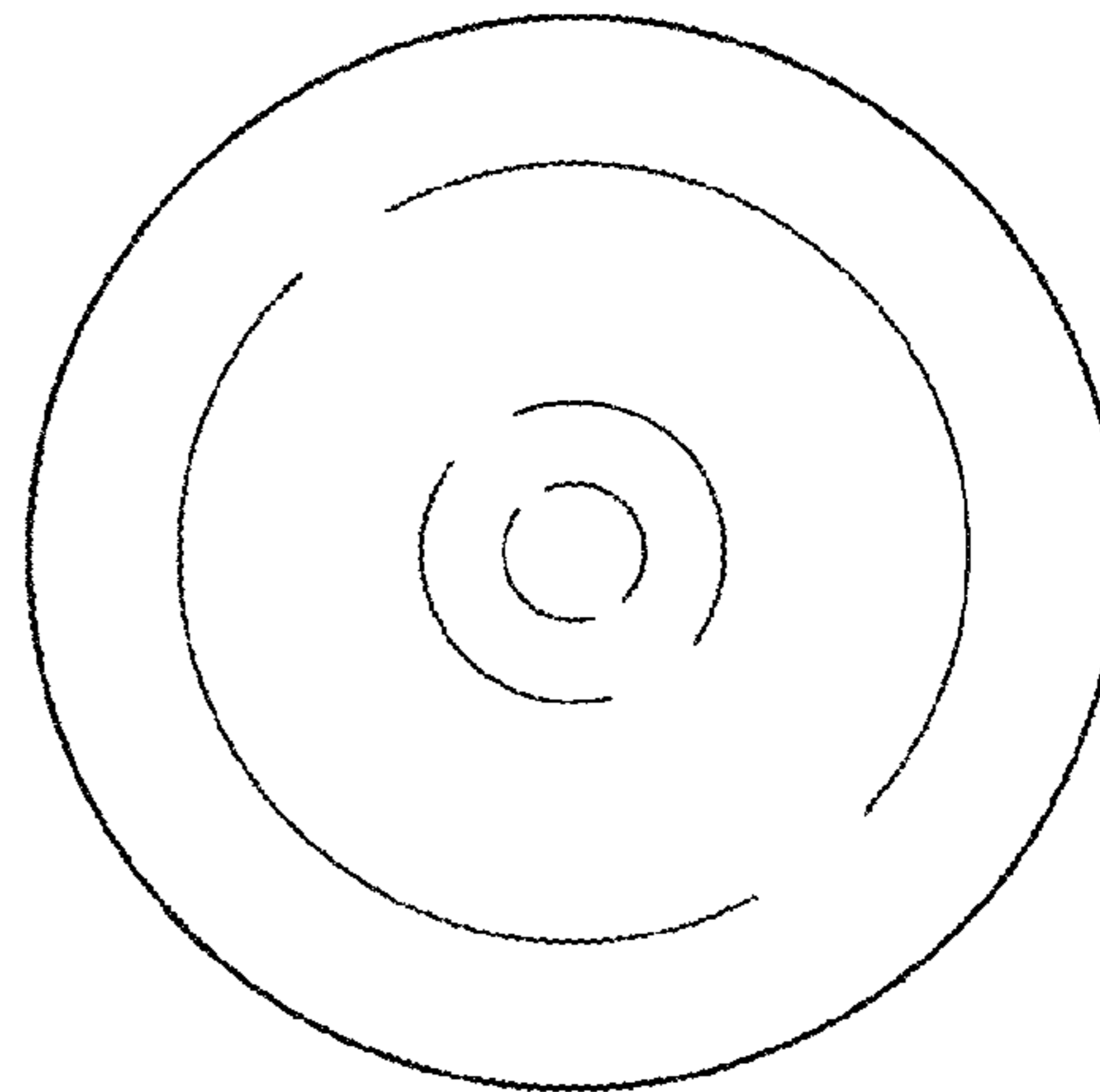


FIG. 3

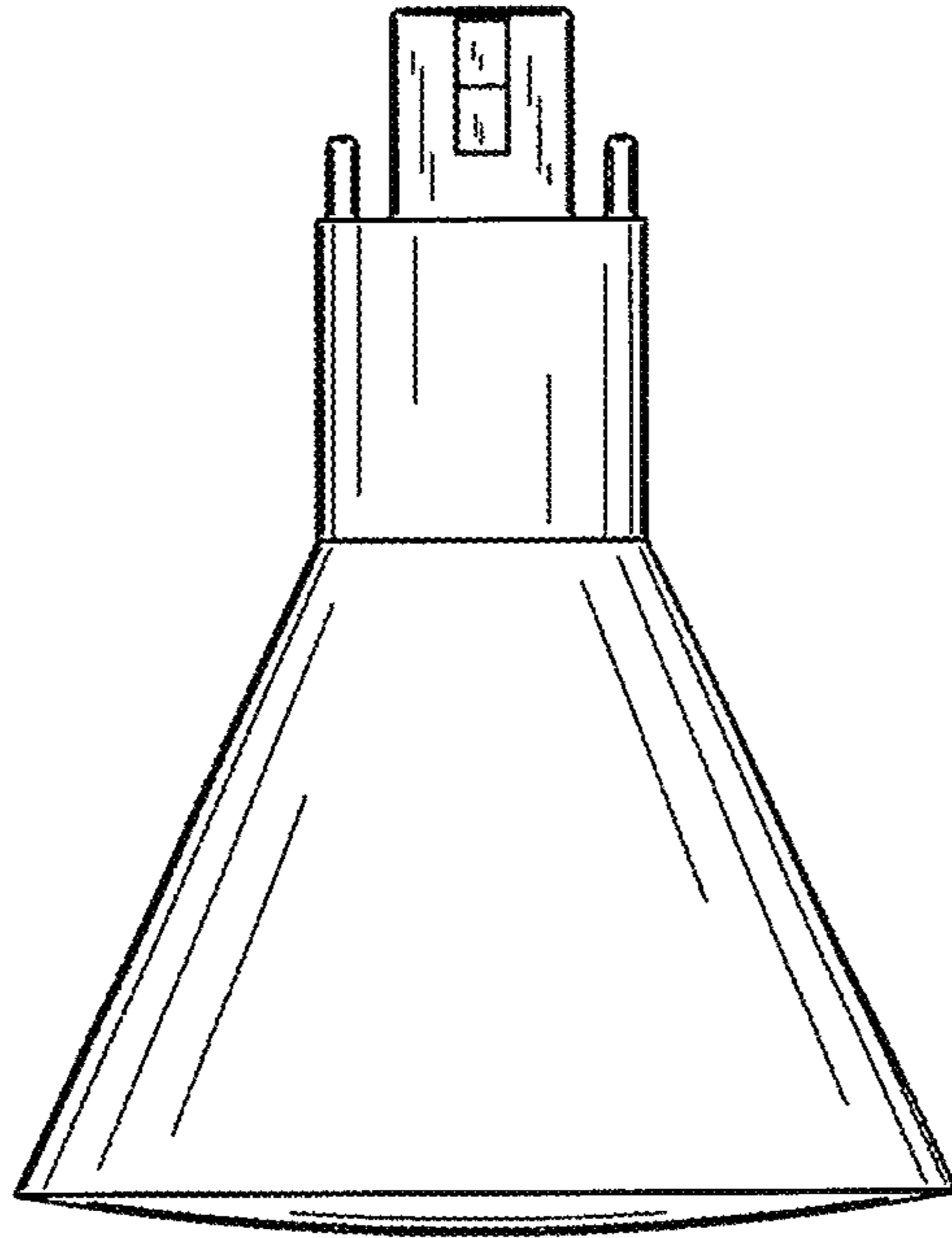


FIG. 4

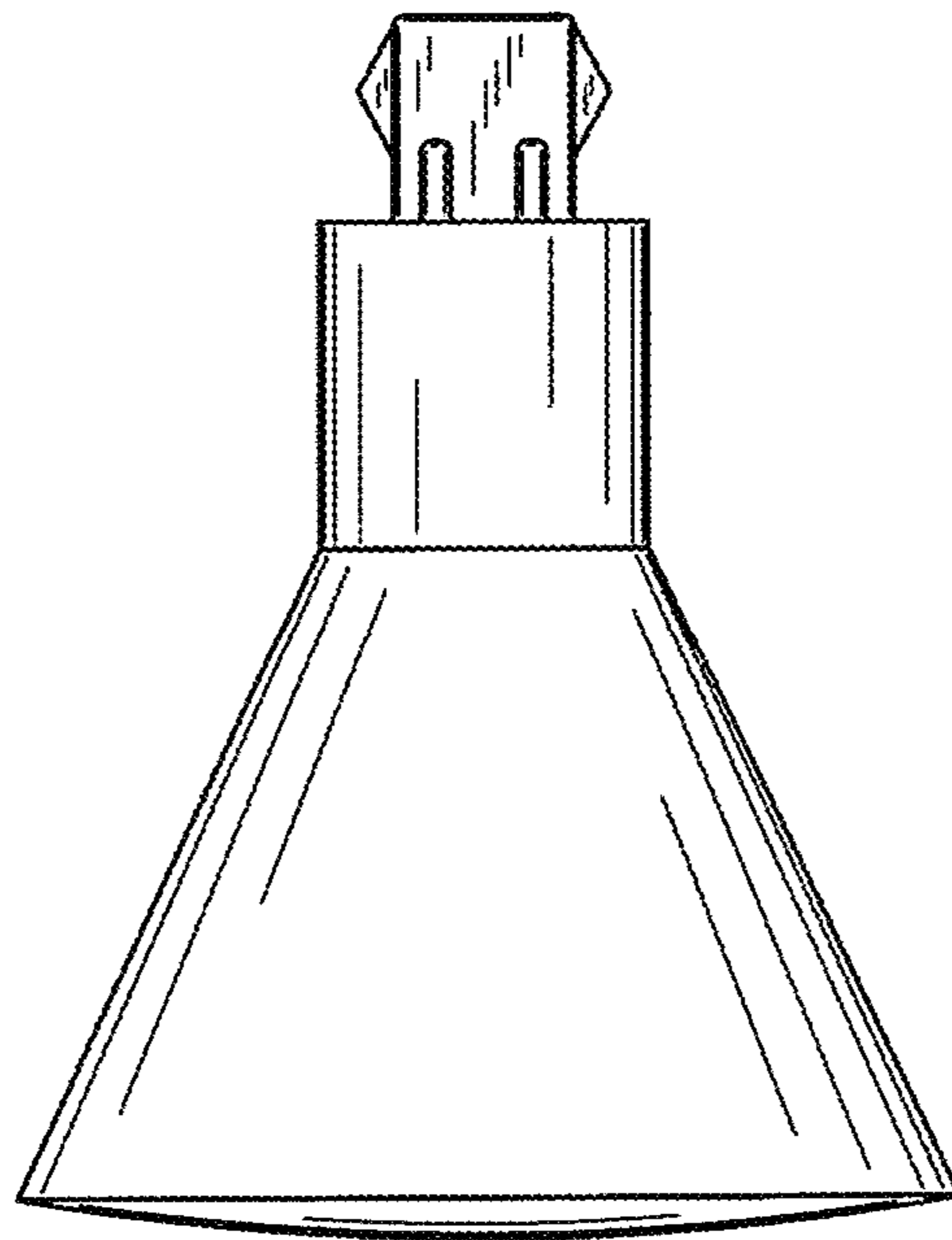


FIG. 5