



US00D763467S

(12) **United States Design Patent**  
**Choi**

(10) **Patent No.:** **US D763,467 S**  
(45) **Date of Patent:** **\*\* Aug. 9, 2016**

(54) **BLOCK FOR ROAD**  
(71) Applicant: **ECO-TOP CO., LTD.**,  
Chungcheongbuk-do (KR)  
(72) Inventor: **Kyoung Young Choi**, Seongnam-si (KR)  
(73) Assignee: **ECO-TOP CO., LTD.**,  
Chungcheongbuk-do (KR)  
(\*\*) Term: **14 Years**  
(21) Appl. No.: **29/520,173**  
(22) Filed: **Mar. 11, 2015**

5,660,016 A \* 8/1997 Erwin ..... B29C 44/22  
52/181  
6,594,961 B2 \* 7/2003 Leines ..... E01C 5/20  
52/177  
6,705,797 B1 \* 3/2004 Wada ..... E01C 5/00  
404/34  
D661,525 S \* 6/2012 Watts ..... D25/119  
D688,811 S \* 8/2013 Ciccarello ..... D25/113  
8,757,922 B1 \* 6/2014 Ciccarello ..... E01C 5/06  
404/37  
D735,890 S \* 8/2015 Gleason ..... D25/113  
D738,534 S \* 9/2015 Thomassen ..... D25/113  
D745,980 S \* 12/2015 Kobelev ..... D25/113  
2013/0149037 A1 \* 6/2013 Yu ..... E02B 3/14  
405/16  
2015/0167251 A1 \* 6/2015 Yu ..... E01C 5/00  
404/2

(30) **Foreign Application Priority Data**  
Dec. 24, 2014 (KR) ..... 30-2014-0062924

**FOREIGN PATENT DOCUMENTS**

JP D1445684 \* 7/2012  
KR 300796301.0000 \* 5/2015

(51) **LOC (10) CL.** ..... **25-01**  
(52) **U.S. CL.**  
USPC ..... **D25/113**  
(58) **Field of Classification Search**  
USPC ..... D21/484-486, 491-494, 499-505;  
D25/112, 113, 114, 118, 119, 122-125,  
D25/131, 136, 138, 153, 156-160, 164;  
52/390-392, 440, 503-505, 574, 575,  
52/596-612; 404/2, 33, 34, 38, 41, 73;  
405/16, 33, 115, 284-286  
CPC ..... E01C 5/00; E01C 5/001; E01C 5/18;  
E01C 5/20; E04F 2015/021; E04F  
2015/02072; E04F 2201/0511; E02B 3/10;  
E02B 3/12; E02B 3/14  
See application file for complete search history.

**OTHER PUBLICATIONS**

<http://korean-products.com/tag/eco-top-co-ltd/> Posted Nov. 18,  
2014.\*

\* cited by examiner

*Primary Examiner* — Susan Bennett Hattan  
*Assistant Examiner* — Leanne Was  
(74) *Attorney, Agent, or Firm* — Novick, Kim & Lee, PLLC;  
Jae Youn Kim

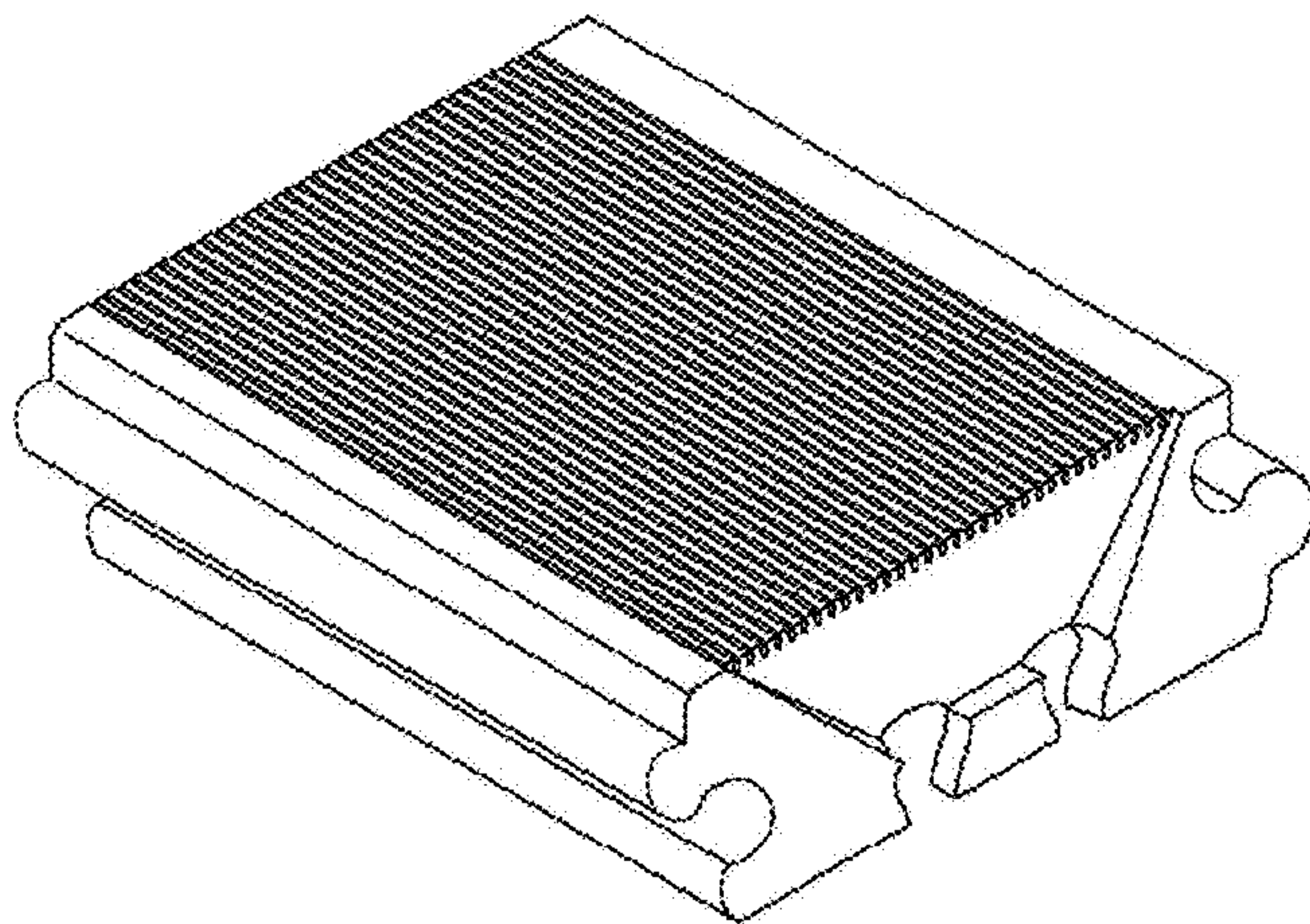
(56) **References Cited**  
U.S. PATENT DOCUMENTS  
1,746,169 A \* 2/1930 Swanson ..... E01C 5/18  
404/33  
4,977,730 A \* 12/1990 Pardo ..... E04F 15/08  
52/602  
5,465,541 A \* 11/1995 Lin ..... E04C 2/52  
52/220.2

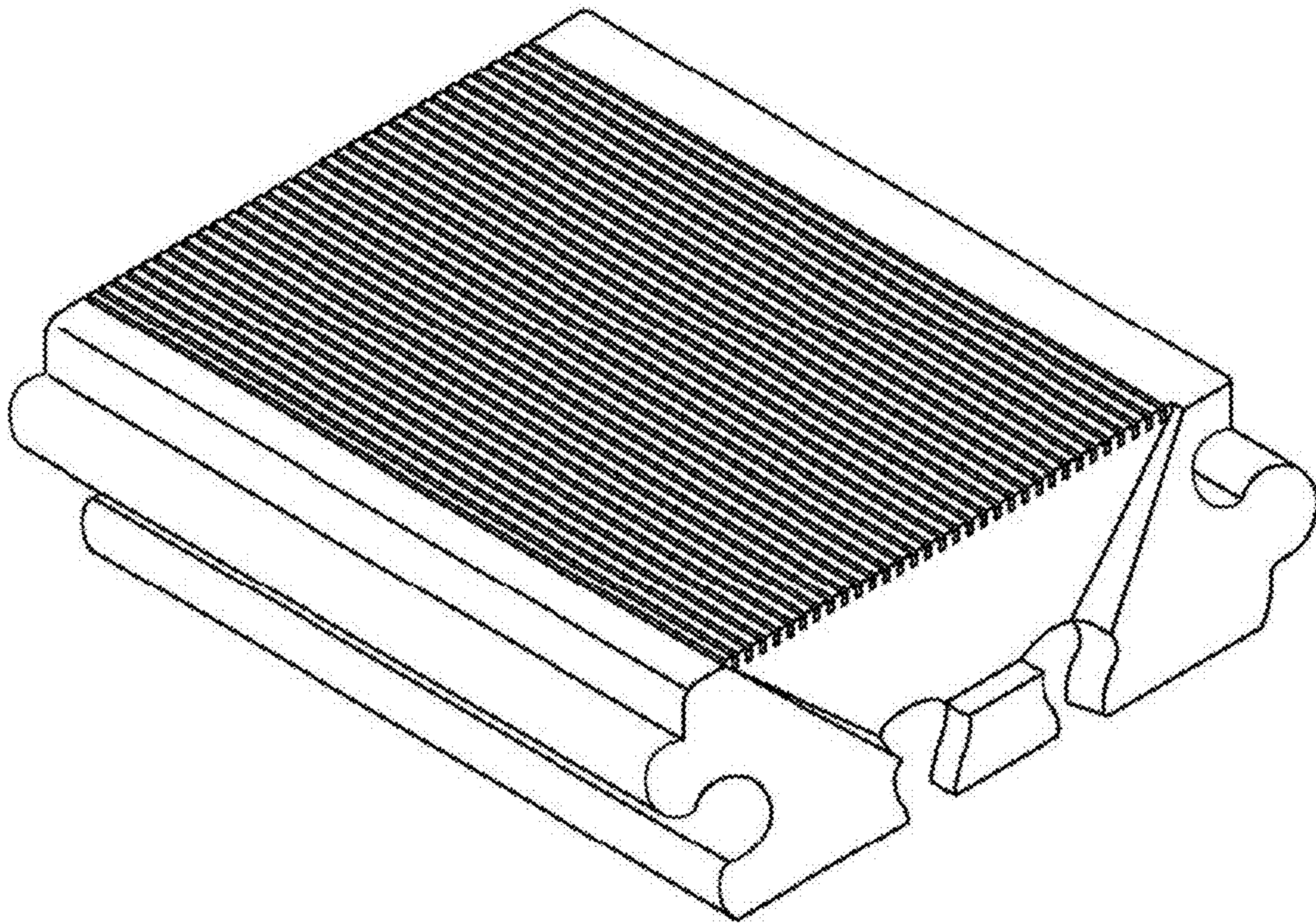
(57) **CLAIM**  
I claim, the ornamental design for a block for road, as shown  
and described.

**DESCRIPTION**

FIG. 1 is a perspective view of a block for road, showing my  
new design;  
FIG. 2 is a front elevational view thereof;  
FIG. 3 is a rear elevational view thereof;  
FIG. 4 is a left side elevational view thereof;  
FIG. 5 is a right side elevational view thereof;  
FIG. 6 is a top plan view thereof; and,  
FIG. 7 is a bottom plan view thereof.

**1 Claim, 5 Drawing Sheets**





**FIG. 1**



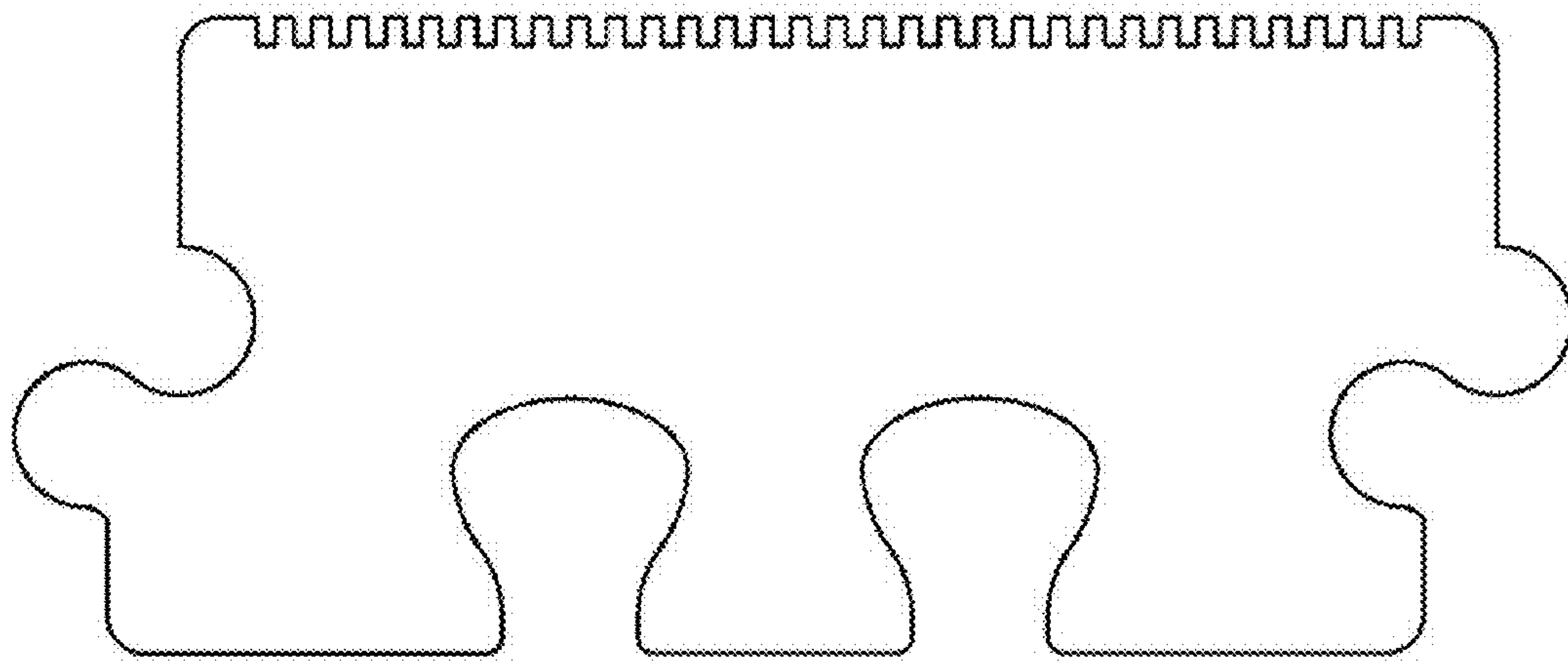


FIG. 2

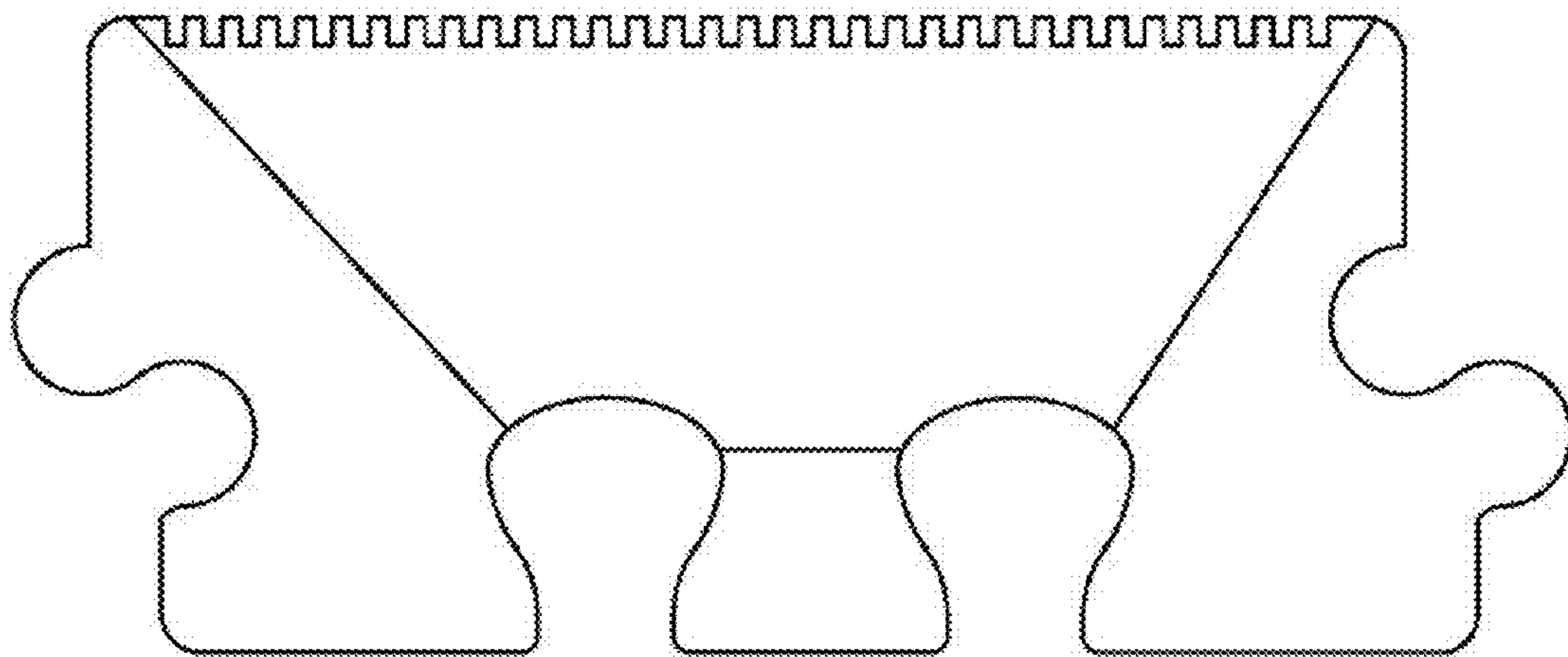
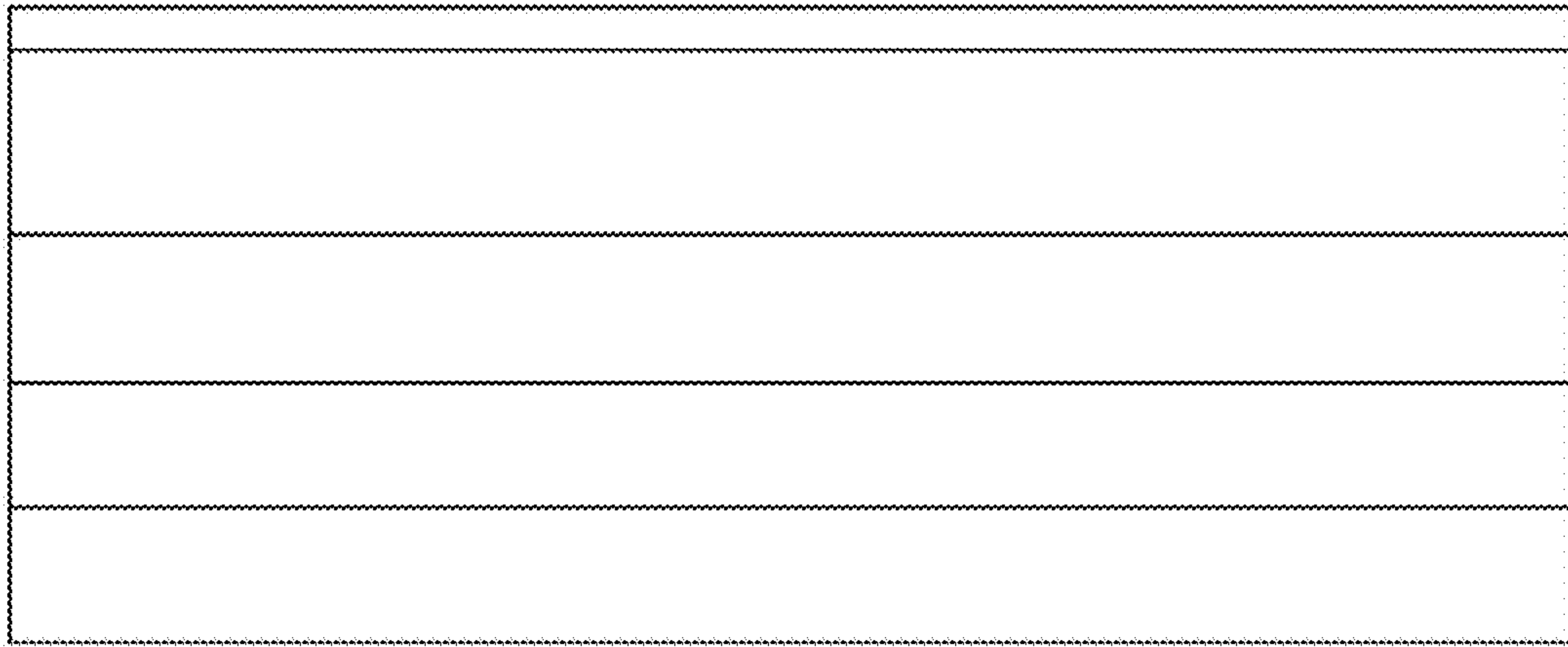
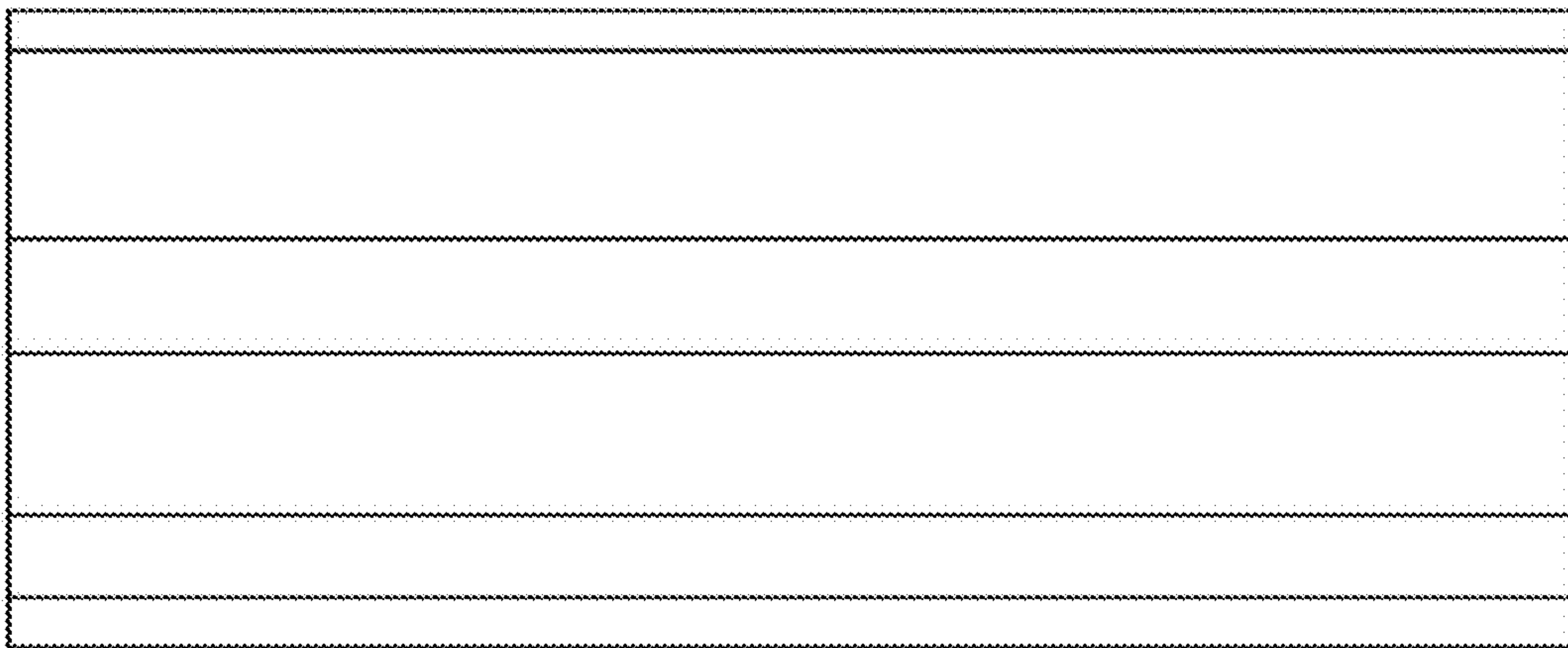


FIG. 3



**FIG. 4**



**FIG. 5**

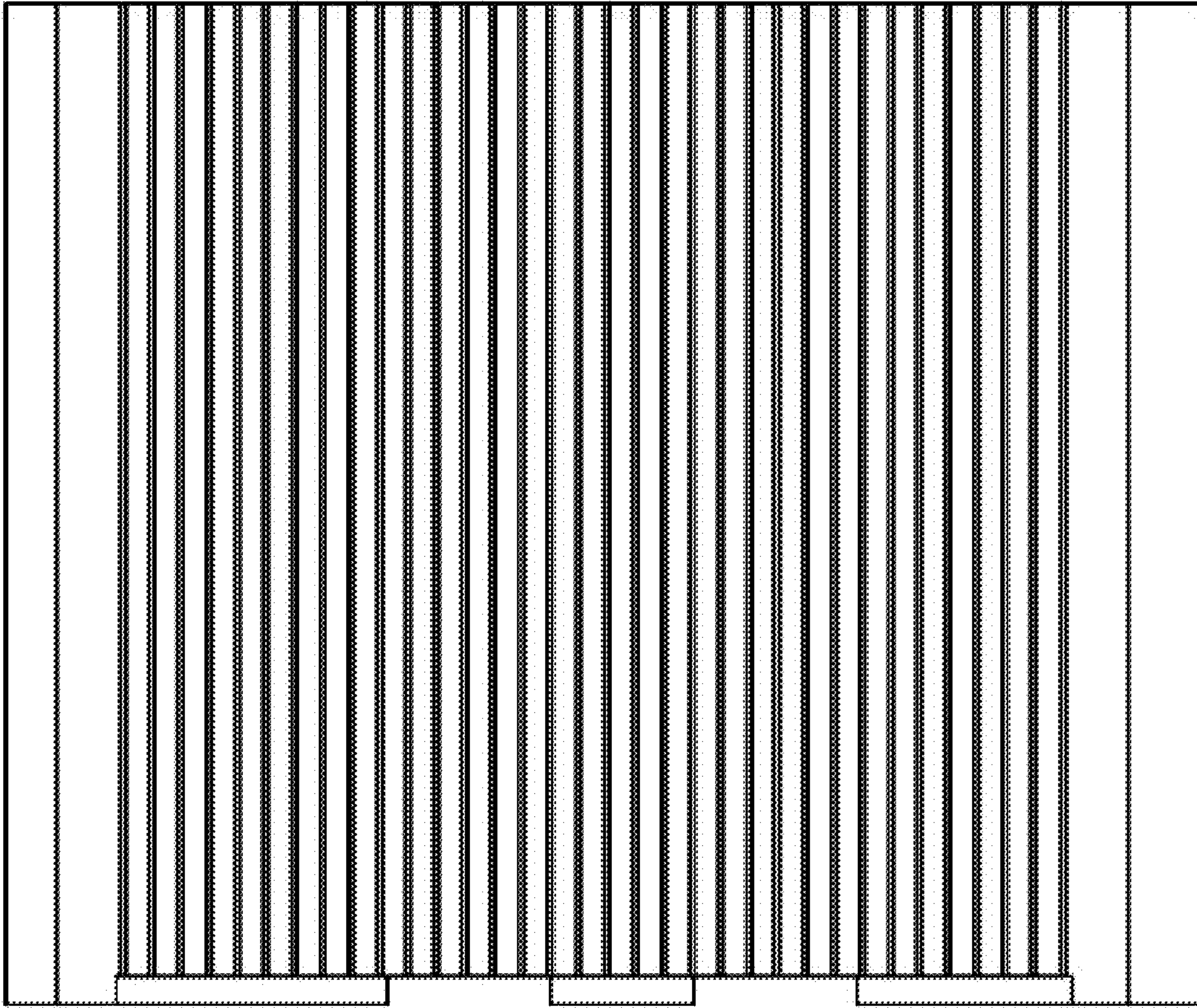
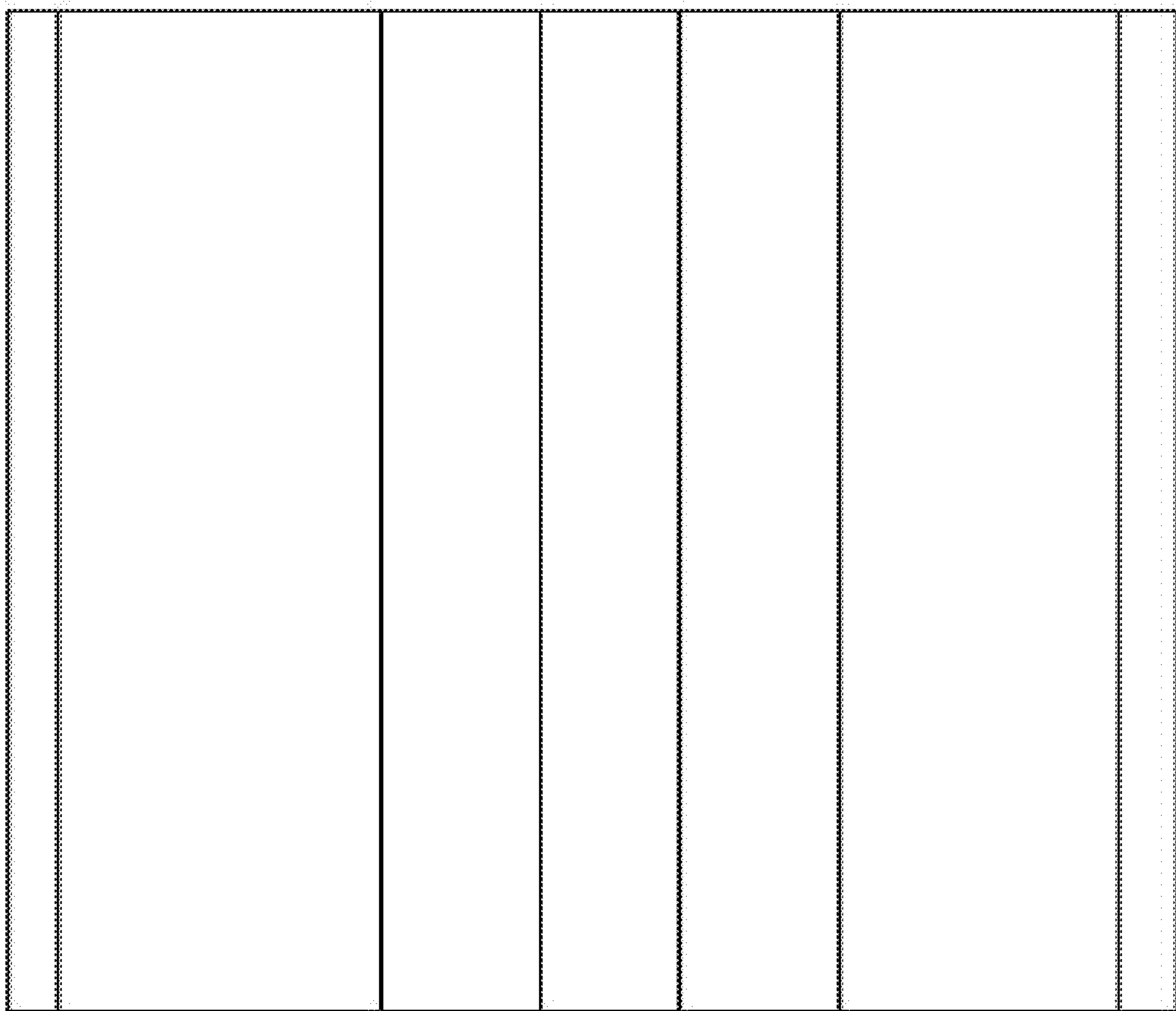


FIG. 6



**FIG. 7**