



US00D763465S

(12) **United States Design Patent**  
**Bakshi**

(10) **Patent No.:** **US D763,465 S**  
(45) **Date of Patent:** **\*\* Aug. 9, 2016**

(54) **COMMUNICATION PORTAL**

(71) Applicant: **Shared Space Studios LLC**, Bethesda, MD (US)

(72) Inventor: **Amar Chopra Bakshi**, Bethesda, MD (US)

(73) Assignee: **Shared Space Studios LLC**, Bethesda, MD (US)

(\*\*) Term: **14 Years**

(21) Appl. No.: **29/520,097**

(22) Filed: **Mar. 11, 2015**

(51) **LOC (10) Cl.** ..... **25-03**

(52) **U.S. Cl.**  
USPC ..... **D25/33**

(58) **Field of Classification Search**  
USPC ..... D25/1, 4, 14–18, 22–34; 52/79.1, 79.5, 52/79.9, 69; D34/28, 38; D12/101–106; 296/172–173; D3/272; 220/1.5  
CPC ..... E04H 1/1203; E04H 1/12; E04H 15/001; E04H 15/04; E04H 15/44; E04H 15/30; E04H 9/14; E04H 2001/1283  
See application file for complete search history.

(56) **References Cited**

U.S. PATENT DOCUMENTS

1,363,273	A *	12/1920	Ruff	.....	B65D 90/026
					D25/30
2,888,070	A *	5/1959	Smith	.....	E06B 9/52
					D25/33
3,023,463	A *	3/1962	Bigelow, Jr.	.....	E04B 1/34336
					D25/33
3,676,973	A *	7/1972	Kellert	.....	E04B 1/163
					D25/33
D245,706	S *	9/1977	McAllister	.....	D25/1
D251,737	S *	5/1979	Chambers	.....	D25/22
4,299,065	A *	11/1981	Fairgrieve	.....	E04B 1/3483
					52/79.11
D339,870	S *	9/1993	Carlin	.....	D25/1
D370,982	S *	6/1996	Shane	.....	D25/1
5,706,614	A *	1/1998	Wiley, Jr.	.....	E04B 1/3483
					52/79.1

D426,382	S *	6/2000	Martineau	.....	D3/272
6,811,048	B2 *	11/2004	Lau	.....	B65D 88/005
					220/1.5
D593,208	S *	5/2009	Ausich	.....	D25/4
D647,700	S *	11/2011	Sayag	.....	D3/272
D655,019	S *	2/2012	Colless	.....	D25/15
D708,349	S *	7/2014	Yoder	.....	D25/33
2008/0060790	A1 *	3/2008	Yates	.....	E04H 5/02
					165/80.3
2012/0006369	A1 *	1/2012	Cantin	.....	E04H 1/1205
					135/96

\* cited by examiner

*Primary Examiner* — Susan Bennett Hattan

*Assistant Examiner* — Brett Miller

(74) *Attorney, Agent, or Firm* — Patent Law Works LLP

(57) **CLAIM**

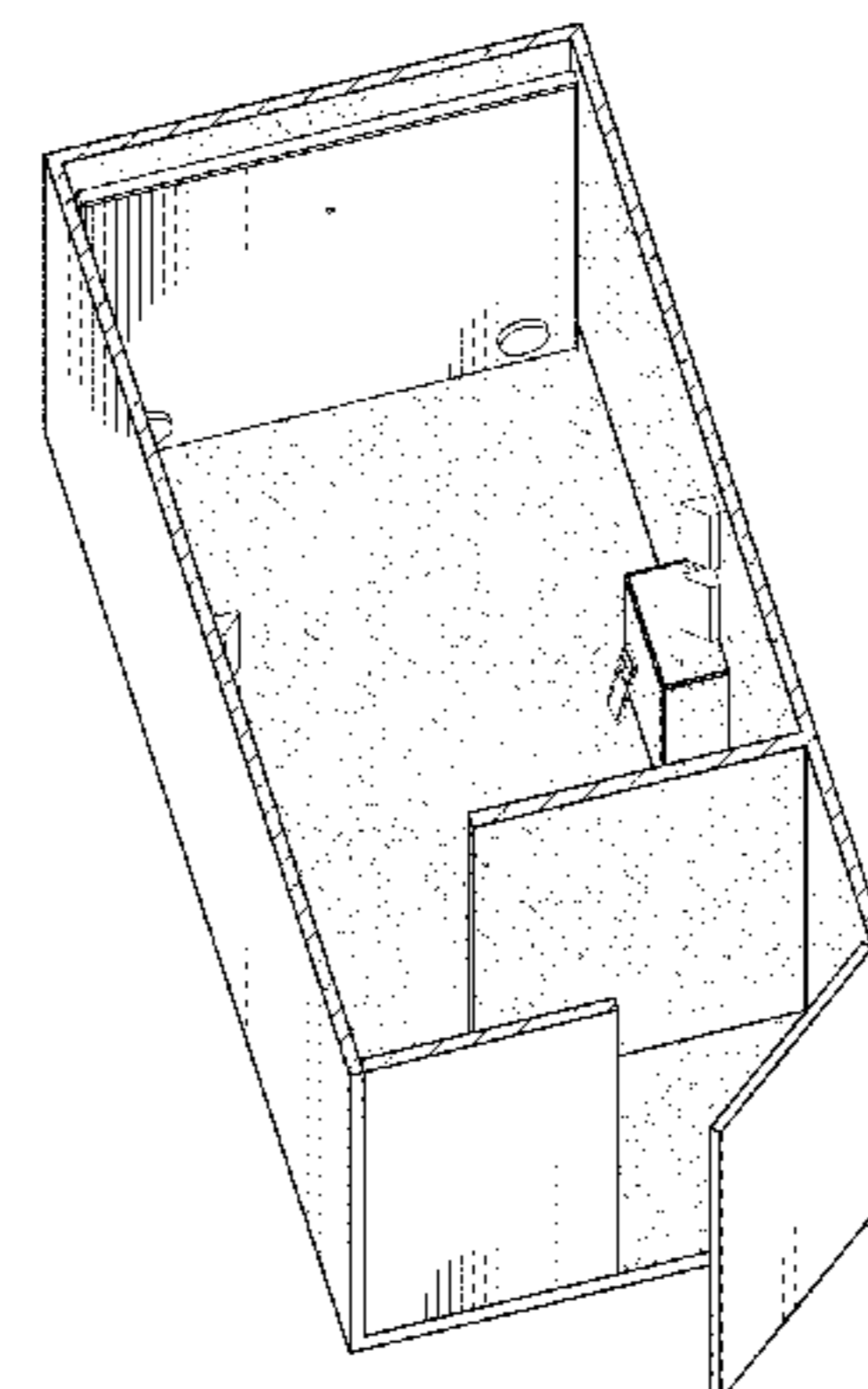
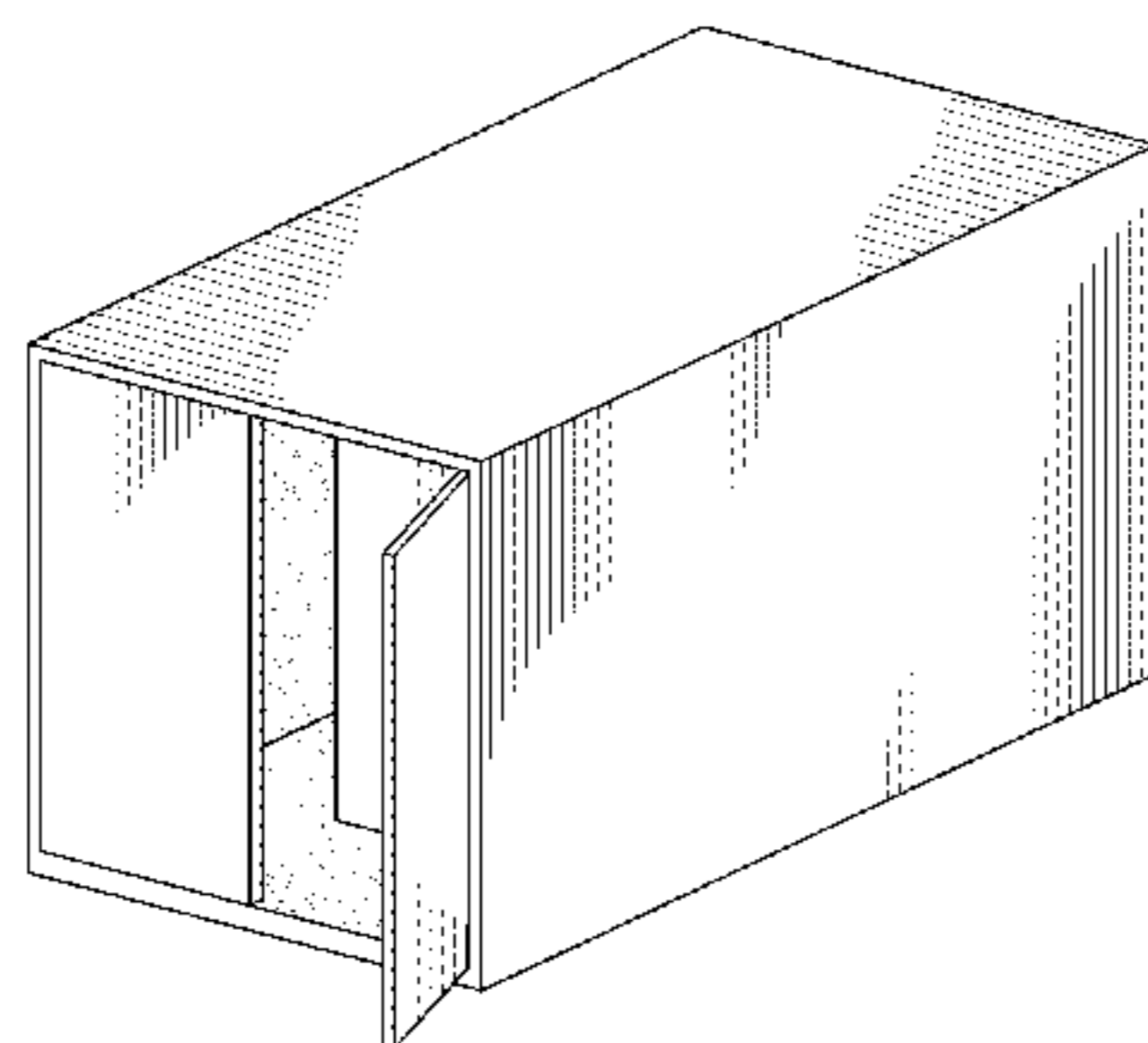
The ornamental design for a communication portal, as shown and described.

**DESCRIPTION**

FIG. 1 is a front and side perspective view of a communication portal in accordance with the present design;  
 FIG. 2 is a rear and side perspective view of the communication portal;  
 FIG. 3 is a top perspective view of the interior of the communication portal, illustrating the interior without the roof, and showing one wall of the interior;  
 FIG. 4 is another top perspective view of the interior of the communication portal, illustrating the interior without the roof, and showing an opposite wall facing the one shown in FIG. 3;  
 FIG. 5 is a perspective view of the communication portal, illustrating the rear, with a person entering the communication portal through a doorway;  
 FIG. 6 is a top perspective view of the communication portal, illustrating the front and rear interior spaces, the doorway in the rear and the video screen in the front;  
 FIG. 7 is a top plan view of the communication portal;  
 FIG. 8 is a section view of the communication portal, illustrating a first person facing the video screen and in communication with a second person; and,  
 FIG. 9 is a section view, without a side wall of the communication portal, and illustrating a rotated screen to expose the space within which a camera and other electronic equipment are located.

The illustrations in the drawings that are shown in broken lines are environment structure that is not part of the design.

**1 Claim, 9 Drawing Sheets**



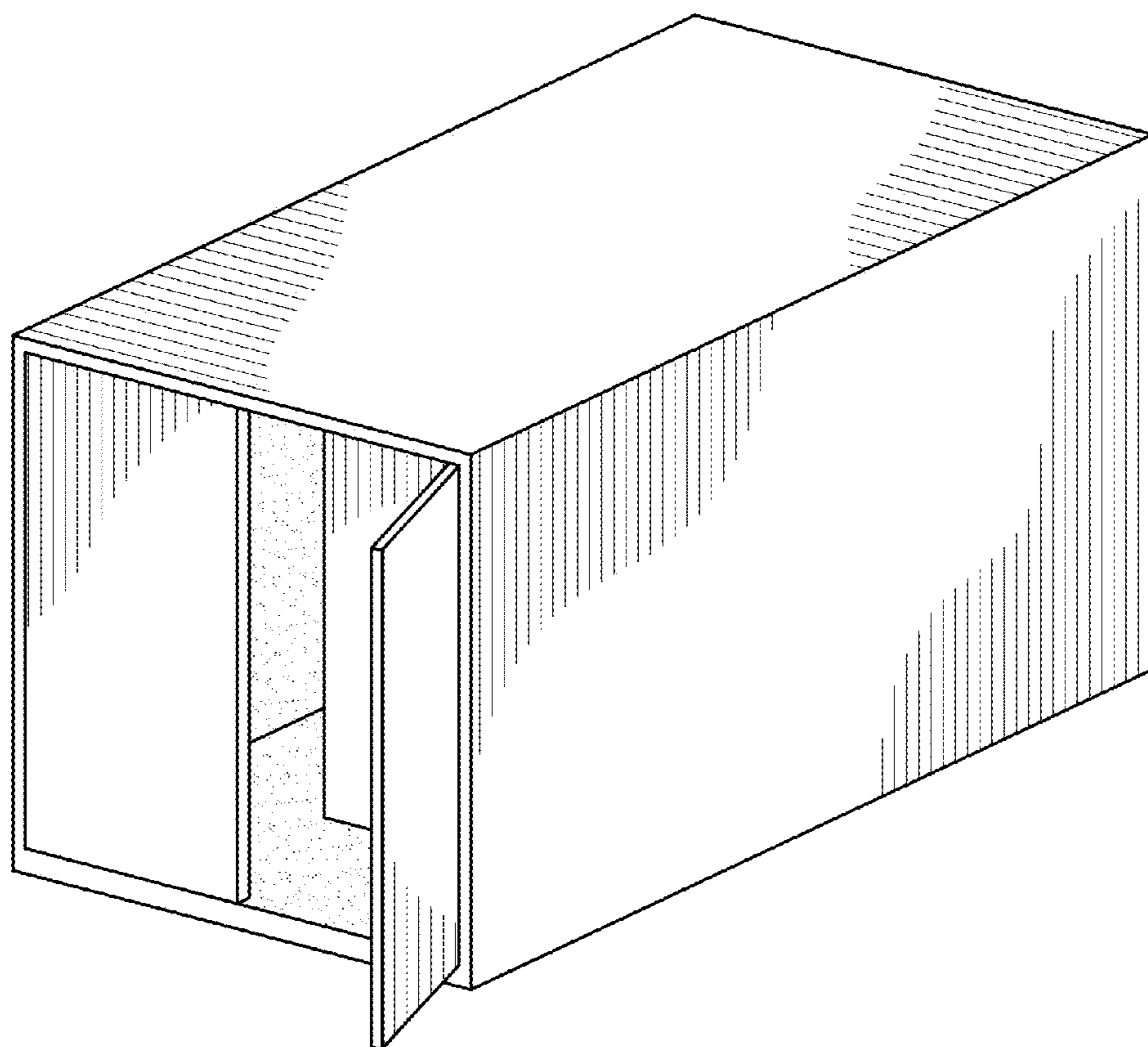


FIG. 1

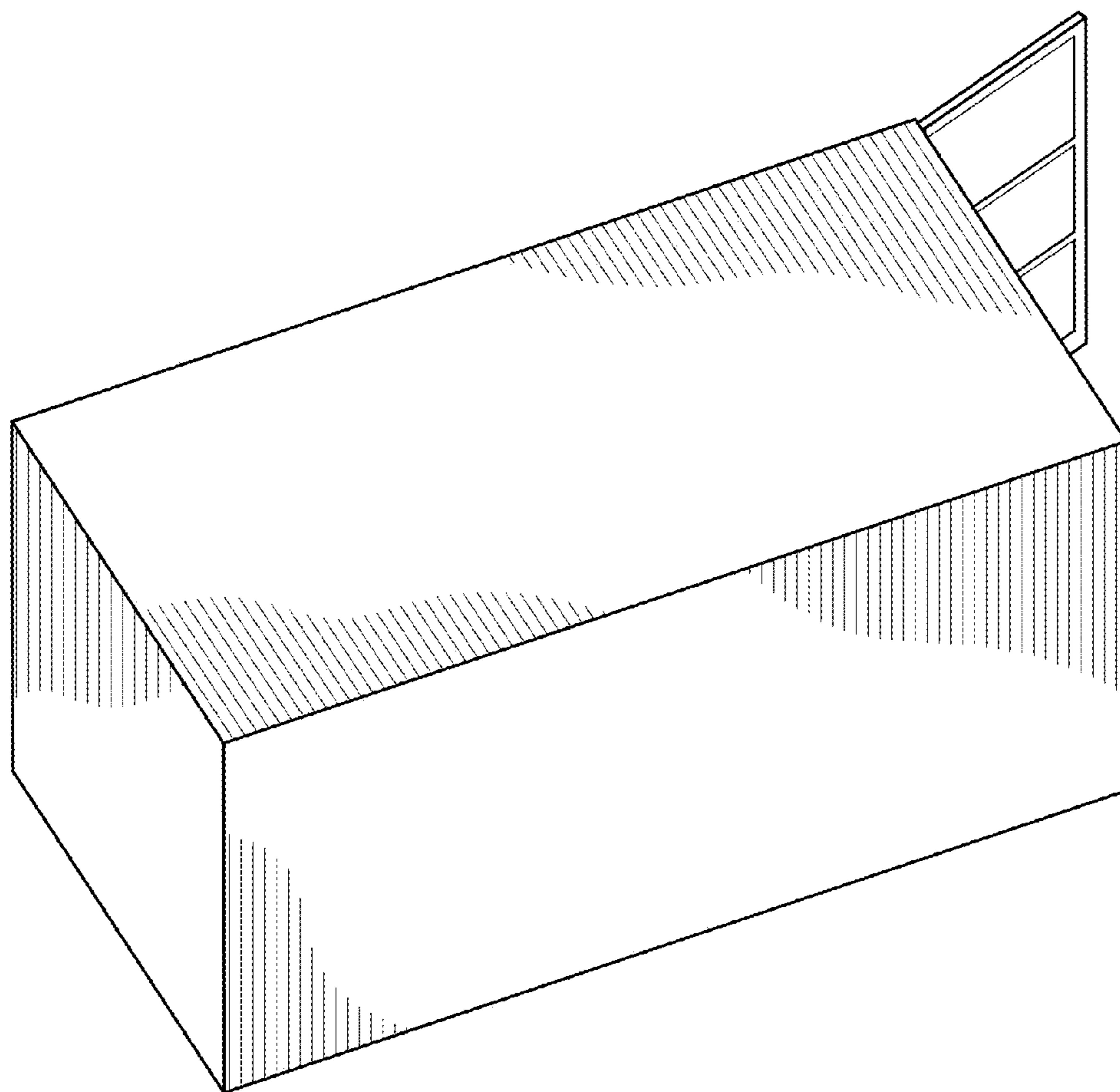


FIG. 2

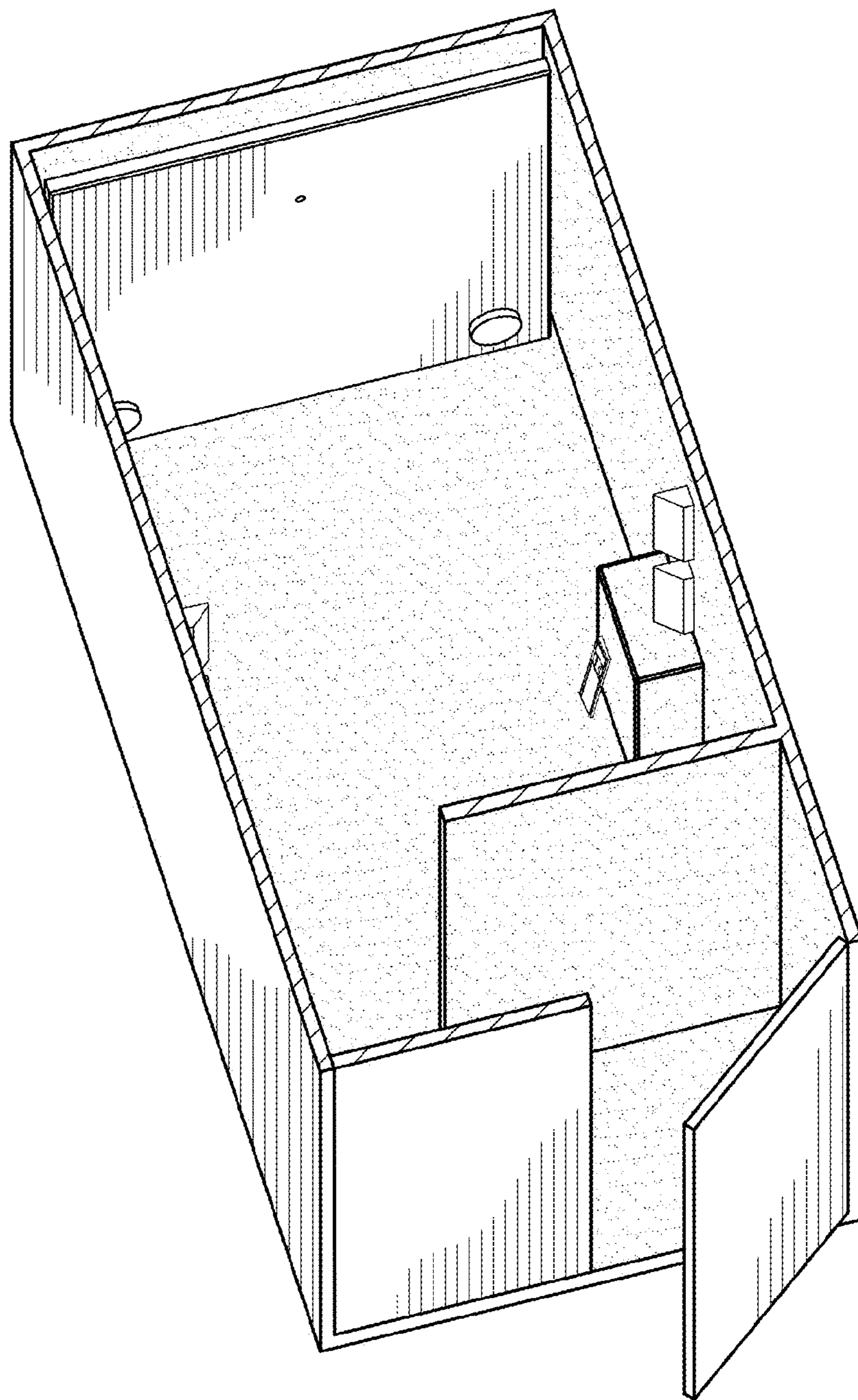


FIG. 3

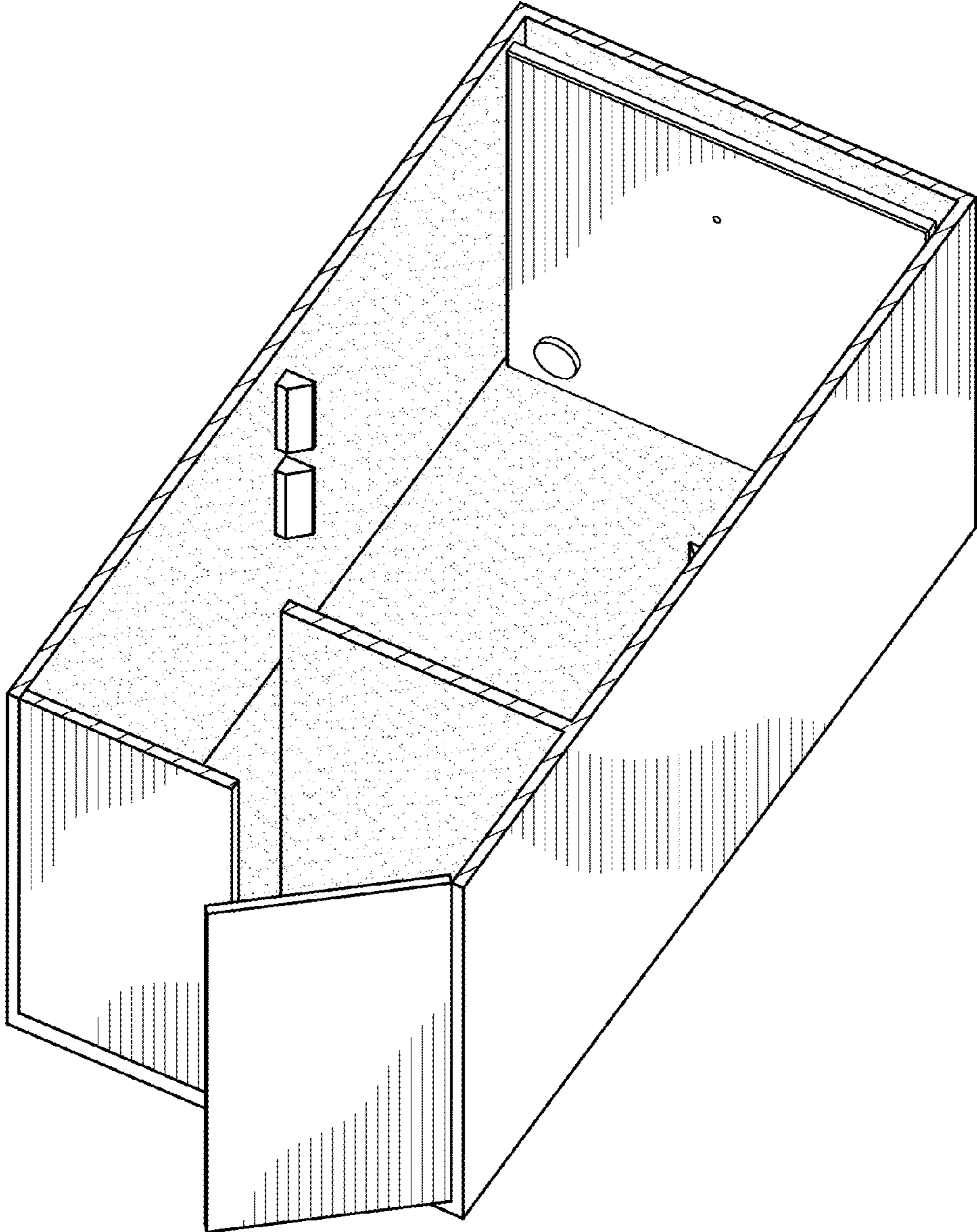


FIG. 4

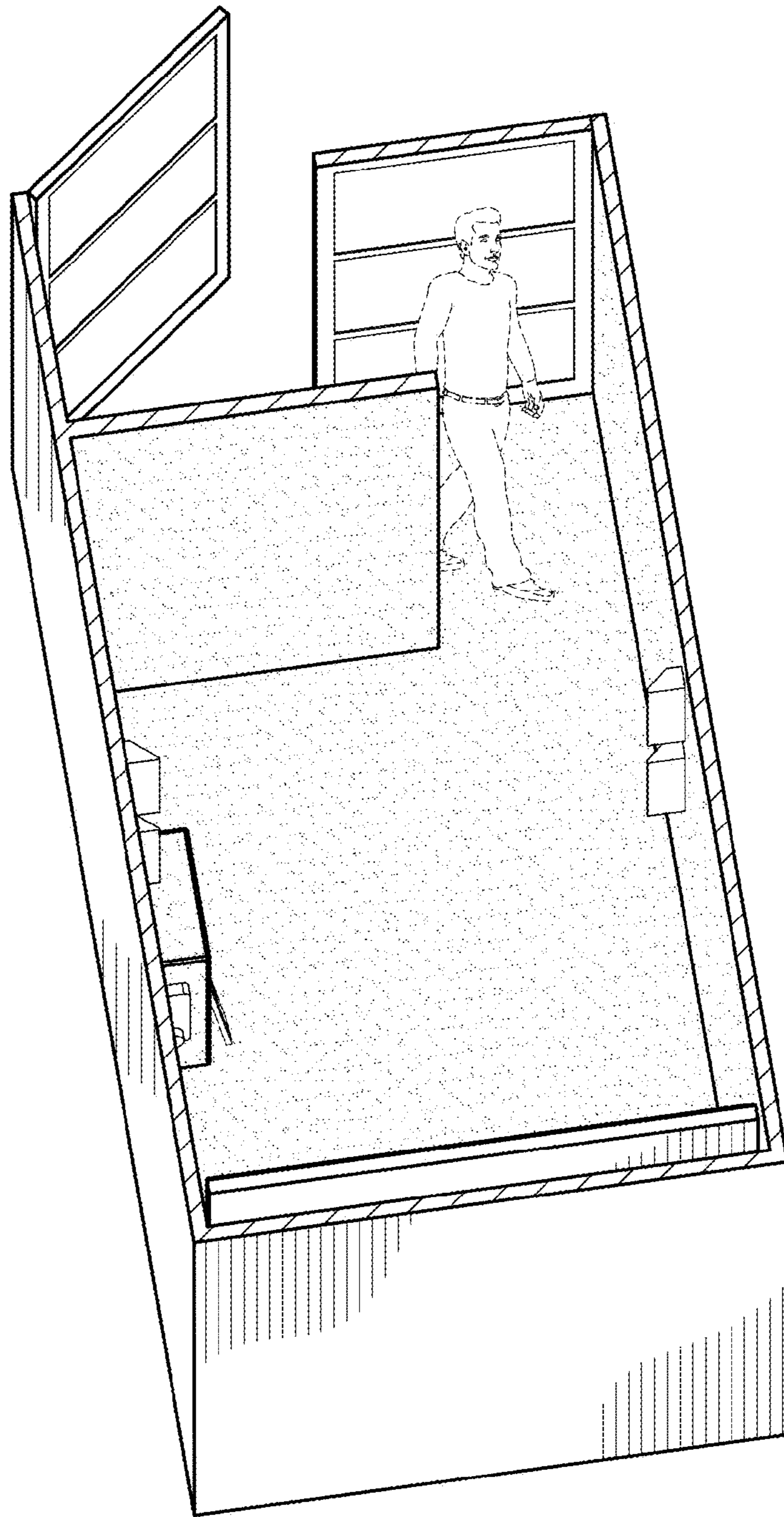


FIG. 5

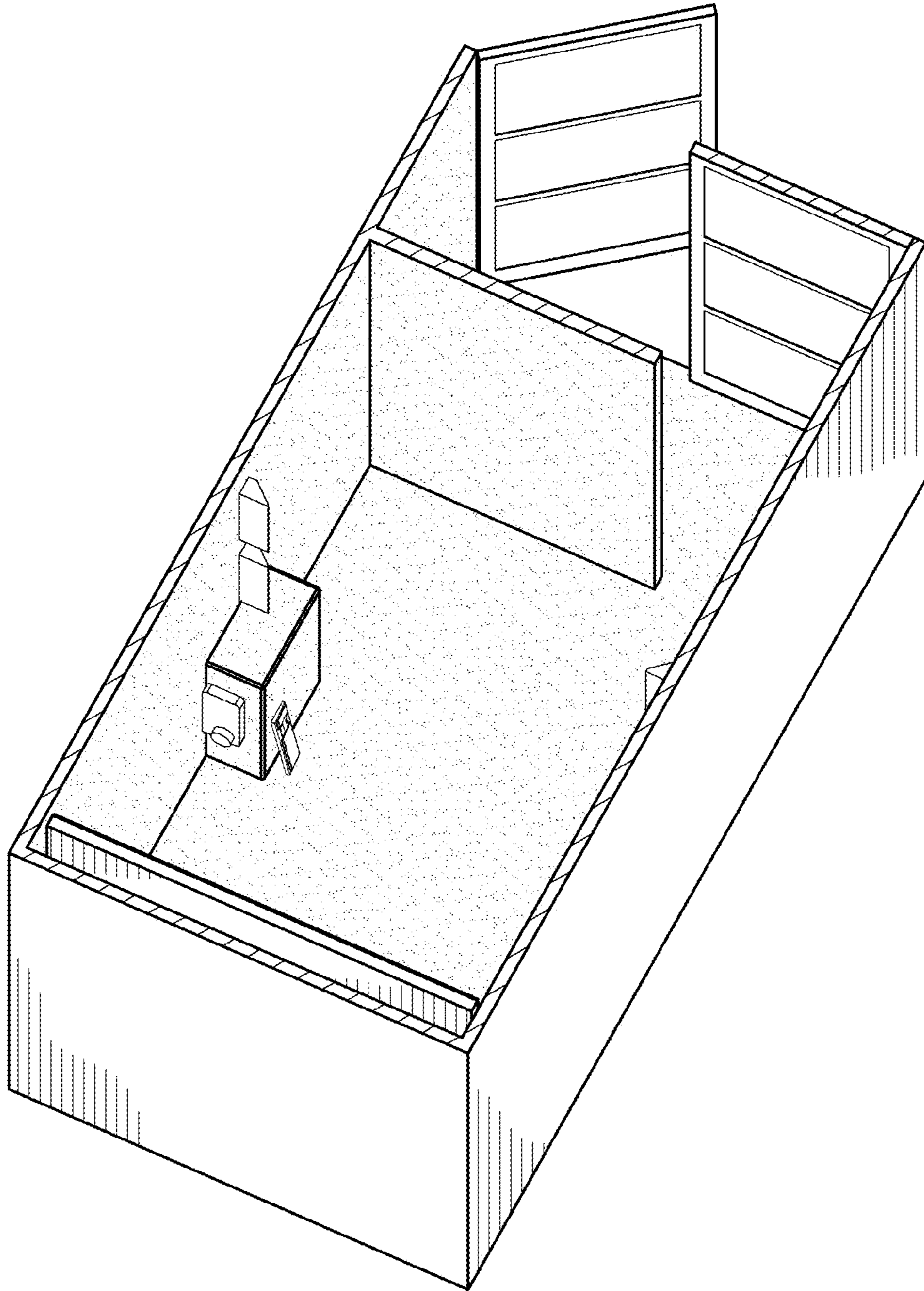


FIG. 6

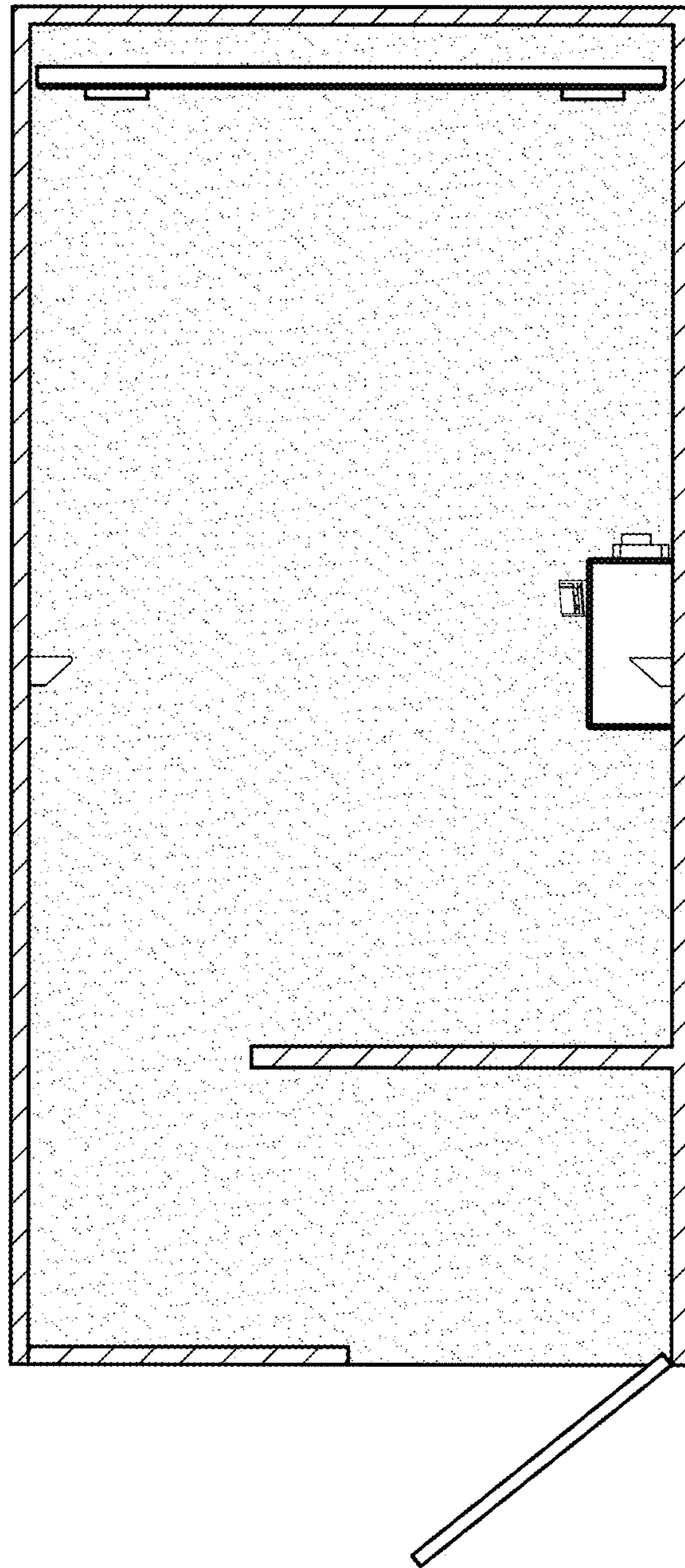


FIG. 7



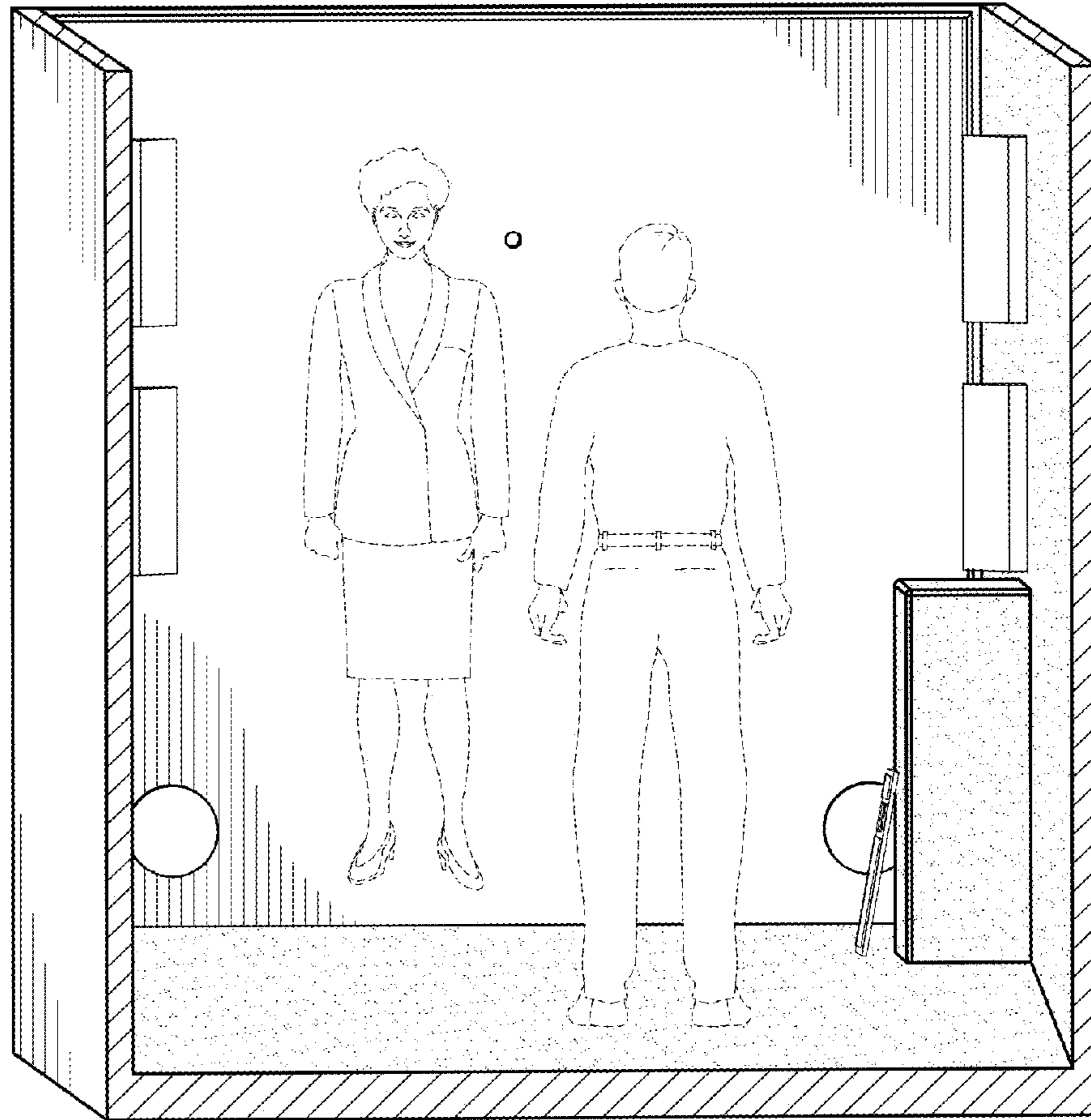


FIG. 8

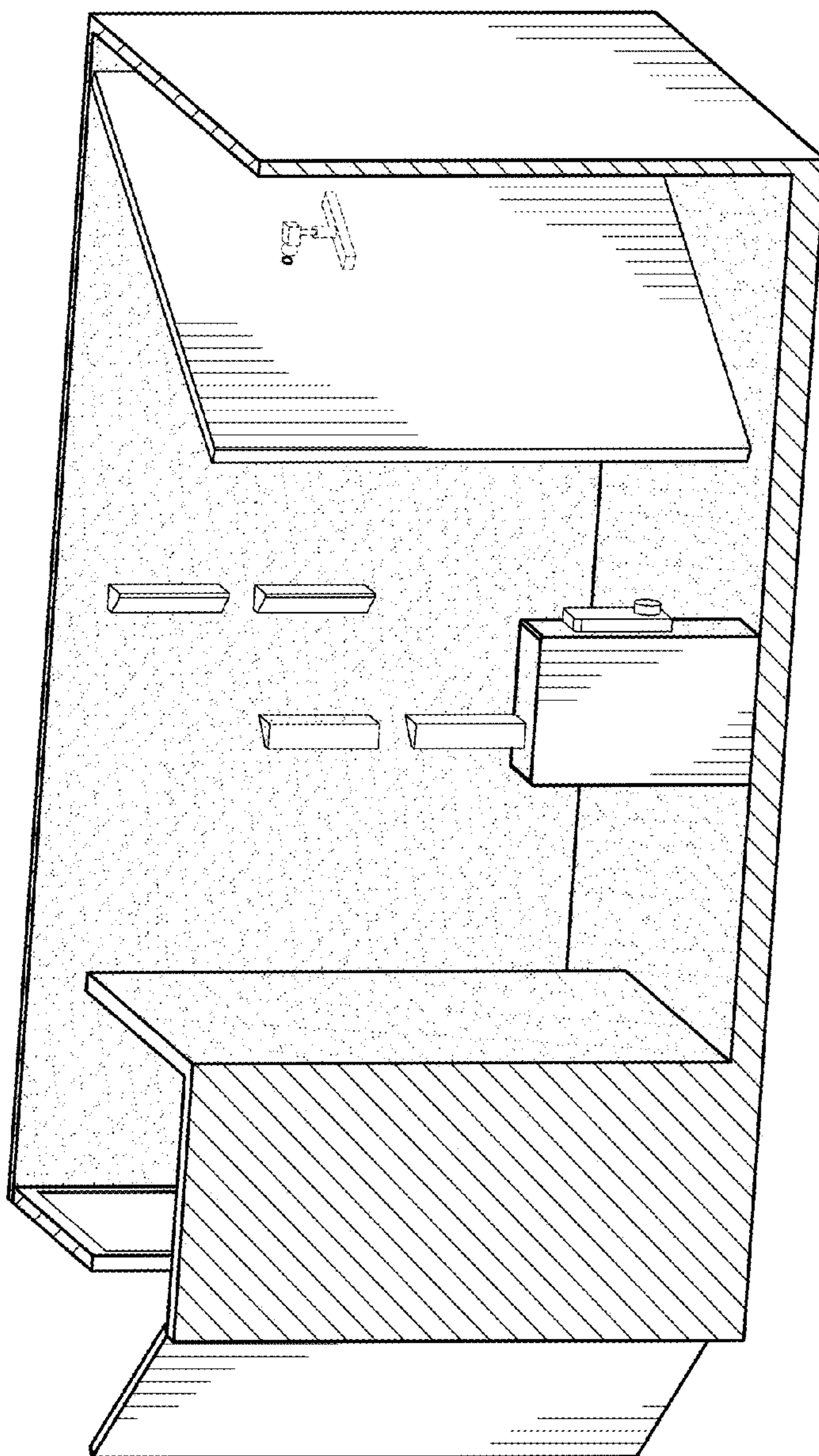


FIG. 9