



US00D763464S

(12) **United States Design Patent**
Li et al.

(10) **Patent No.:** **US D763,464 S**
(45) **Date of Patent:** **** Aug. 9, 2016**

- (54) **PIPETTE STAND**
- (71) Applicant: **Heathrow Scientific LLC**, Vernon Hills, IL (US)
- (72) Inventors: **Ying Li**, Vernon Hills, IL (US); **Mark Eyman**, Chicago, IL (US); **Patrick Nally**, Chicago, IL (US)
- (73) Assignee: **HEATHROW SCIENTIFIC LLC**, Vernon Hills, IL (US)
- (**) Term: **14 Years**

2,376,955	A *	5/1945	Ball	211/60.1
2,512,622	A *	6/1950	Fish	206/317
3,116,730	A *	1/1964	Tingley	211/60.1
4,534,471	A	8/1985	Zahn et al.		
4,688,685	A *	8/1987	Brace	211/70.5
D311,565	S *	10/1990	Buri et al.	D3/259
D394,575	S *	5/1998	Mikloczak et al.	D6/552
5,772,050	A	6/1998	Shih		
5,961,927	A	10/1999	Isaacs et al.		
6,308,838	B1 *	10/2001	Endean	211/205
D512,282	S *	12/2005	Martin	D7/707
D519,644	S	4/2006	Jankowski et al.		
D524,448	S	7/2006	Telimaa et al.		
D544,609	S	6/2007	Bluon		
8,074,814	B2 *	12/2011	Morris et al.	211/65

(Continued)

- (21) Appl. No.: **29/457,557**
- (22) Filed: **Jun. 11, 2013**

Primary Examiner — T. Chase Nelson
Assistant Examiner — Mark Cavanna
 (74) *Attorney, Agent, or Firm* — Michael Best & Friedrich LLP

Related U.S. Application Data

- (63) Continuation-in-part of application No. 29/437,729, filed on Nov. 20, 2012.

- (51) **LOC (10) Cl.** **24-02**
- (52) **U.S. Cl.**
USPC **D24/227**

- (58) **Field of Classification Search**
USPC D24/227–230, 222; D6/680.2, 552; 211/39, 163, 60.1, 70.5, 205, 70, 65, 211/196, 75; 422/564, 521, 544, 500, 501, 422/310; 206/317; 248/309.4, 512; D3/259; D7/7
CPC B41K 1/58; A47K 1/09; A47K 5/05; A47F 5/02; A47F 7/0028; A47B 73/00; A63C 11/028; A47G 25/0664; B01L 9/543; B01L 3/565; B01L 2300/0816; B01L 3/0275; C40B 60/14; A61L 2/26; F41C 33/06
See application file for complete search history.

- (56) **References Cited**
U.S. PATENT DOCUMENTS

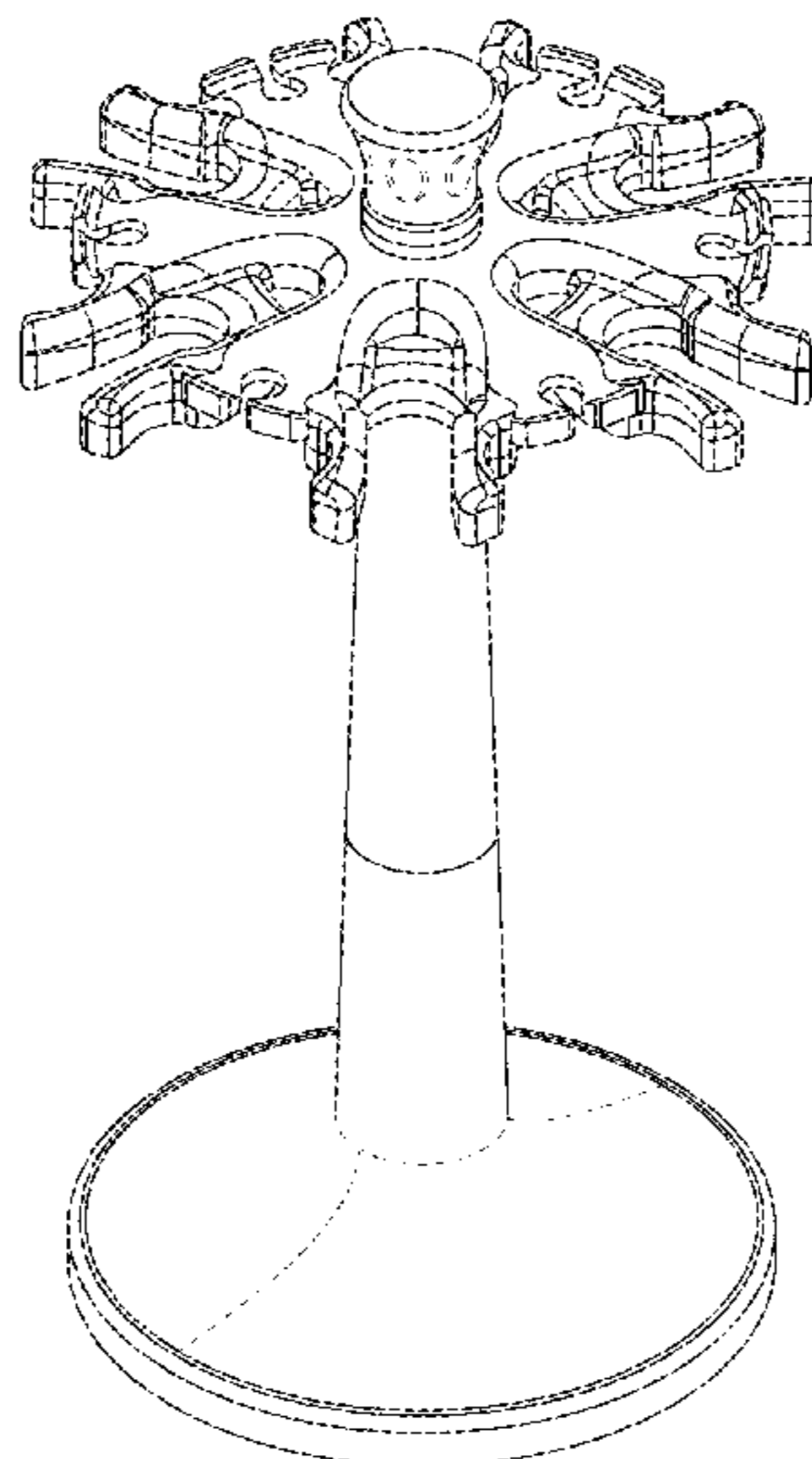
652,257 A 6/1900 Folger

- (57) **CLAIM**
We claim the ornamental design for a pipette stand, as shown and described.

DESCRIPTION

FIG. 1 is a perspective view of a pipette stand.
 FIG. 2 is a left side view of the design shown in FIG. 1, the right side being a mirror image of the left side.
 FIG. 3 is a front view of the design shown in FIG. 1, the rear view being a mirror image of the front view.
 FIG. 4 is a top view of the design shown in FIG. 1; and,
 FIG. 5 is a bottom view of the design shown in FIG. 1.
 The broken lines are included for the purpose of illustrating unclaimed portions of the pipette stand that form no part of the claimed design.

1 Claim, 5 Drawing Sheets



(56)

References Cited

U.S. PATENT DOCUMENTS

8,186,524 B2 *	5/2012	Siahpush	211/196	8,636,259 B2 *	1/2014	Manke et al.	248/512
D662,603 S	6/2012	Greenizen			8,727,140 B2 *	5/2014	Verson	211/163
8,342,341 B2 *	1/2013	Cass et al.	211/70	2003/0106382 A1	6/2003	Shukla et al.		
8,590,715 B2 *	11/2013	Gray	211/75	2008/0290054 A1 *	11/2008	Cass et al.	211/70
					2013/0095508 A1	4/2013	Campitelli et al.		

* cited by examiner

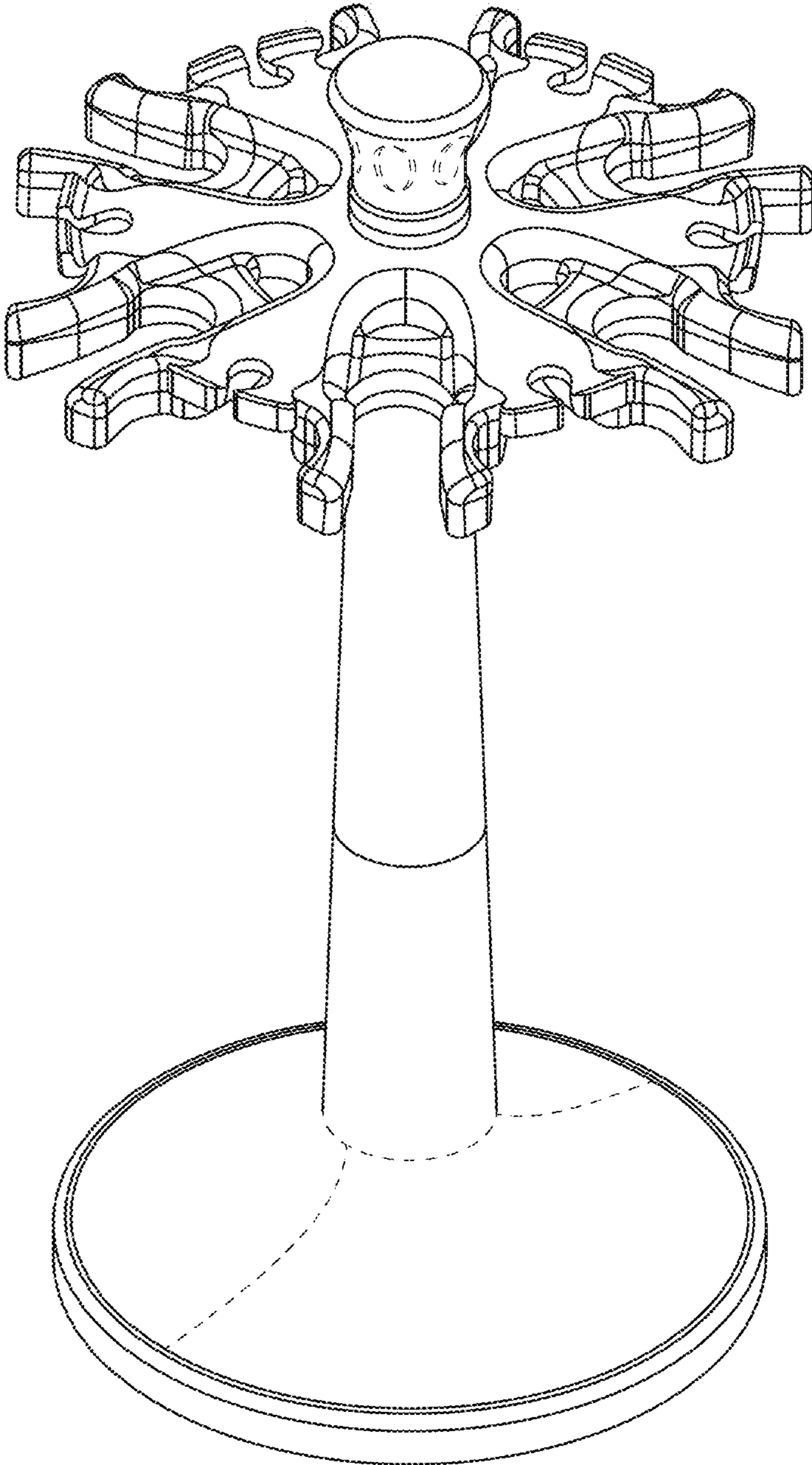


FIG. 1

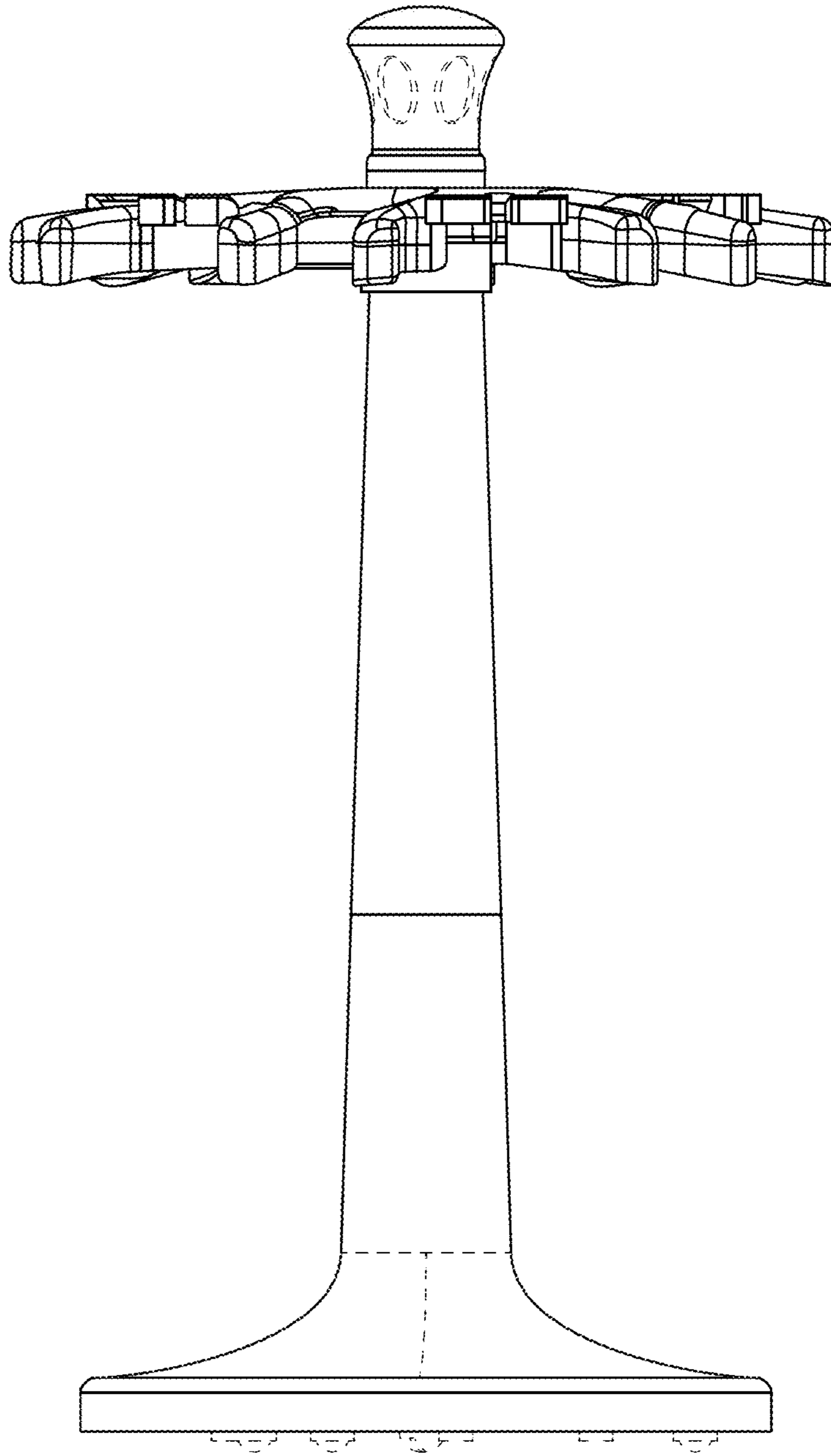


FIG. 2

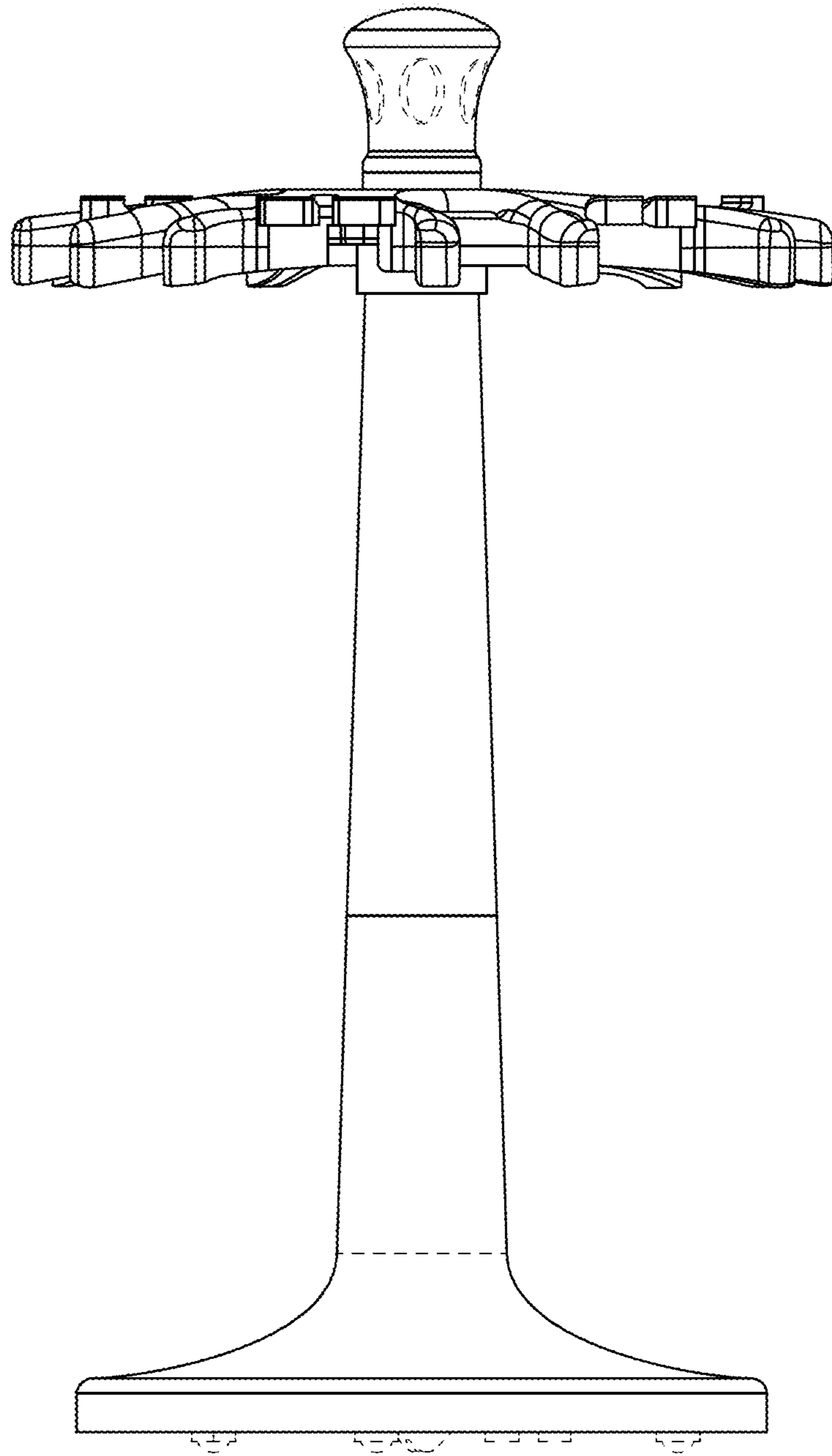


FIG. 3

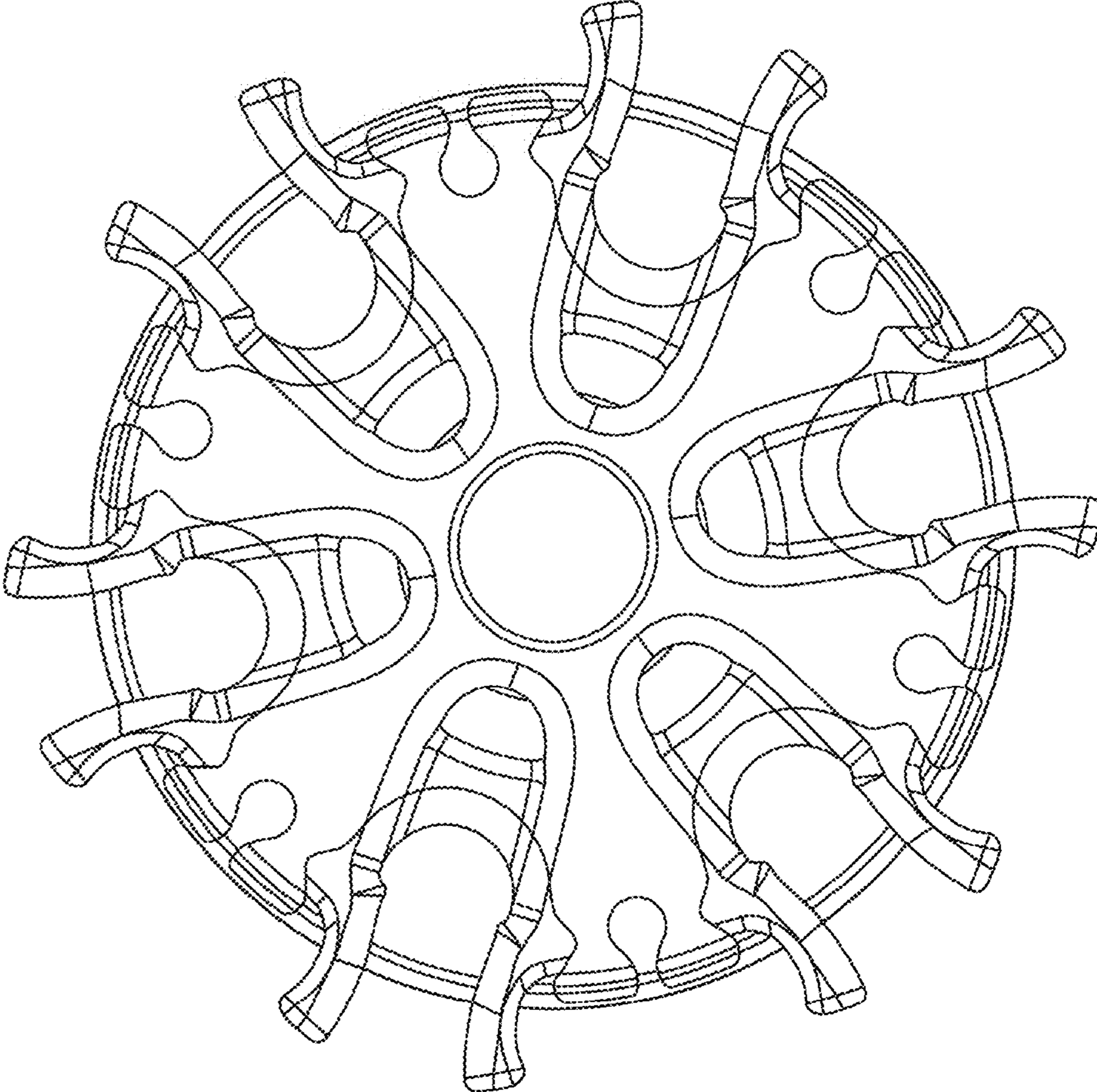


FIG. 4

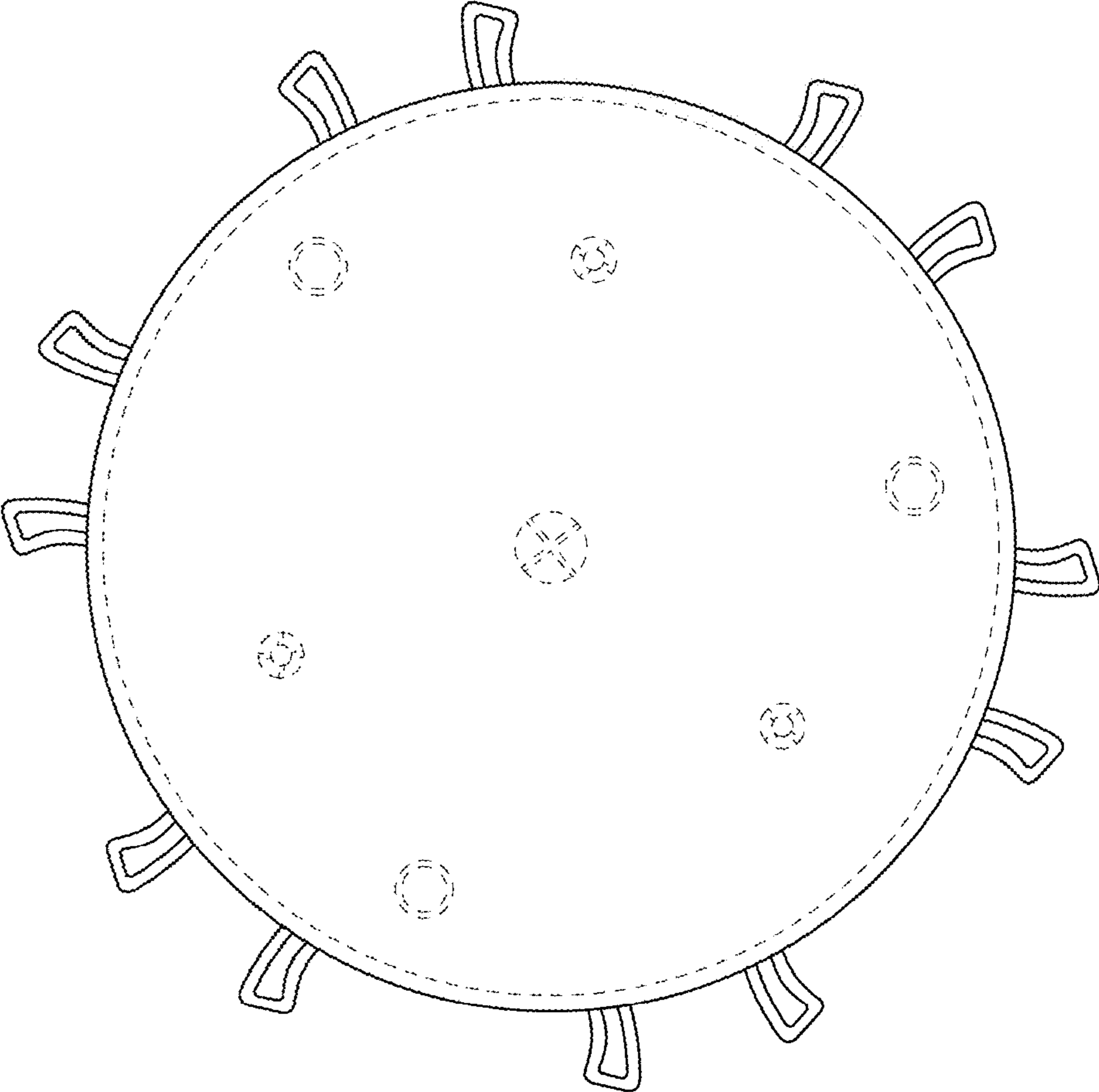


FIG. 5