

US00D763463S

(12) **United States Design Patent**
Hoke et al.

(10) **Patent No.:** **US D763,463 S**
(45) **Date of Patent:** **** Aug. 9, 2016**

(54) **PORTION CUP**
(71) Applicant: **RhinoSystems, Inc.**, Cleveland, OH (US)
(72) Inventors: **Martin R. Hoke**, Lakewood, OH (US); **Robert D. Schilling**, Olmsted Township, OH (US); **Patrick W. Brown**, Auburn, OH (US); **Jeffrey S. Taggart**, McLean, VA (US)
(73) Assignee: **RhinoSystems, Inc.**, Cleveland, OH (US)

D330,418 S 10/1992 Carter
D342,965 S 1/1994 Duke et al.
D352,350 S 11/1994 Rambo et al.
5,382,244 A * 1/1995 Telang A61M 1/0013
604/119
D360,698 S 7/1995 Stevens et al.
D385,756 S 11/1997 Licari
5,720,391 A 2/1998 Dohm et al.
D411,014 S 6/1999 Berger et al.
D419,067 S 1/2000 Guillin
D430,959 S 9/2000 Sheely
D432,280 S 10/2000 Quinlan et al.
D453,822 S 2/2002 Meeks et al.
D460,167 S 7/2002 Murray et al.
D503,785 S 4/2005 Otaki
D522,114 S 5/2006 Otaki
D536,432 S 2/2007 Jackovitch et al.
7,246,715 B2 7/2007 Smith et al.
D556,250 S 11/2007 Kent et al.

(**) Term: **15 Years**

(21) Appl. No.: **29/536,867**

(22) Filed: **Aug. 20, 2015**

Related U.S. Application Data

(60) Division of application No. 29/472,637, filed on Nov. 12, 2013, now Pat. No. Des. 739,552, and a continuation-in-part of application No. 29/360,918, filed on May 3, 2010, now Pat. No. Des. 662,217.

(51) **LOC (10) Cl.** **24-01**

(52) **U.S. Cl.**
USPC **D24/224**

(58) **Field of Classification Search**
USPC D24/121, 216, 223, 224, 227, 108
CPC B01L 2200/0647; B01L 2200/16;
B01L 2300/06; B01L 2300/042; B01L 2300/0829; B01L 2300/0832; B01L 3/502;
B01L 3/508; B01L 2300/0681; B01L 2300/047; B01L 2400/0457; G01N 1/42
See application file for complete search history.

(56) **References Cited**

U.S. PATENT DOCUMENTS

D254,754 S 4/1980 Harrison
4,697,703 A 10/1987 Will
D316,447 S 4/1991 Woodson et al.

(Continued)

Primary Examiner — Anhdao Doan

(74) *Attorney, Agent, or Firm* — Fay Sharpe LLP

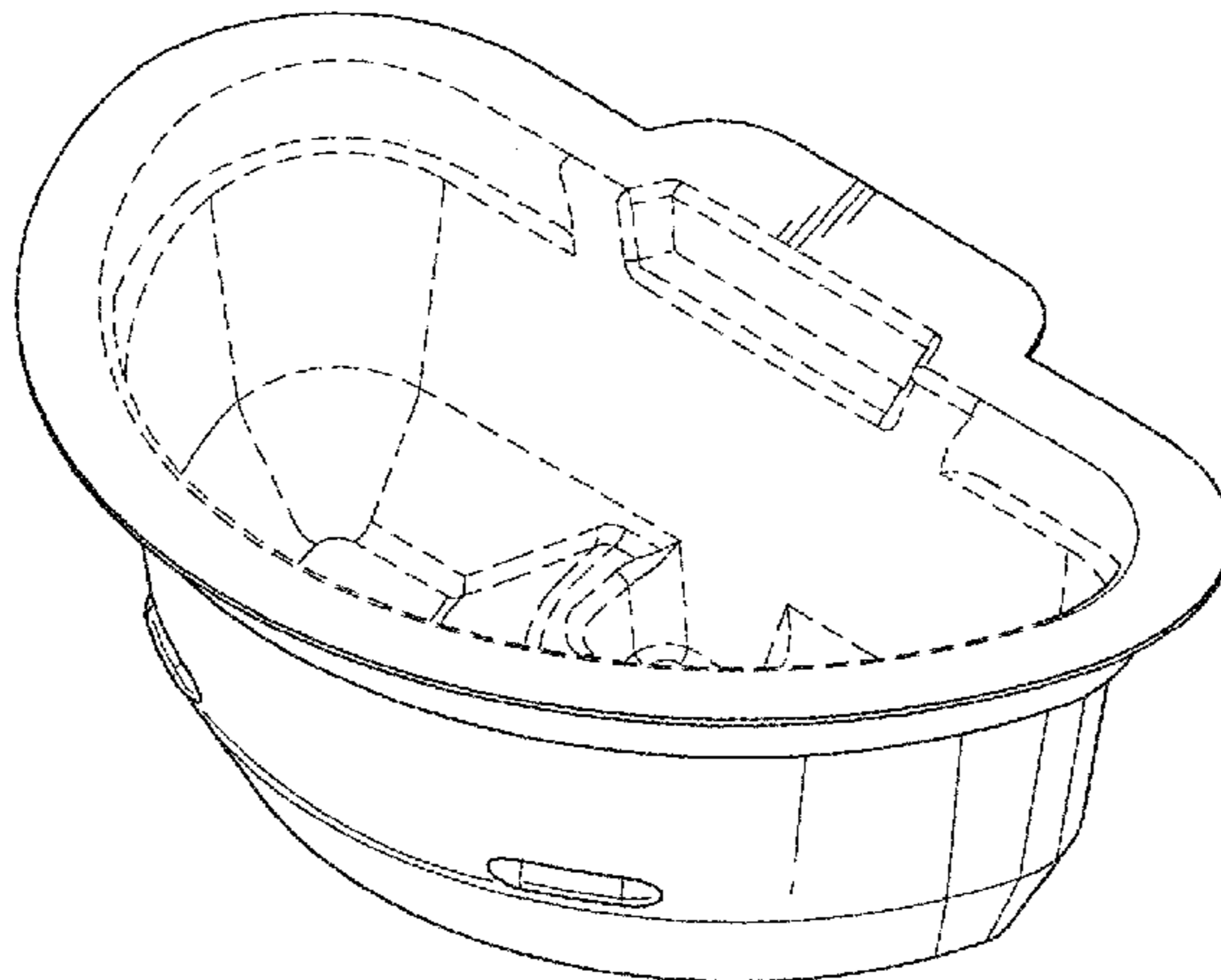
(57) **CLAIM**

The ornamental design for a portion cup, as shown and described.

DESCRIPTION

FIG. 1 is a perspective view of an embodiment looking into the cup;
FIG. 2 is a front plan view thereof;
FIG. 3 is a left side plan view thereof;
FIG. 4 is a back plan view thereof;
FIG. 5 is a right side plan view thereof;
FIG. 6 is a top view looking into the cup;
FIG. 7 is a bottom end view thereof; and,
FIG. 8 is a perspective view thereof.
The broken lines immediately adjacent the shaded areas represent the bounds of the claim, and other broken lines represent environmental structures. The broken lines form no part of the claimed design.

1 Claim, 3 Drawing Sheets



(56)

References Cited

U.S. PATENT DOCUMENTS

D566,256 S 4/2008 Abate et al.
D573,412 S 7/2008 Ablo
D578,628 S 10/2008 Yoo et al.
D597,203 S 7/2009 Tauer
D597,642 S 8/2009 Kaiser et al.
D605,754 S 12/2009 Nelson et al.
D607,557 S 1/2010 Wiggins
D611,768 S 3/2010 Muhl et al.
D615,179 S 5/2010 Borgi
D620,589 S 7/2010 Rucinski

D623,287 S * 9/2010 Hoke D24/108
D625,956 S 10/2010 Goddard-Clark et al.
D625,961 S 10/2010 Kent
D629,119 S 12/2010 Motadel
7,850,006 B2 12/2010 Uchiyama
D662,219 S 6/2012 Perrin et al.
D710,701 S 8/2014 Lai
D711,195 S 8/2014 Cornu et al.
2005/0042145 A1 2/2005 Ueda et al.
2005/0183971 A1 8/2005 Petricca
2009/0208377 A1 * 8/2009 Fetvedt B01L 3/508
422/400
2012/0330239 A1 12/2012 Hoke

* cited by examiner

FIG. 1

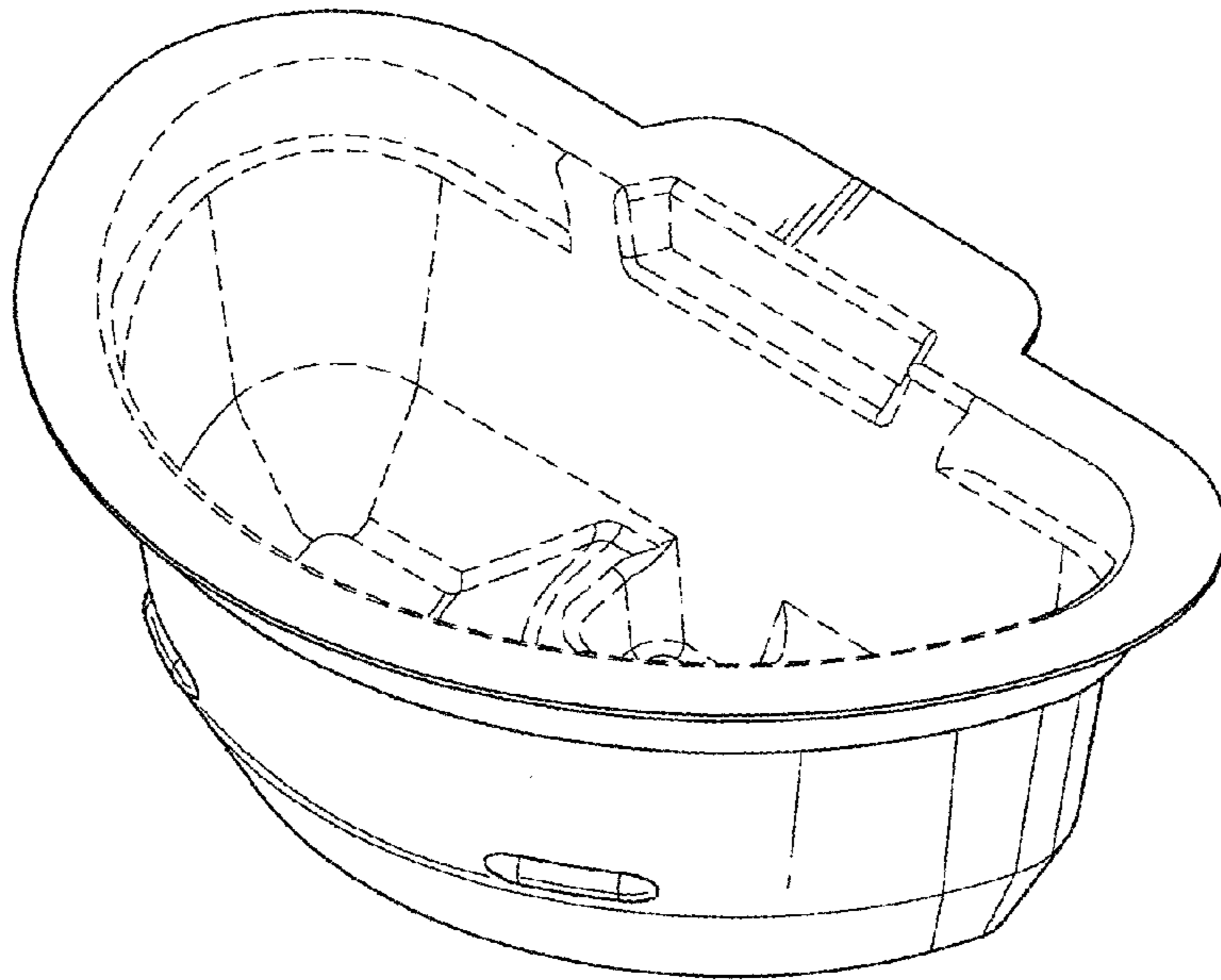
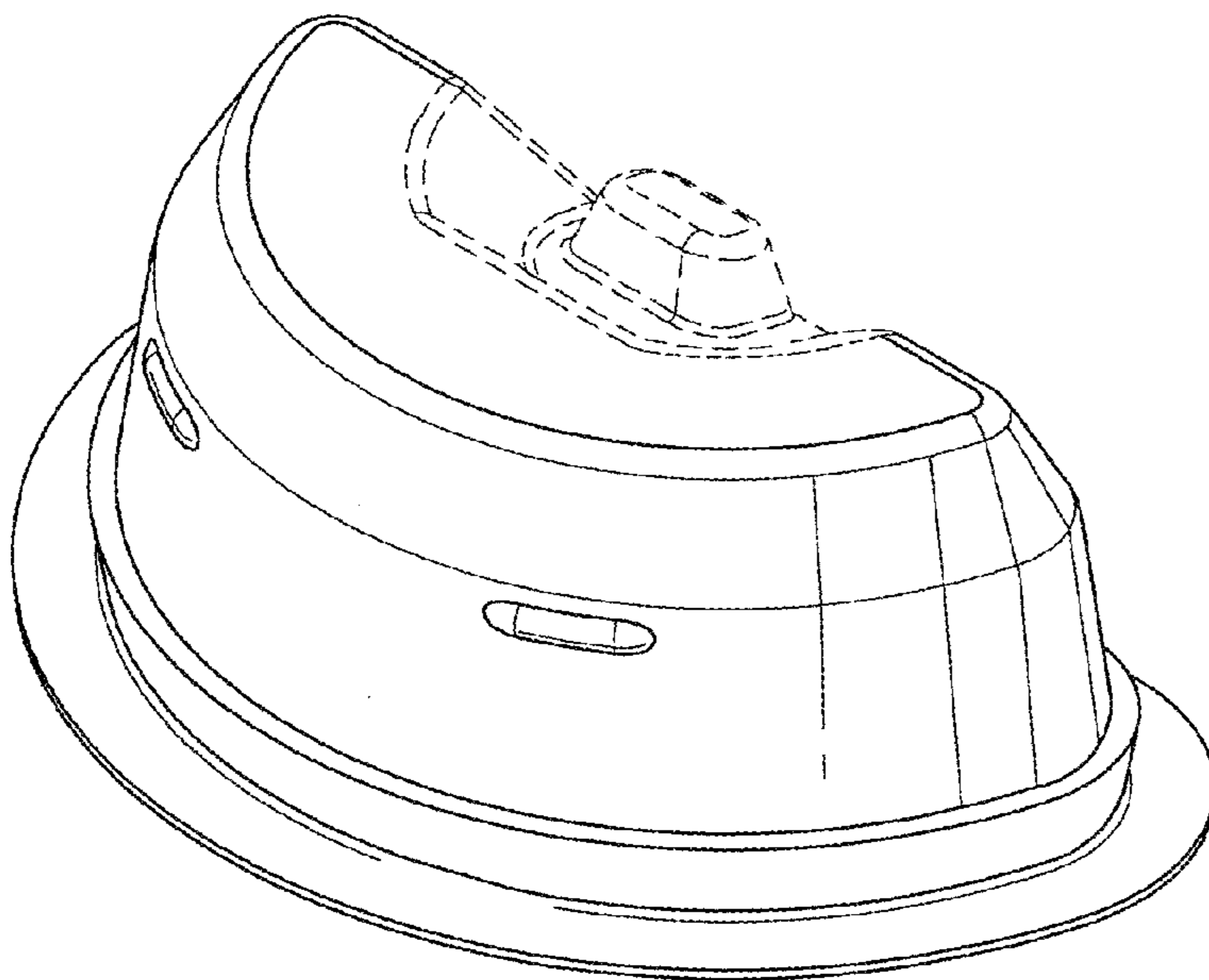


FIG. 8



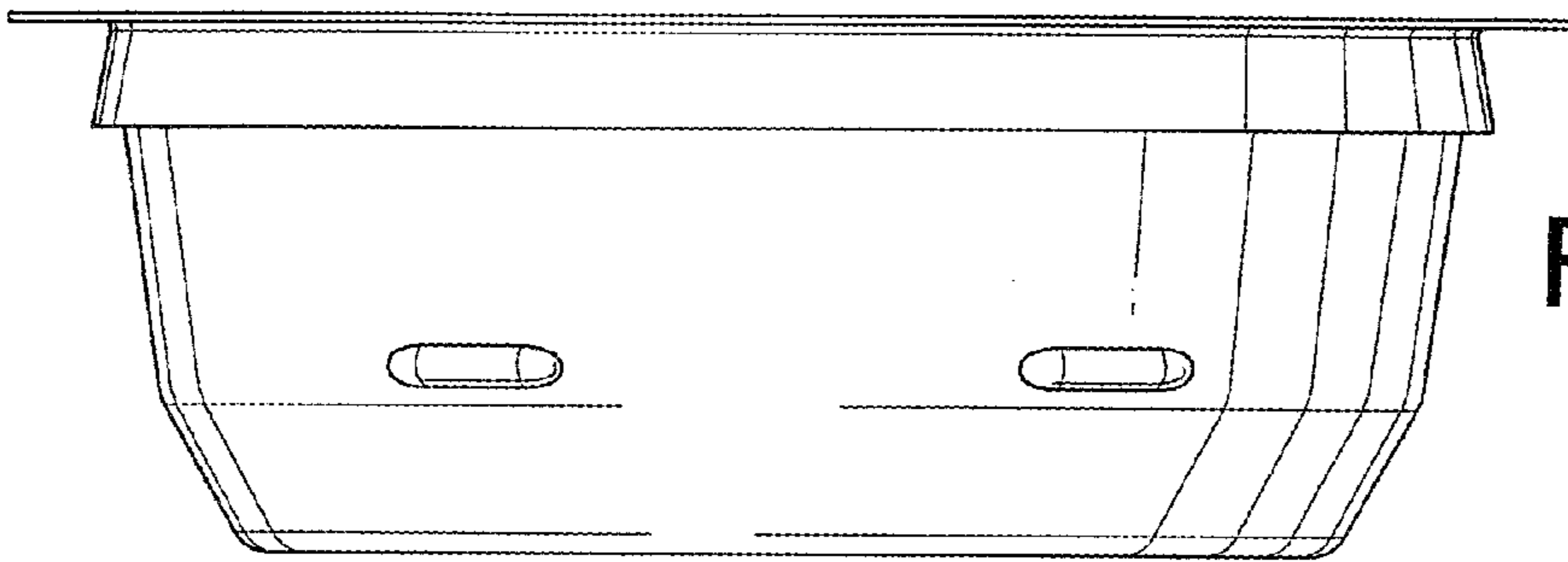


FIG. 2

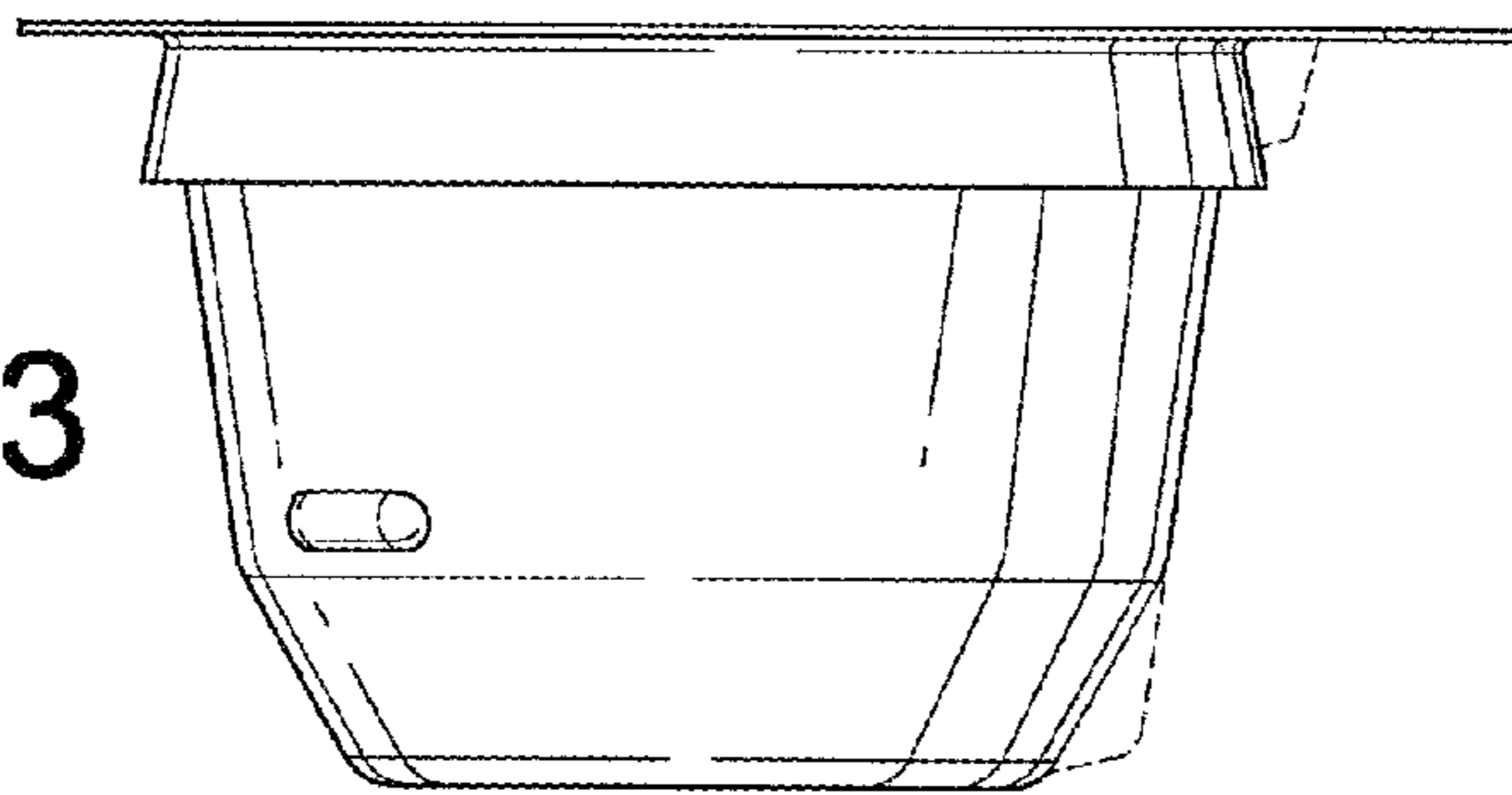


FIG. 3

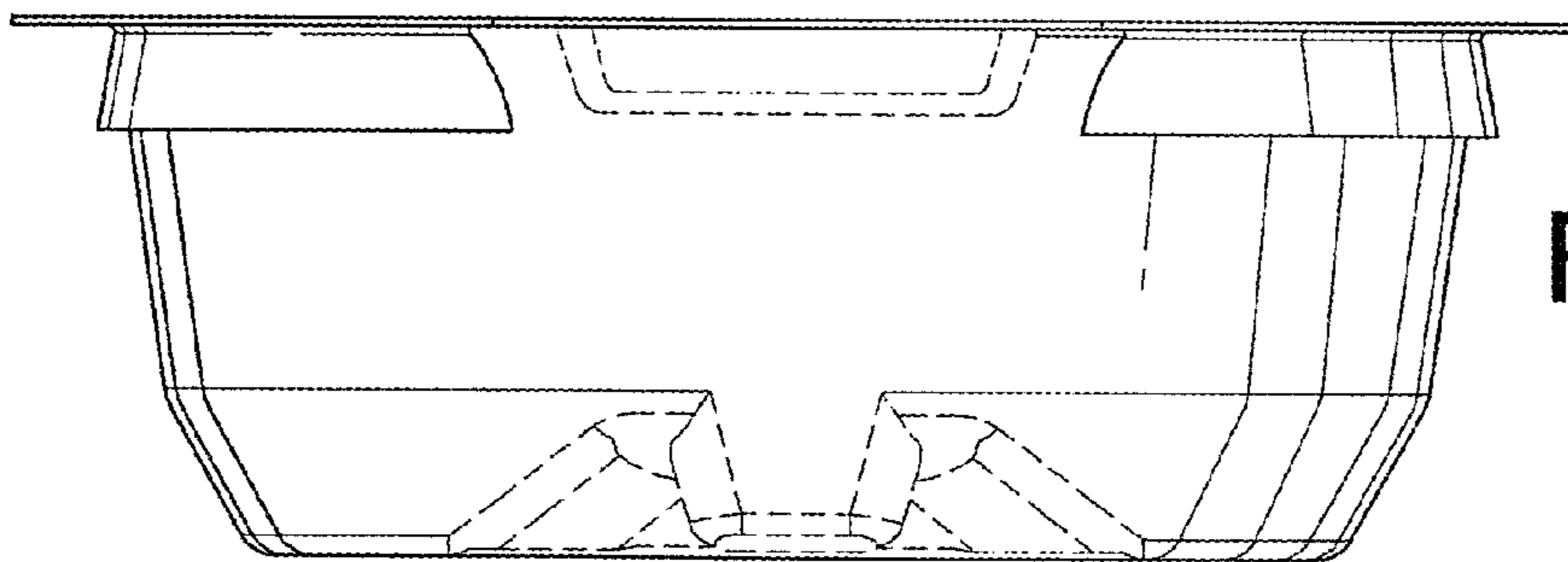


FIG. 4

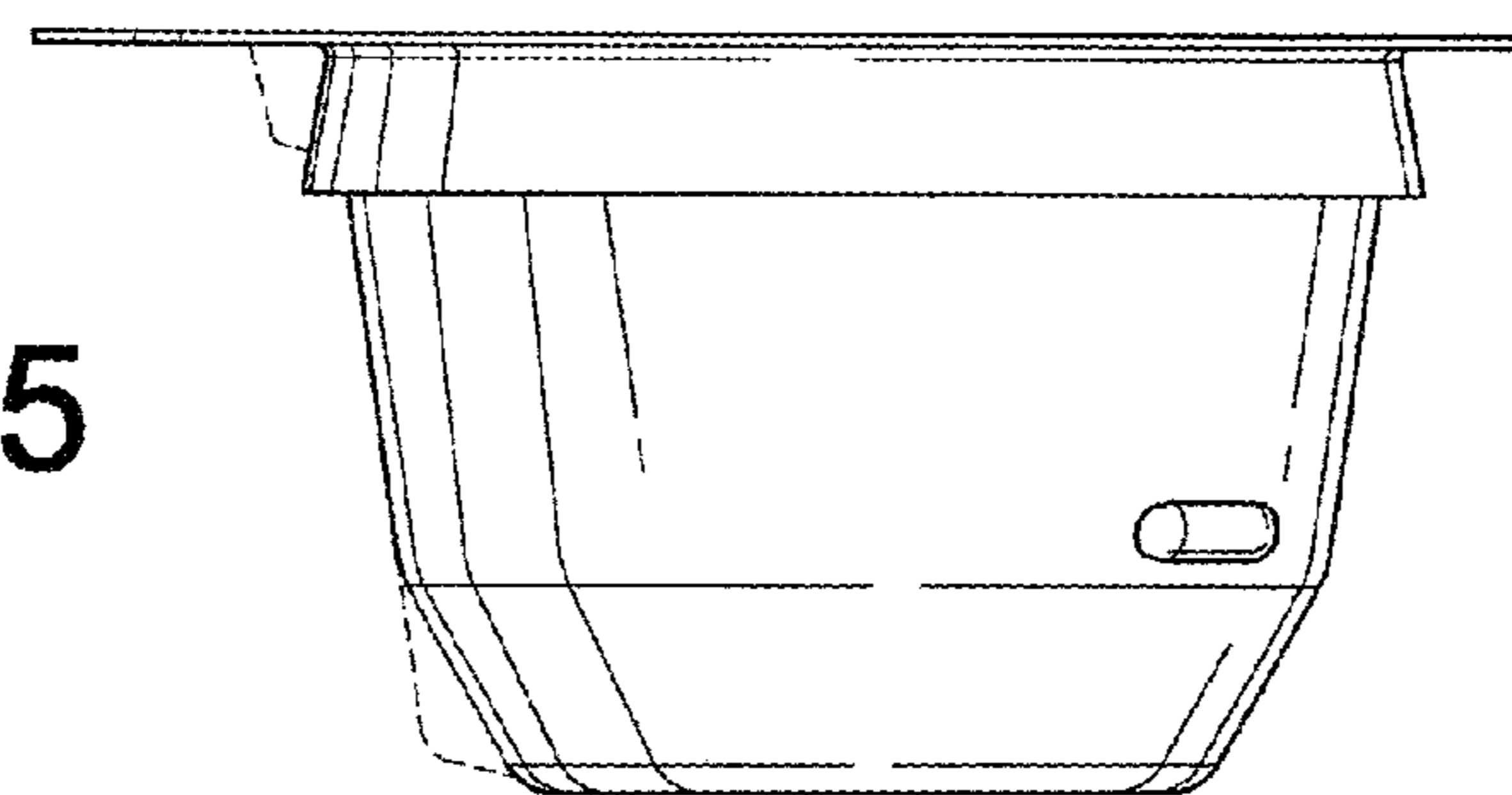


FIG. 5

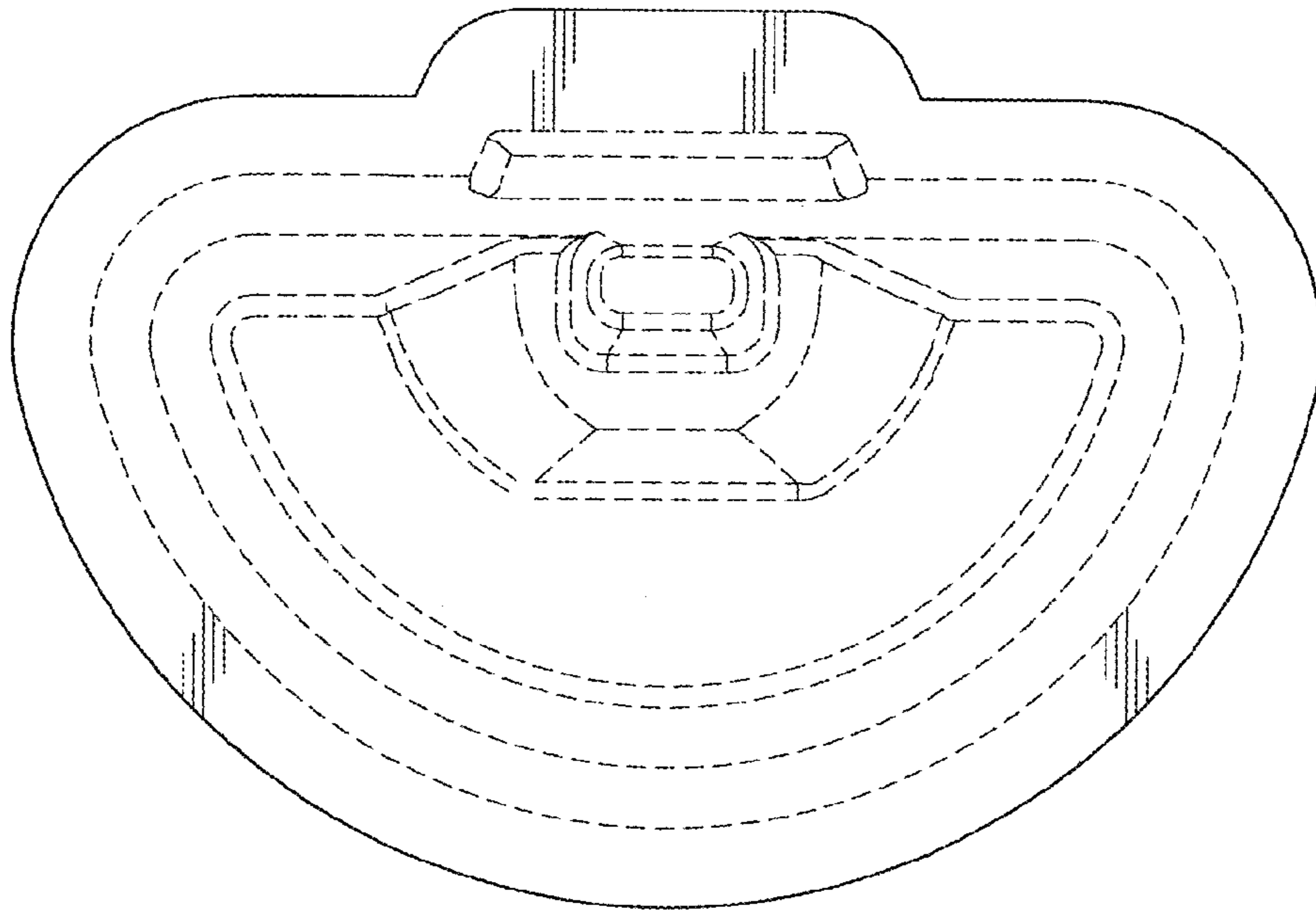


FIG. 6

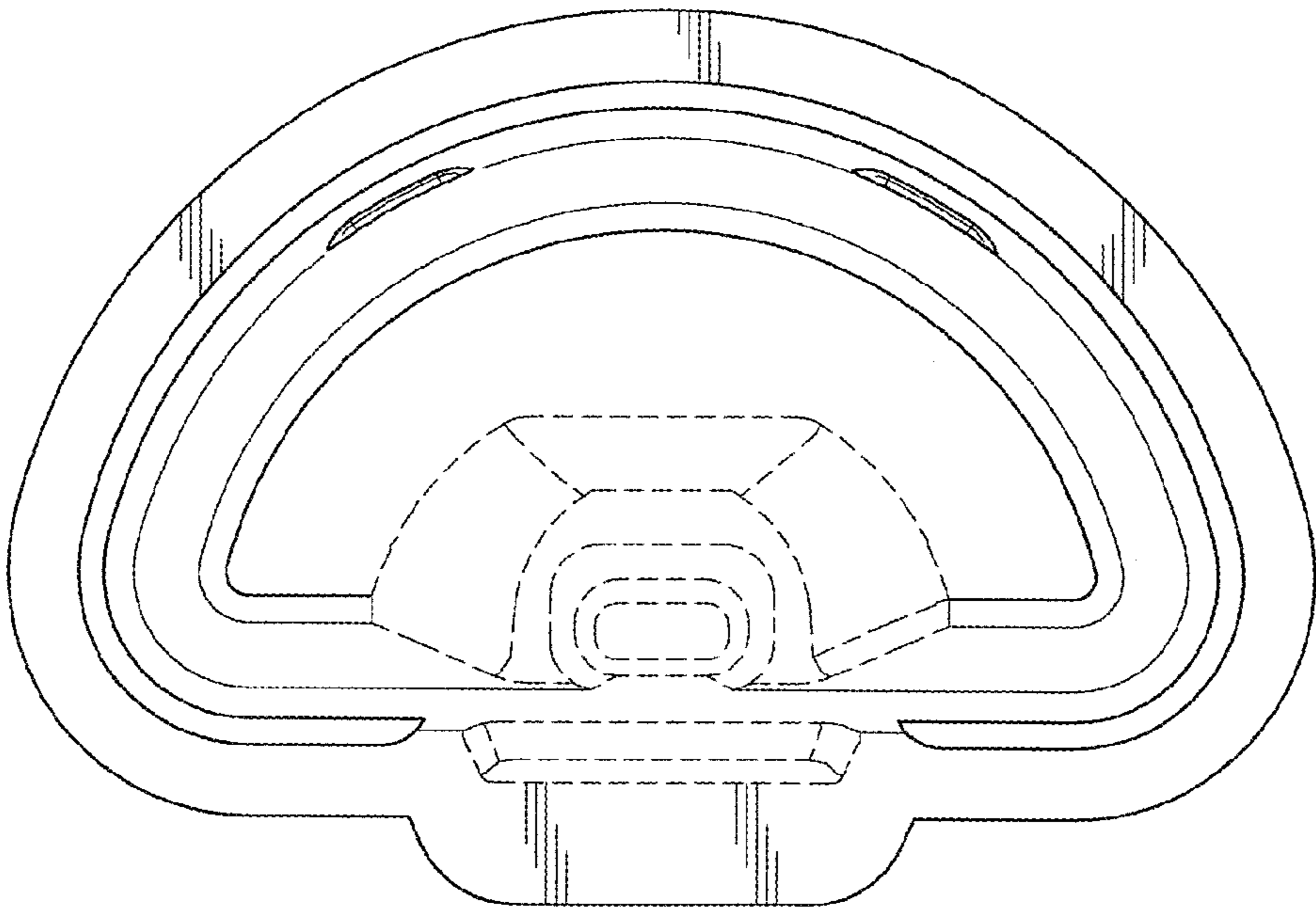


FIG. 7