



US00D763462S

(12) **United States Design Patent**  
**Piccirillo**

(10) **Patent No.:** **US D763,462 S**  
(45) **Date of Patent:** **\*\* Aug. 9, 2016**

(54) **BABY SOOTHING DEVICE**

(56) **References Cited**

(71) Applicant: **BABY SOOTHE, INC.**, Staten Island, NY (US)

U.S. PATENT DOCUMENTS

(72) Inventor: **Lauren Piccirillo**, Staten Island, NY (US)

4,681,096 A	7/1987	Cuervo	
5,183,034 A	2/1993	Yamasaki et al.	
D346,449 S *	4/1994	Cheng .....	D24/211
5,356,369 A	10/1994	Yamasaki et al.	
5,447,491 A	9/1995	Bellandi et al.	
D375,166 S *	10/1996	Goulding-Thompson ..	D24/211
5,582,582 A	12/1996	Chapman	
D382,971 S *	8/1997	Haldi .....	D24/211
5,660,597 A	8/1997	Fox et al.	
D412,989 S *	8/1999	Chen .....	D24/211
D419,680 S *	1/2000	Chen .....	D24/211
D422,085 S *	3/2000	Chen .....	D24/211
D422,087 S *	3/2000	Chen .....	D24/211
6,142,963 A	11/2000	Black et al.	
6,241,694 B1 *	6/2001	Goulding-Thompson .....	A61H 7/001 601/134
6,494,849 B2	12/2002	Kuo	

(73) Assignee: **Baby Soothe Inc.**, Staten Island, NY (US)

(\*\*) Term: **15 Years**

(21) Appl. No.: **29/534,806**

(22) Filed: **Jul. 31, 2015**

**Related U.S. Application Data**

(62) Division of application No. 14/446,787, filed on Jul. 30, 2014.

(51) **LOC (10) Cl.** ..... **28-03**

(52) **U.S. Cl.**  
USPC ..... **D24/215**

(58) **Field of Classification Search**

USPC ..... D24/200, 211, 212, 213, 214, 215, 189;  
601/19, 27-32, 46, 49, 52, DIG. 12,  
601/DIG. 14, DIG. 15, DIG. 16, DIG. 17, 48  
CPC ..... A61H 2201/0153; A61H 2201/0207;  
A61H 2201/0263; A61H 2201/0111; A61H  
2201/1253; A61H 2205/082; A61H 2205/085;  
A61H 15/0085; A61H 19/00; A61H 19/30;  
A61H 19/32; A61H 19/40; A61H 19/44;  
A61H 19/50

See application file for complete search history.

*Primary Examiner* — Sandra Snapp

(74) *Attorney, Agent, or Firm* — Lando & Anastasi, LLP

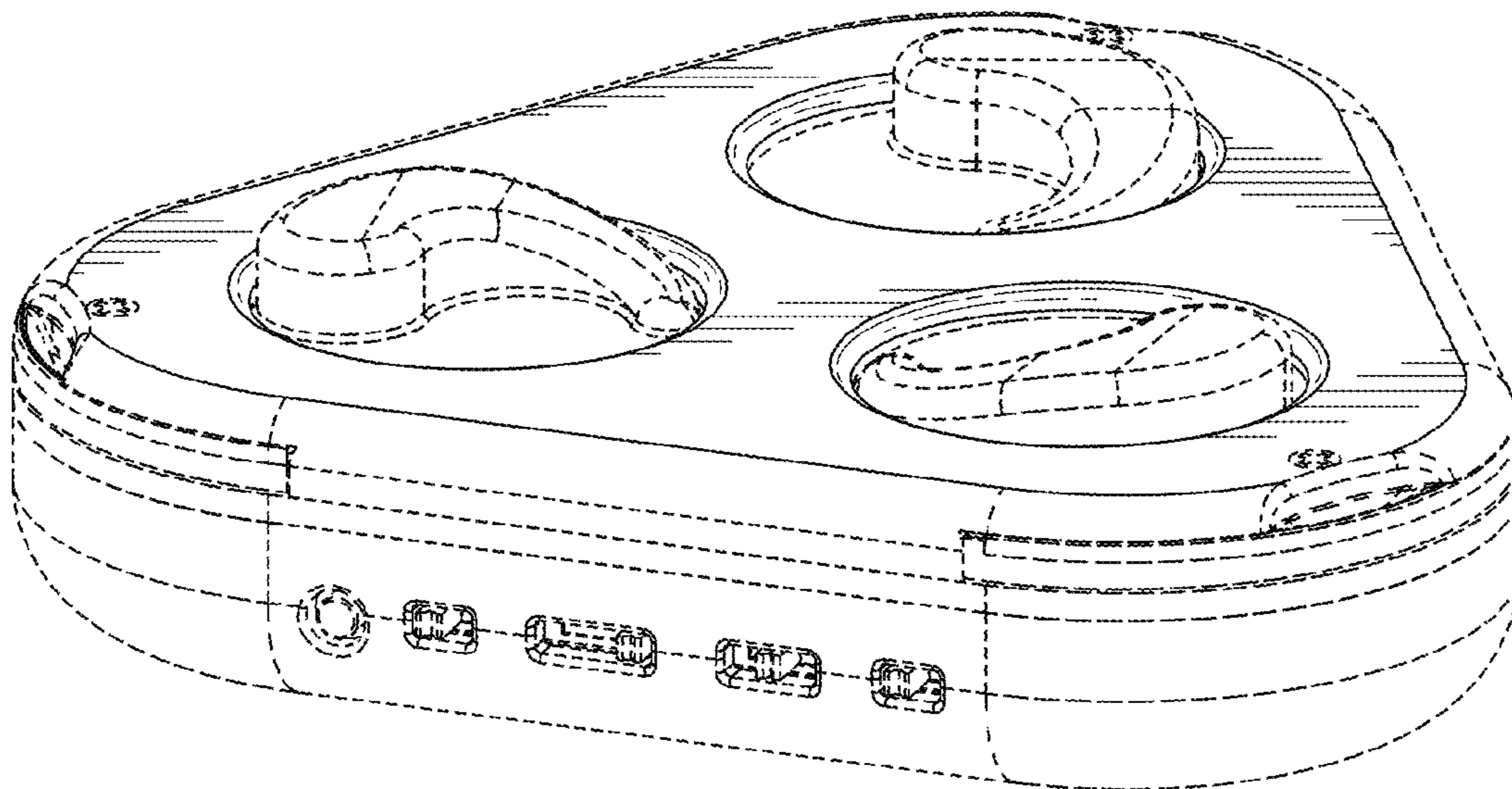
(57) **CLAIM**

The ornamental design for a baby soothing device, as shown and described.

**DESCRIPTION**

FIG. 1 is a top perspective view of a baby soothing device; FIG. 2 is a front view of a baby soothing device; FIG. 3 is a rear view of a baby soothing device; FIG. 4 is a right side view of a baby soothing device; FIG. 5 is a left side view of a baby soothing device; FIG. 6 is a top view of a baby soothing device; and, FIG. 7 is a bottom view of a baby soothing device. The broken lines shown in the figures are for environmental purposes only and form no part of the claimed design.

**1 Claim, 7 Drawing Sheets**



(56)

**References Cited**

U.S. PATENT DOCUMENTS

7,081,099 B1 7/2006 Luo  
7,128,721 B2 10/2006 Ferber et al.  
D535,033 S \* 1/2007 Elliott ..... D24/214  
D542,926 S \* 5/2007 Louis ..... D24/214  
D558,886 S \* 1/2008 Chen ..... D24/214

7,431,706 B2 \* 10/2008 Louis ..... A61H 7/001  
601/135  
D628,707 S \* 12/2010 Bauerfeind ..... D24/211  
D630,760 S \* 1/2011 Imboden ..... D24/211  
8,361,000 B2 1/2013 Gaspard  
D718,460 S \* 11/2014 Bird ..... D24/215

\* cited by examiner

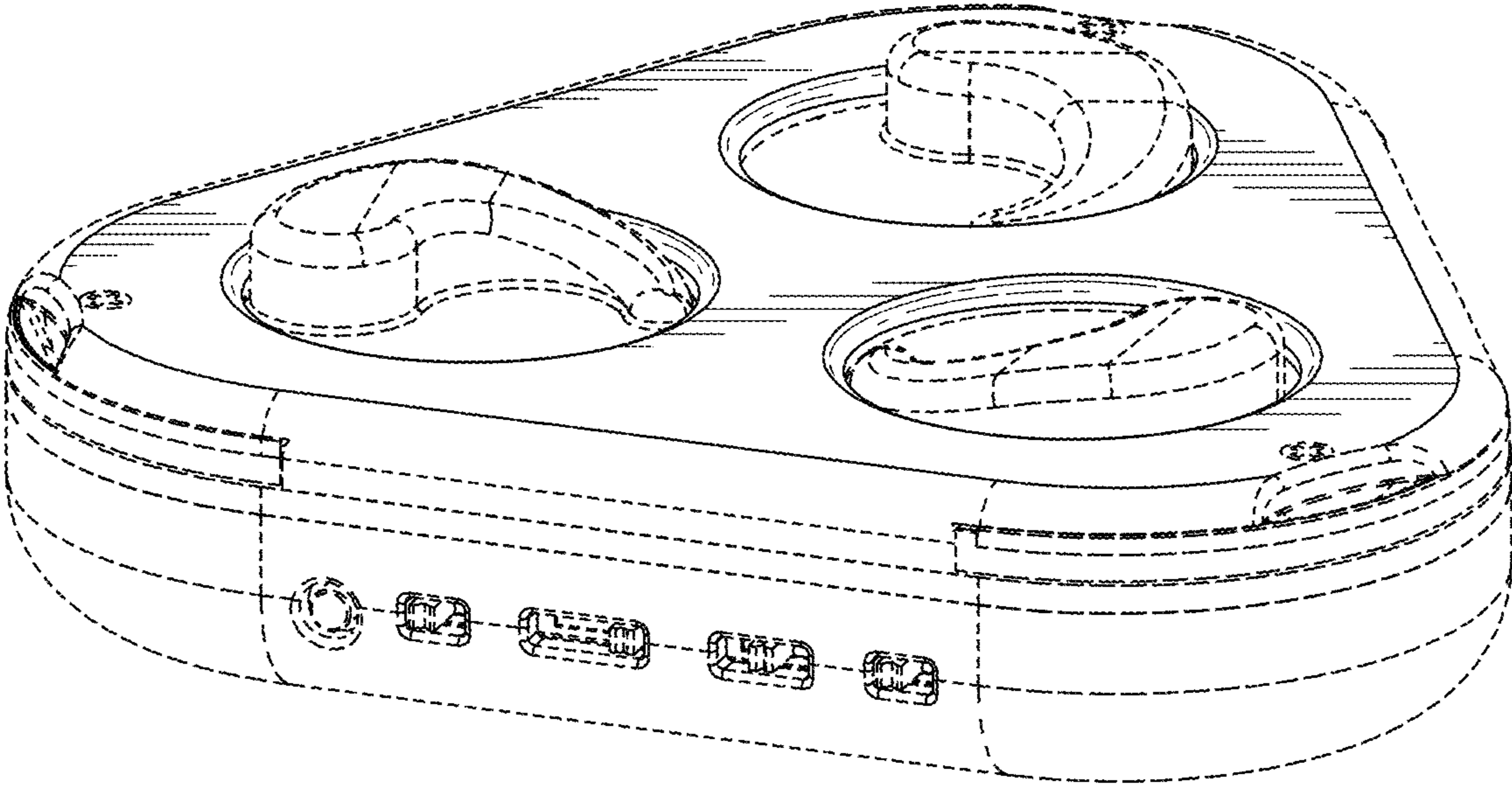


FIG. 1

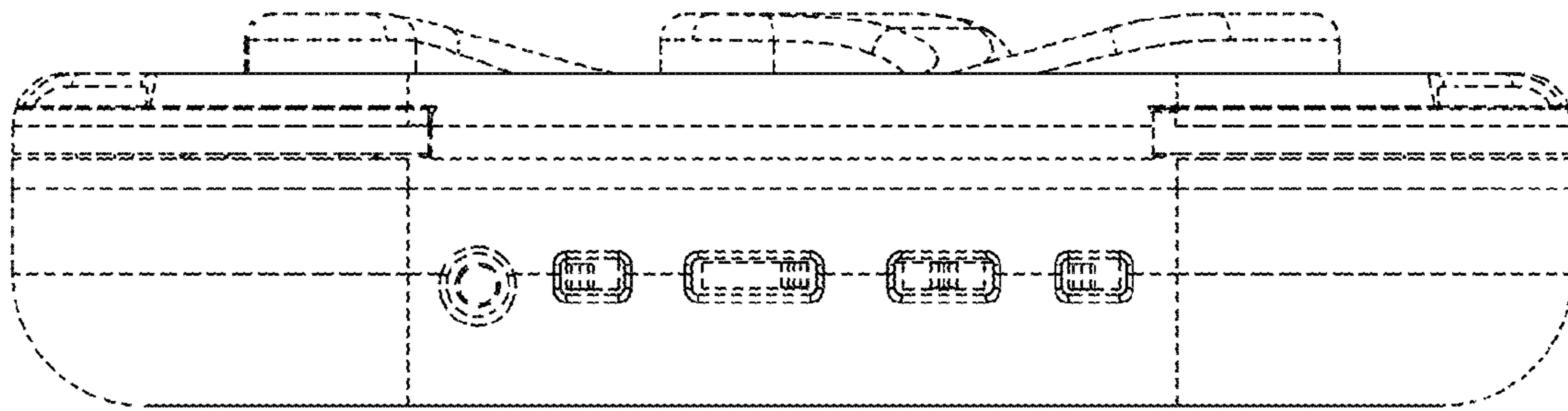


FIG. 2

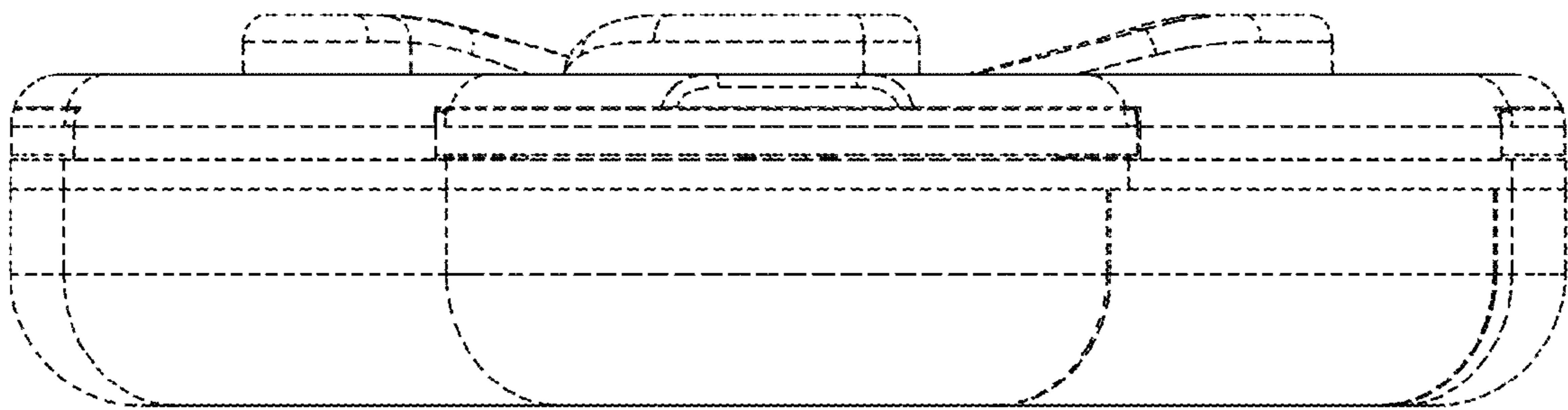


FIG. 3

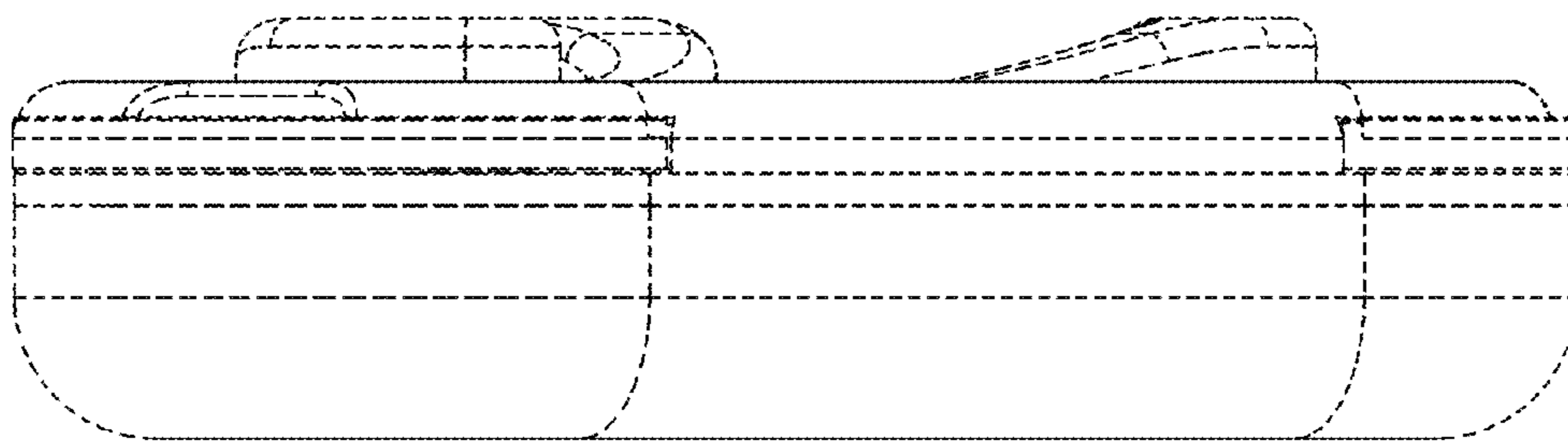


FIG. 4

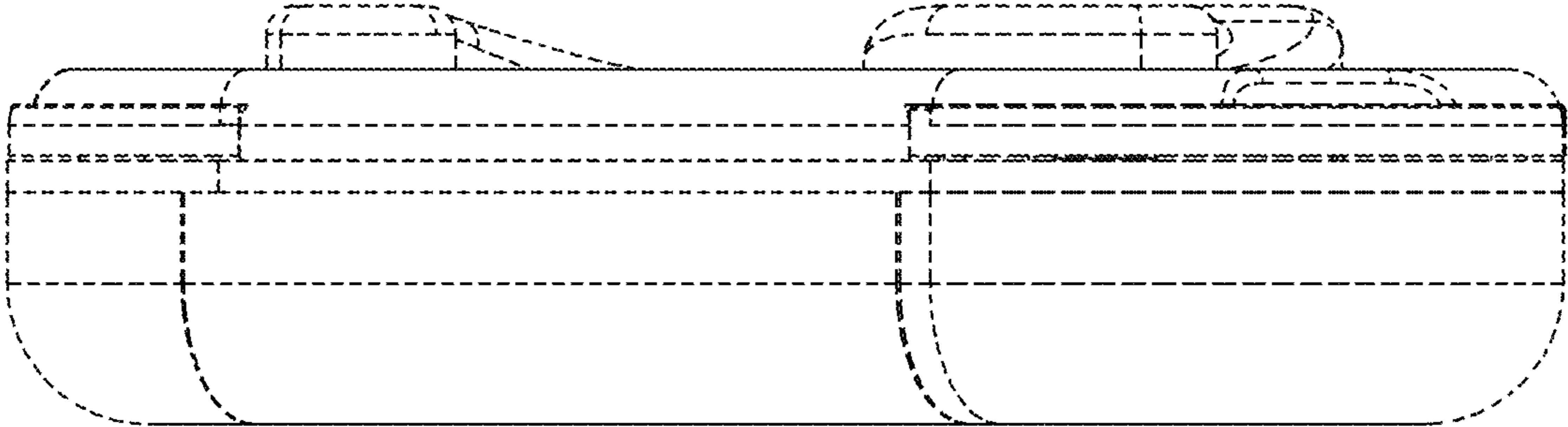


FIG. 5



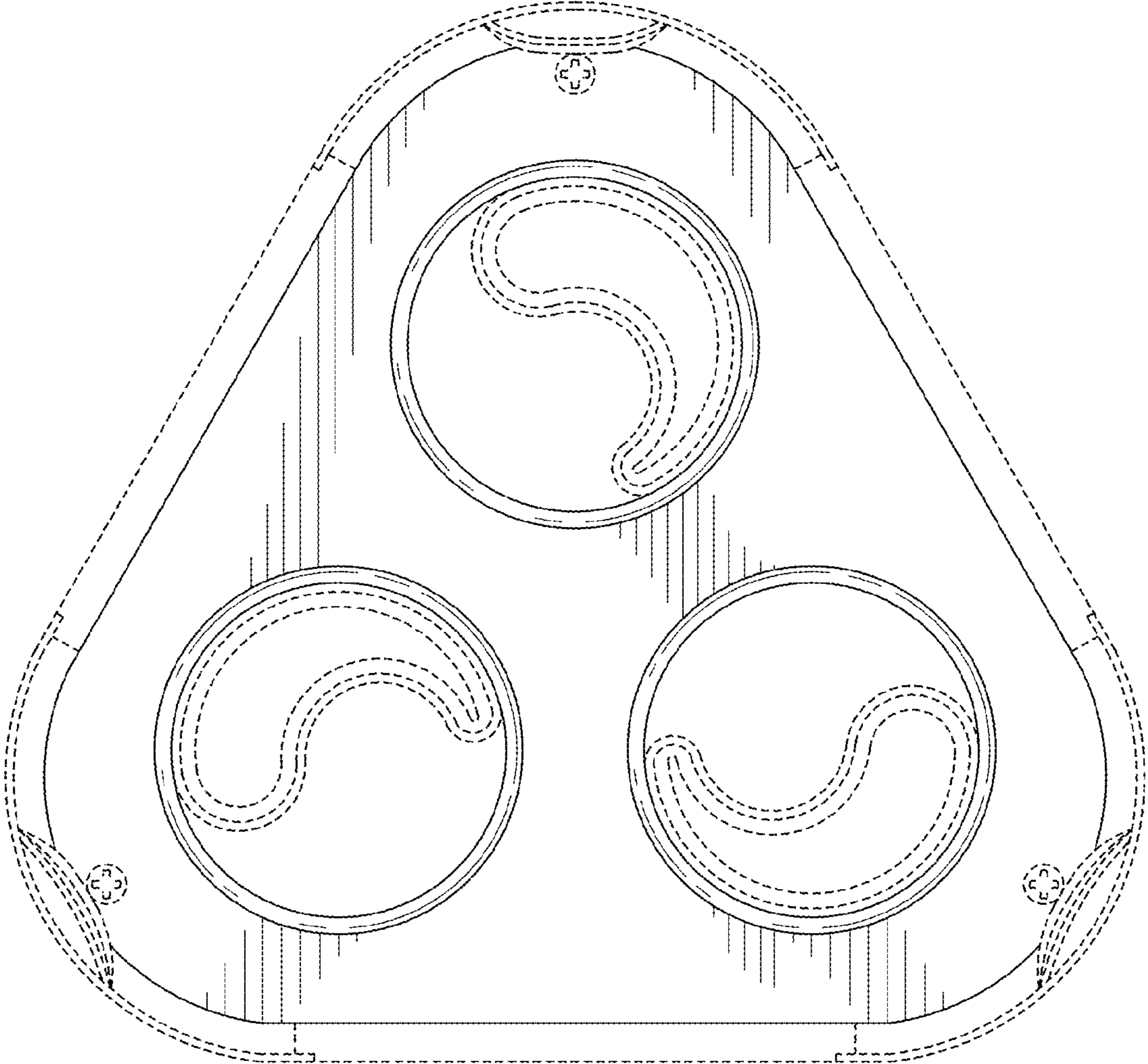


FIG. 6



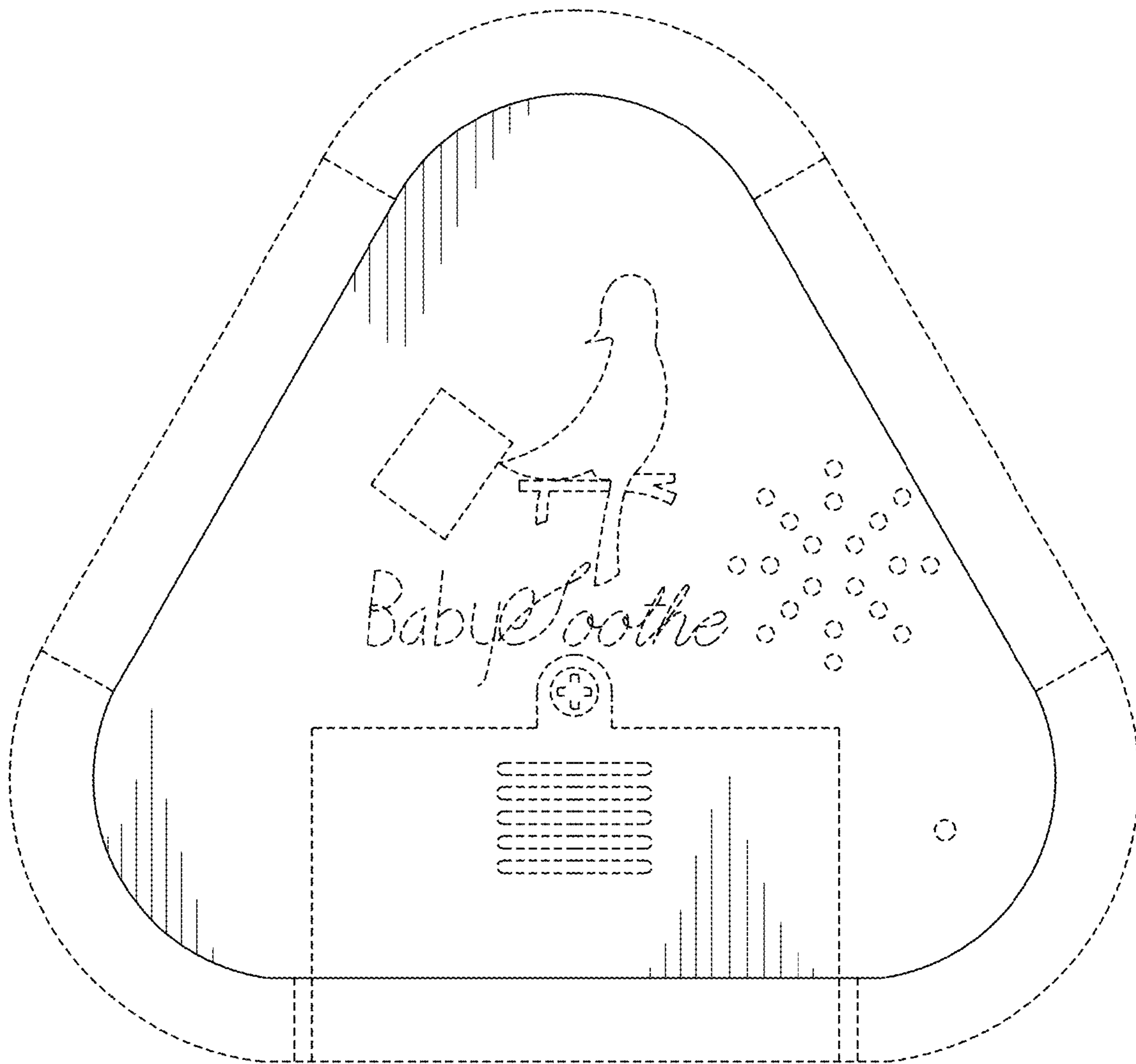


FIG. 7