

US00D763461S

(12) **United States Design Patent**  
**Ma**

(10) **Patent No.:** **US D763,461 S**  
(45) **Date of Patent:** **\*\* Aug. 9, 2016**

(54) **HEAD MASSAGER**  
(71) Applicant: **SHENZHEN BREO TECHNOLOGY CO., LTD.**, Shenzhen (CN)  
(72) Inventor: **Xuejun Ma**, Shenzhen (CN)  
(73) Assignee: **SHENZHEN BREO TECHNOLOGY CO., LTD.**, Shenzhen (CN)

5,421,799 A \* 6/1995 Rabin ..... A61H 7/006  
2/410  
D368,141 S \* 3/1996 Rabin ..... D24/215  
D405,537 S \* 2/1999 Taylor ..... D24/215  
6,691,324 B1 \* 2/2004 Nakamura ..... A42B 3/00  
2/412  
6,986,169 B2 \* 1/2006 Nakamura ..... A42B 3/00  
2/410

(\*\*) Term: **15 Years**

\* cited by examiner

*Primary Examiner* — Sandra Snapp

(21) Appl. No.: **29/528,445**

(74) *Attorney, Agent, or Firm* — Hamre, Schumann, Mueller & Larson, P.C.

(22) Filed: **May 28, 2015**

(57) **CLAIM**

(51) **LOC (10) Cl.** ..... **28-03**

The ornamental design for a “head massager,” as shown and described.

(52) **U.S. Cl.**

USPC ..... **D24/215**

**DESCRIPTION**

(58) **Field of Classification Search**

USPC ..... D24/200, 211, 212, 213, 214, 215, 189;  
601/19, 27–32, 46, 49, 52, DIG. 12,  
601/DIG. 14, DIG. 15, DIG. 16, DIG. 17, 48  
CPC ..... A61H 2201/0153; A61H 2201/0207;  
A61H 2201/0263; A61H 2201/0111; A61H  
2201/1253; A61H 2205/082; A61H 2205/085;  
A61H 15/0085; A61H 19/00; A61H 19/30;  
A61H 19/32; A61H 19/40; A61H 19/44;  
A61H 19/50

FIG. 1 is a perspective view of the head massager;  
FIG. 2 is a front view of the head massager;  
FIG. 3 is a rear view of the head massager;  
FIG. 4 is a left view of the head massager;  
FIG. 5 is a right view of the head massager;  
FIG. 6 is a top view of the head massager;  
FIG. 7 is a bottom view of the head massager;  
FIG. 8 is a perspective view of the head massager in an open state;  
FIG. 9 is a front view of the head massager in an open state;  
FIG. 10 is a rear view of the head massager in an open state;  
FIG. 11 is a left view of the head massager in an open state;  
FIG. 12 is a right view of the head massager in an open state;  
FIG. 13 is a top view of the head massager in an open state;  
and,  
FIG. 14 is a bottom view of the head massager in an open state.

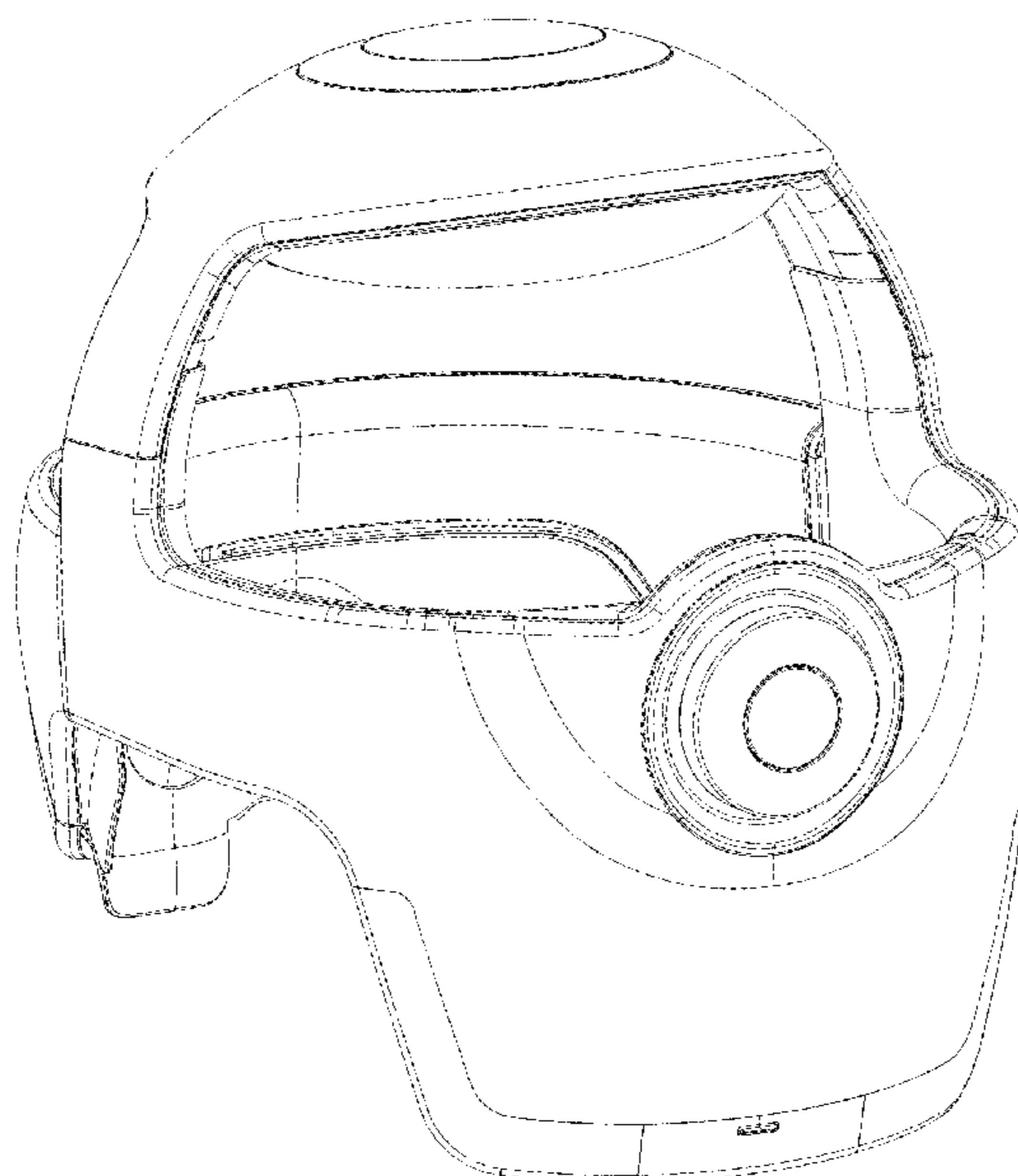
See application file for complete search history.

(56) **References Cited**

**U.S. PATENT DOCUMENTS**

D233,632 S \* 11/1974 Krik ..... D24/214  
4,675,919 A \* 6/1987 Heine ..... A42B 3/14  
2/181  
5,277,174 A \* 1/1994 Schmidhauser ..... A61H 7/006  
601/70  
D348,520 S \* 7/1994 Wolf ..... D24/200

**1 Claim, 12 Drawing Sheets**



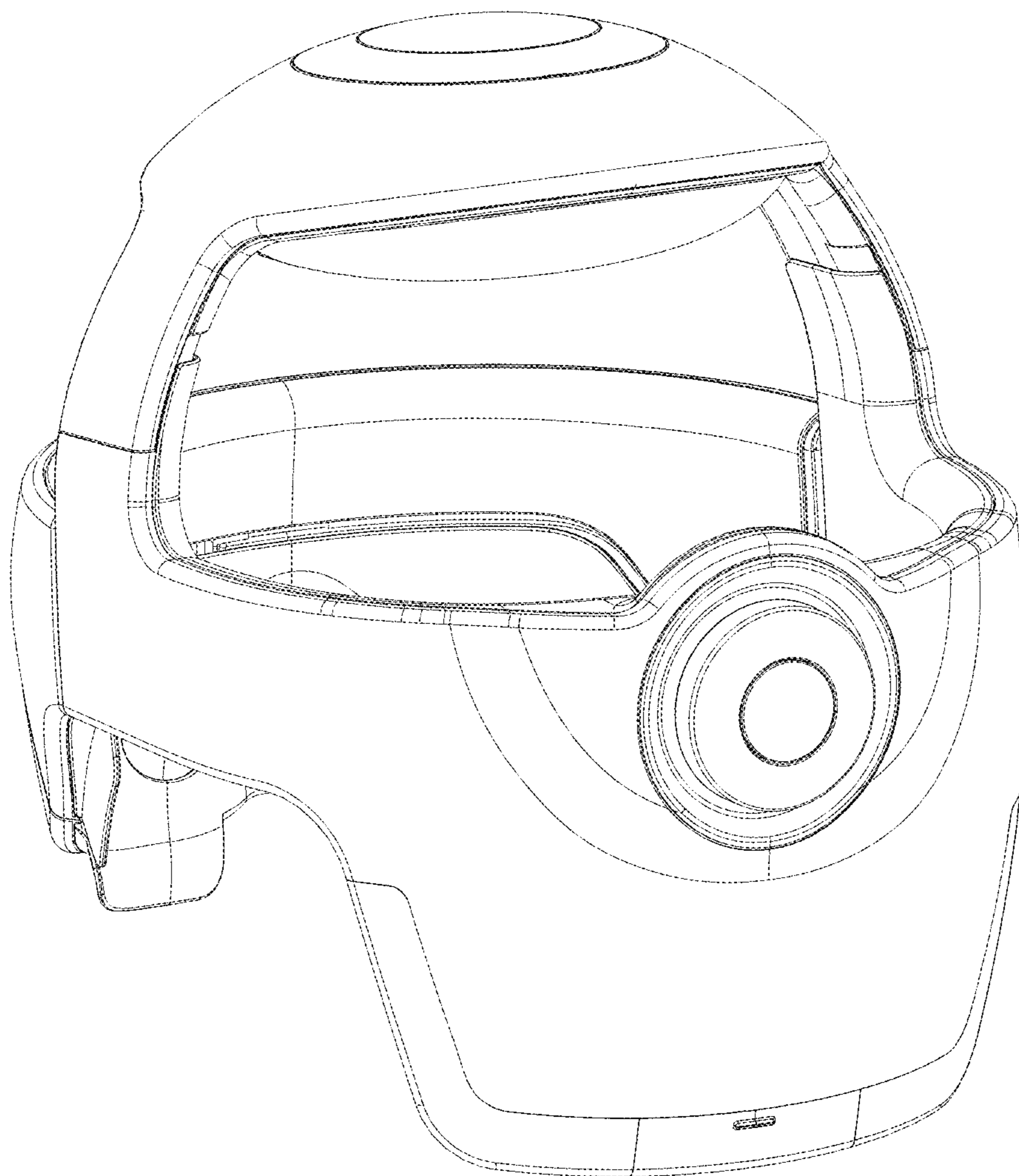


FIG.1

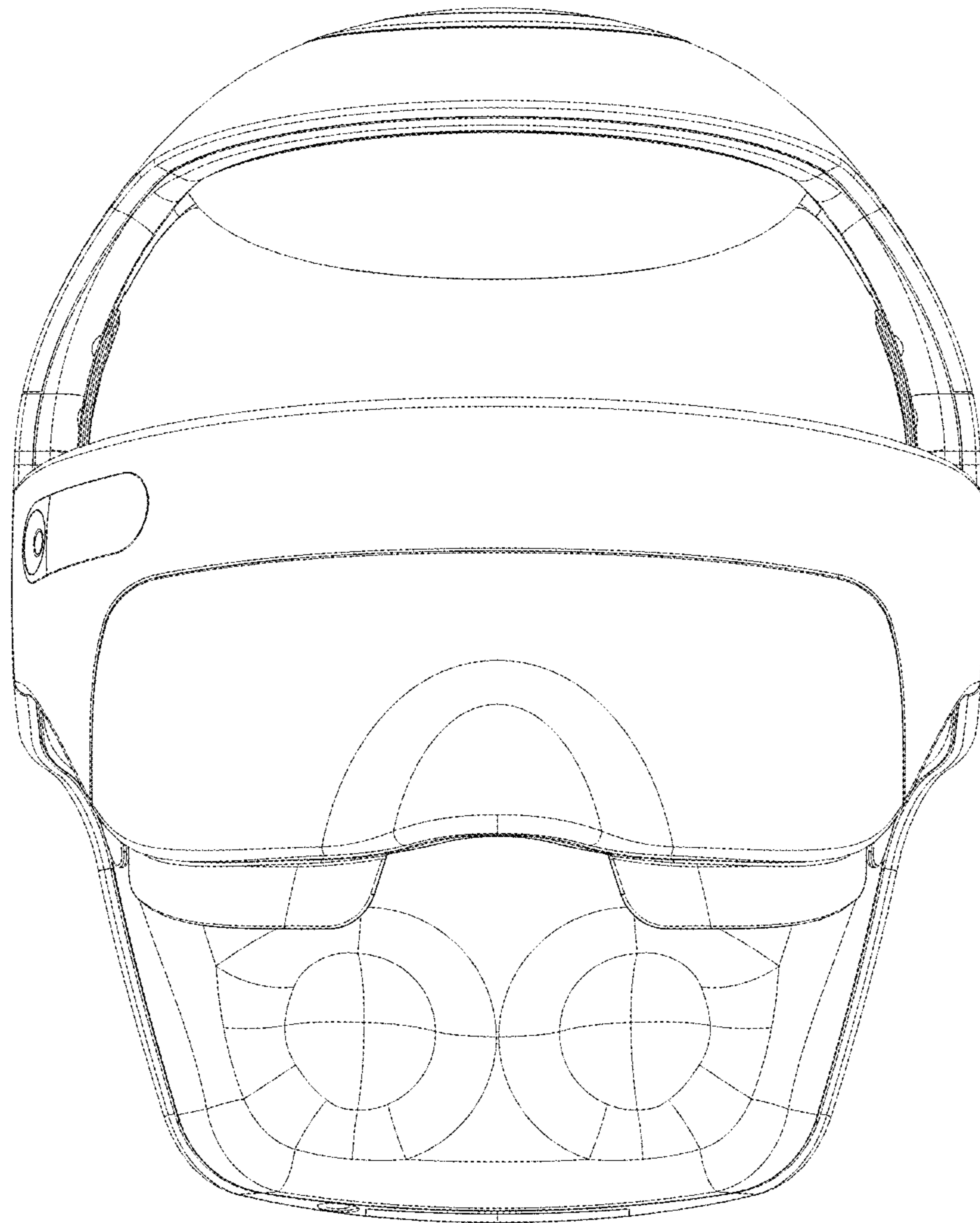


FIG.2

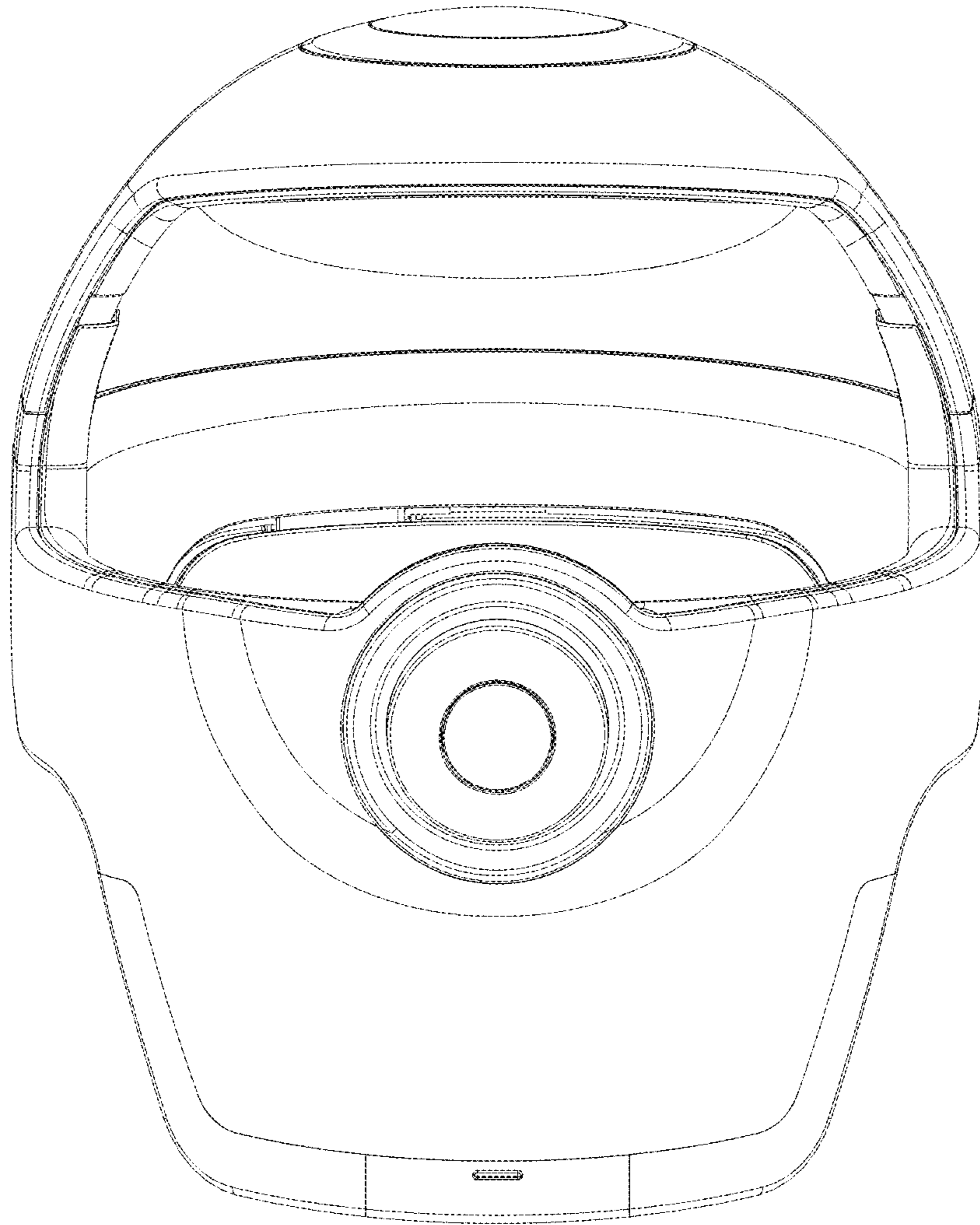


FIG.3



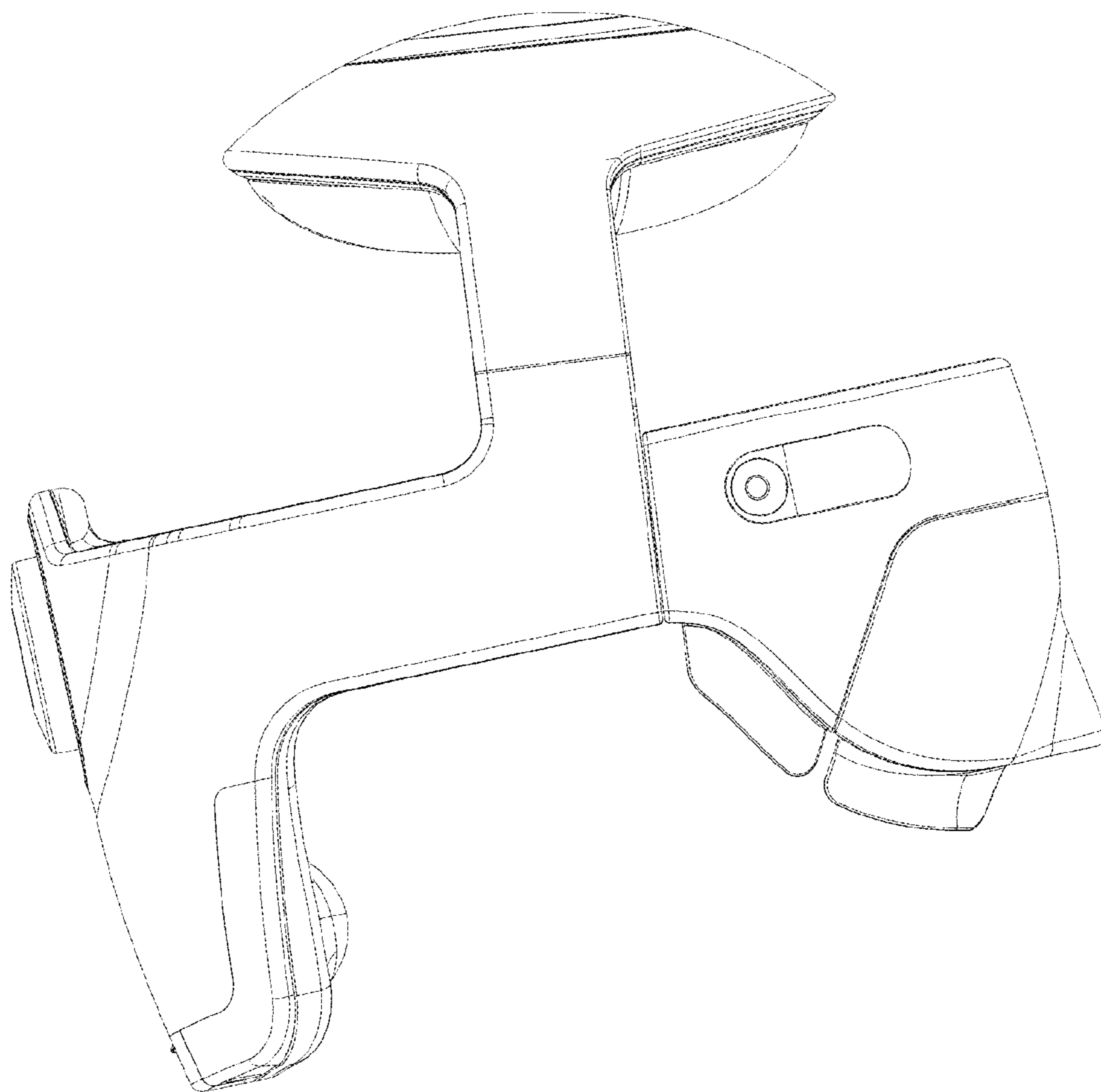


FIG.4

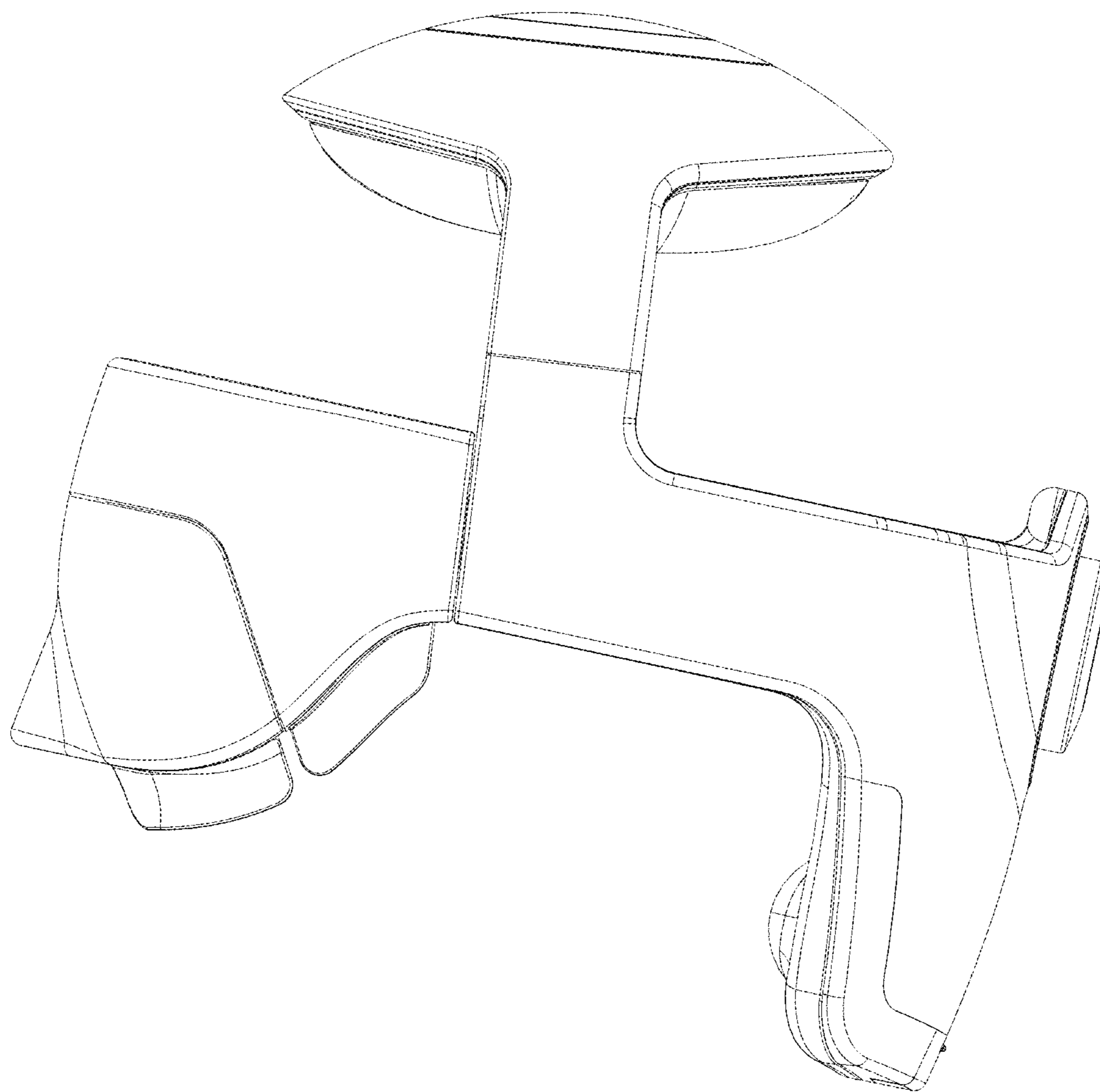


FIG.5

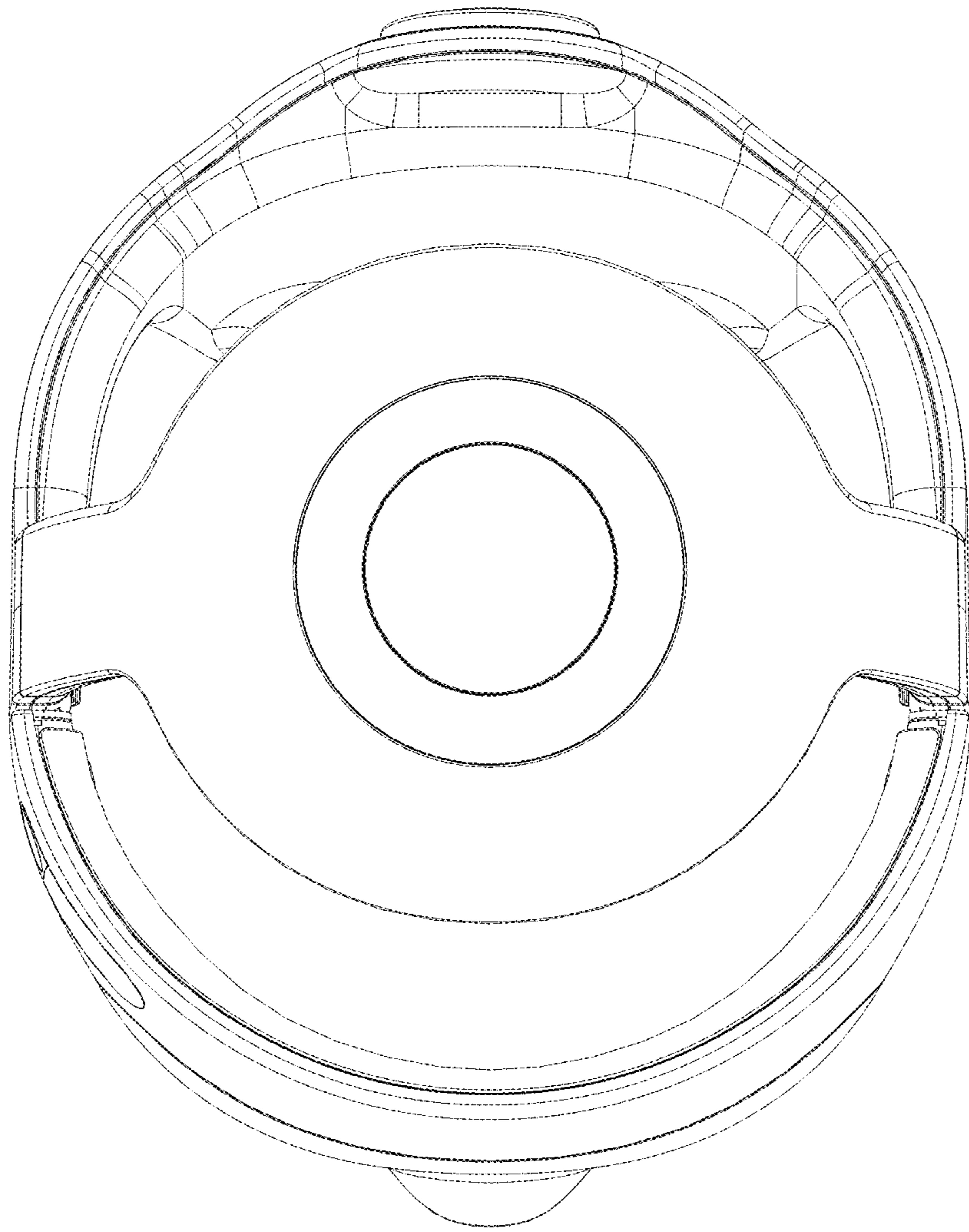


FIG.6

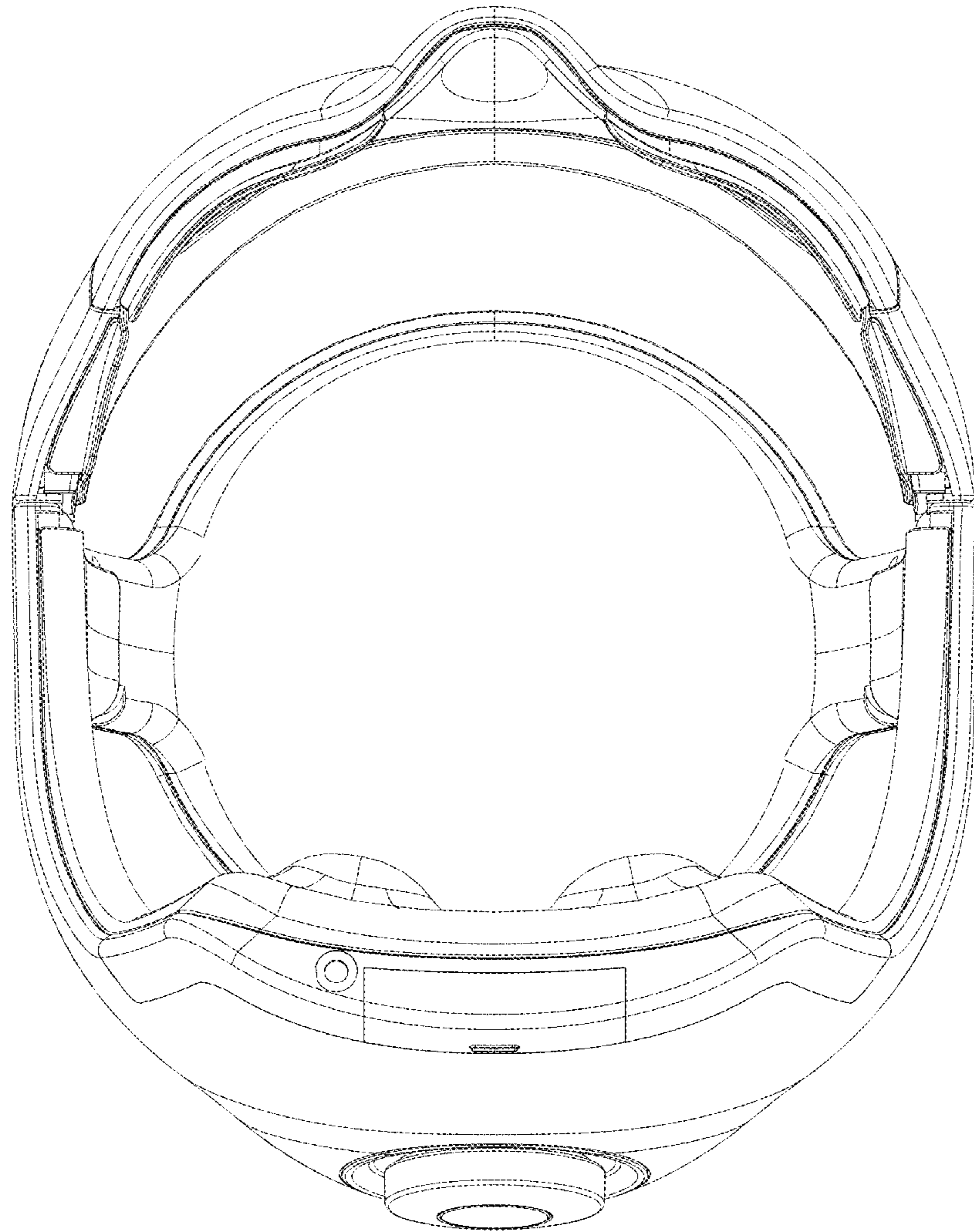


FIG.7



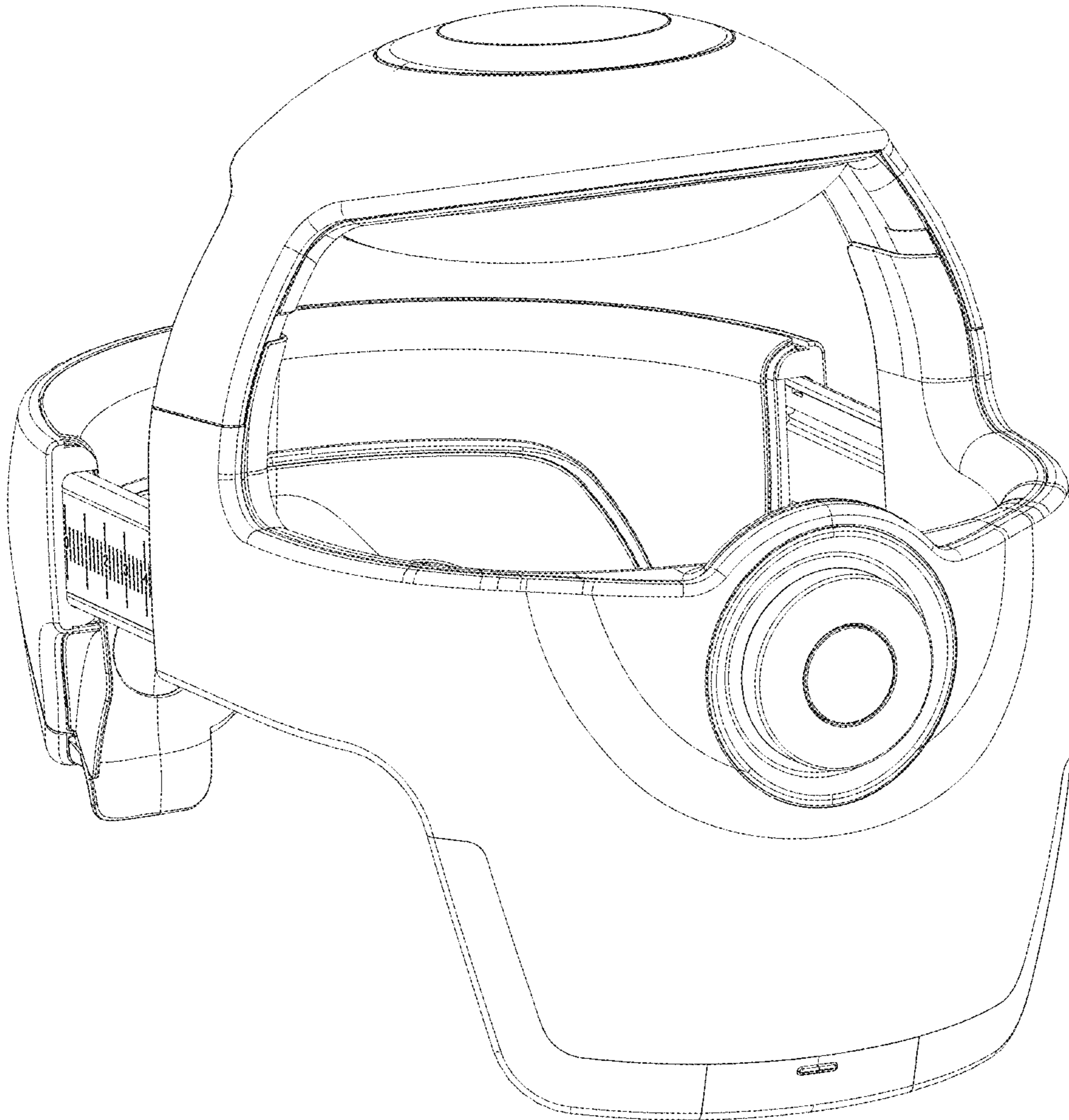


FIG.8

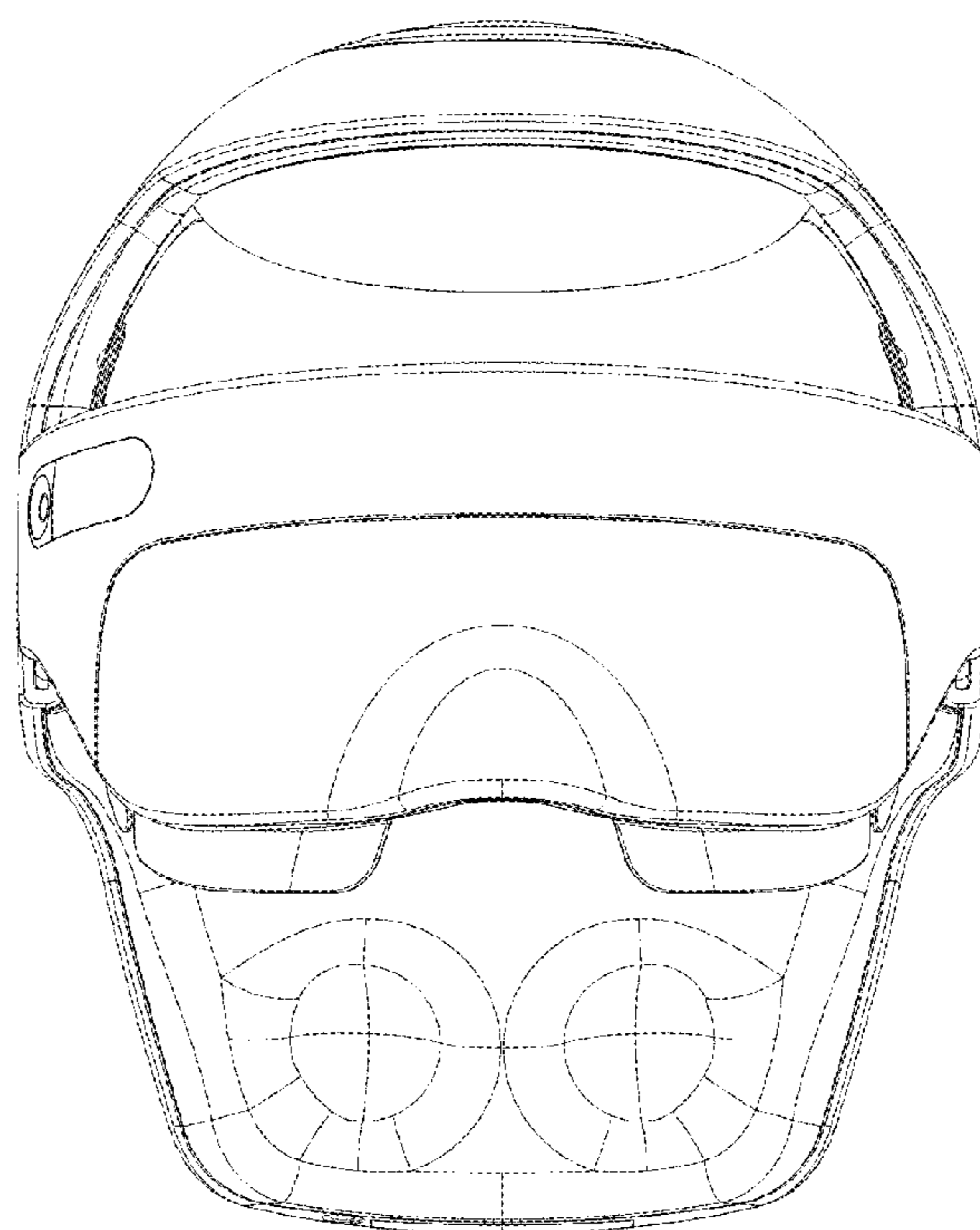


FIG.9

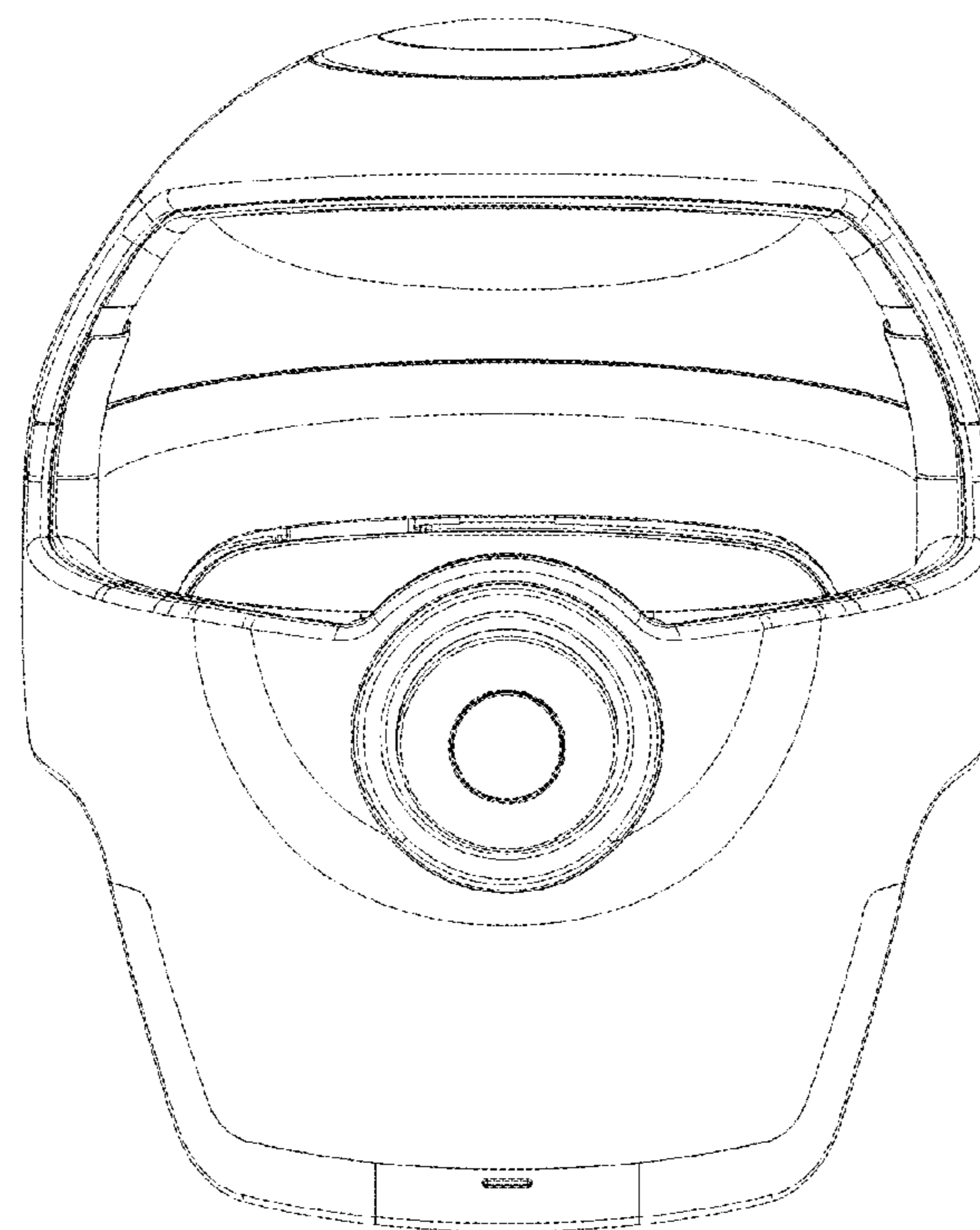


FIG.10

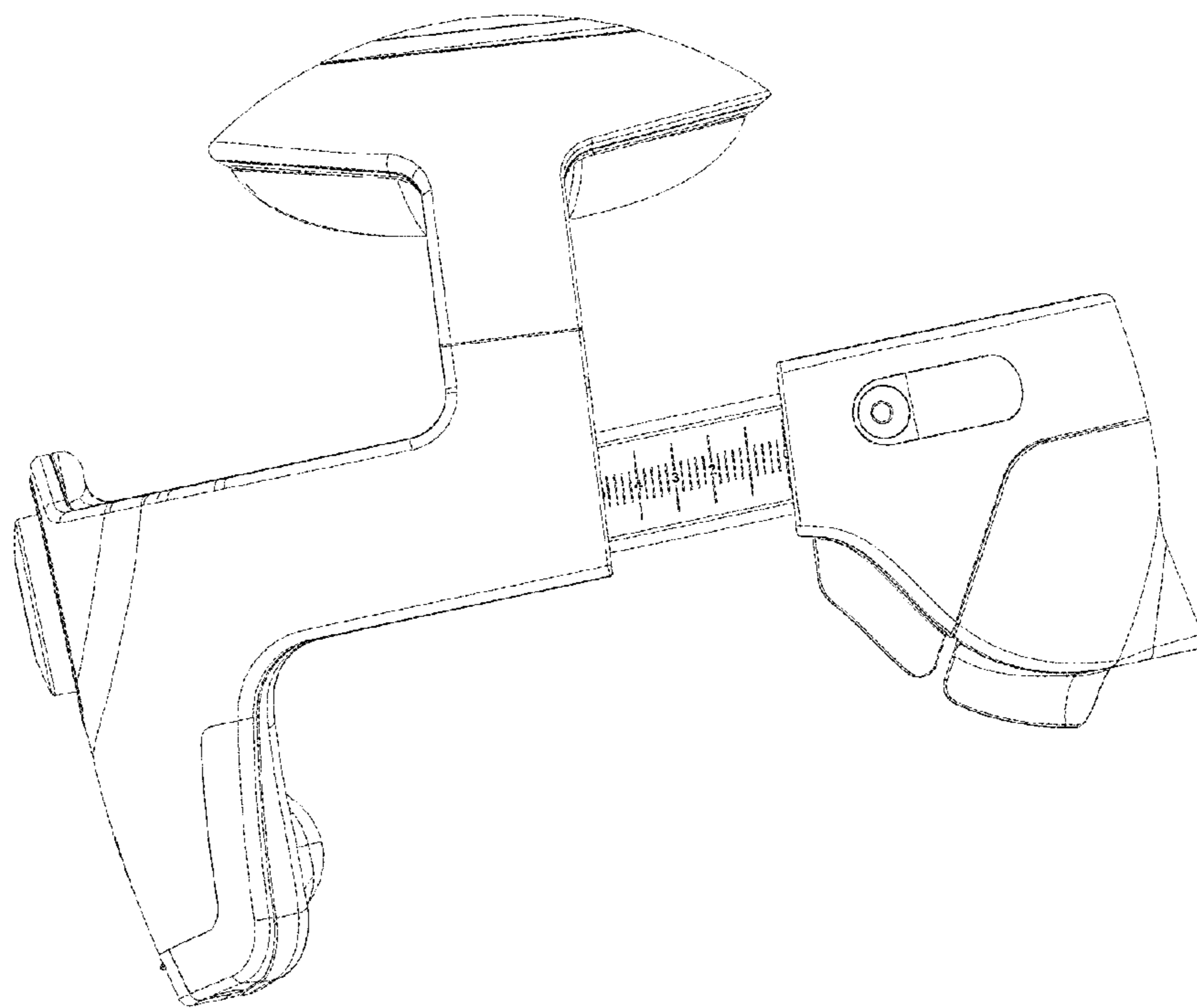


FIG.11

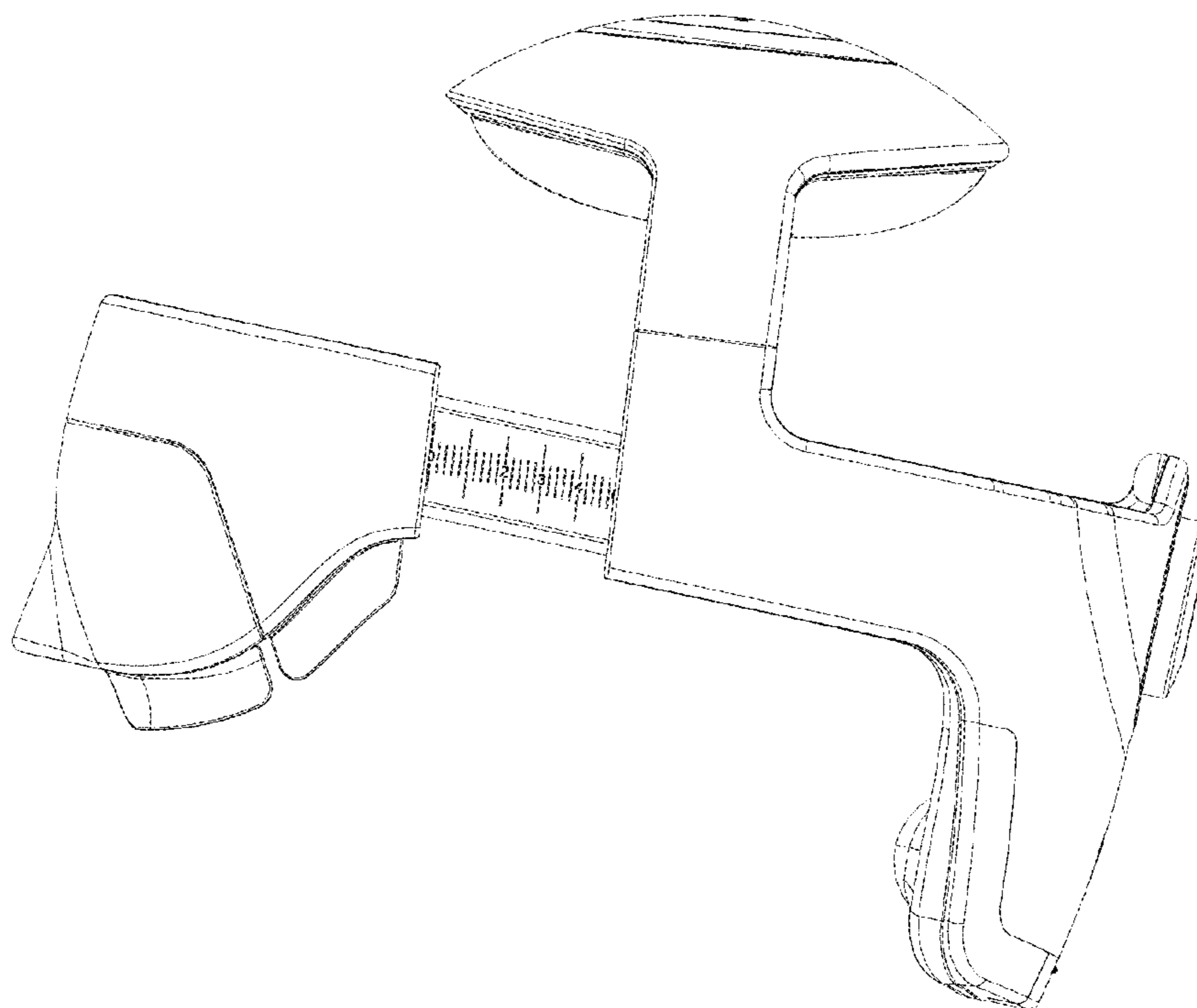


FIG.12

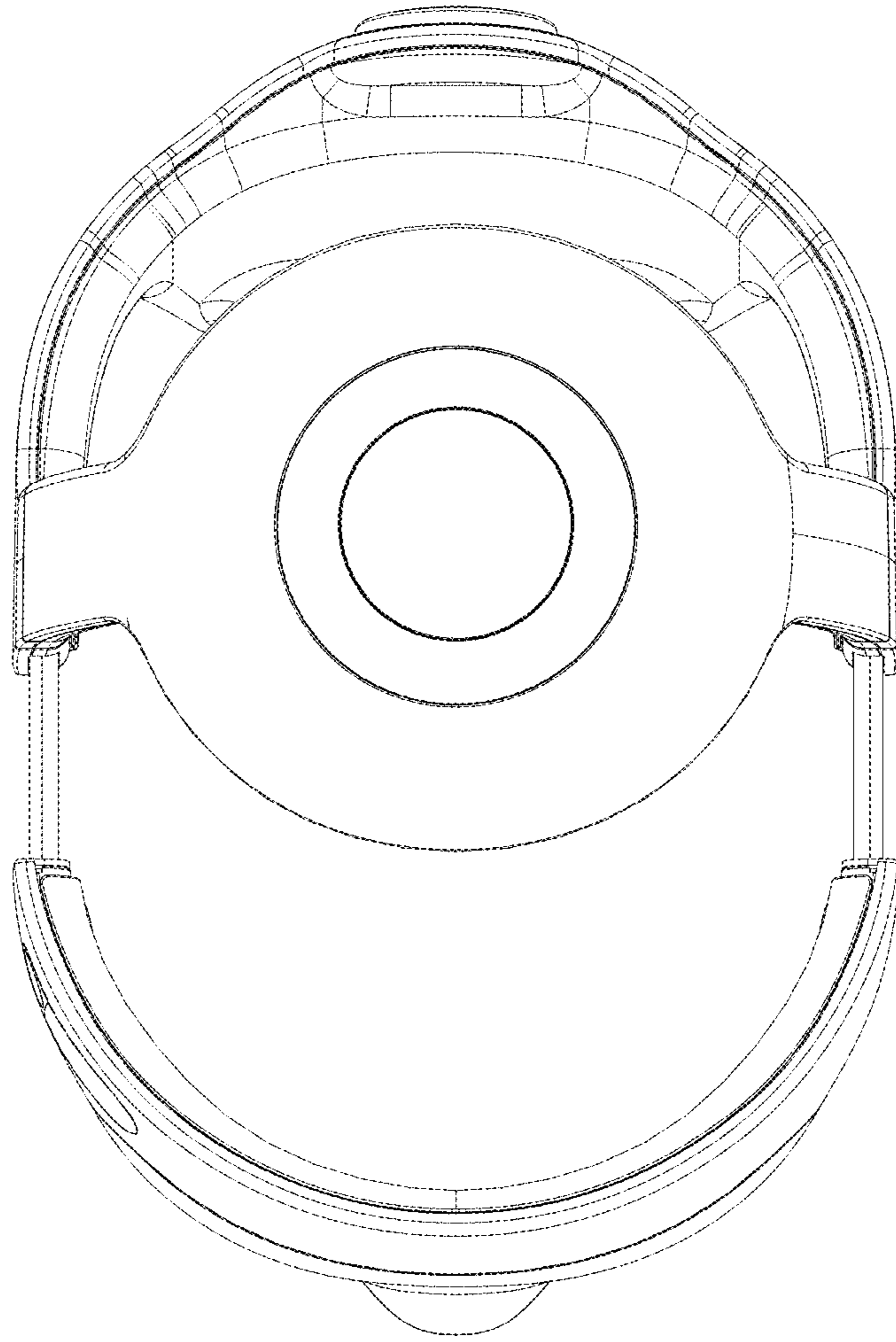


FIG.13



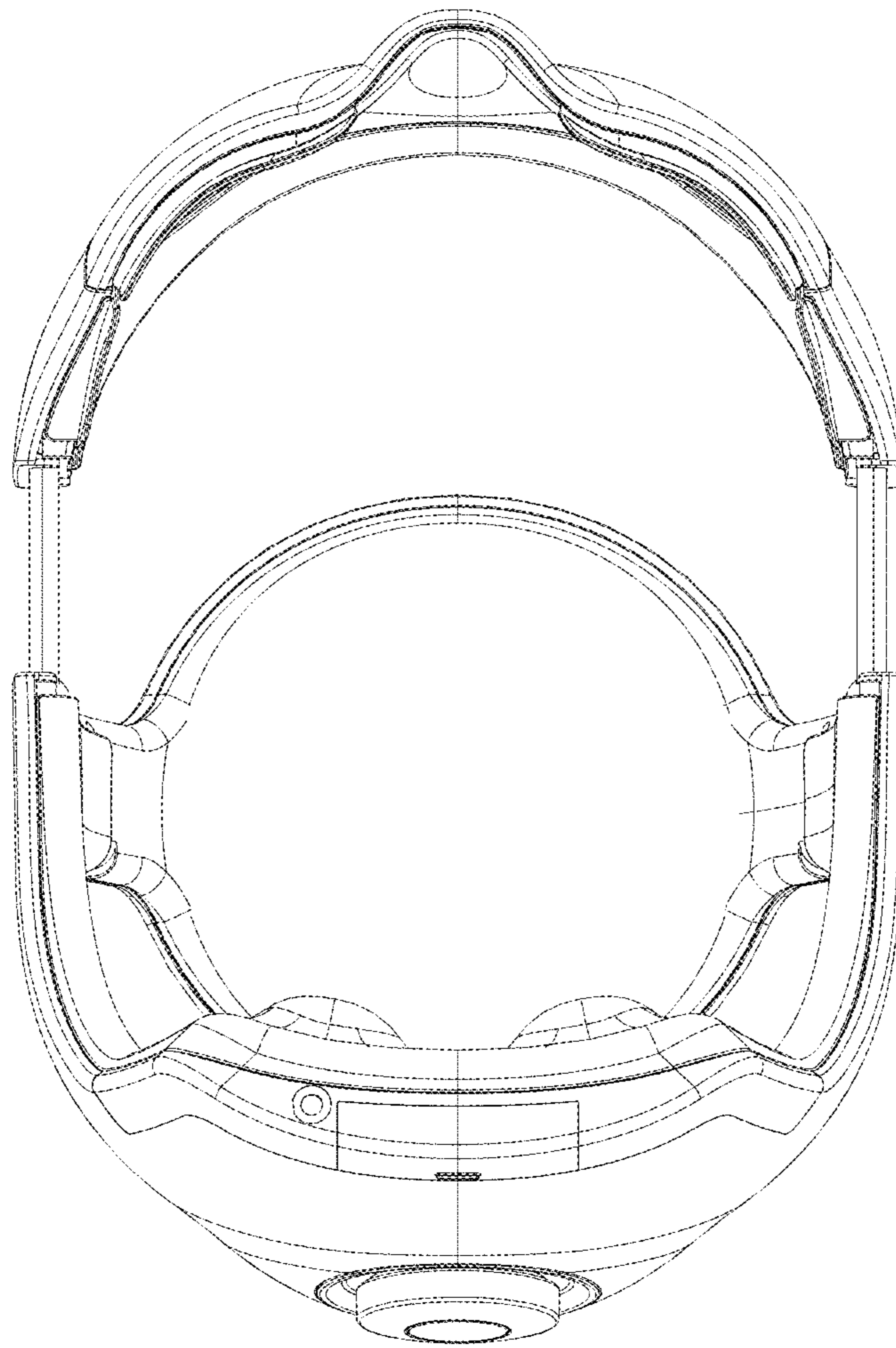


FIG.14