

US00D763458S

(12) **United States Design Patent**
Mangrum

(10) **Patent No.:** **US D763,458 S**

(45) **Date of Patent:** **** Aug. 9, 2016**

- (54) **THERMAL TORSO WRAP**
- (71) Applicant: **Bessie Mangrum**, Chicago, IL (US)
- (72) Inventor: **Bessie Mangrum**, Chicago, IL (US)
- (**) Term: **14 Years**
- (21) Appl. No.: **29/514,471**
- (22) Filed: **Jan. 13, 2015**
- (51) **LOC (10) Cl.** **24-04**
- (52) **U.S. Cl.**
USPC **D24/206**
- (58) **Field of Classification Search**
USPC D24/206–207, 189–190, 208; D29/100;
607/108, 112, 111, 114
CPC ... A61F 7/02; A61F 7/032; A61F 2007/0225;
A61F 2007/023; A61F 2007/0001; A61F
2007/0022; A61F 2007/0023; A61F
2007/0024
See application file for complete search history.

- D348,517 S * 7/1994 McDermott D24/206
- 5,496,358 A 3/1996 Rosenwald
- 5,507,794 A * 4/1996 Allen A61F 7/02
126/204
- 5,534,021 A * 7/1996 Dvoretzky A61F 7/02
126/204
- D393,719 S 4/1998 Nichols
- D420,449 S * 2/2000 Schifrin D24/189
- 6,582,383 B2 6/2003 Horning
- 7,846,145 B2 * 12/2010 Carstens A61F 7/032
604/385.01
- D671,225 S * 11/2012 Higley D24/206
- 2006/0100682 A1 5/2006 Koffroth
- 2009/0306749 A1 12/2009 Mulindwa

* cited by examiner

Primary Examiner — Wan Laymon

(57) **CLAIM**

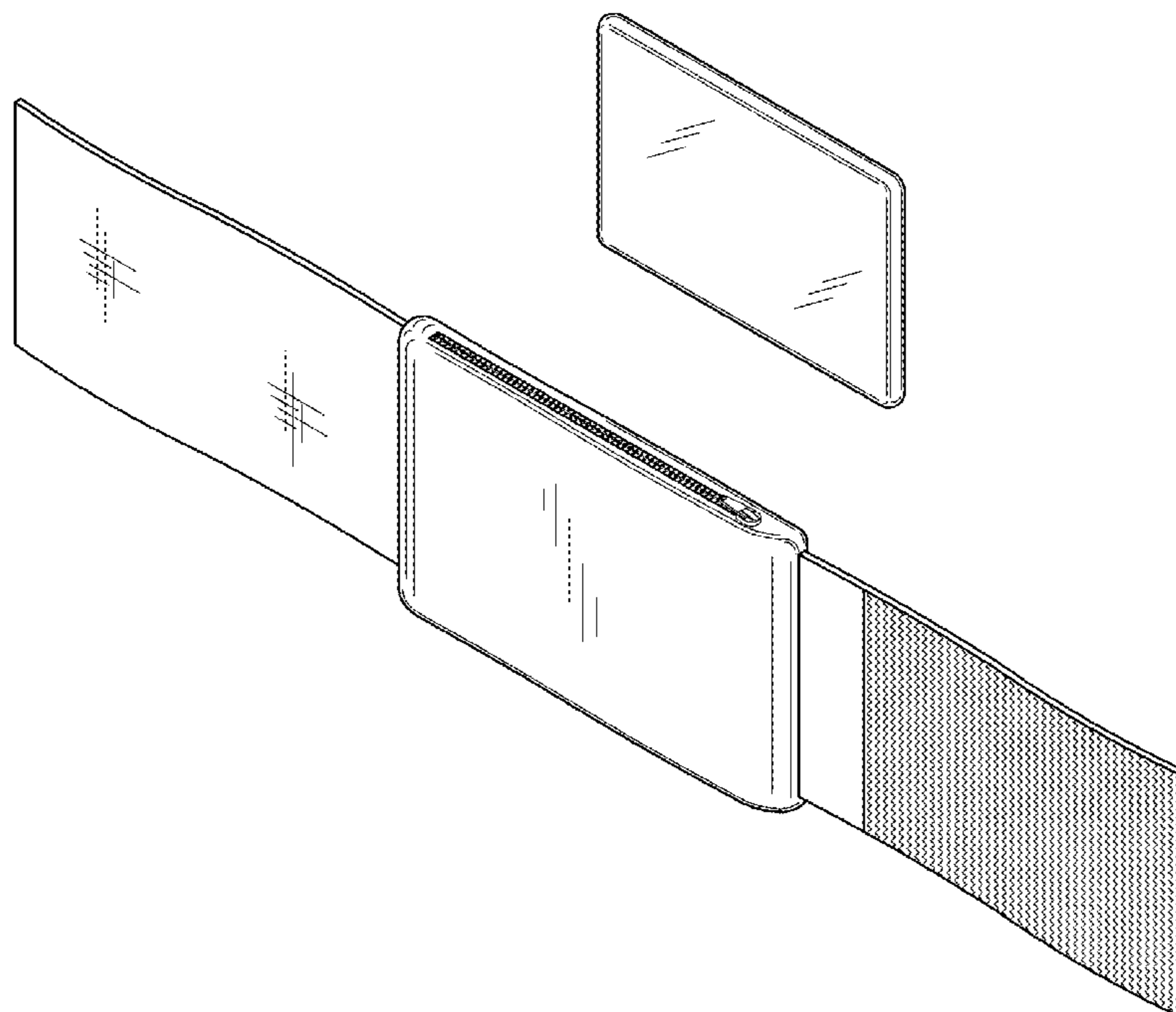
I claim the ornamental design for a thermal torso wrap, as shown and described.

DESCRIPTION

- FIG. 1 is a front view of the thermal torso wrap.
- FIG. 2 is a rear view.
- FIG. 3 is a side view.
- FIG. 4 is a top view.
- FIG. 5 is a bottom view; and,
- FIG. 6 is a perspective view.

1 Claim, 5 Drawing Sheets

- (56) **References Cited**
U.S. PATENT DOCUMENTS
- 4,586,506 A * 5/1986 Nangle A61F 7/02
128/DIG. 15
- 4,832,030 A * 5/1989 De Canto A61F 7/02
607/109
- 5,005,374 A 4/1991 Spitler



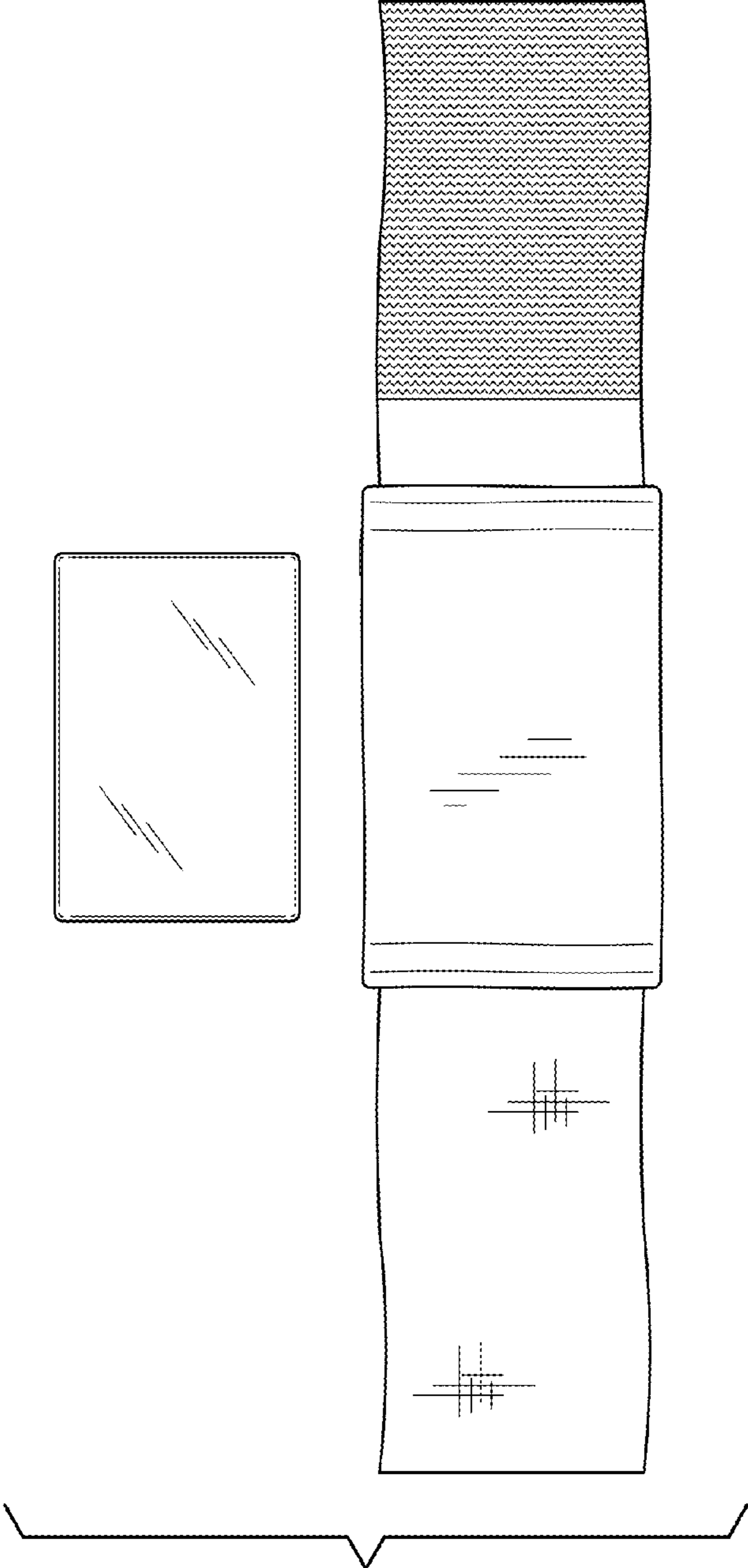


FIG. 1

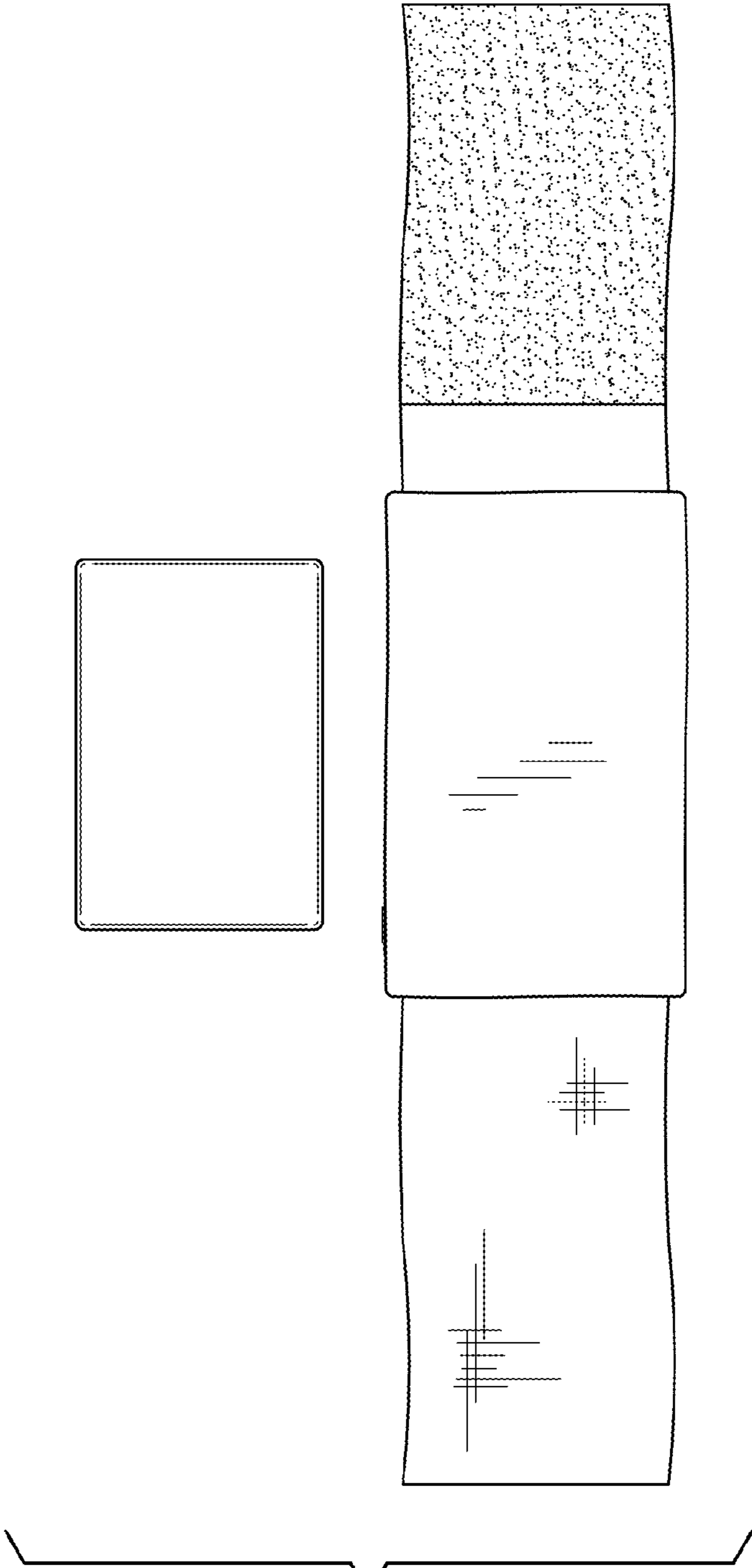


FIG. 2

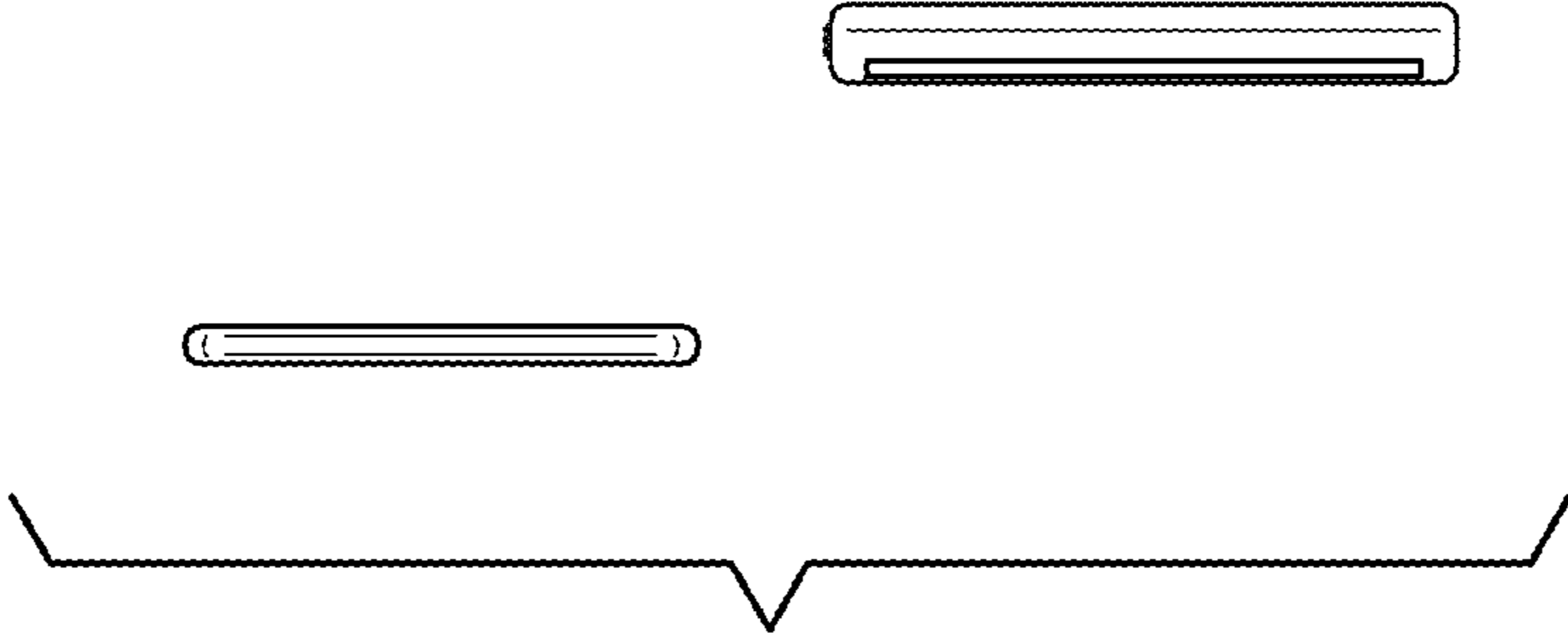


FIG. 3

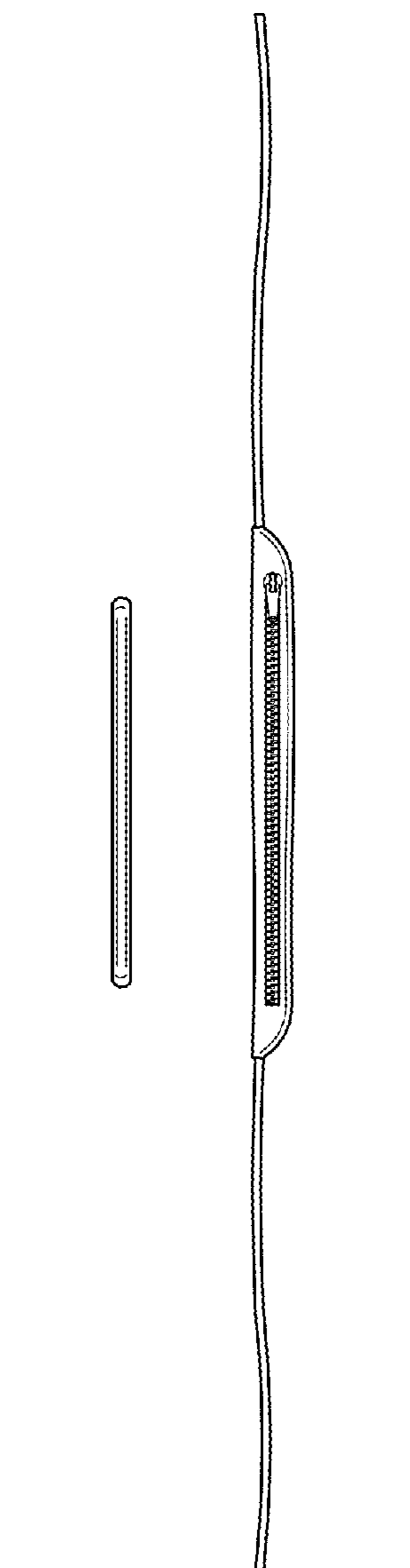


FIG. 4

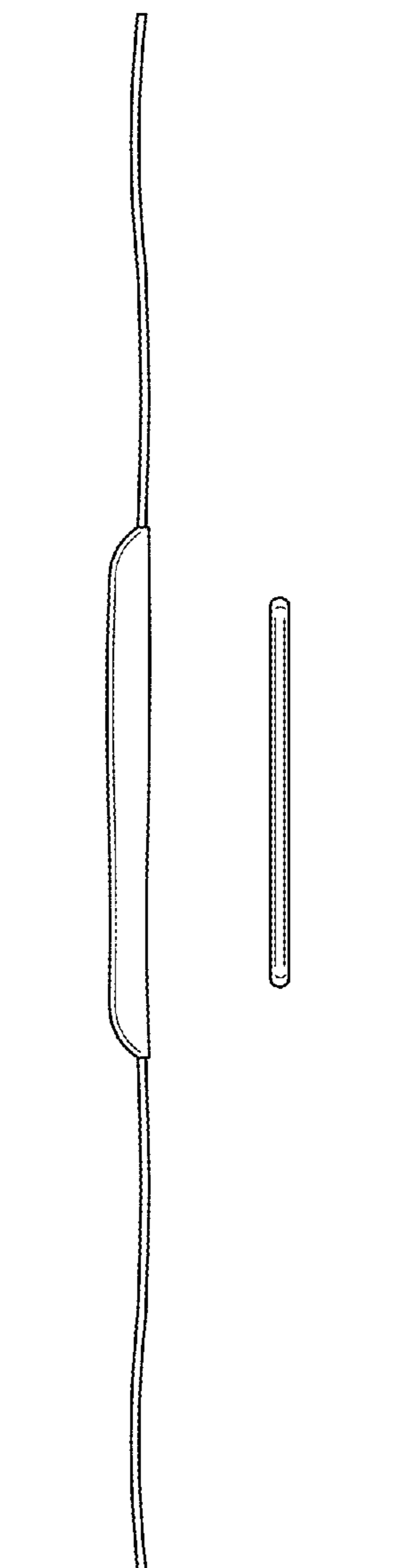


FIG. 5

FIG. 6

