



US00D763456S

(12) **United States Design Patent**
Tran

(10) **Patent No.:** **US D763,456 S**

(45) **Date of Patent:** **** Aug. 9, 2016**

- (54) **PEDICURE SPA BASE**
- (71) Applicant: **Gulfstream Inc.**, Cambridge (CA)
- (72) Inventor: **Minh Sang Tran**, Cambridge (CA)
- (73) Assignee: **Gulfstream Inc.**, Cambridge (CA)
- (**) Term: **14 Years**
- (21) Appl. No.: **29/523,250**
- (22) Filed: **Apr. 8, 2015**
- (51) **LOC (10) Cl.** **28-03**
- (52) **U.S. Cl.**
USPC **D24/204**
- (58) **Field of Classification Search**
USPC D24/200–205, 212–213; D28/56, 61;
D6/336; D21/473–474, 483, 519, 523;
D23/204; 4/538, 541.1, 541.6, 574.1,
4/579, 619, 621, 622, 627; 601/30–32,
601/64, 157–158; 607/44
CPC A47K 3/02; A47K 3/06; A47K 3/022;
A61H 33/6063; A61H 33/0087; A61H 33/02;
A61H 33/60; A61H 33/6005; A61H 33/601;
A61H 35/00; A61H 35/006
See application file for complete search history.

- D590,188 S 4/2009 Tran
- D592,312 S 5/2009 Cheng
- D592,757 S * 5/2009 Le D24/204
- D596,882 S 7/2009 Tran

(Continued)

OTHER PUBLICATIONS

Guangyue, Zhang, CN 200630082943, Foot Bath Tub, published Feb. 14, 2007, posted at Orbit.com. [online], [site visited Jan. 16, 2016]. Available from the Internet, see attached PDF.*

Primary Examiner — Catheri Oliver-Garcia

Assistant Examiner — Rebekah Caruso

(74) *Attorney, Agent, or Firm* — Avery N. Goldstein; Blue Filament Law PLLC

(57) **CLAIM**

The ornamental design for a pedicure spa base, as shown and described.

DESCRIPTION

FIG. 1 is a front, right, top perspective view of the pedicure spa base;
 FIG. 2 is a rear, left, top perspective view of the pedicure spa base;
 FIG. 3 is a top view of the pedicure spa base;
 FIG. 4 is a bottom view of the pedicure spa base;
 FIG. 5 is a right side view of the pedicure spa base;
 FIG. 6 is a left side view of the pedicure spa base;
 FIG. 7 is a rear view of the pedicure spa base;
 FIG. 8 is a front view of the pedicure spa base; and,
 FIG. 9 is a front, left, top perspective view of the pedicure spa base in its environment.

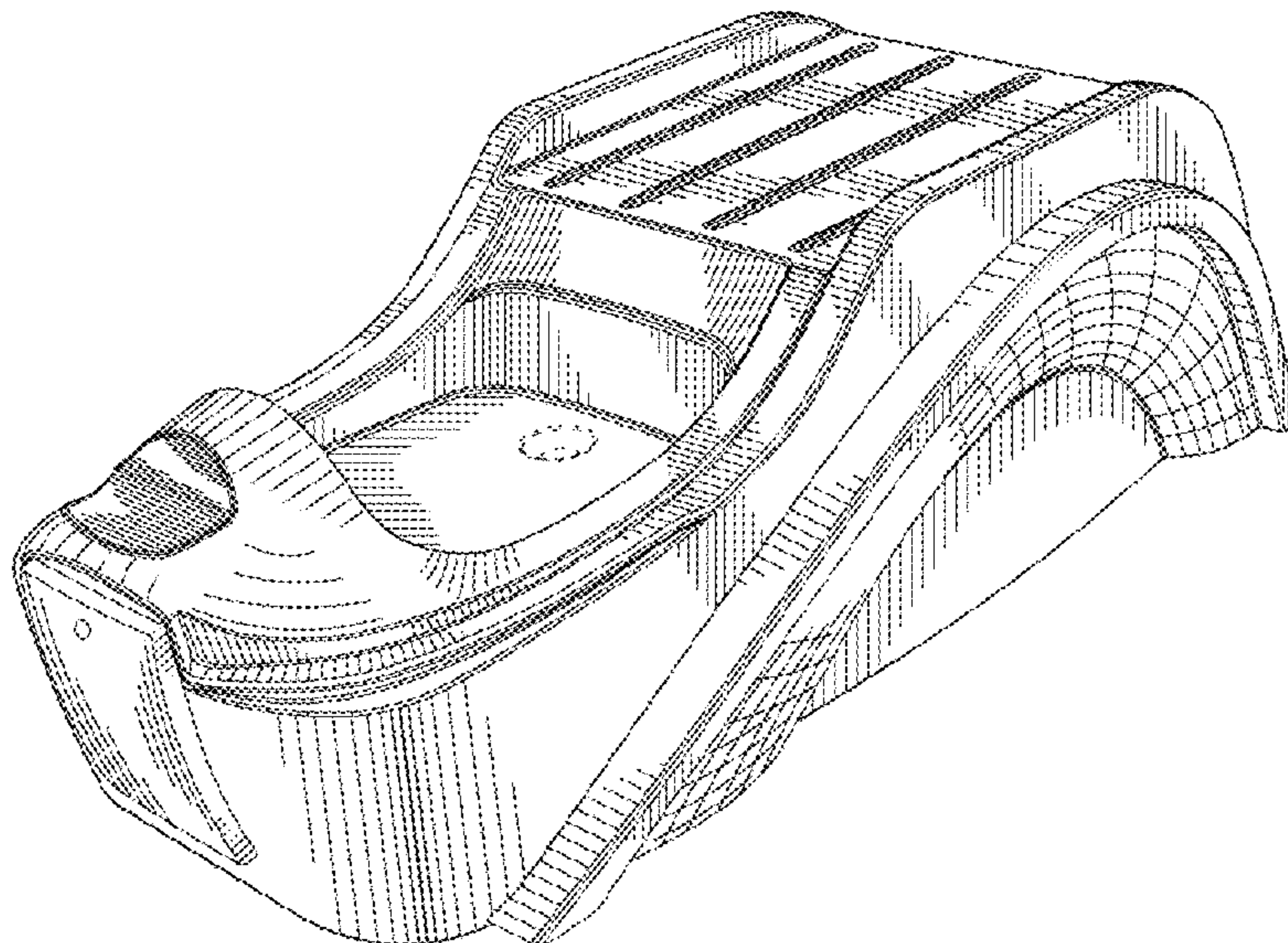
The broken line shown in FIGS. 1-8 depict portions of the pedicure spa base that are not part of the inventive design. The broken lines shown in FIG. 9 depict the pedicure spa base in its environment and are not part of the inventive design.

1 Claim, 6 Drawing Sheets

(56) **References Cited**

U.S. PATENT DOCUMENTS

- D560,310 S * 1/2008 Le D24/205
- D565,739 S 4/2008 Tran
- D569,986 S 5/2008 Ton
- D571,961 S 6/2008 Nguyen
- D583,171 S 12/2008 Tran
- D583,576 S 12/2008 Tran
- D588,707 S 3/2009 Mai
- D588,844 S 3/2009 Tran
- D589,285 S 3/2009 Tran



(56)

References Cited

U.S. PATENT DOCUMENTS

D596,883 S 7/2009 Tran
D612,509 S 3/2010 Tran
D615,326 S 5/2010 Tran
D616,560 S 5/2010 Cong
D616,561 S 5/2010 Ton
D618,815 S 6/2010 Dang
D622,858 S * 8/2010 Jan D24/204
D640,387 S 6/2011 Tran
D641,485 S 7/2011 Mai
D646,082 S 10/2011 Tran
D650,084 S 12/2011 Tran

D664,664 S 7/2012 Mai
D670,354 S * 11/2012 Tran D23/204
D685,103 S 6/2013 Ton
D701,318 S * 3/2014 Tran D24/204
D701,968 S * 4/2014 Le D24/204
D701,970 S * 4/2014 Le D24/204
D702,843 S * 4/2014 Mai D24/204
D707,836 S * 6/2014 Long D24/204
D718,411 S * 11/2014 Tran D23/204
D727,516 S * 4/2015 Le D24/204
D742,023 S * 10/2015 Le D24/204
2004/0060108 A1 * 4/2004 Hoon Park A61H 35/006
4/622

* cited by examiner

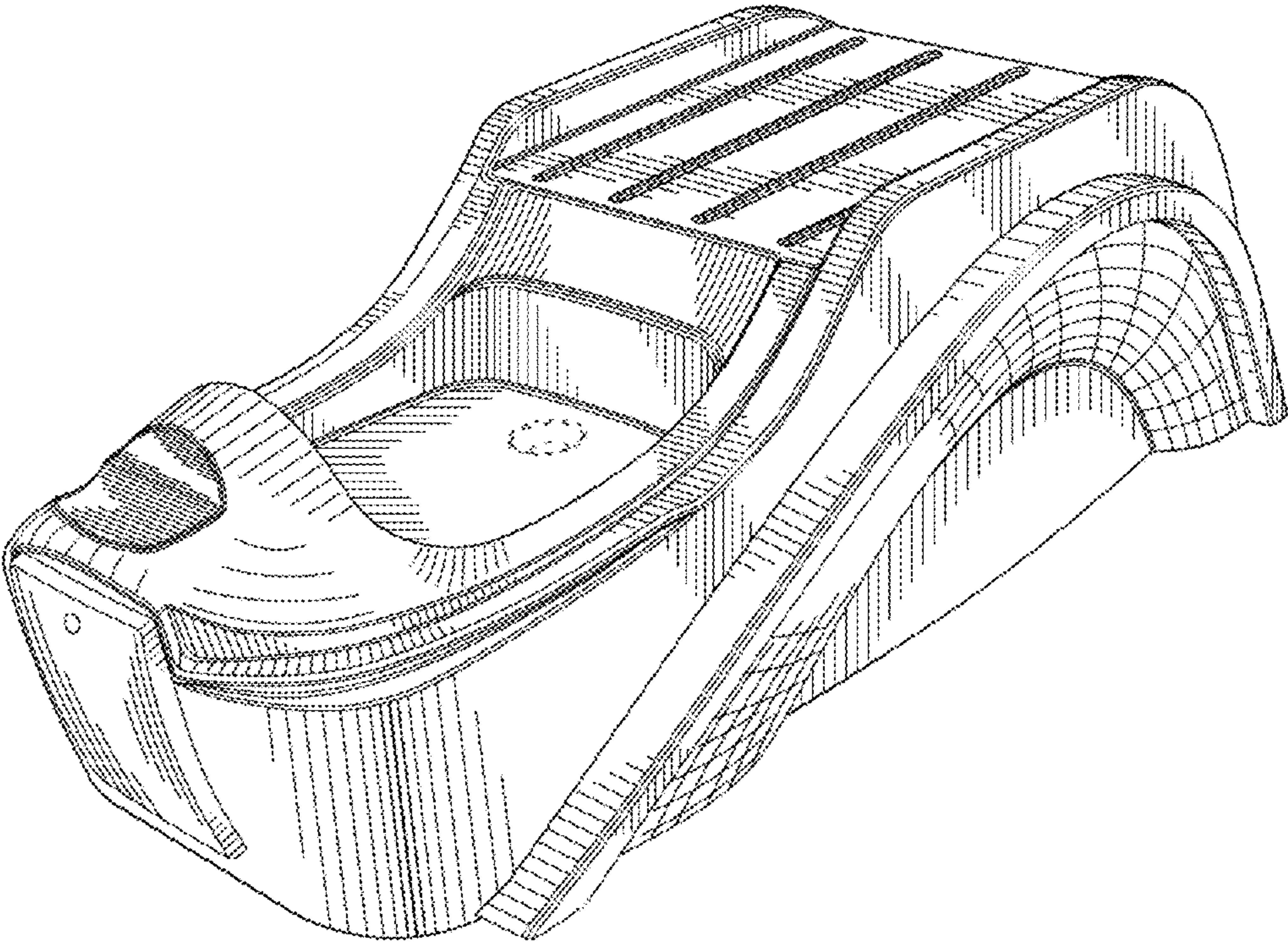


FIG.1

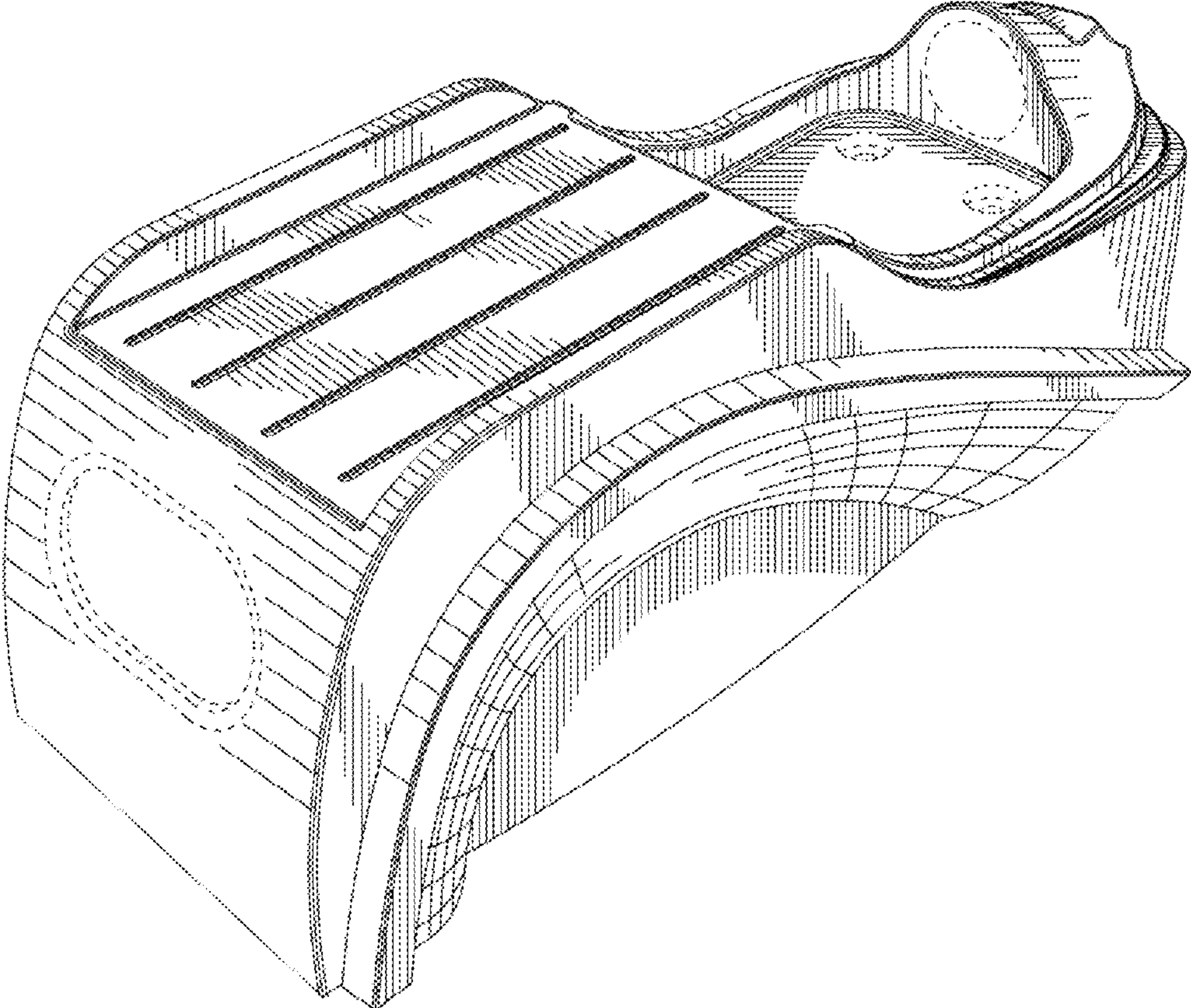


FIG.2

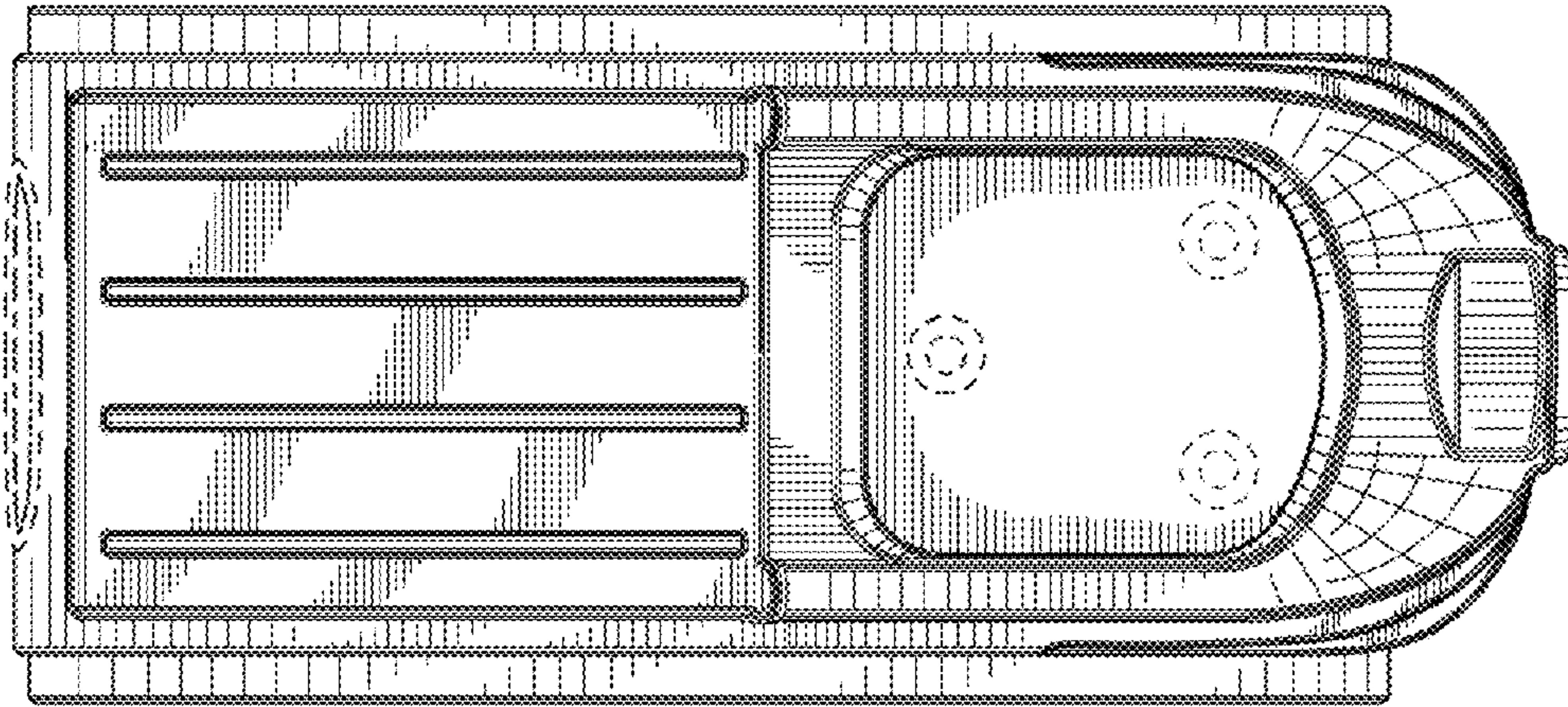


FIG.3

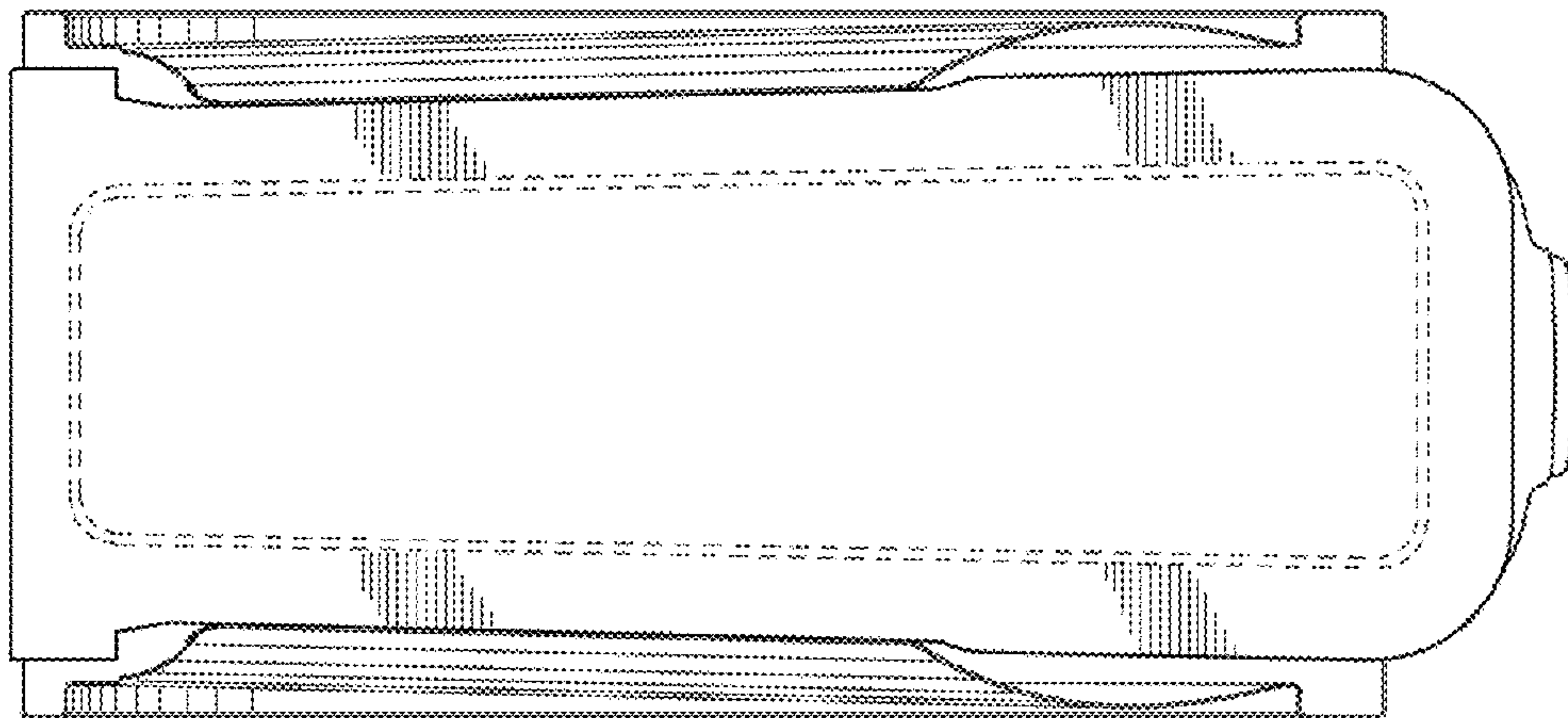


FIG.4

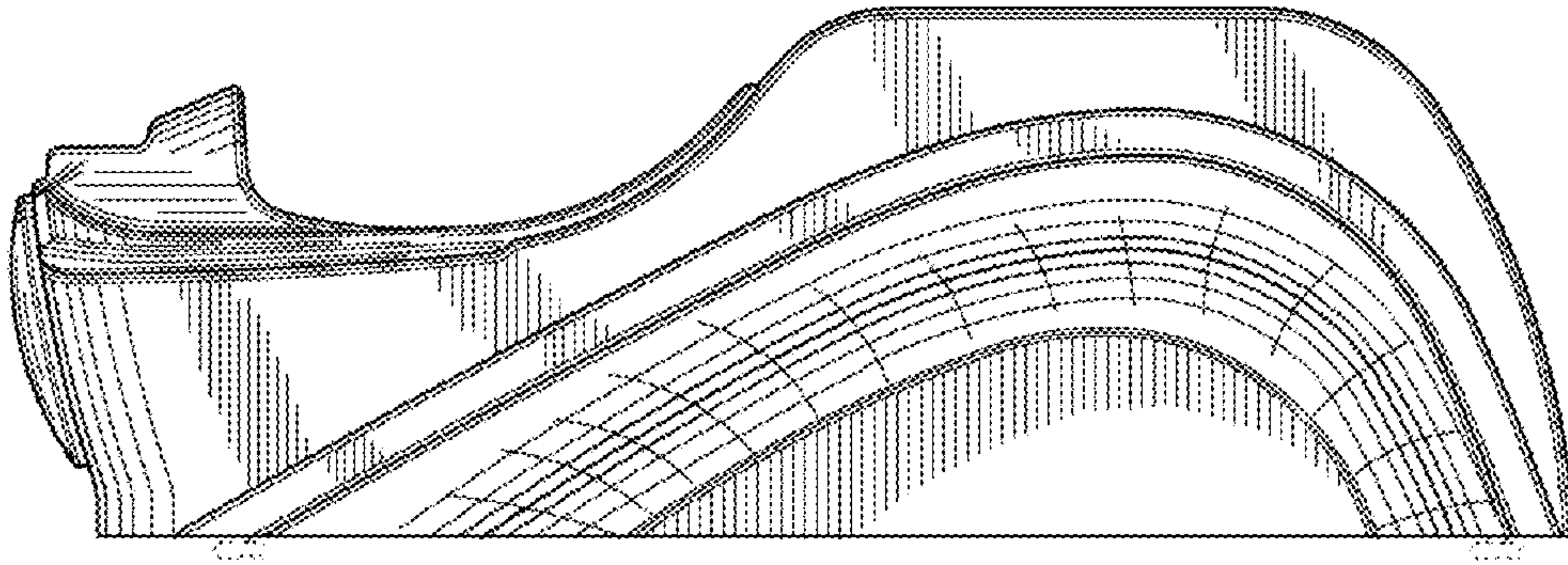


FIG. 5

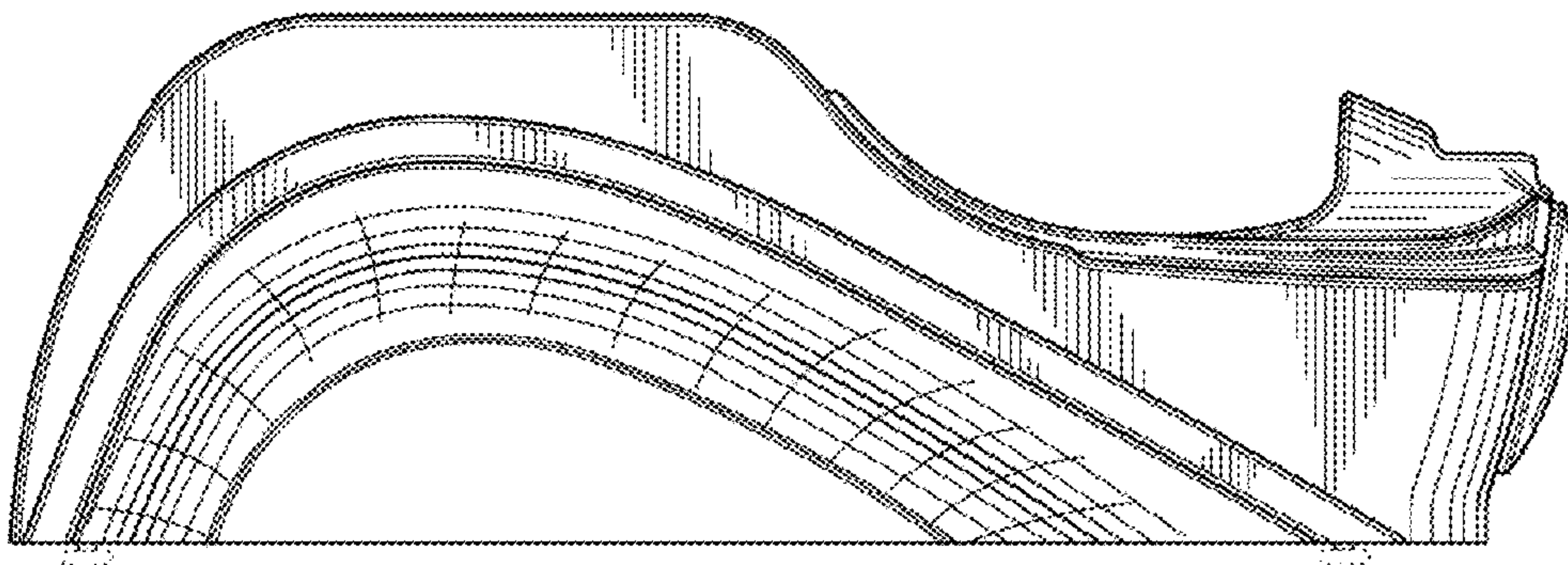


FIG. 6

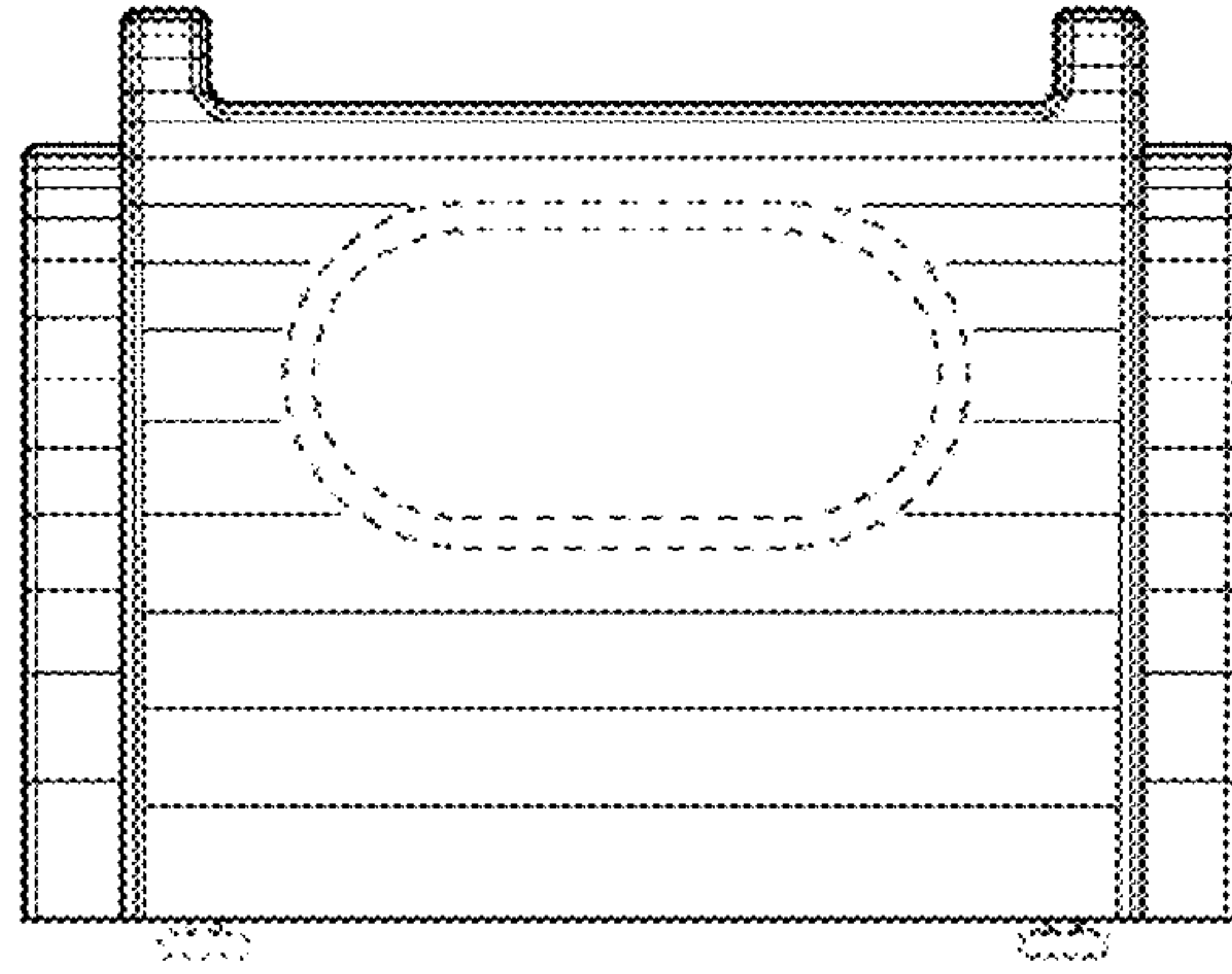


FIG. 7

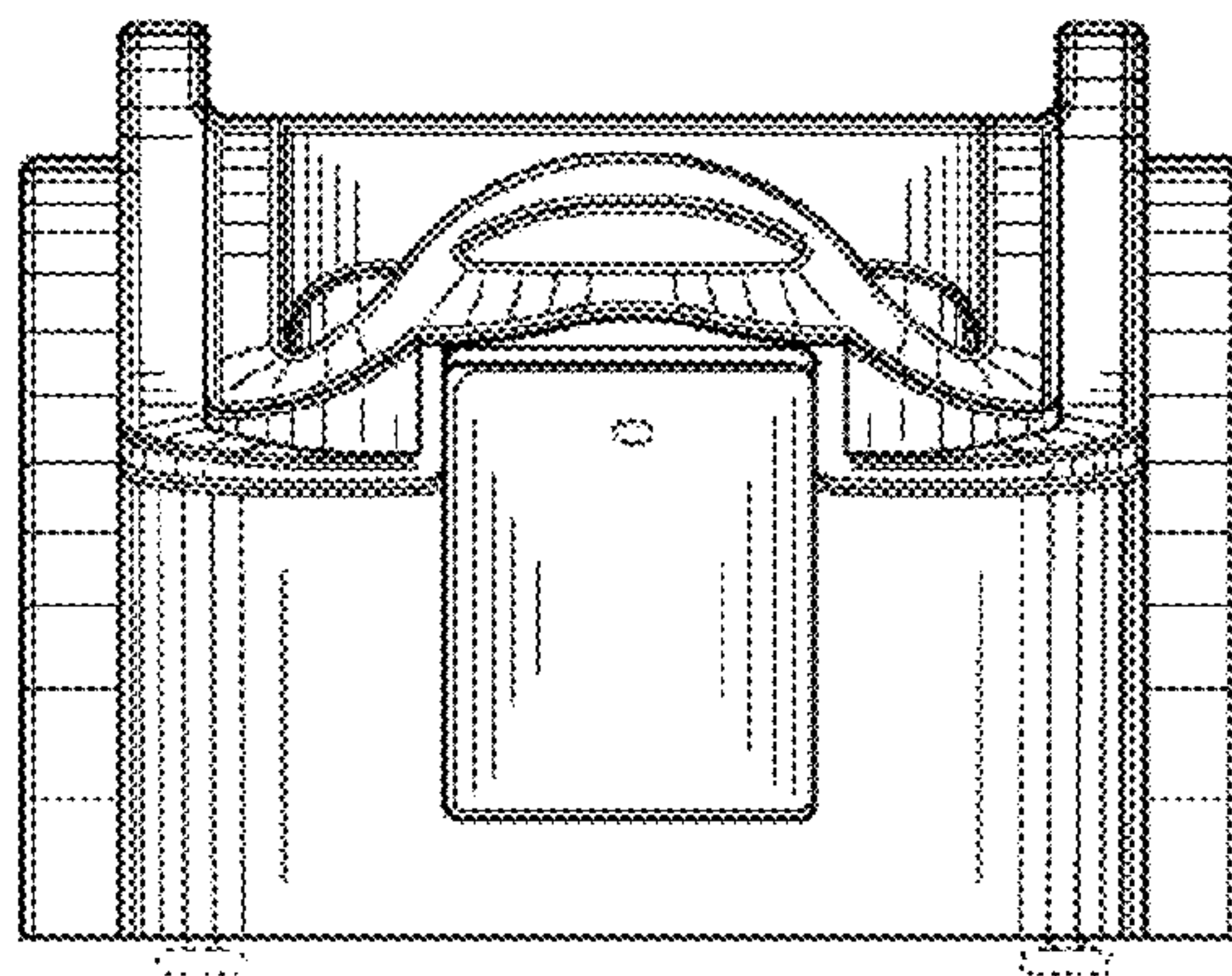


FIG. 8

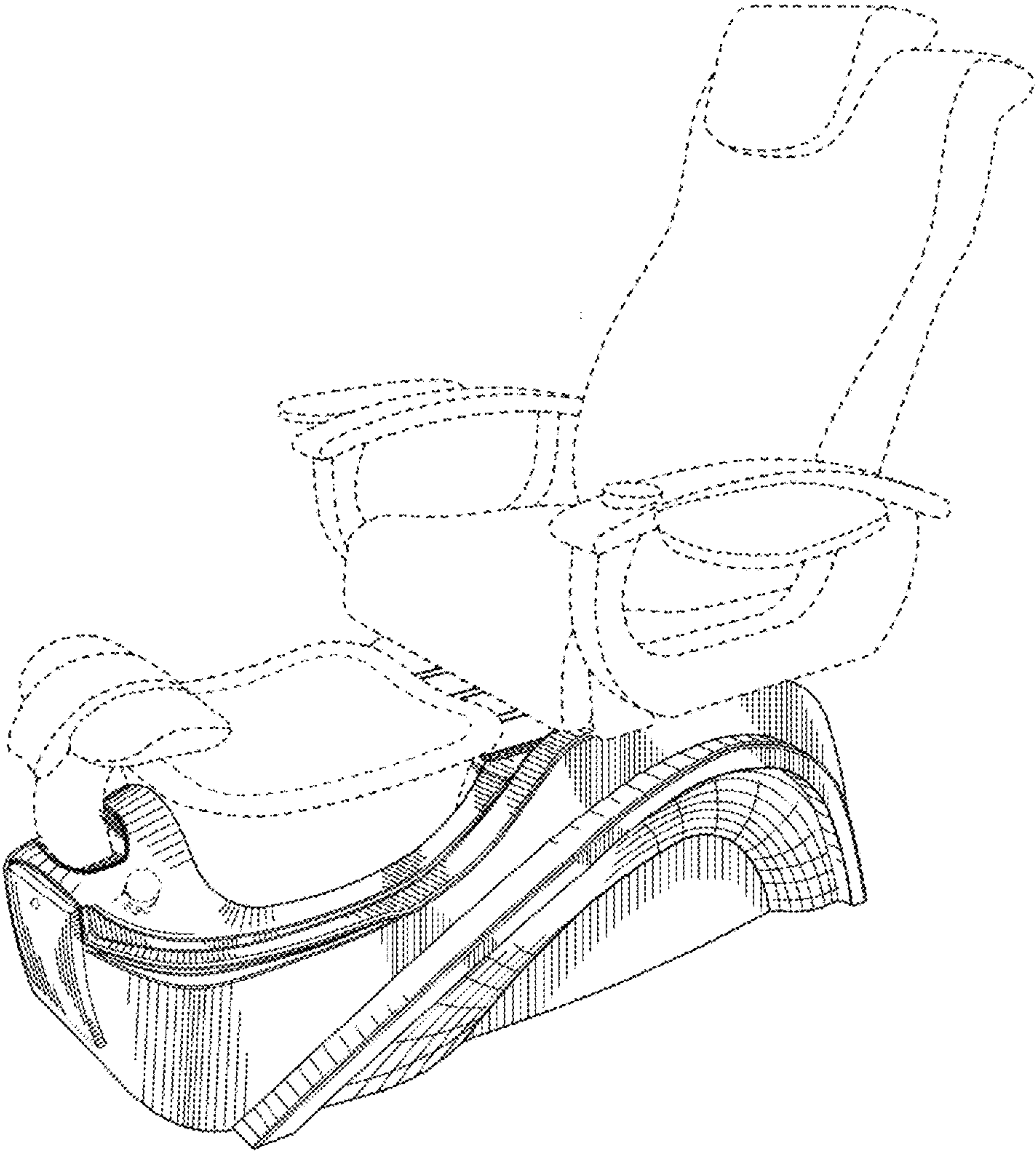


FIG.9