



US00D763448S

(12) **United States Design Patent**  
**Cho**

(10) **Patent No.:** **US D763,448 S**  
(45) **Date of Patent:** **\*\* Aug. 9, 2016**

(54) **DENTAL BUR**  
(71) Applicant: **Sang Choon Cho**, New York, NY (US)  
(72) Inventor: **Sang Choon Cho**, New York, NY (US)  
(73) Assignee: **EBI Inc.**, Gyeongsan-si (KR)  
(\*\*) Term: **15 Years**  
(21) Appl. No.: **29/530,048**  
(22) Filed: **Jun. 12, 2015**

(30) **Foreign Application Priority Data**

Jan. 28, 2015 (KR) ..... 30-2015-0004538

(51) **LOC (10) Cl.** ..... **24-02**

(52) **U.S. Cl.**  
USPC ..... **D24/152; D24/147**

(58) **Field of Classification Search**  
USPC ..... D24/152, 156, 176-178  
CPC ..... A61C 3/00; A61C 3/02; A61C 3/025;  
A61C 3/06; A61C 8/0089  
See application file for complete search history.

(56) **References Cited**

**U.S. PATENT DOCUMENTS**

418,108 A \* 12/1889 Browne ..... A61C 3/02  
433/165  
1,358,432 A \* 11/1920 Fink ..... A61C 3/02  
30/164.9  
1,813,741 A \* 7/1931 Harper ..... A61C 3/02  
433/165  
3,309,772 A \* 3/1967 Lieb ..... A61C 3/02  
433/166  
4,284,406 A \* 8/1981 Hughes ..... A61C 3/02  
407/53  
4,681,541 A \* 7/1987 Snaper ..... A61C 3/02  
408/144

7,232,311 B1 \* 6/2007 Greggs ..... A61C 3/02  
433/165  
8,672,679 B2 \* 3/2014 Meier ..... A61C 3/02  
433/165  
2007/0298376 A1 \* 12/2007 Kmiec ..... A61C 3/02  
433/165  
2009/0053674 A1 \* 2/2009 Danger ..... A61C 3/02  
433/102  
2011/0195377 A1 \* 8/2011 Sun ..... A61C 3/02  
433/165  
2013/0011810 A1 \* 1/2013 Cho ..... A61C 8/0089  
433/165  
2015/0313801 A1 \* 11/2015 Almhojd ..... A61C 3/02  
250/340

\* cited by examiner

*Primary Examiner* — Wan Laymon

(74) *Attorney, Agent, or Firm* — St Onge Steward Johnston  
and Reens LLC

(57) **CLAIM**

The ornamental design for a dental bur, as shown and  
described.

**DESCRIPTION**

FIG. 1 is a top, front and left side isometric view of a dental  
bur in accordance with the new design;  
FIG. 2 is a left side elevational view thereof;  
FIG. 3 is a right side elevational view thereof;  
FIG. 4 is a front elevational view thereof;  
FIG. 5 is a rear elevational view thereof;  
FIG. 6 is a top plan view thereof; and,  
FIG. 7 is a bottom plan view thereof.  
The broken lines shown in FIGS. 1-3 and 5-7 are for the  
purpose of illustrating portions of the dental bur that form no  
part of the claimed design.

**1 Claim, 4 Drawing Sheets**

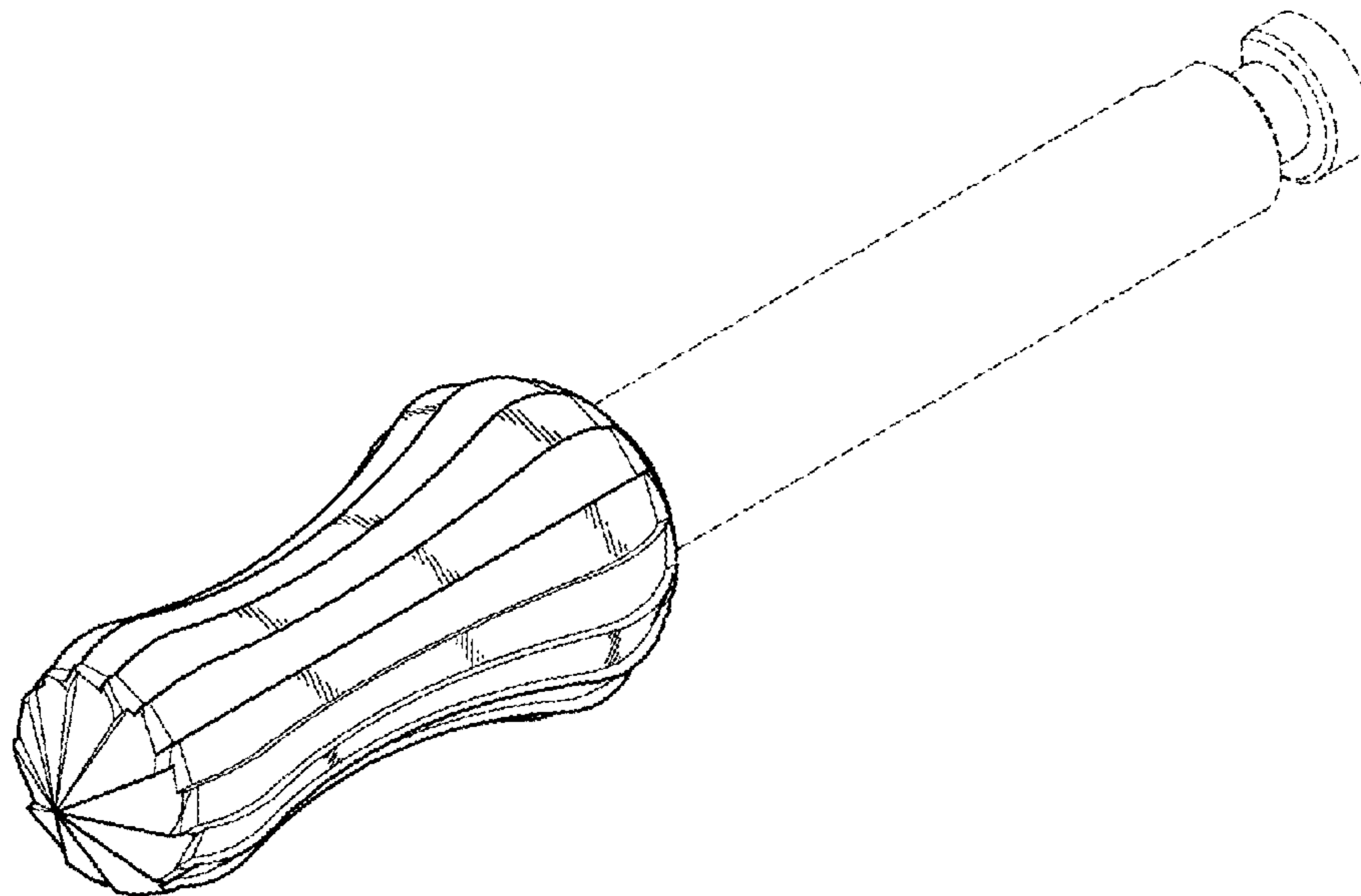


FIG. 1

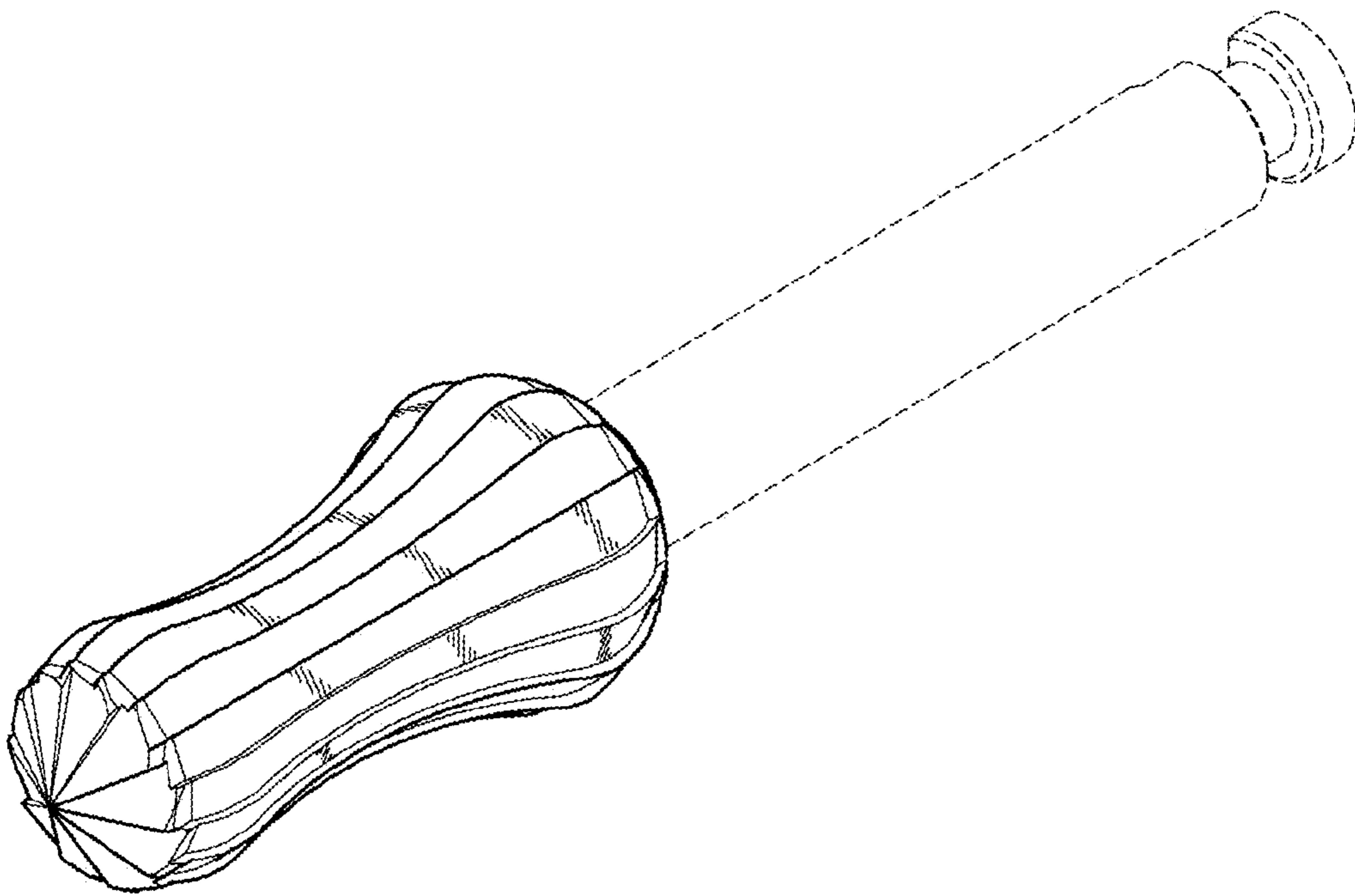


FIG. 2

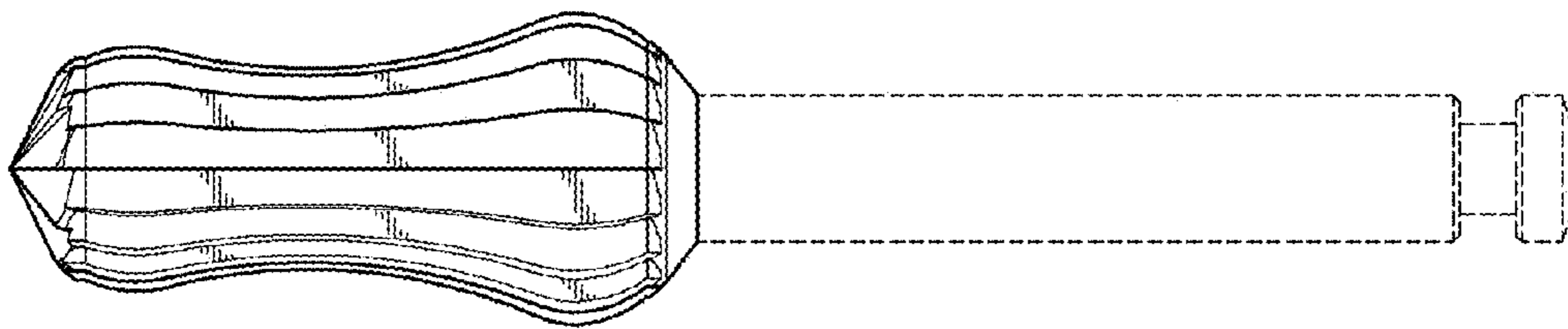


FIG. 3

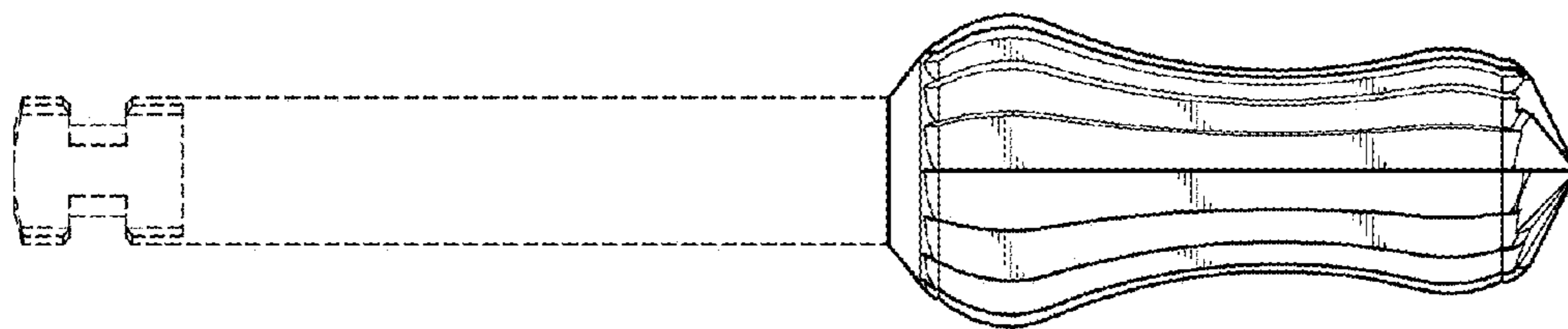


FIG. 4

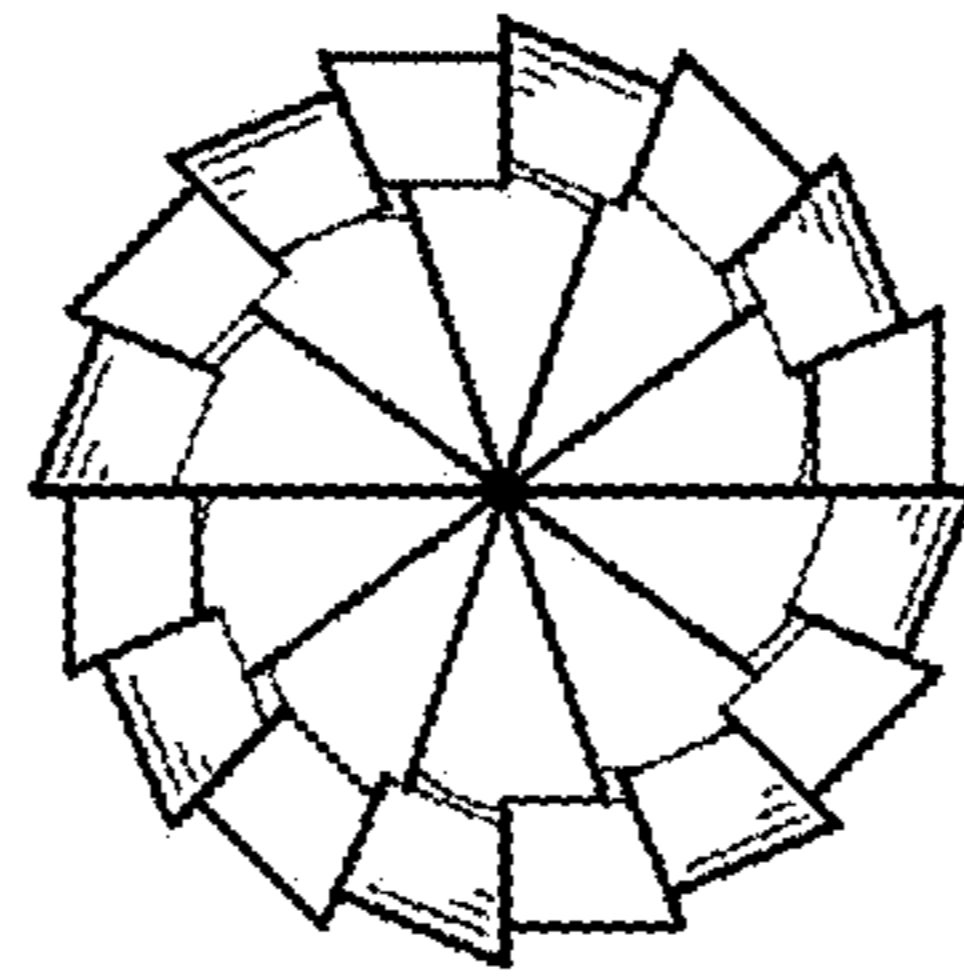


FIG. 5

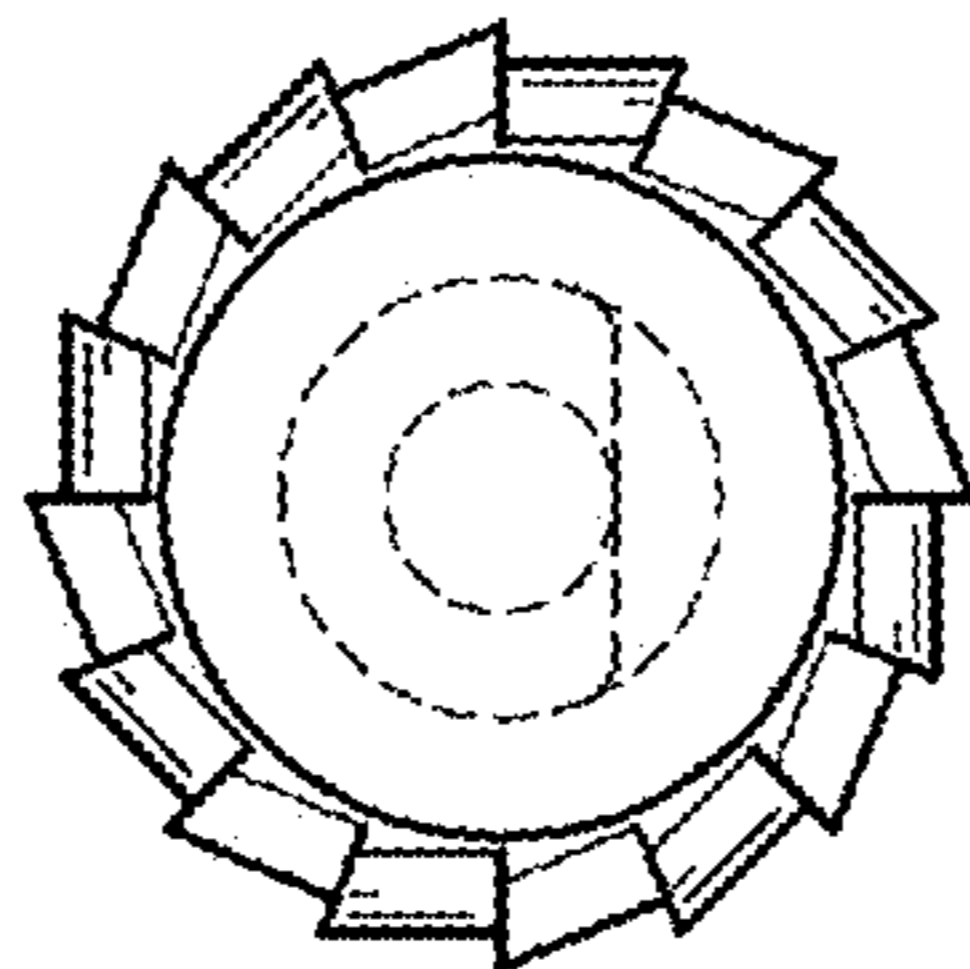


FIG. 6

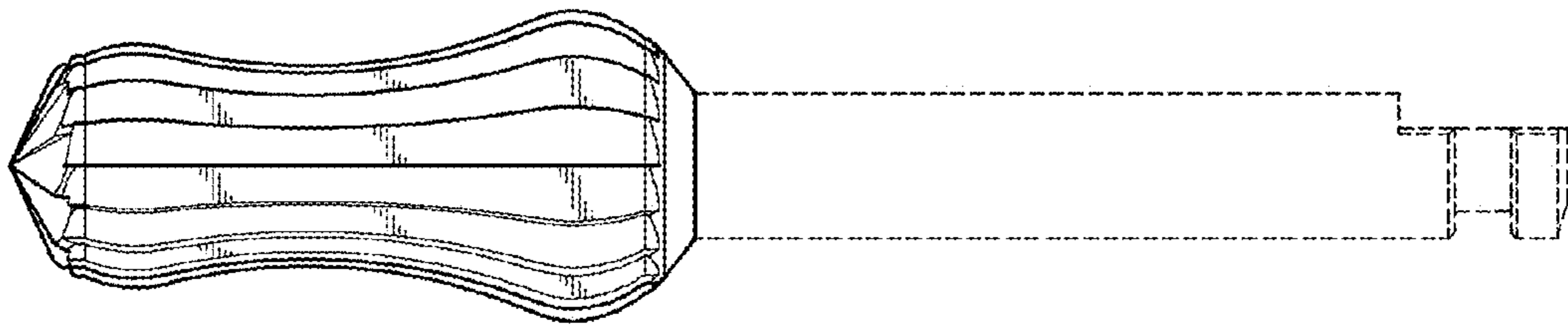


FIG. 7

