



US00D763440S

(12) **United States Design Patent**  
**Garzon et al.**

(10) **Patent No.:** **US D763,440 S**  
(45) **Date of Patent:** **\*\* Aug. 9, 2016**

- (54) **FEMALE URINAL FUNNEL**
- (71) Applicants: **Adrian Garzon**, Homestead, FL (US);  
**Nayibis Garzon**, Homestead, FL (US)
- (72) Inventors: **Adrian Garzon**, Homestead, FL (US);  
**Nayibis Garzon**, Homestead, FL (US)
- (\*\*) Term: **14 Years**
- (21) Appl. No.: **29/502,662**
- (22) Filed: **Sep. 18, 2014**
- (51) **LOC (10) Cl.** ..... **24-04**
- (52) **U.S. Cl.**  
USPC ..... **D24/122**
- (58) **Field of Classification Search**  
USPC ..... D24/121-123, 112, 207, 216, 224;  
D9/716, 524, 435, 441, 447, 431;  
D7/509-511, 309, 305, 900, 538, 539,  
D7/321, 700; 600/573, 574; 604/317, 318,  
604/334; D23/274, 302, 295, 309, 200;  
4/144.1-144.4, 459, 460; 229/138  
CPC ..... A61F 5/4556; A61F 5/3746; A61F 5/455;  
A47K 11/12; A61M 1/00; A61B 10/007  
See application file for complete search history.

(56) **References Cited**

**U.S. PATENT DOCUMENTS**

- 3,177,500 A \* 4/1965 Bauman ..... A61B 10/007  
4/144.3
- 3,750,722 A \* 8/1973 Nowak ..... B67C 11/00  
141/327
- D234,123 S \* 1/1975 Ragagli ..... D7/700
- 3,964,111 A \* 6/1976 Packer ..... A61F 5/4556  
4/144.4
- D340,468 S \* 10/1993 Pollak ..... D15/150
- D356,865 S \* 3/1995 Ivie ..... D24/121
- D379,225 S \* 5/1997 Canahuate ..... 4/144.4
- D383,949 S \* 9/1997 Lown ..... D7/700
- 5,839,123 A \* 11/1998 Dunham, Sr. .... A61G 9/006  
4/144.1
- 5,893,176 A 4/1999 Magiera et al.
- D420,869 S \* 2/2000 Diehl ..... D23/200
- D422,674 S \* 4/2000 Chrisco ..... D23/200

- 6,202,225 B1 3/2001 Beck et al.
- 6,264,072 B1 \* 7/2001 Johannes ..... B44D 3/12  
222/460
- 6,715,647 B1 \* 4/2004 Ivins ..... B44D 3/126  
141/319
- D499,482 S \* 12/2004 Gugliotta ..... D24/122
- D577,435 S \* 9/2008 Ivie ..... D24/122
- D578,642 S \* 10/2008 White ..... D24/128
- D612,485 S \* 3/2010 Wait ..... D24/112
- 7,682,347 B2 \* 3/2010 Parks ..... A61F 5/4556  
206/210
- D649,239 S 11/2011 Taravella
- 8,146,179 B1 4/2012 Duque
- D662,654 S \* 6/2012 Trudnowski ..... D27/167
- D728,327 S \* 5/2015 Wirth ..... D7/700
- D728,328 S \* 5/2015 Wirth ..... D7/700
- D731,052 S \* 6/2015 Doerr ..... D24/121
- 2006/0218709 A1 10/2006 Langford
- 2007/0006368 A1 \* 1/2007 Key ..... A61B 10/007  
4/144.2
- 2009/0048569 A1 2/2009 Salahi
- 2012/0210502 A1 8/2012 Baham
- 2014/0121561 A1 \* 5/2014 Chacchia ..... A61B 5/20  
600/574
- 2014/0325746 A1 \* 11/2014 Block ..... A61F 5/44  
4/144.3

**FOREIGN PATENT DOCUMENTS**

WO WO2009023878 2/2009

\* cited by examiner

*Primary Examiner* — David Muller  
*Assistant Examiner* — Nathan Johnston

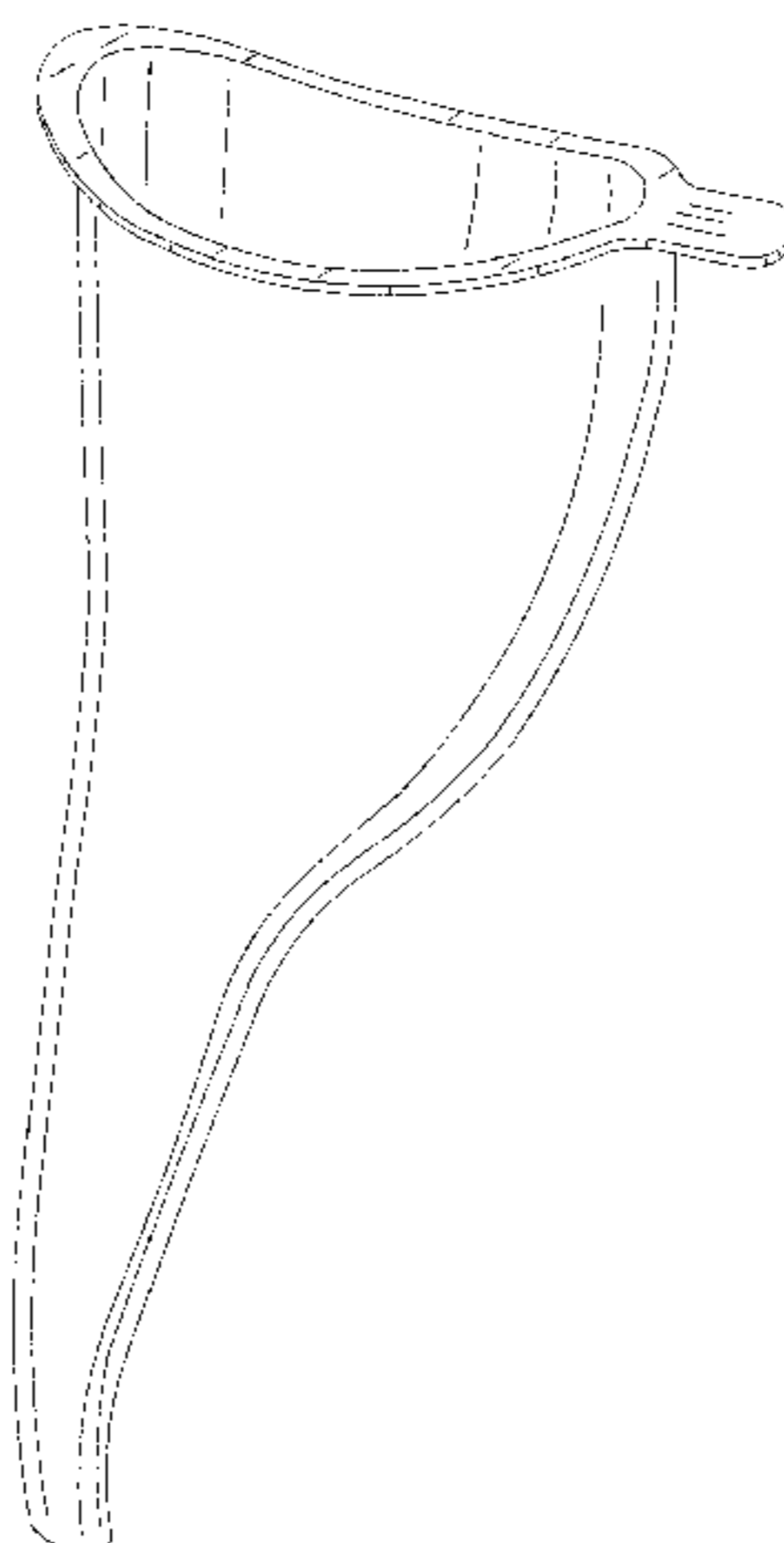
(57) **CLAIM**

The ornamental design for a female urinal funnel, as shown and described.

**DESCRIPTION**

FIG. 1 is a left side view of a female urinal funnel showing my new design, a right side elevation view being a mirror image thereof;  
FIG. 2 is a rear elevation view thereof;  
FIG. 3 is a front elevation view thereof;  
FIG. 4 is a top plan view thereof;  
FIG. 5 is a bottom plan view thereof; and,  
FIG. 6 is a top front side perspective view thereof.

**1 Claim, 4 Drawing Sheets**



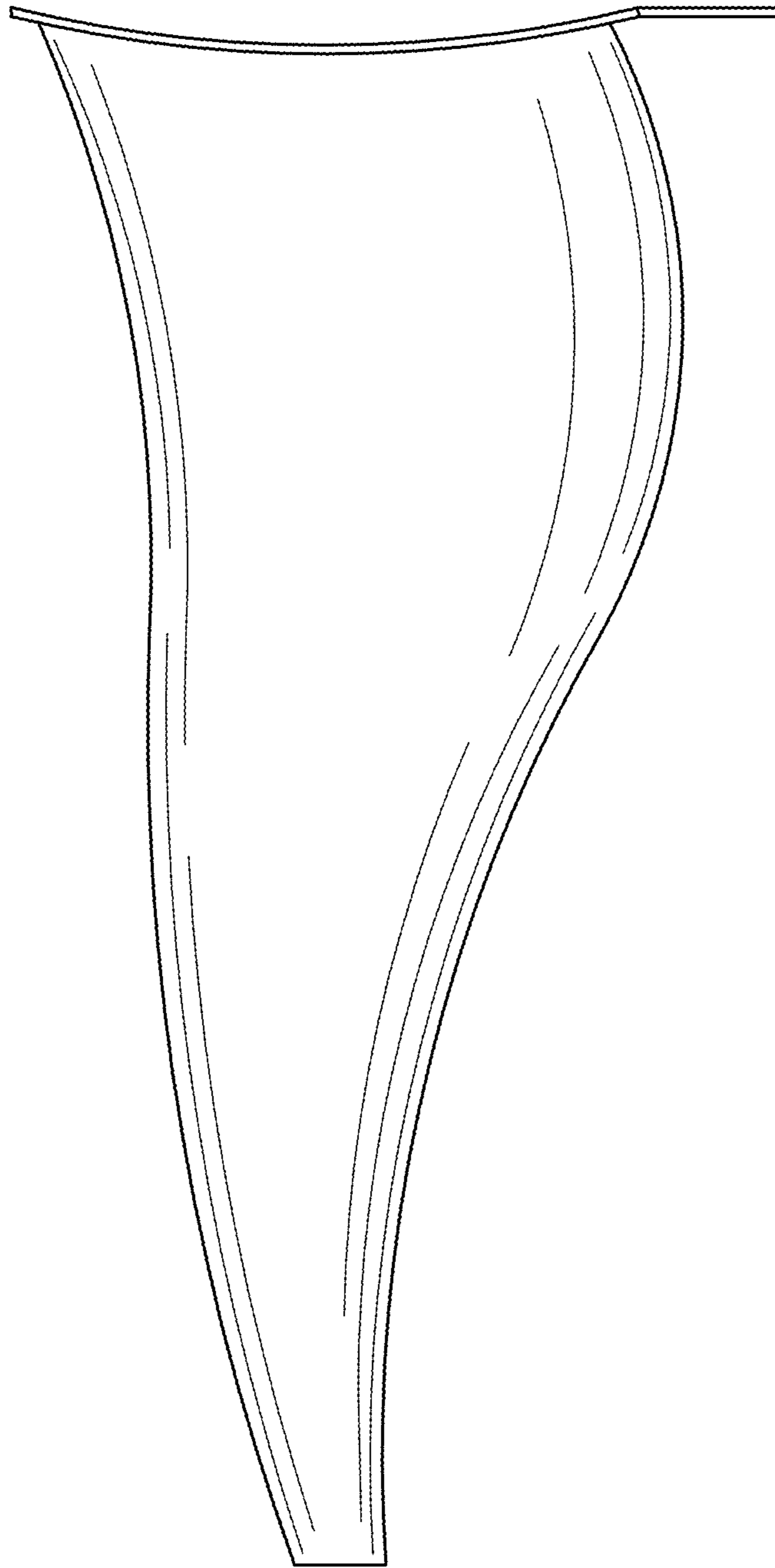


FIG. 1

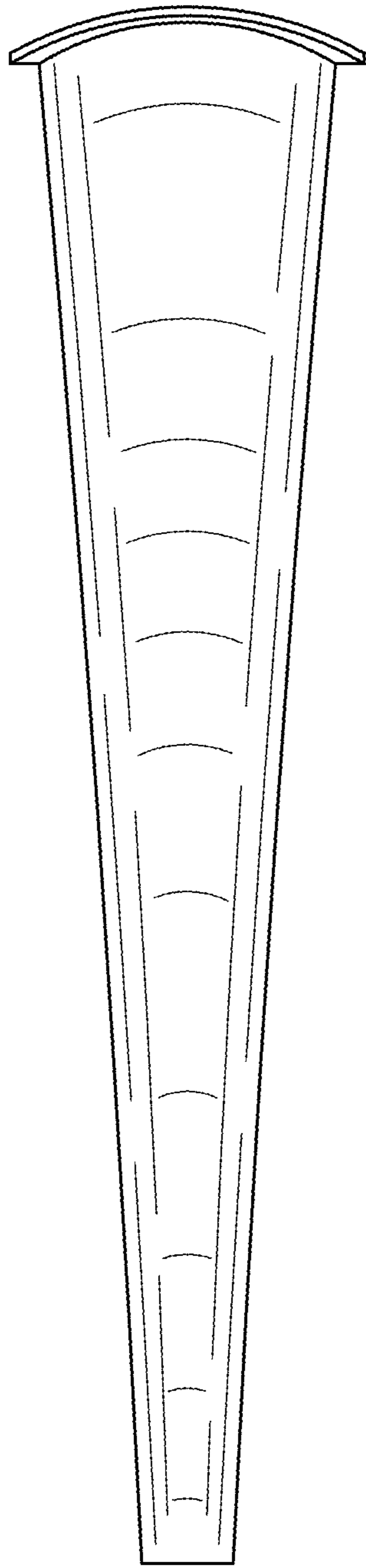


FIG. 2

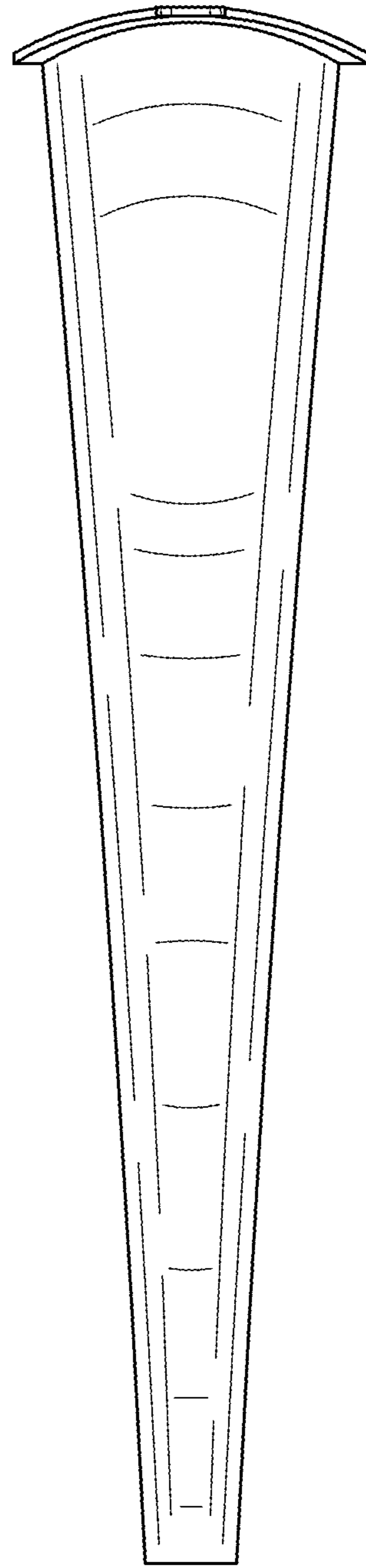


FIG. 3

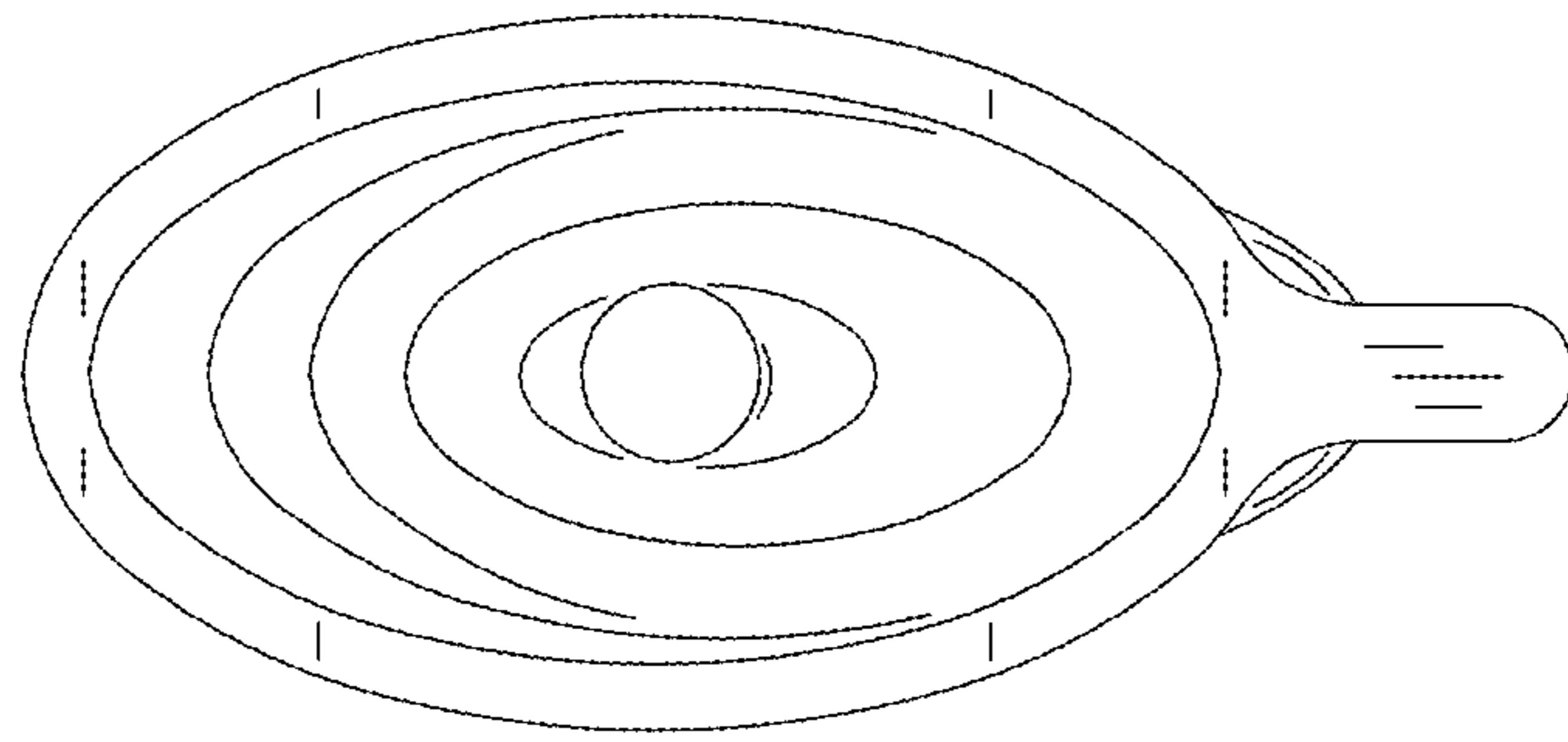


FIG. 4

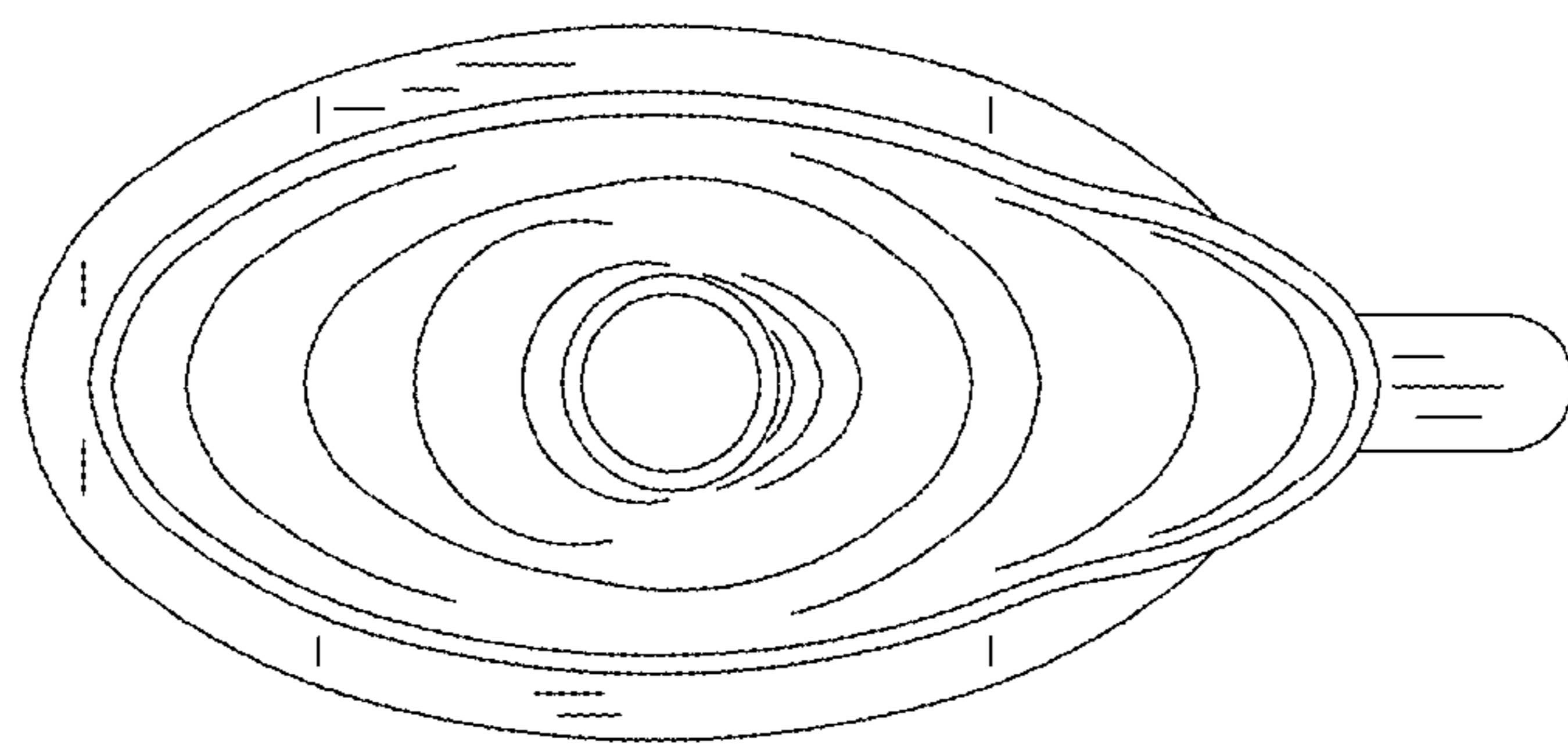


FIG. 5

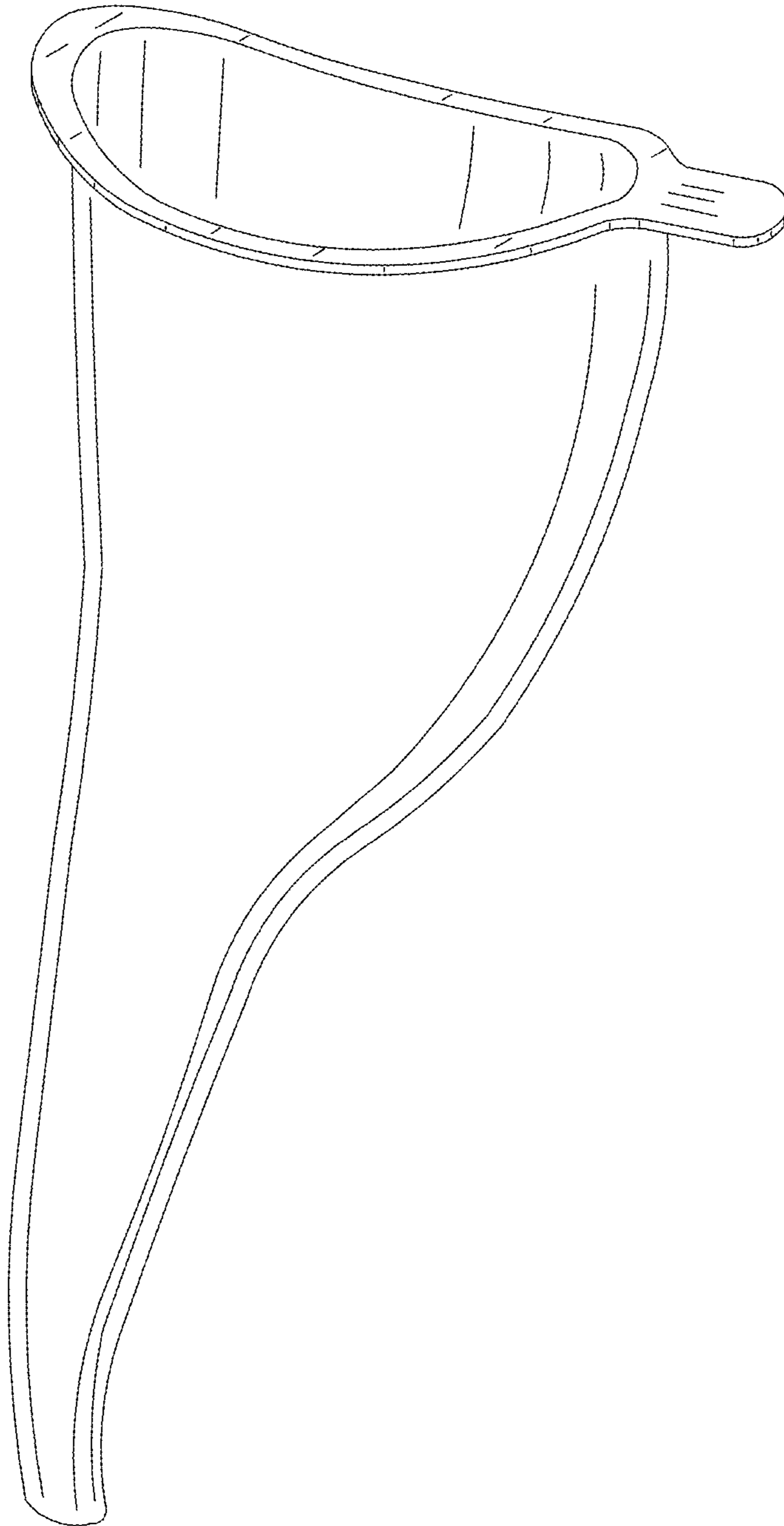


FIG. 6