

US00D763437S

(12) **United States Design Patent**
Dwyer

(10) **Patent No.:** **US D763,437 S**

(45) **Date of Patent:** **** Aug. 9, 2016**

(54) **RESPIRATOR CARTRIDGE BODY**

D339,658 S 9/1993 Lahteenmaki
RE35,062 E 10/1995 Brostrom
5,463,693 A * 10/1995 Birli H04R 27/00
381/367

(71) Applicant: **3M INNOVATIVE PROPERTIES COMPANY**, St. Paul, MN (US)

5,515,846 A 5/1996 Drews
5,579,761 A 12/1996 Yuschak

(72) Inventor: **Gary E. Dwyer**, Mallorytown (CA)

(Continued)

(73) Assignee: **3M Innovative Properties Company**, St. Paul, MN (US)

FOREIGN PATENT DOCUMENTS

(**) Term: **14 Years**

AU 359122 12/2014
AU 359123 12/2014

(Continued)

(21) Appl. No.: **29/518,787**

OTHER PUBLICATIONS

(22) Filed: **Feb. 27, 2015**

(51) **LOC (10) Cl.** **29-02**

(52) **U.S. Cl.**

USPC **D24/110.1**

(58) **Field of Classification Search**

USPC D24/110.1-110.4, 110.6, 127, 162;
D29/105, 107, 108, 110; D23/332,
D23/335, 355, 356, 366, 388, 412

CPC A62B 18/00; A62B 18/02; A62B 18/025;
A62B 18/08; A62B 18/10; A62B 23/00;
A62B 23/02; A62B 23/025; A62B 23/06;
A41D 13/11; A61M 16/0622; A61M 16/0616;
A61M 16/0816; A61M 16/08; A61M 16/0633;
A61M 16/0666; A61M 2210/0618; A61M
16/0683

See application file for complete search history.

Koken Particulate Respirators webpage, <http://www.koken-ltd.co.jp/english/particulatesrespirators.htm>, obtained from internet on Jun. 3, 2013.

U.S. Appl. No. 29/491,529, filed May 22, 2014, entitled *Respirator Cartridge Having a Slot*.

U.S. Appl. No. 29/491,530, filed May 22, 2014, entitled *Respirator Cartridge Having a Hole Pattern*.

U.S. Appl. No. 29/491,531, filed May 22, 2014, entitled *Respirator Cartridge Body*.

(Continued)

Primary Examiner — Barbara Fox

Assistant Examiner — Lilyana Bekic

(57) **CLAIM**

The ornamental design for a respirator cartridge body, as shown and described.

DESCRIPTION

FIG. 1 is a perspective view showing the new design for a respirator cartridge body;

FIG. 2 is a top view thereof, the bottom being a mirror image thereof;

FIG. 3 is a front view thereof;

FIG. 4 is a right side view thereof

FIG. 5 is a rear view thereof; and,

FIG. 6 is a left side view thereof.

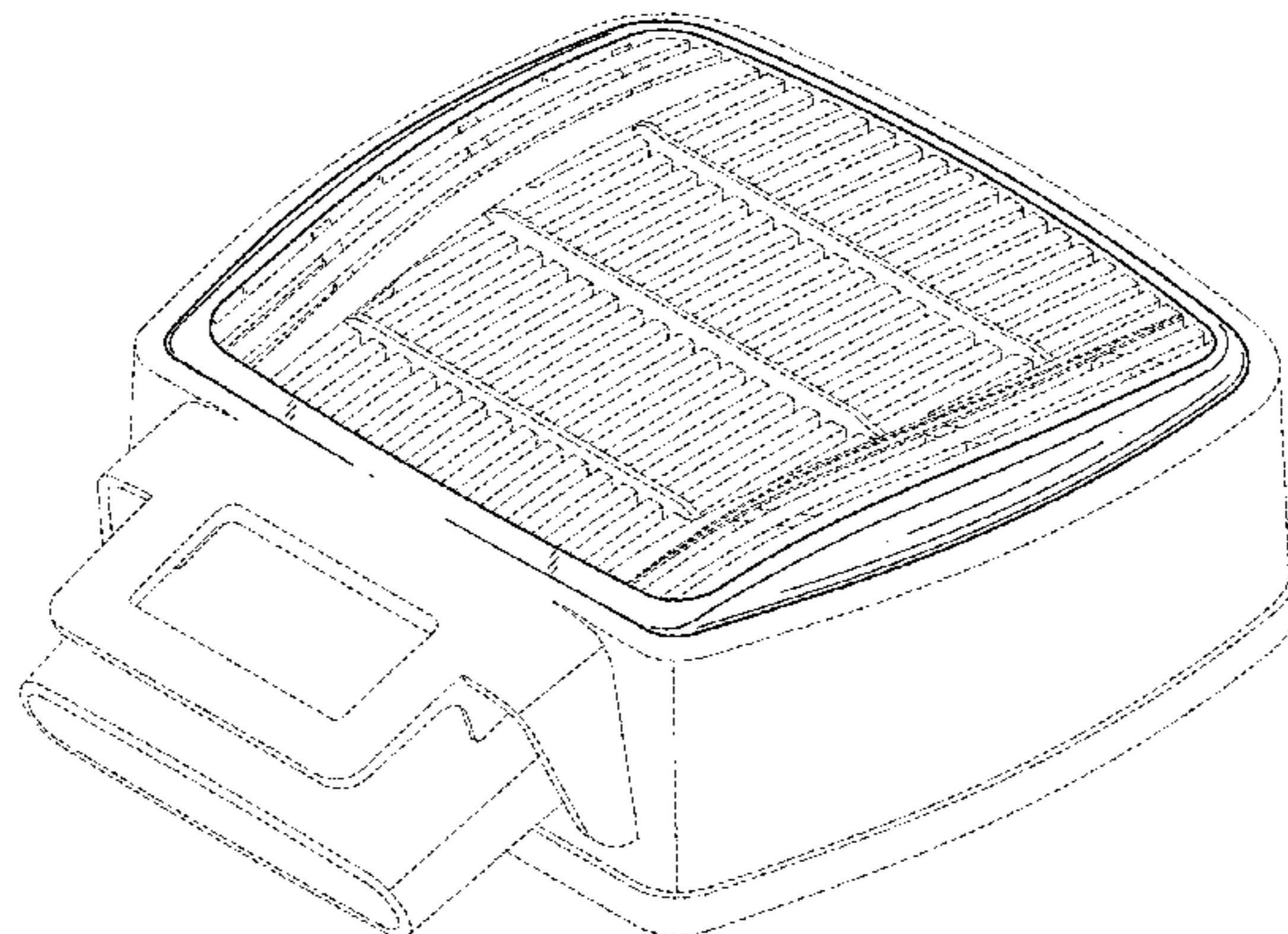
The broken lines in the drawings illustrate portions of the respirator cartridge body that form no part of the claimed design.

(56) **References Cited**

U.S. PATENT DOCUMENTS

2,055,853 A 9/1936 Schwartz
2,062,834 A 12/1936 Schwartz
2,235,624 A 3/1941 Schwartz
2,787,333 A 4/1957 Boone
4,562,837 A 1/1986 Schlobohm
D286,213 S 10/1986 Maryyanek
4,921,512 A 5/1990 Maryyanek
4,932,399 A 6/1990 Cappa
5,062,421 A * 11/1991 Burns A62B 18/025
128/205.27
5,086,768 A 2/1992 Niemeyer
5,148,803 A 9/1992 Schlobohm

1 Claim, 3 Drawing Sheets



(56)

References Cited

U.S. PATENT DOCUMENTS

5,592,935 A * 1/1997 Elstran A62B 7/02
128/205.25

5,611,925 A 3/1997 Yasue

5,647,356 A 7/1997 Osendorf

5,659,296 A * 8/1997 Debe A62B 18/088
128/202.22

5,666,949 A * 9/1997 Debe A62B 18/088
116/206

5,669,375 A 9/1997 Dahrendorf

5,689,833 A * 11/1997 Allen A62B 18/084
128/201.15

6,216,693 B1 4/2001 Rekow

6,298,849 B1 10/2001 Scholey

6,550,479 B1 4/2003 Duxbury

6,575,165 B1 6/2003 Cook

6,761,169 B2 7/2004 Eswarappa

6,793,702 B2 9/2004 Eswarappa

D518,571 S 4/2006 Martin

7,419,526 B2 9/2008 Greer

7,594,510 B2 * 9/2009 Betz A62B 18/082
128/205.25

8,089,367 B2 * 1/2012 Locke G01N 29/036
340/540

D677,780 S 3/2013 Choi

D677,781 S 3/2013 Choi

D678,508 S 3/2013 Choi

D683,446 S 5/2013 Eves

8,459,200 B2 * 6/2013 Battiato A62B 18/088
116/206

D696,396 S 12/2013 Eves

9,034,489 B2 * 5/2015 Jing B82Y 30/00
106/287.1

D745,962 S * 12/2015 Dwyer D24/110.1

D746,438 S * 12/2015 Dwyer D24/110.1

2001/0013347 A1 8/2001 Rekow

2002/0195109 A1 12/2002 Mittelstadt

2003/0217752 A1 11/2003 Muller

2004/0003810 A1 1/2004 Templeton

2004/0055604 A1 * 3/2004 Viner A62B 23/02
128/206.16

2005/0109343 A1 * 5/2005 Flannigan B29C 45/1676
128/206.17

2005/0126572 A1 6/2005 Gosweiler

2006/0254427 A1 * 11/2006 Trend D04H 1/565
96/154

2007/0235031 A1 * 10/2007 Betz A62B 18/02
128/206.21

2007/0235032 A1 * 10/2007 Betz A62B 18/02
128/206.24

2008/0063575 A1 * 3/2008 Rakow G01N 21/783
422/119

2009/0215618 A1 * 8/2009 Fansler C08K 5/17
502/402

2010/0206311 A1 * 8/2010 Flannigan A62B 18/025
128/207.12

2010/0218761 A1 * 9/2010 Flannigan A62B 18/025
128/201.19

2010/0294272 A1 * 11/2010 Holmquist-Brown A62B 18/088
128/202.22

2010/0294273 A1 * 11/2010 Rakow A62B 18/088
128/202.22

2010/0294274 A1 * 11/2010 Poirier A62B 18/088
128/202.22

2011/0094514 A1 * 4/2011 Rakow A62B 18/088
128/206.12

2012/0000465 A1 1/2012 Cavaliere

2012/0024289 A1 2/2012 Johnstone

2012/0052289 A1 * 3/2012 Jing B82Y 30/00
428/331

2012/0174922 A1 7/2012 Virr

2014/0216475 A1 * 8/2014 Blomberg A62B 9/04
128/863

2015/0136142 A1 * 5/2015 Blomberg A62B 7/10
128/206.17

2015/0336718 A1 * 11/2015 Dwyer A62B 18/006
128/205.12

FOREIGN PATENT DOCUMENTS

AU 359124 12/2014

AU 359127 12/2014

AU 359128 12/2014

AU 359129 12/2014

AU 360264 2/2015

CA 82141 10/1997

CA 106801 12/2005

CN 3342471 12/2003

CN 3457902 6/2005

CN 3674586 7/2007

CN 300757753 3/2008

CN 300801845 7/2008

CN 301345091 9/2010

CN 301787238 1/2012

CN 301841897 2/2012

CN 301863214 3/2012

CN 302193139 11/2012

CN 302193145 11/2012

CN 302386273 4/2013

CN 302571626 9/2013

CN 302675143 12/2013

CN 302754689 3/2014

DE M9107635-0001 6/1992

EM 00096961-0001 2/2004

EM 001233373-0002 10/2010

EM 001233373-0003 10/2010

EM 001871401-0001 8/2011

EM 001871401-0003 8/2011

EM 001871401-0004 8/2011

EM 001871401-0005 8/2011

EM 001352645-0001 12/2012

EM 001352645-0002 12/2012

EM 001355259-0001 1/2013

EM 001355259-0002 1/2013

EM 001378673-0001 8/2013

EM 001401335-0001 1/2014

EM 001401335-0002 1/2014

EM 001401335-0003 1/2014

EM 001401335-0004 1/2014

EM 001401335-0005 1/2014

EM 001401335-0006 1/2014

EM 001405609-0001 3/2014

EM 001405609-0002 3/2014

EM 001405609-0003 3/2014

EM 001405609-0004 3/2014

EM 001411052-0001 8/2014

EM 001411052-0002 8/2014

EM 001411052-0003 8/2014

EM 001411052-0004 8/2014

EM 001411052-0005 8/2014

EM 001411052-0006 8/2014

EM 001411052-0007 8/2014

EM 001411052-0008 8/2014

EM 001411052-0009 8/2014

EM 001411052-0010 8/2014

EM 001411052-0011 8/2014

EM 001411052-0012 8/2014

EP 002332650-000 11/2013

FR 916655-001 12/1991

FR 972590-001 9/1997

GB 2078022 2/1999

JP D1253605 10/2005

JP D1334600 6/2008

JP D1423131 9/2011

JP D1424448 10/2011

JP D1433068 2/2012

JP D1489843 2/2014

KR 300365183 10/2004

KR 300387985 7/2005

(56)

References Cited

FOREIGN PATENT DOCUMENTS

KR	300402015	12/2005
KR	10-0773460	11/2007
KR	300484303	3/2008
KR	300497704	7/2008
KR	300505691	9/2008
KR	300514863	12/2008
KR	300516185	1/2009
KR	300526158	4/2009
KR	300542031	10/2009
KR	300563142	6/2010
KR	300649412	6/2012
KR	300649413	6/2012
KR	300662871	10/2012
KR	300683043	3/2013
KR	300683052	3/2013
KR	300683069	3/2013
KR	300684091	3/2013
KR	300726258	1/2014
KR	300726303	1/2014

RU	63184	6/2007
WO	03/090873	11/2003
WO	2008/082415	7/2008

OTHER PUBLICATIONS

U.S. Appl. No. 29/491,532, filed May 22, 2014, entitled *Respirator Cartridge*.

U.S. Appl. No. 29/491,533, filed May 22, 2014, entitled *Respirator Cartridge Having an Engagement Latch*.

U.S. Appl. No. 29/491,563, filed May 22, 2014, entitled *Respirator Filter Retainer Having Openings*.

U.S. Appl. No. 29/491,566, filed May 22, 2014, entitled *Respirator Filter Retainer*.

U.S. Appl. No. 29/491,568, filed May 22, 2014, entitled *Respirator Filter Retainer Having a Slot*.

U.S. Appl. No. 29/491,575, filed May 22, 2014, entitled *Respirator Filter Cover*.

U.S. Appl. No. 29/472,778, filed Nov. 15, 2013, entitled *Filter Cartridge*.

* cited by examiner

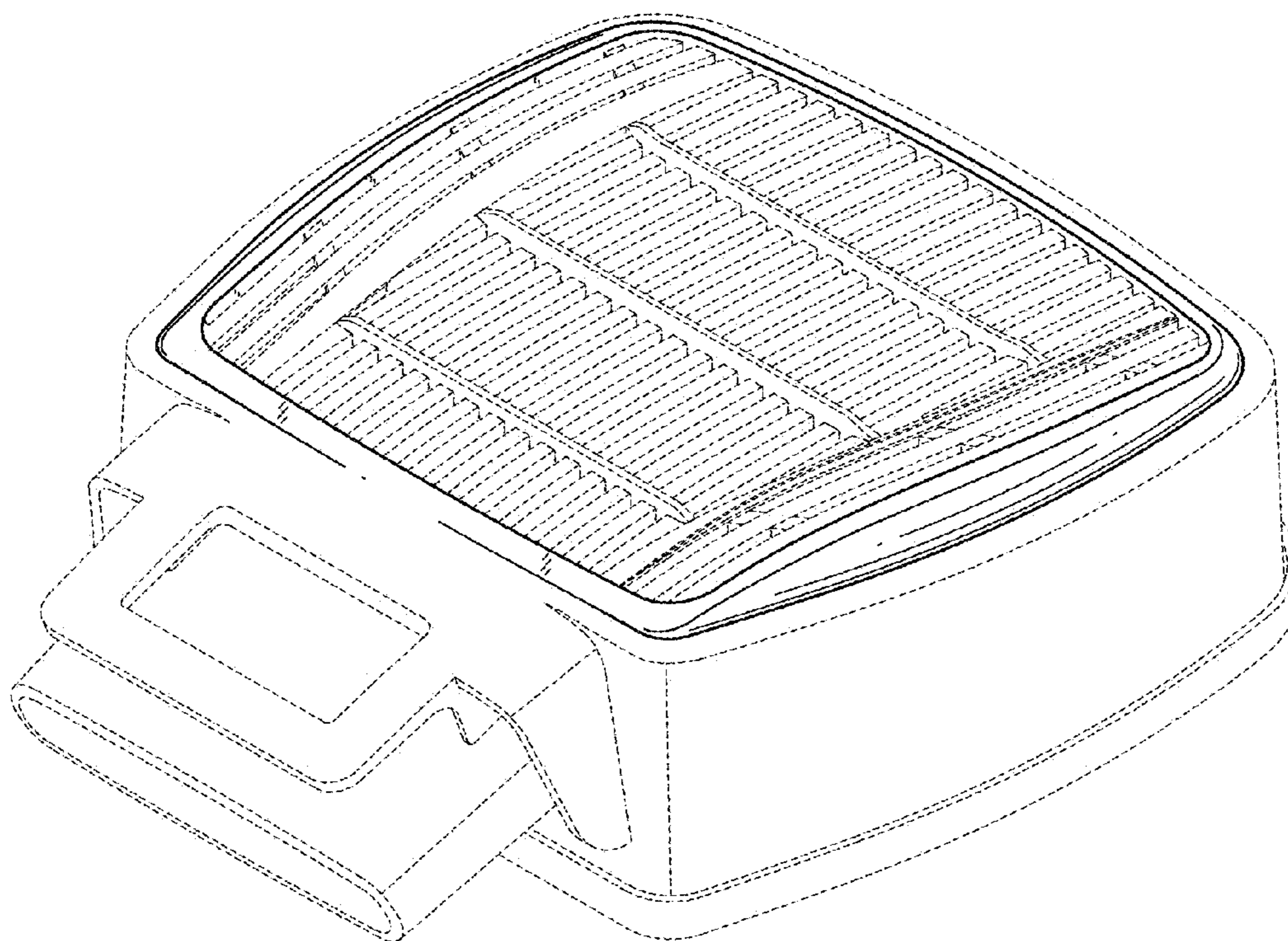


FIG. 1

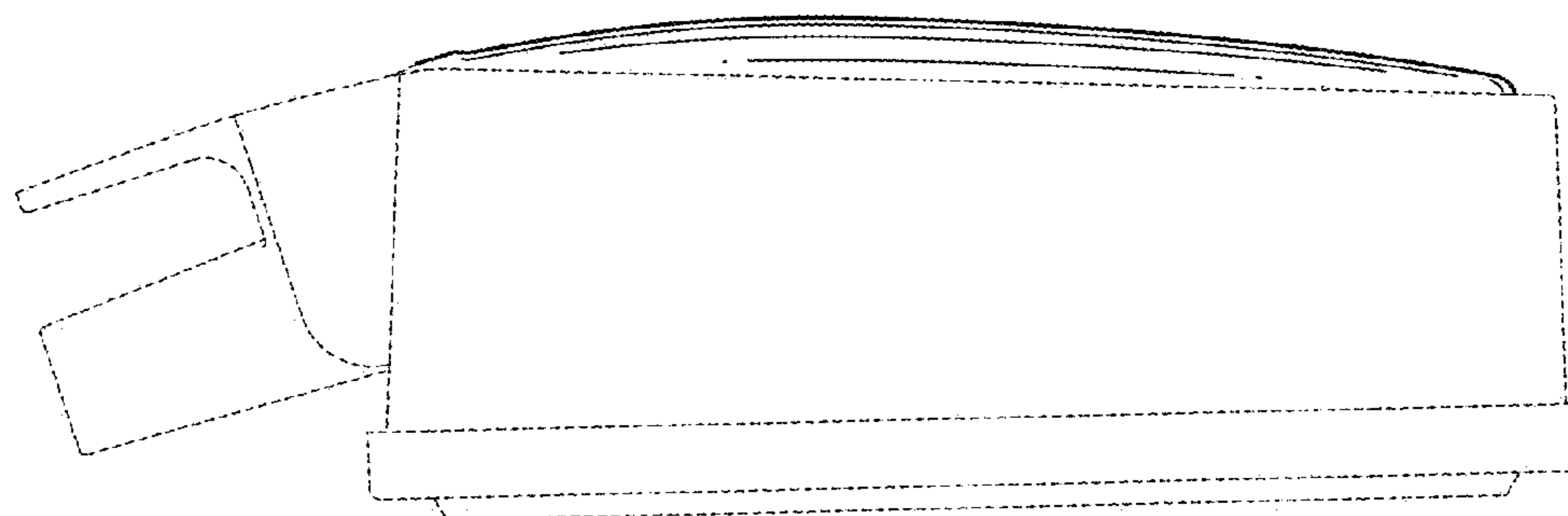


FIG. 2

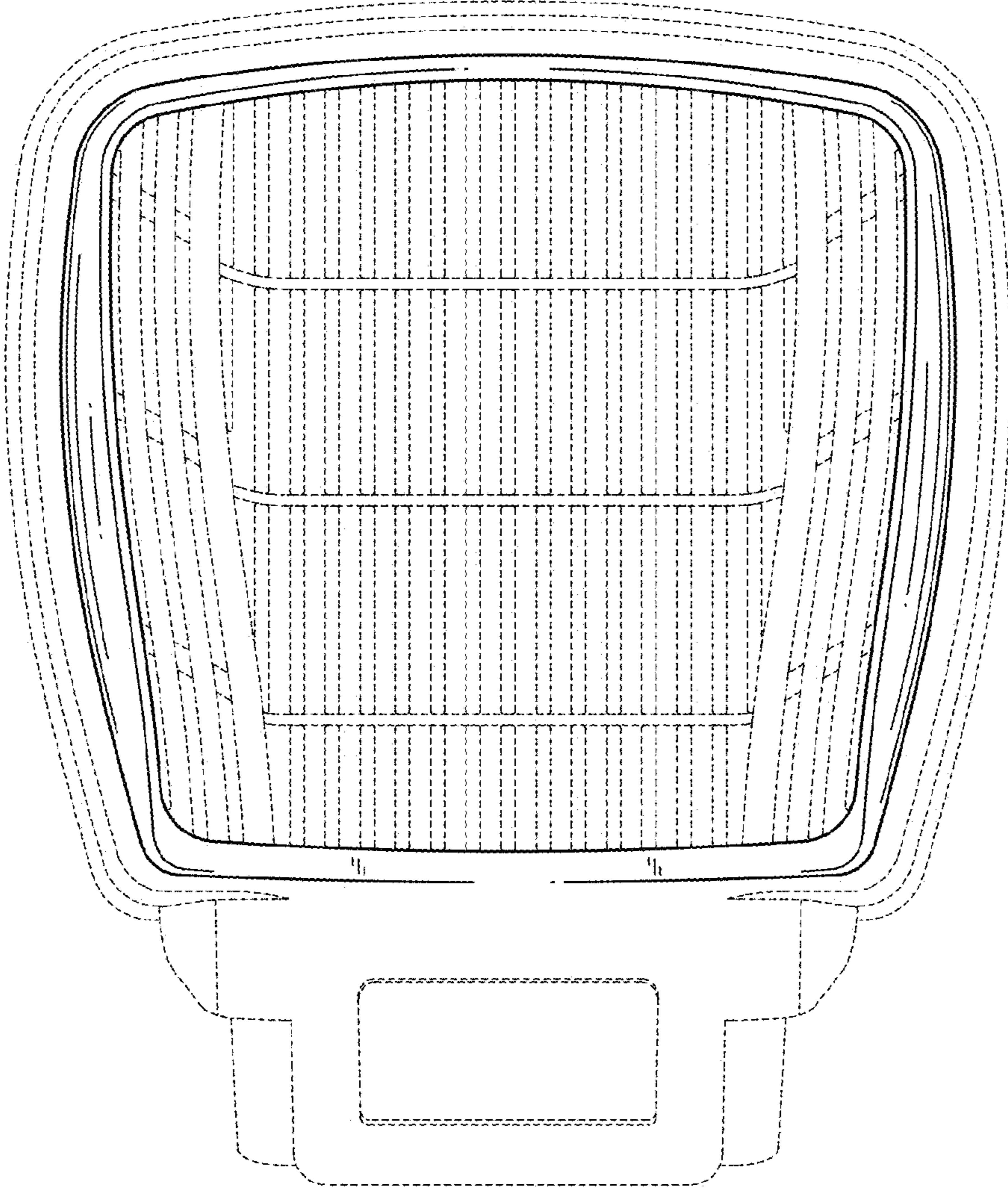


FIG. 3

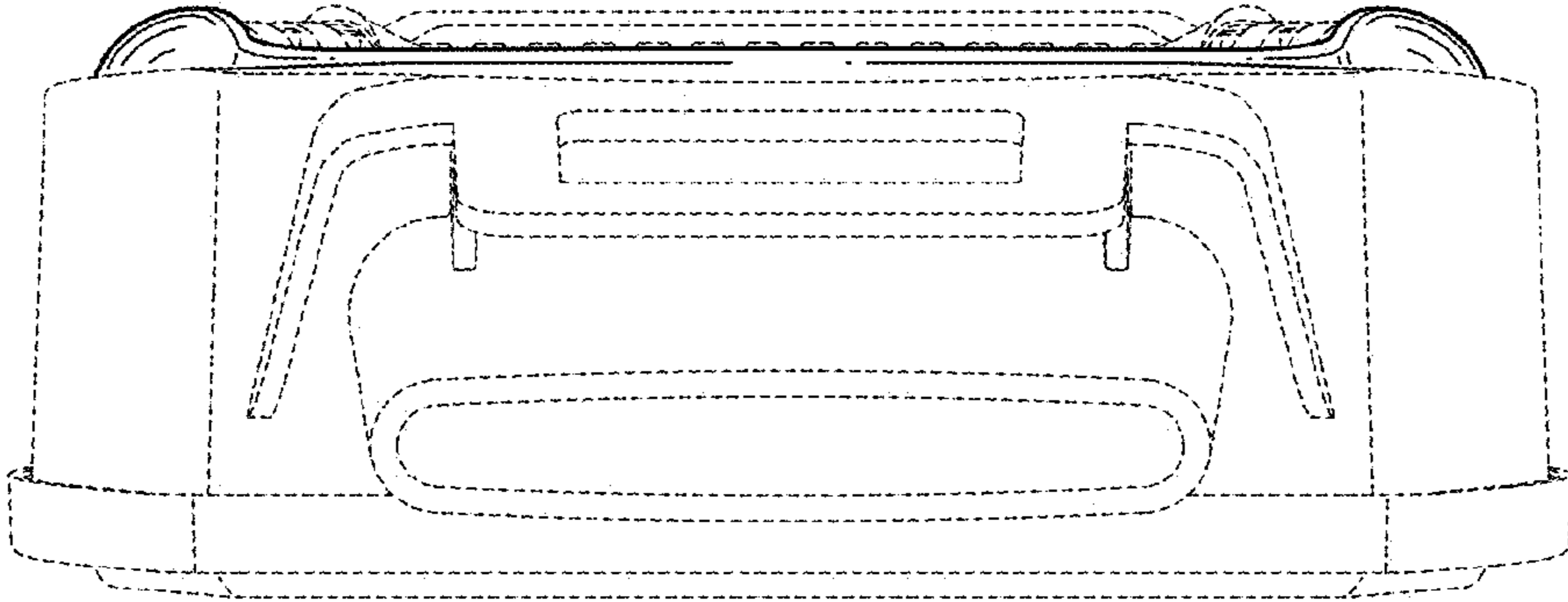


FIG. 4

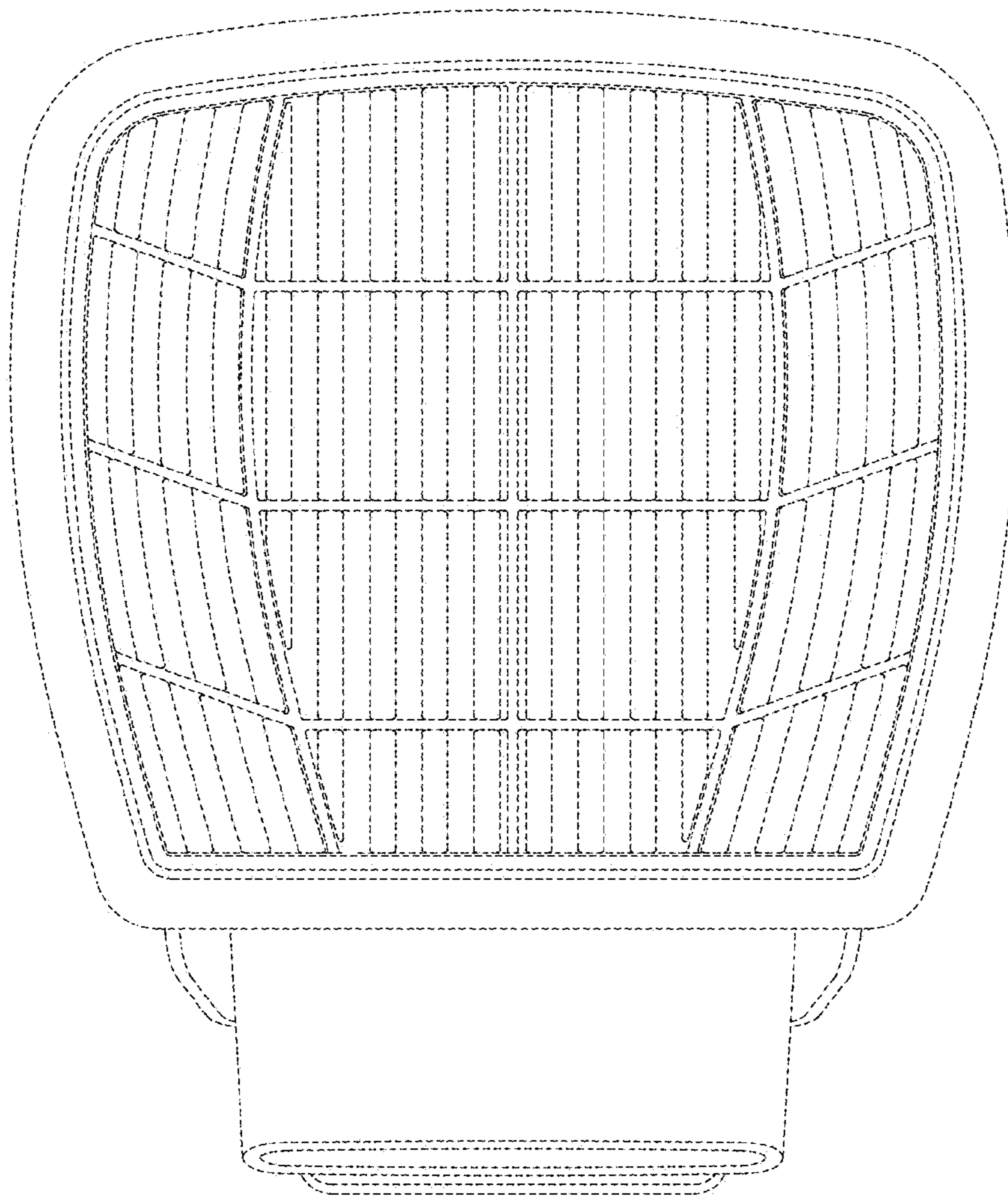


FIG. 5

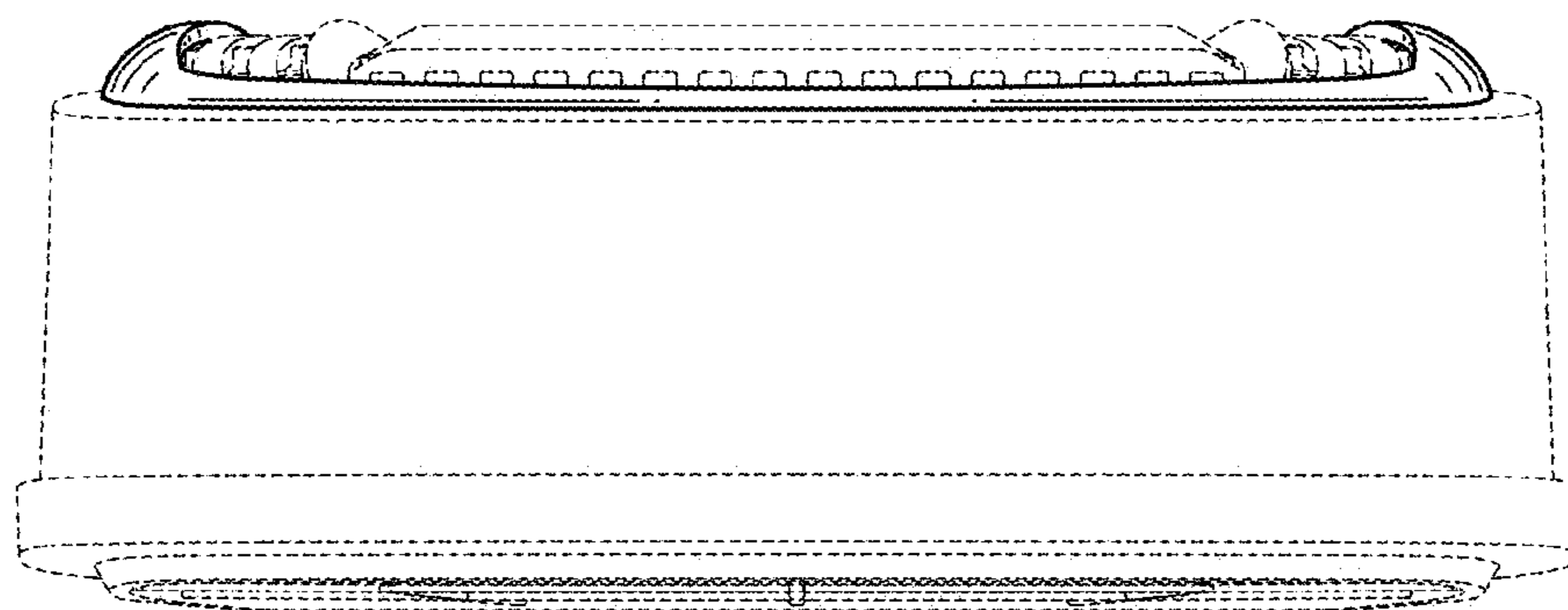


FIG. 6