



US00D763435S

(12) **United States Design Patent**
Patvibul et al.

(10) **Patent No.:** **US D763,435 S**
(45) **Date of Patent:** **** Aug. 9, 2016**

- (54) **ADAPTOR FOR SECURING A BAG TO A BREAST PUMP**
- (71) Applicant: **Inteplast Group, Ltd.**, Livingston, NJ (US)
- (72) Inventors: **Chatporn Patvibul**, Chonburi (TH); **Sema Srisai**, Chonburi (TH); **Decha Boontawee**, Chonburi (TH); **Santi Phalchai**, Chonburi (TH)
- (73) Assignee: **Inteplast Group Corporation**, Livingston, NJ (US)
- (**) Term: **14 Years**
- (21) Appl. No.: **29/507,534**
- (22) Filed: **Oct. 28, 2014**
- (51) **LOC (10) Cl.** **24-02**
- (52) **U.S. Cl.**
USPC **D24/109**
- (58) **Field of Classification Search**
USPC D24/108, 109; 604/74-76; D9/500, 549
CPC A61M 1/062; A61M 1/06; A61M 1/066; A61M 1/064; A61J 9/00; A61J 9/001
See application file for complete search history.

(56) **References Cited**

U.S. PATENT DOCUMENTS

6,575,202	B2	6/2003	Lafond	
D486,224	S *	2/2004	Gay, III	D24/109
D486,225	S *	2/2004	Gay, III	D24/109
6,962,439	B2	11/2005	Taheri	
D633,797	S *	3/2011	Cresswell	D9/500
8,357,116	B2	1/2013	Simdon	
2002/0156419	A1 *	10/2002	Silver	A61J 9/005 604/74
2006/0074379	A1	4/2006	Hunt	
2012/0022445	A1 *	1/2012	Jones	A61M 1/06 604/74
2012/0041365	A1 *	2/2012	Simdon	A61M 1/06 604/74
2012/0051670	A1	3/2012	Matias	
2014/0102918	A1 *	4/2014	Eitrheim	A61J 9/00 206/219
2014/0107608	A1 *	4/2014	McBean	A61J 9/005 604/500

2014/0343486 A1* 11/2014 Taheri A61M 1/064
604/75

(Continued)

OTHER PUBLICATIONS

Medela, Inc., Pump & Save instructions, McHenry, Illinois, 1907659J1212, copyright 2012.

(Continued)

Primary Examiner — Barbara Fox

Assistant Examiner — Lilyana Bekic

(74) *Attorney, Agent, or Firm* — Senniger Powers LLP

(57) **CLAIM**

The ornamental design for an adaptor for securing a bag to a breast pump, as shown and described.

DESCRIPTION

FIG. 1 is a top, front, and right side perspective view of a first embodiment of an adaptor for securing a bag to a breast pump showing the new design;

FIG. 2 is a front view thereof;

FIG. 3 is a right side view thereof;

FIG. 4 is a top view thereof;

FIG. 5 is a rear view thereof;

FIG. 6 is a left side view thereof;

FIG. 7 is a bottom view thereof;

FIG. 8 is a top, front, and right side perspective view of a second embodiment of the adaptor for securing a bag to a breast pump;

FIG. 9 is a front view thereof;

FIG. 10 is a right side view thereof;

11 is a top view thereof;

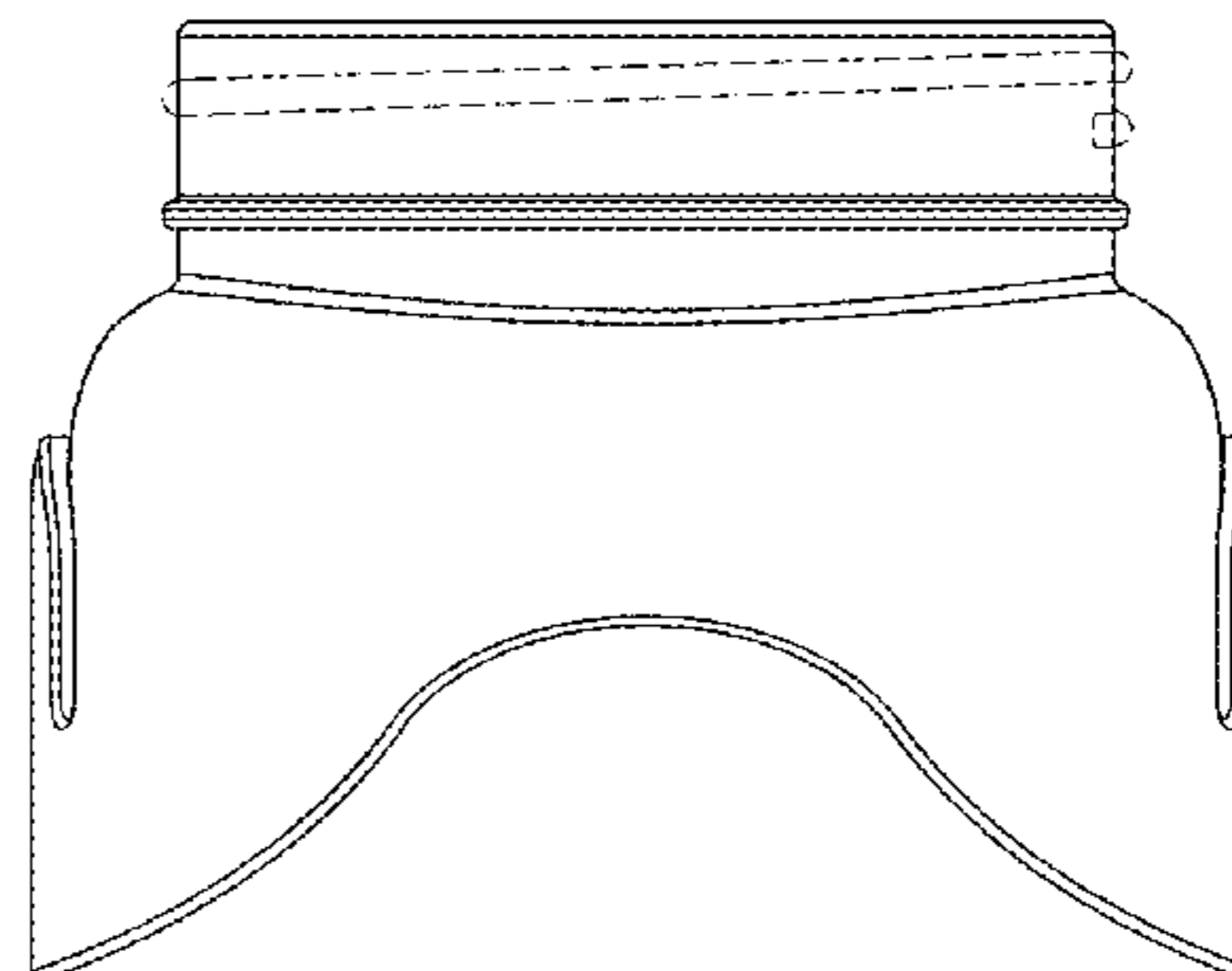
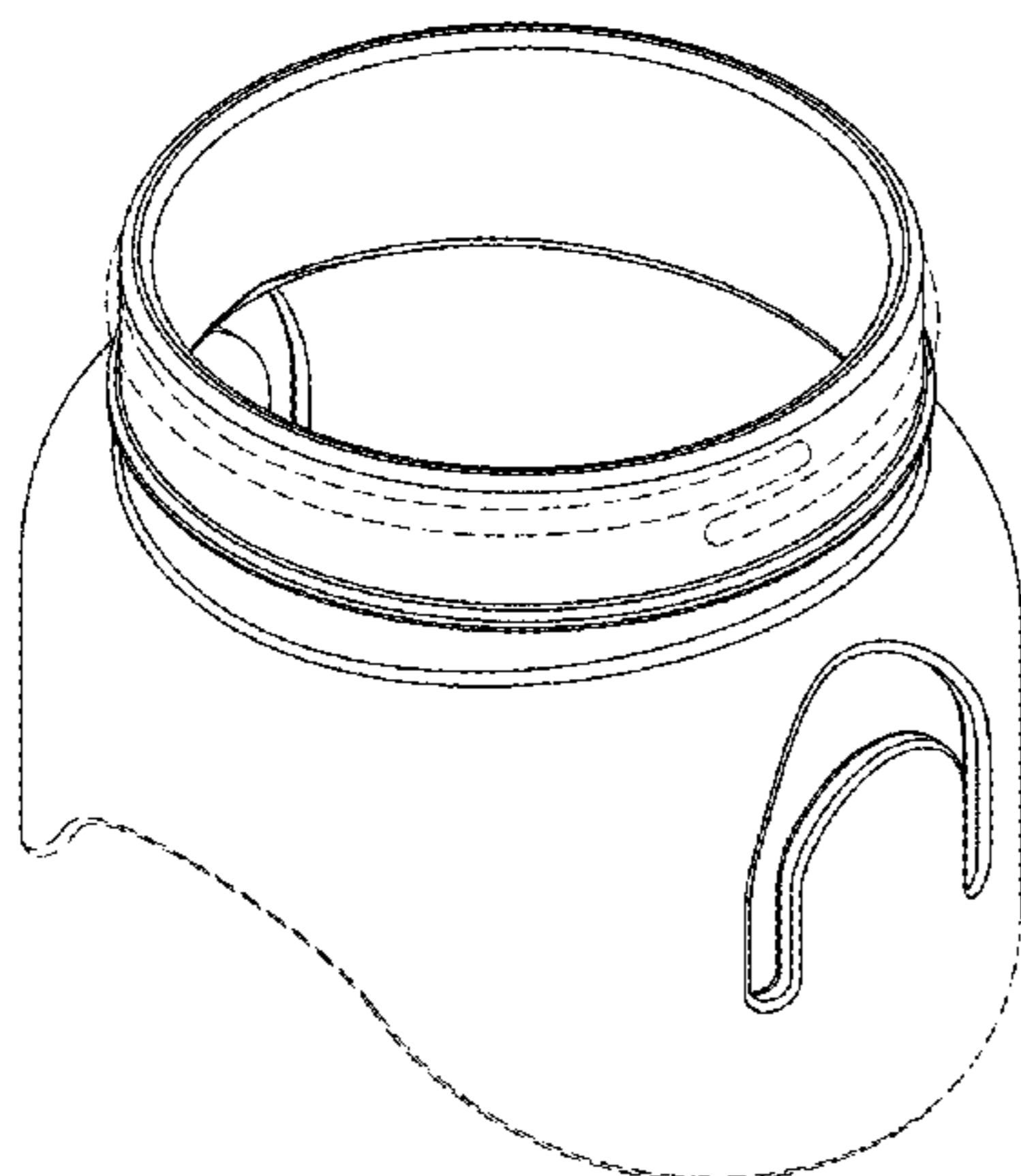
12 is a rear view thereof;

13 is a left side view thereof; and,

14 is a bottom view thereof.

The broken lines in the drawings illustrate portions of the adaptor for securing a bag to a breast pump that form no part of the claimed design.

1 Claim, 14 Drawing Sheets



(56)

References Cited

U.S. PATENT DOCUMENTS

2015/0024085 A1* 1/2015 McBean A61J 11/04
426/2
2015/0144584 A1* 5/2015 Renz A61J 9/001
215/11.3
2016/0015603 A1* 1/2016 McBean A61J 9/005
215/11.3

OTHER PUBLICATIONS

Ameda, Store 'N Pour(TM) Breast Milk Storage Bags, published at <http://ameda.com/breastfeeding-products/milk-collection-storage/store-n-pour-breast-milk-storage-bags> and archived by the 'WayBackMachine' on Mar. 27, 2014.

* cited by examiner

FIG. 1

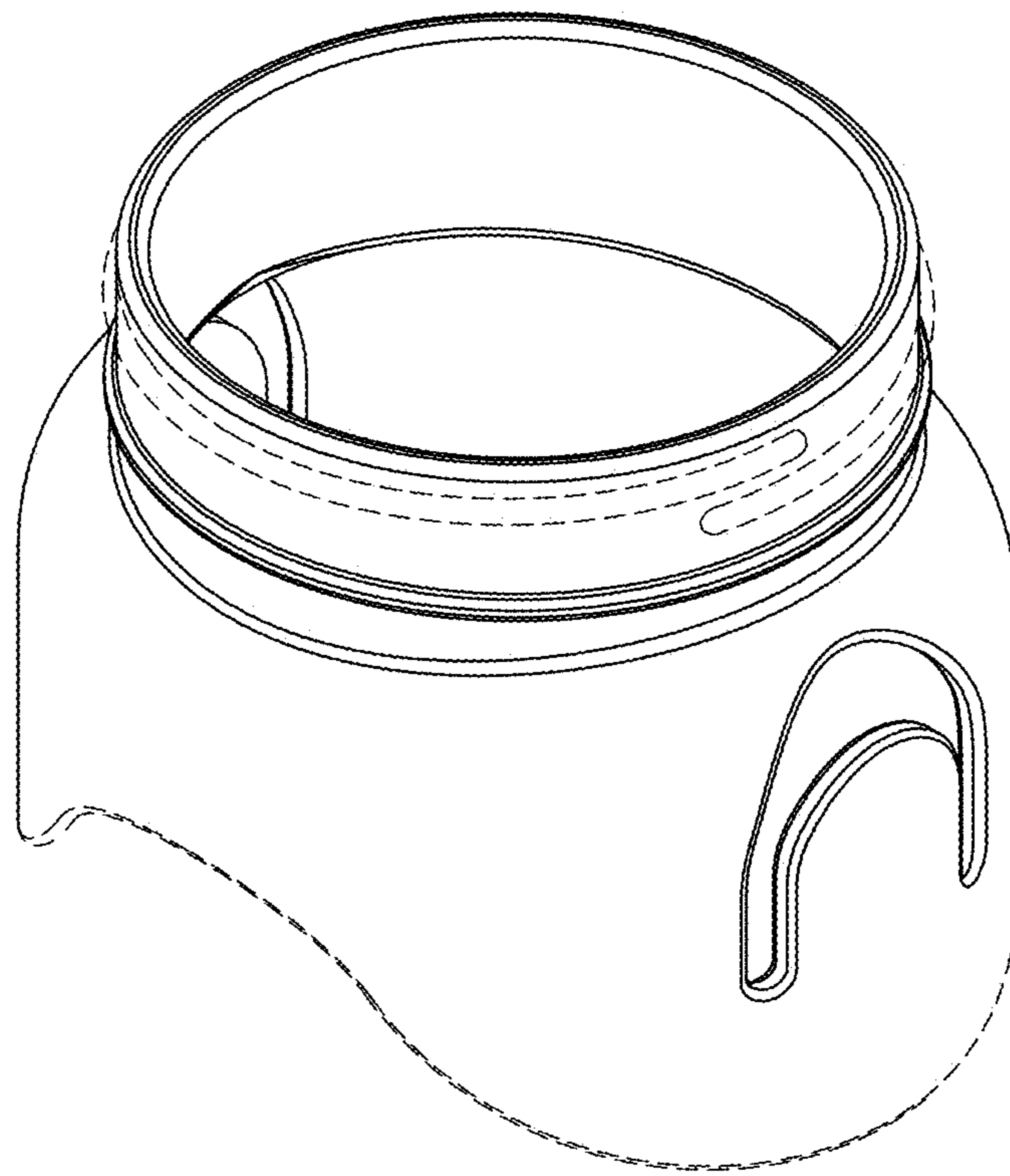


FIG. 2

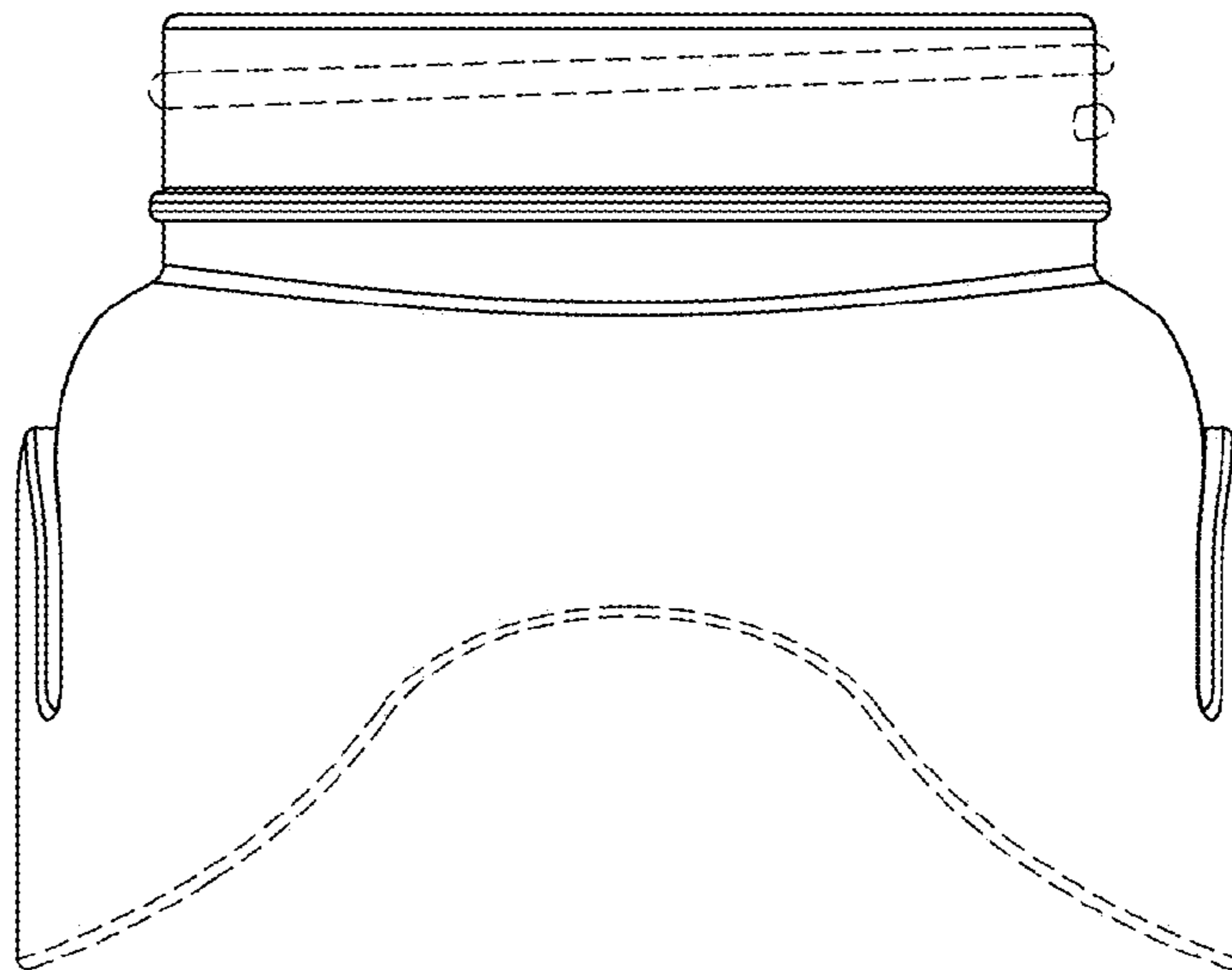


FIG. 3

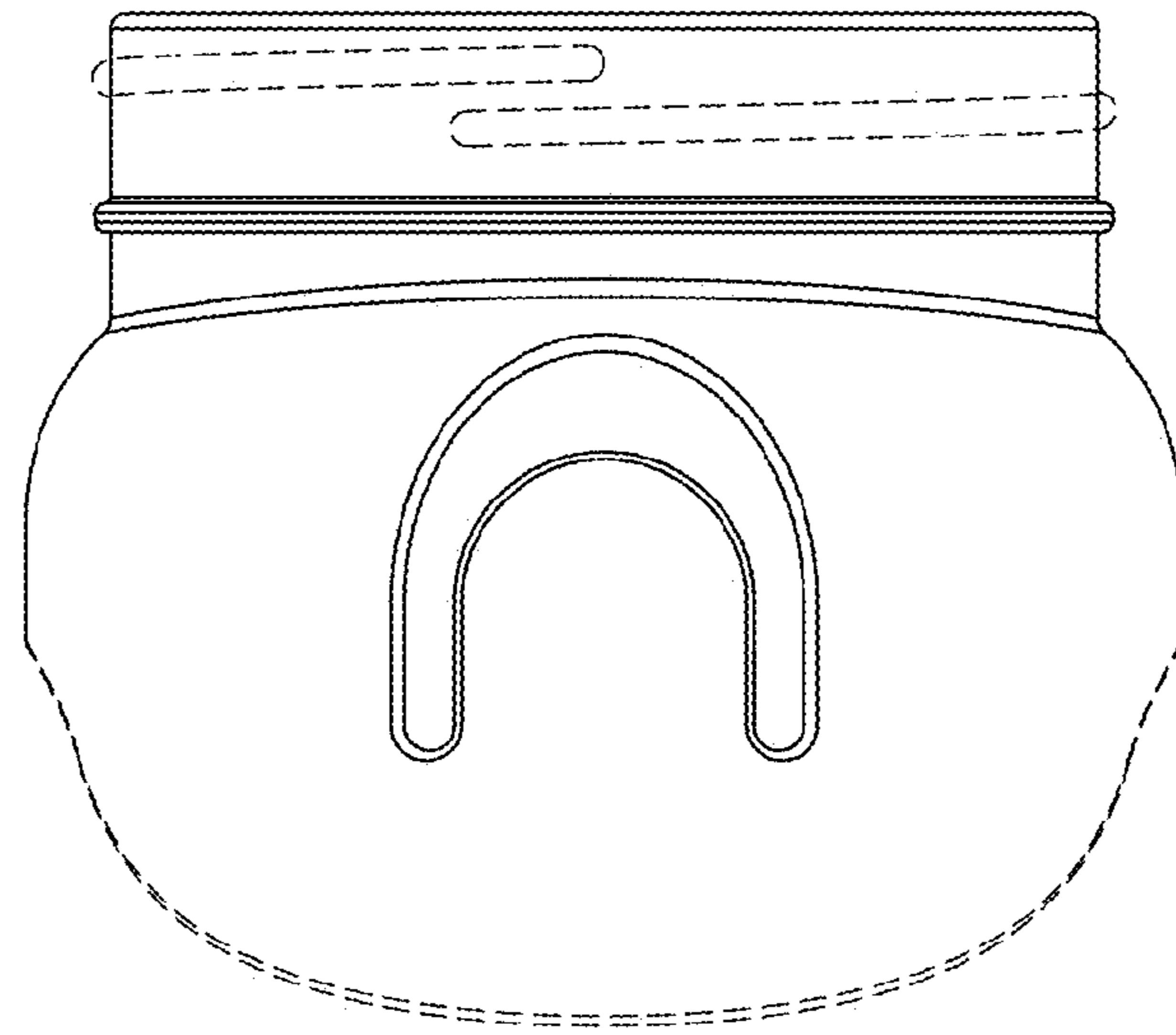


FIG. 4

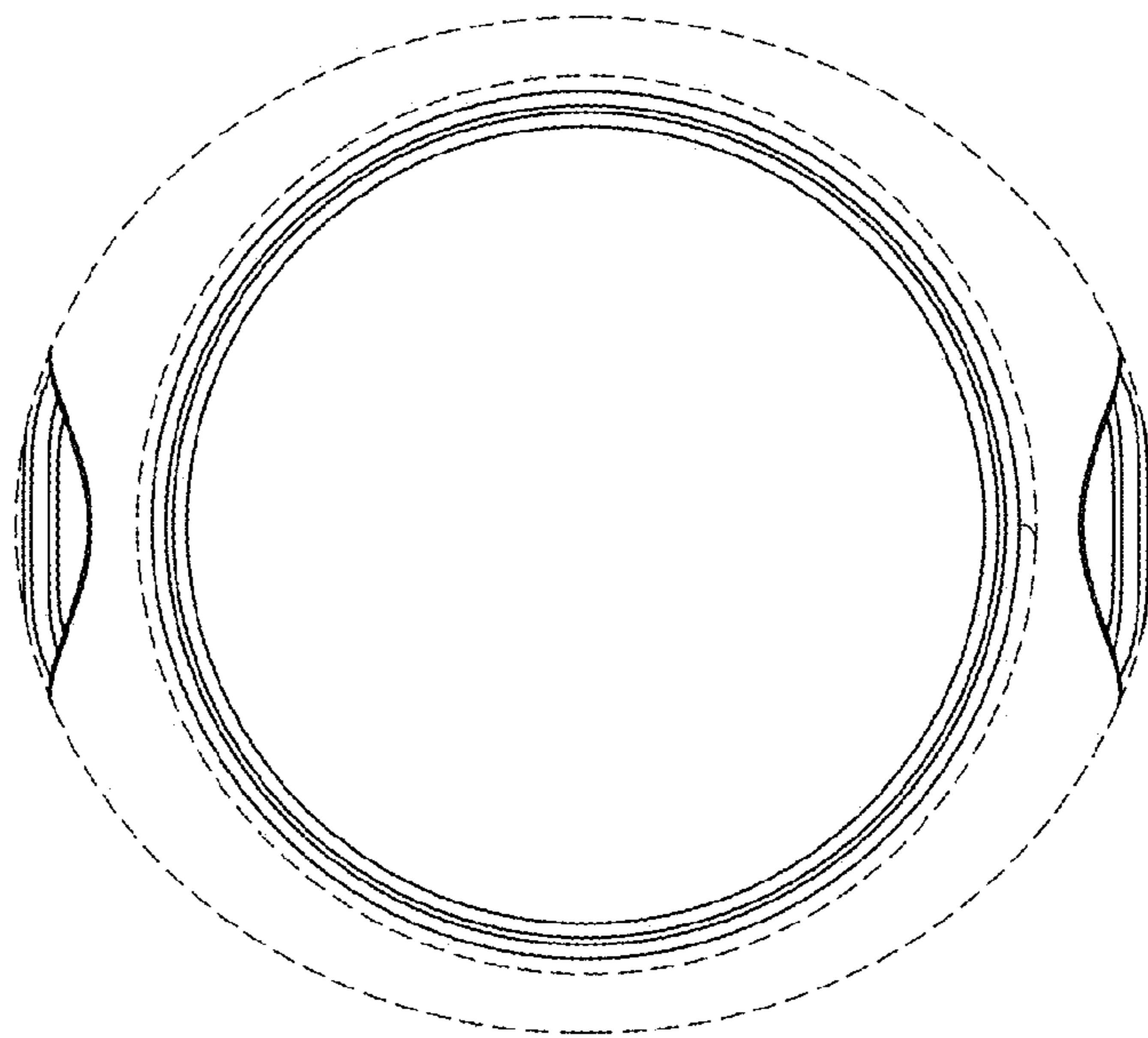


FIG. 5

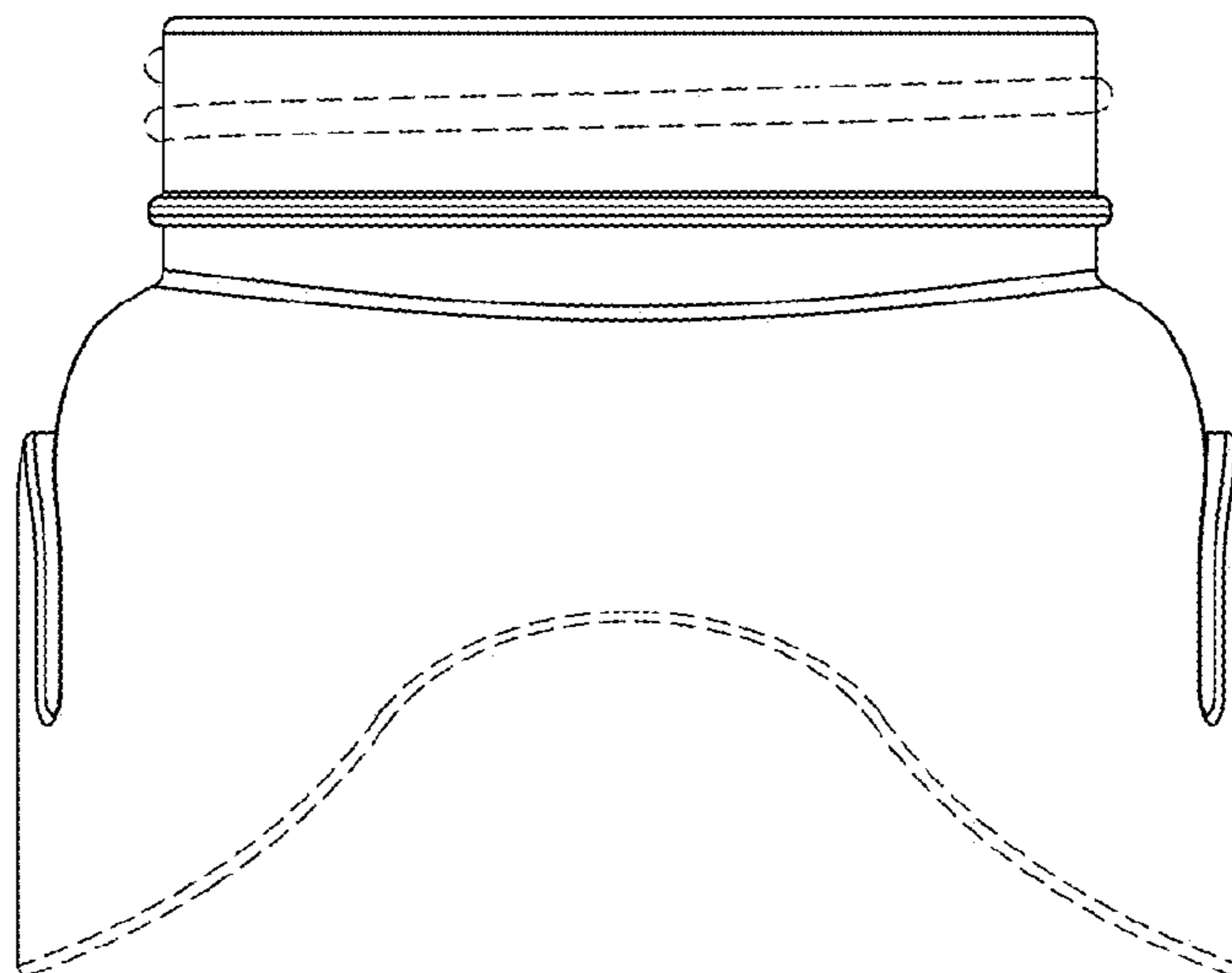


FIG. 6

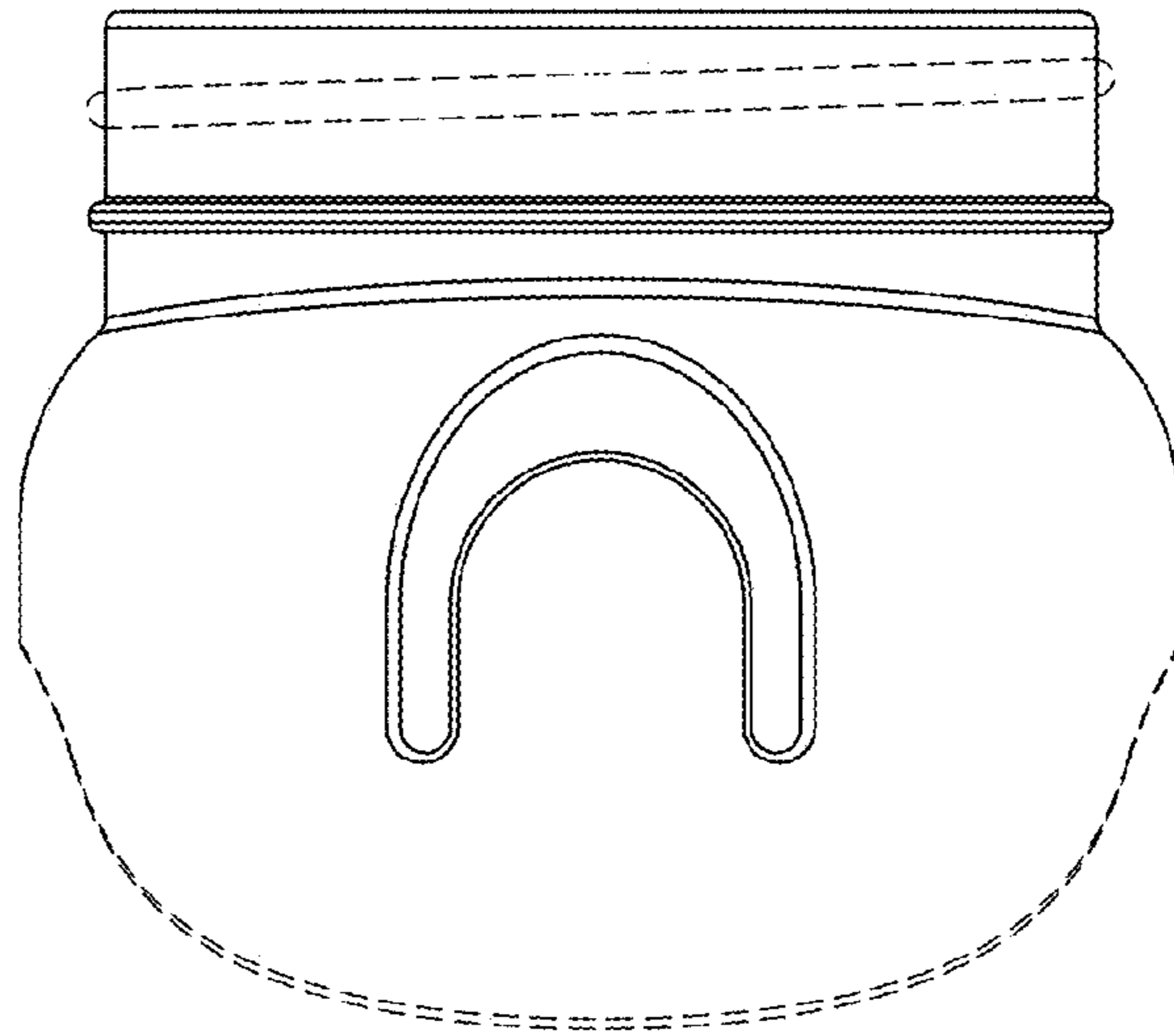


FIG. 7

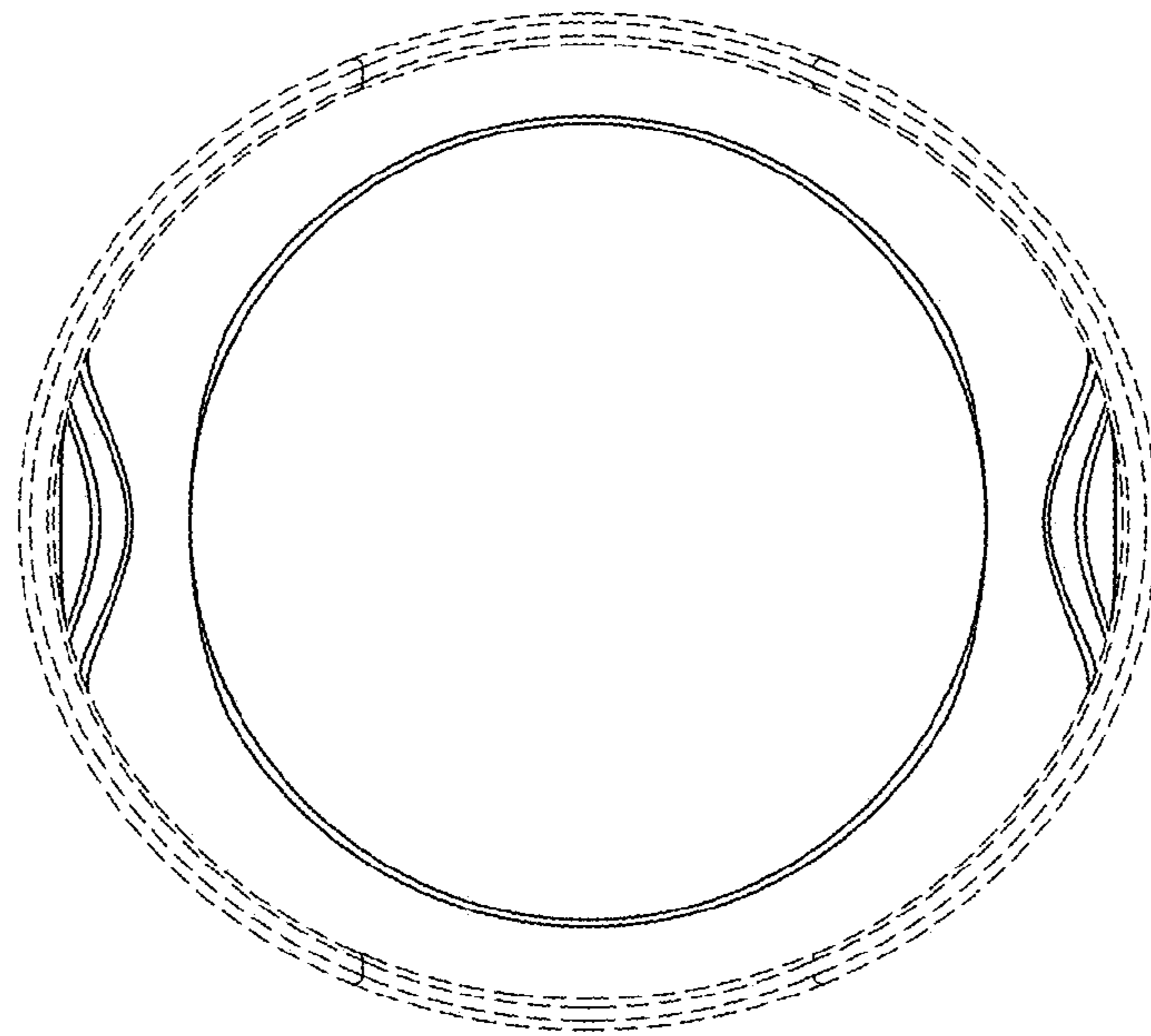


FIG. 8

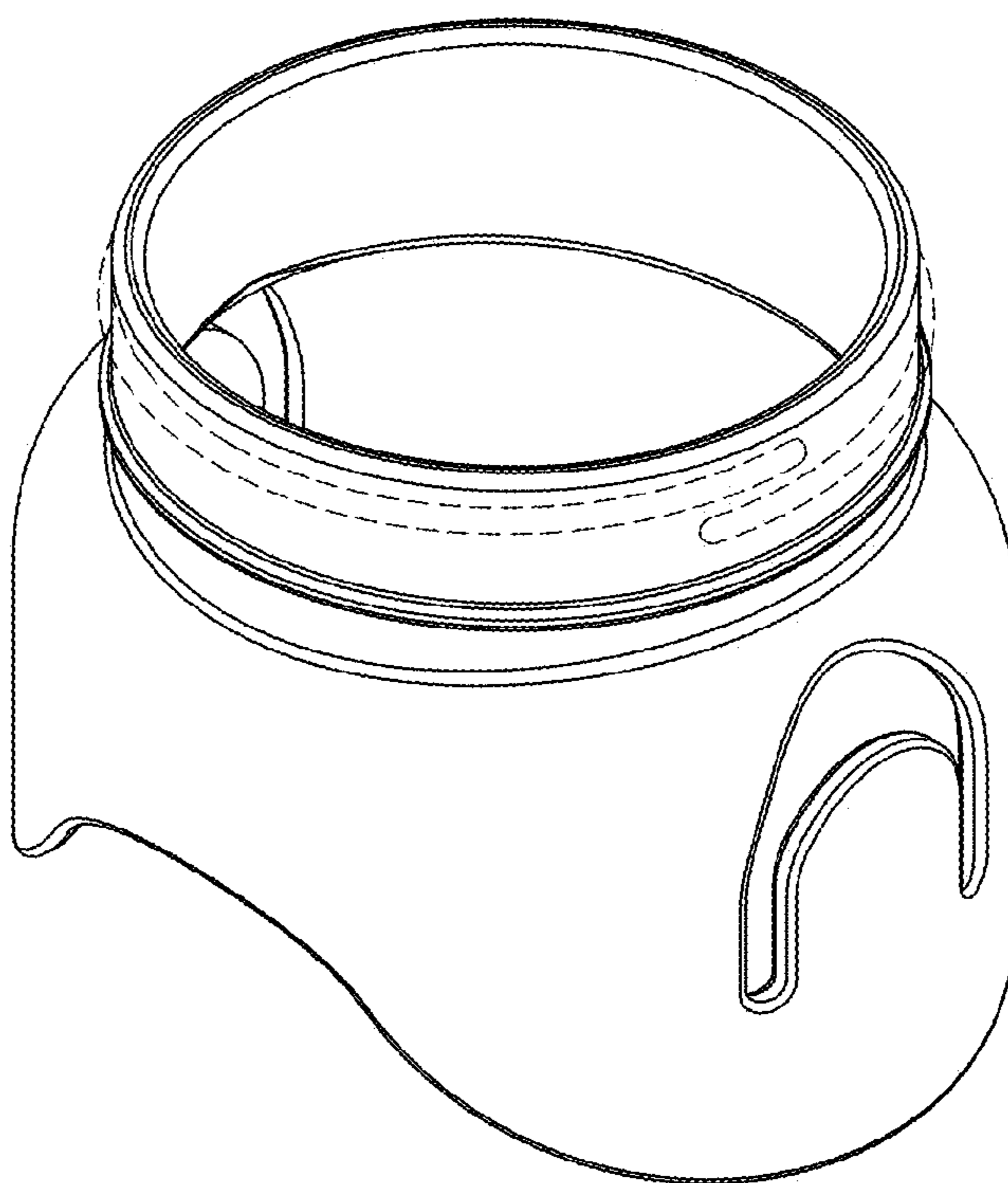


FIG. 9

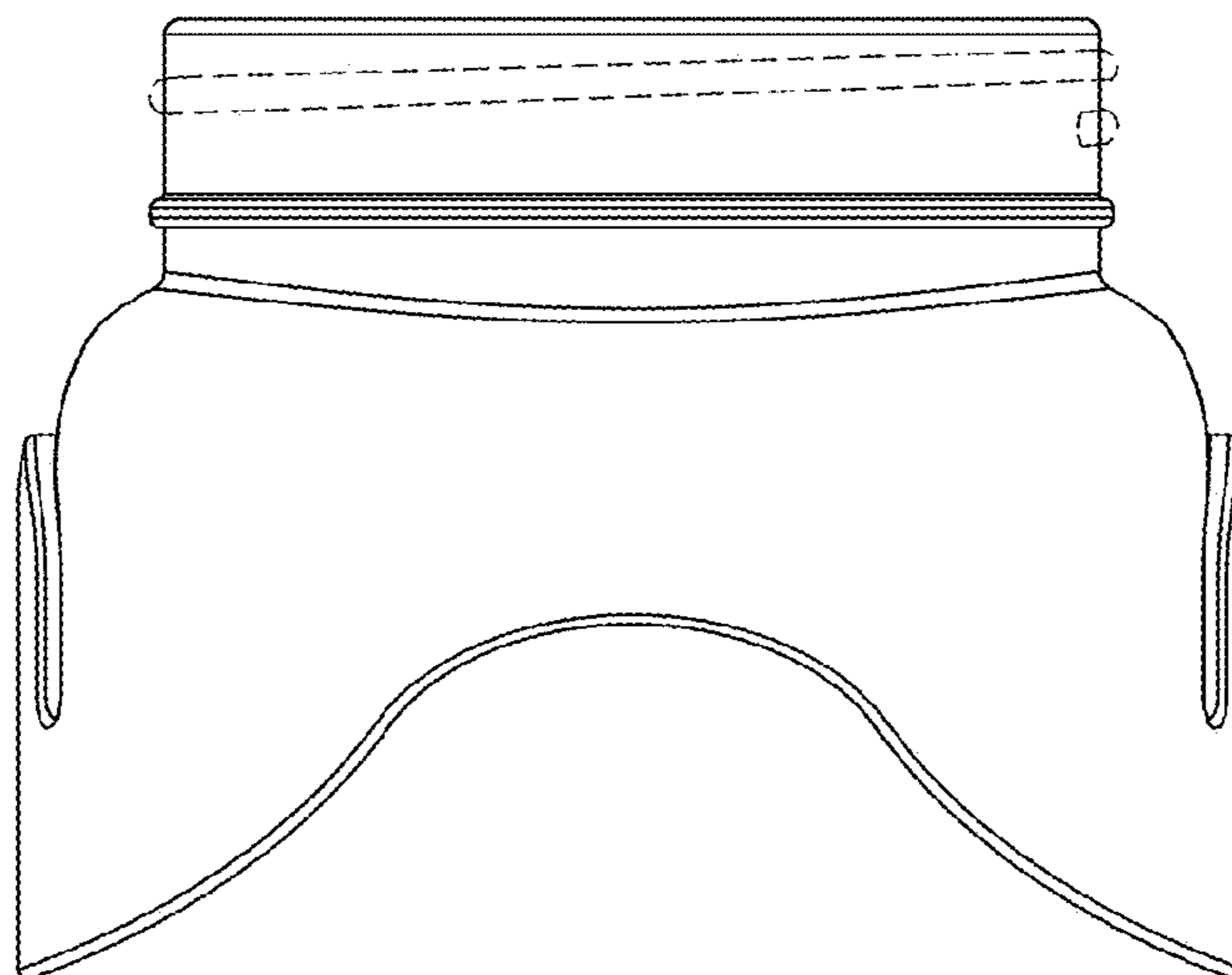


FIG. 10

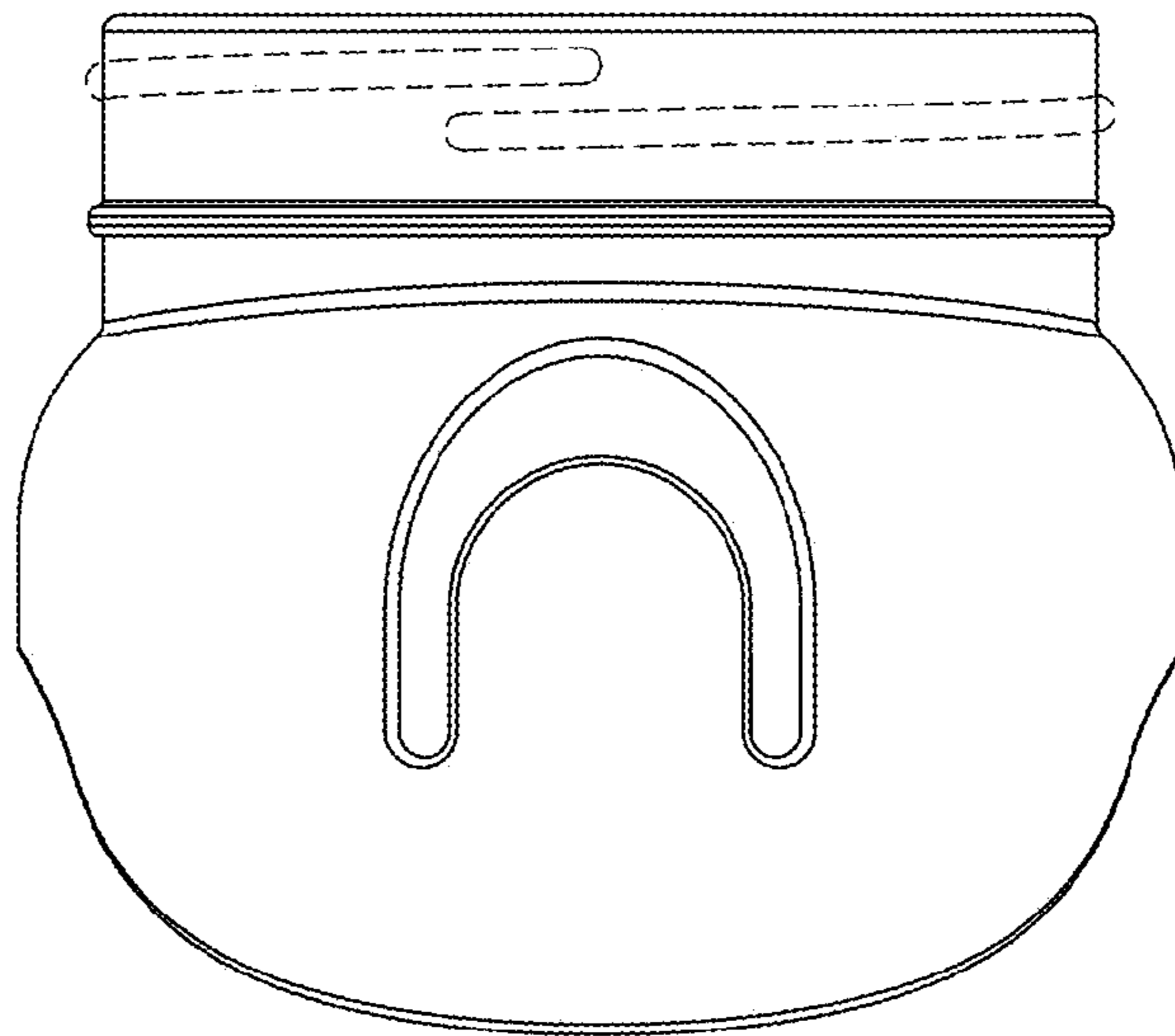


FIG. 11

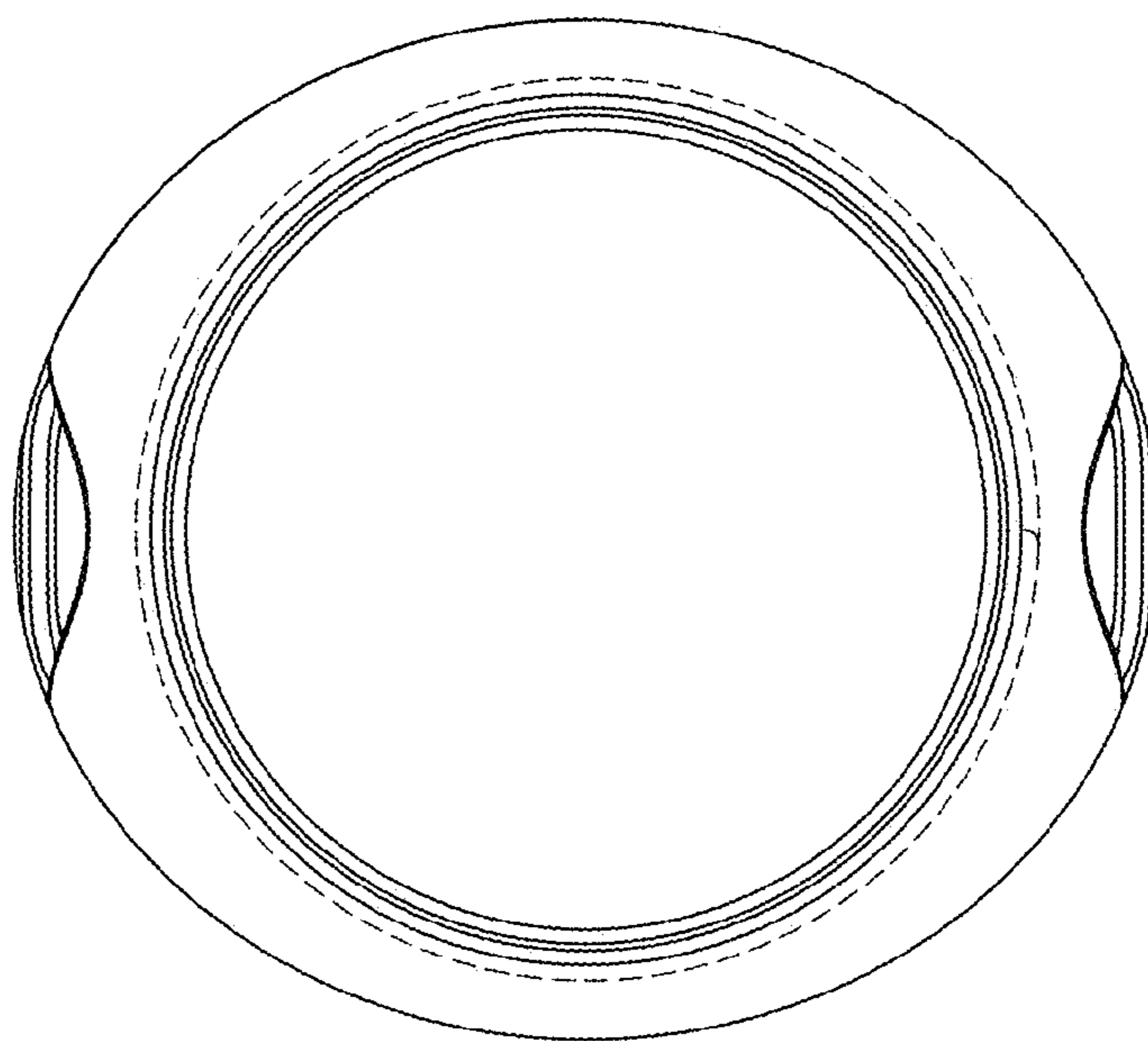


FIG. 12

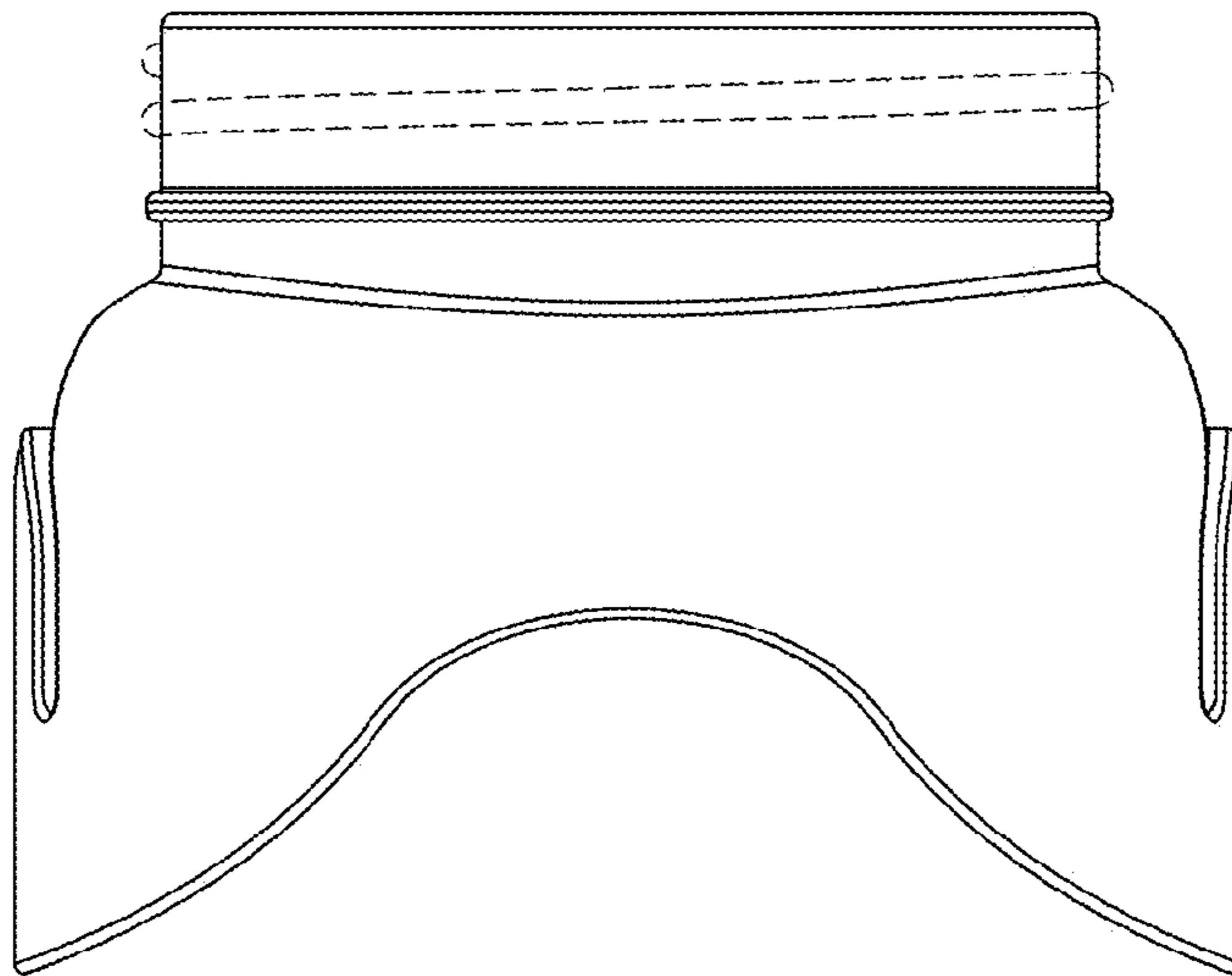


FIG. 13

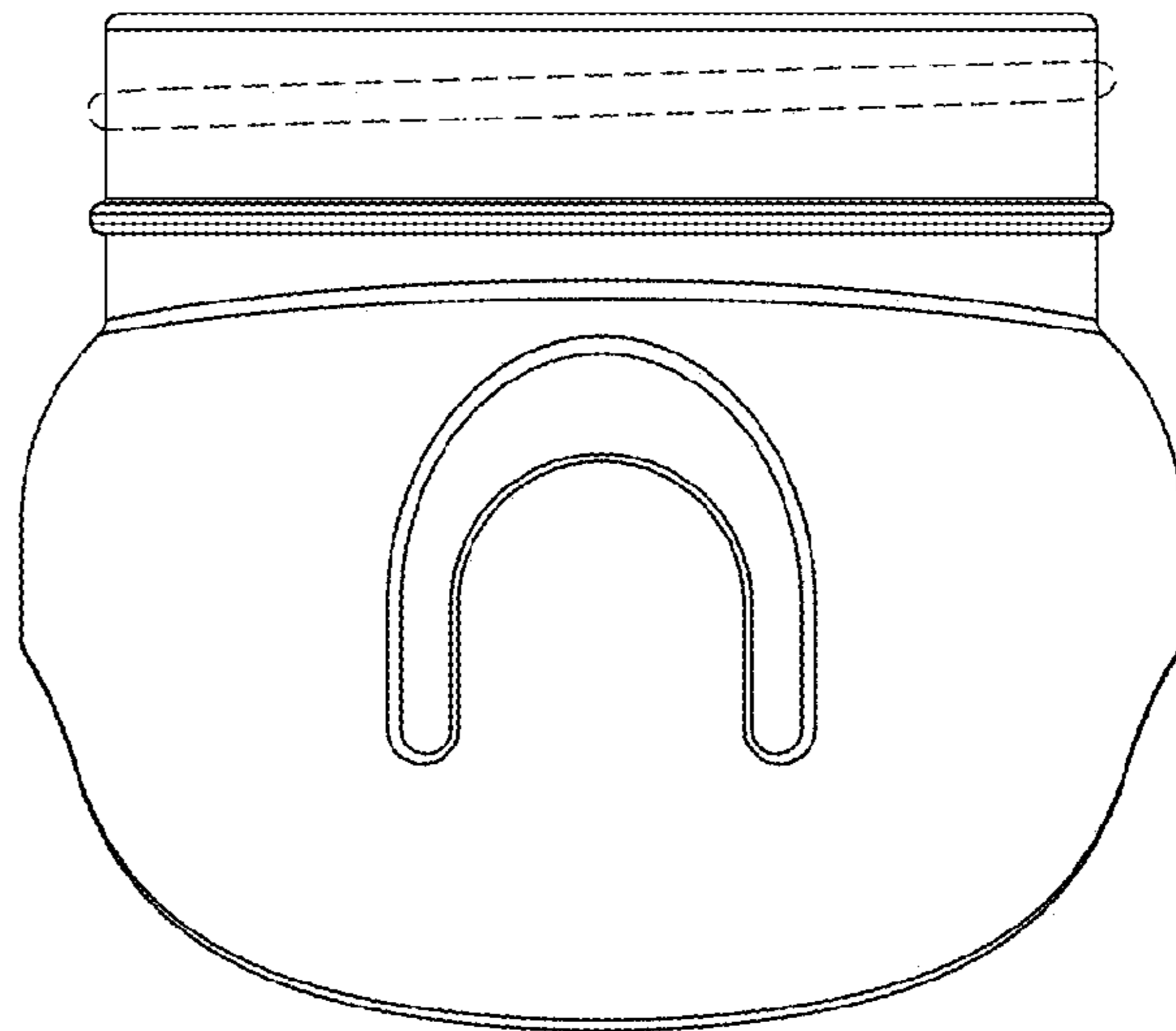


FIG. 14

