



US00D763434S

(12) **United States Design Patent**
Flickinger

(10) **Patent No.:** **US D763,434 S**

(45) **Date of Patent:** **** Aug. 9, 2016**

(54) **INTRANASAL THERAPY DELIVERY SYSTEM**

D542,910 S * 5/2007 MacRae D24/108
D557,407 S 12/2007 Lithgow et al.
D629,884 S * 12/2010 Stephens D24/108

(71) Applicant: **MEDINVENT, LLC**, Medina, OH (US)

(Continued)

(72) Inventor: **William J. Flickinger**, Medina, OH (US)

Primary Examiner — Barbara Fox
Assistant Examiner — Lilyana Bekic

(73) Assignee: **MEDINVENT, LLC**, Medina, OH (US)

(74) *Attorney, Agent, or Firm* — Colin P. Cahoon; Celina M. Orr; Carstens & Cahoon, LLC

(**) Term: **14 Years**

(57) **CLAIM**

(21) Appl. No.: **29/512,728**

The ornamental design for an intranasal therapy delivery system, as shown and described.

(22) Filed: **Dec. 22, 2014**

DESCRIPTION

(51) **LOC (10) Cl.** **24-01**

(52) **U.S. Cl.**
USPC **D24/108**

(58) **Field of Classification Search**
USPC D24/107, 108, 110, 110.5, 111, 164
CPC B05B 11/043; A61B 2017/246; A61H 35/04; A61M 15/00; A61M 15/08; A61M 3/0279; A61M 3/0262; A61M 2210/0618
See application file for complete search history.

FIG. 1 is a perspective view of an intranasal therapy delivery system showing my new design with the cap removed; FIG. 2 is a front view thereof; FIG. 3 is a back view thereof; FIG. 4 is a right side view thereof; FIG. 5 is a left side view thereof; FIG. 6 is a top view thereof; FIG. 7 is a perspective view of the intranasal therapy delivery system with the cap installed; FIG. 8 is a front view thereof; FIG. 9 is a back view thereof; FIG. 10 is a right side view thereof; FIG. 11 is a left side view thereof; and, FIG. 12 is a top view thereof.

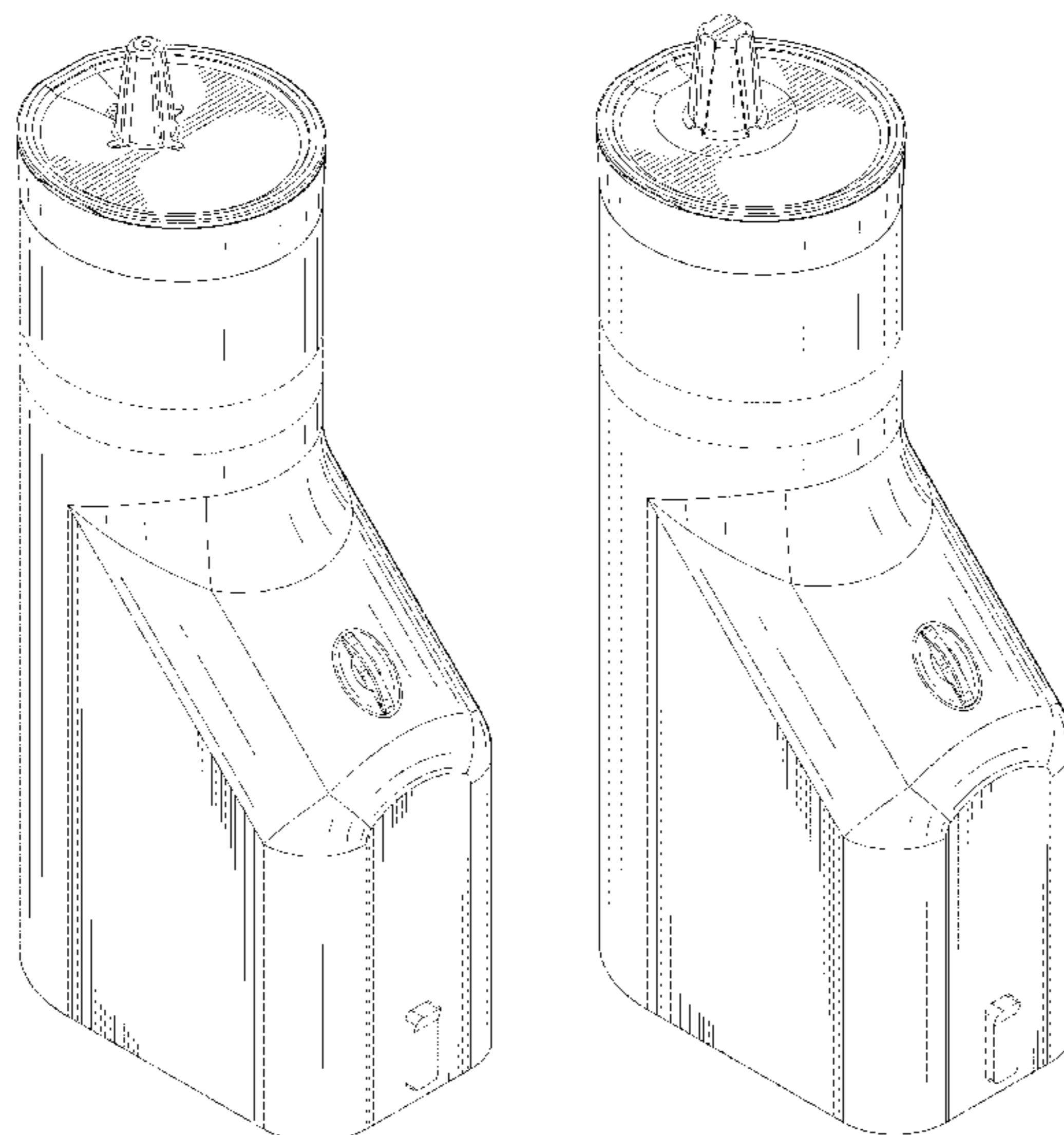
(56) **References Cited**

U.S. PATENT DOCUMENTS

2,485,184	A	10/1949	Blackman	
2,583,821	A	1/1952	DuBois	
4,093,124	A	6/1978	Morane et al.	
D295,787	S *	5/1988	Hegemann	D24/110
5,224,471	A	7/1993	Marelli et al.	
5,579,757	A	12/1996	McMahon et al.	
5,653,223	A	8/1997	Pruitt	
5,806,723	A	9/1998	DuBose	
5,906,198	A	5/1999	Flickinger	
6,135,358	A	10/2000	Ballini	
D438,612	S *	3/2001	Suh	D24/108
6,619,284	B2	9/2003	Kong	
6,644,305	B2	11/2003	MacRae et al.	
6,698,421	B2	3/2004	Attolini	
6,701,916	B2	3/2004	Mezzoli	
6,732,731	B1	5/2004	Tseng	

The broken lines around the circumference of the neck or upper portion of the irrigator in FIGS. 1-5 and 7-11 which define the bounds of the claimed design form no part thereof. The broken line showing of a power jack cover at the bottom of FIGS. 1, 2, 4-8 and 10-12 and the broken line showing of a release button, alignment indicator, switch, and battery icon at the top of FIGS. 3 and 10 are all for the purpose of illustrating portions of the article and form no part of the claimed design. Bottom views are omitted as they are flat and devoid of surface ornamentation.

1 Claim, 10 Drawing Sheets



(56)

References Cited

U.S. PATENT DOCUMENTS

D641,764 S	7/2011	Lipscomb et al.	2011/0040250 A1	2/2011	Abate	
D670,373 S *	11/2012	Taylor D24/108	2011/0144588 A1 *	6/2011	Taylor	A61M 3/0258 604/151
D689,185 S	9/2013	Flickinger et al.	2011/0303218 A1	12/2011	Yadidi	
D694,398 S *	11/2013	Taylor D24/108	2012/0152238 A1 *	6/2012	Flickinger	A61M 3/025 128/200.21
D704,825 S	5/2014	Flickinger	2012/0160237 A1 *	6/2012	Flickinger	A61M 3/025 128/200.23
D739,930 S *	9/2015	Takenouchi 604/118	2013/0112716 A1 *	5/2013	Law	A61M 11/00 222/256
2004/0031485 A1	2/2004	Rustad et al.	2014/0283820 A1 *	9/2014	Flickinger	A61M 11/06 128/200.21
2006/0283445 A1 *	12/2006	Ishizeki A61M 11/02 128/200.23	2015/0126927 A1 *	5/2015	Flickinger	A61M 11/06 604/147
2008/0054099 A1	3/2008	Giroux et al.				
2009/0054833 A1 *	2/2009	O'hare A61M 3/0258 604/73				

* cited by examiner

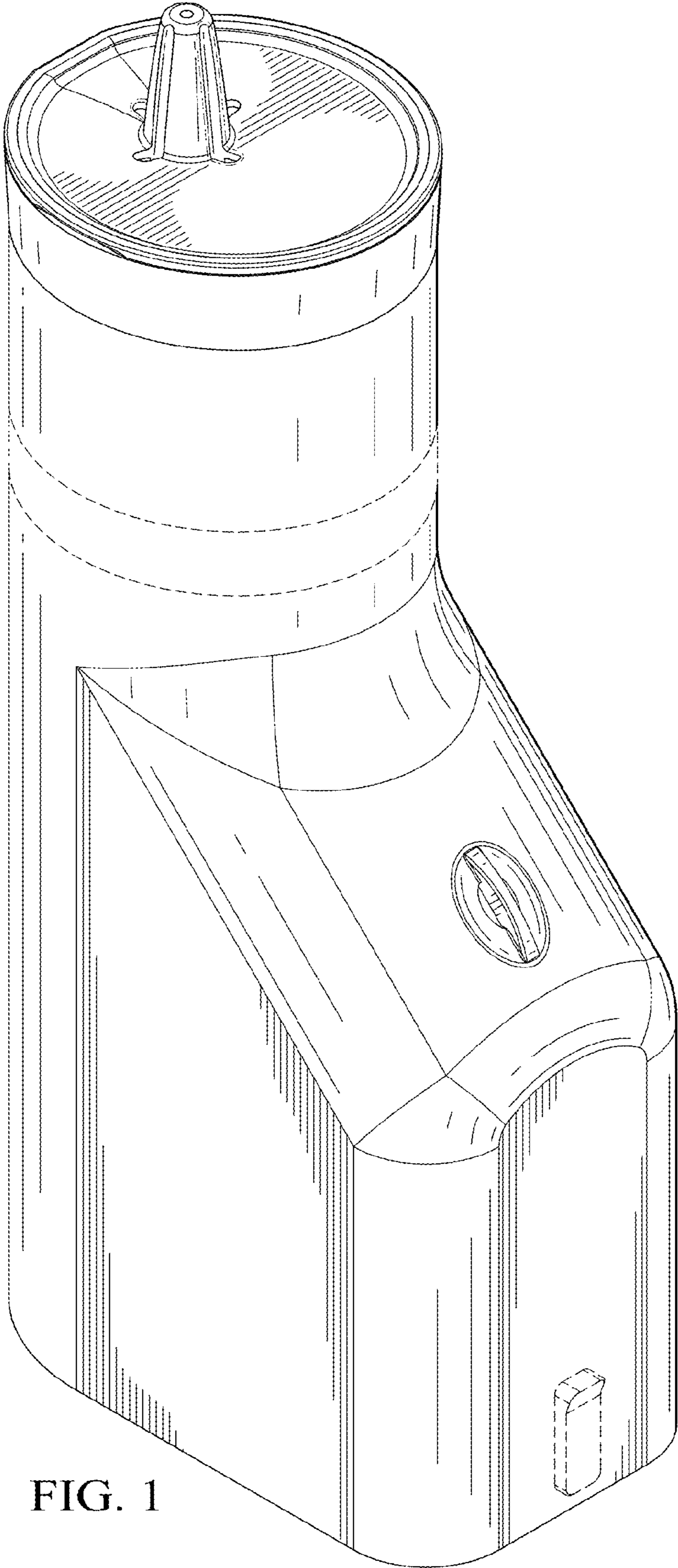


FIG. 1

FIG. 2

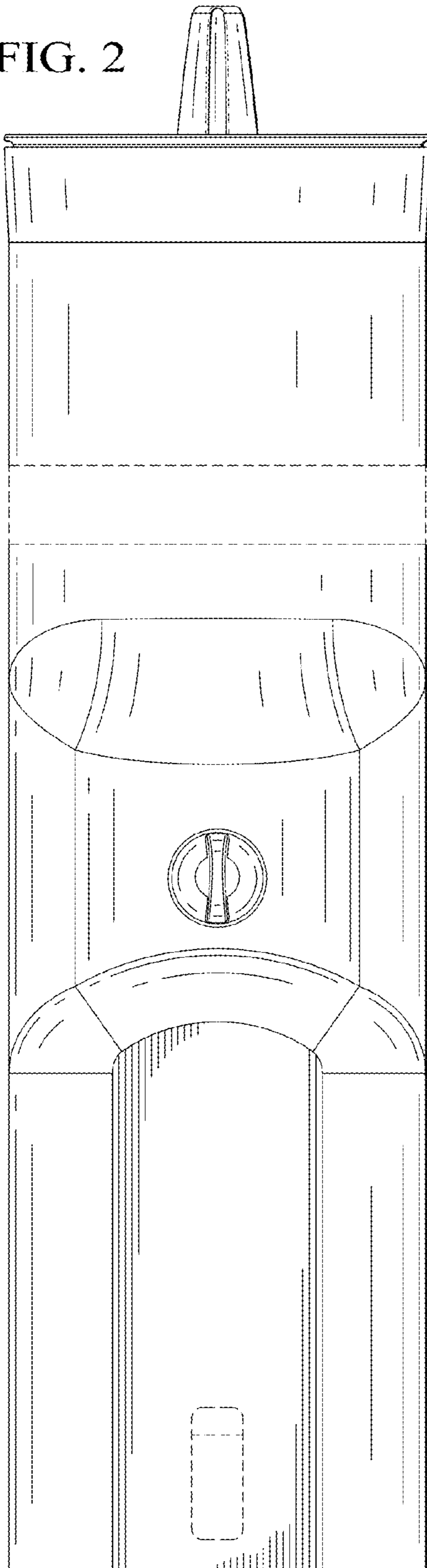
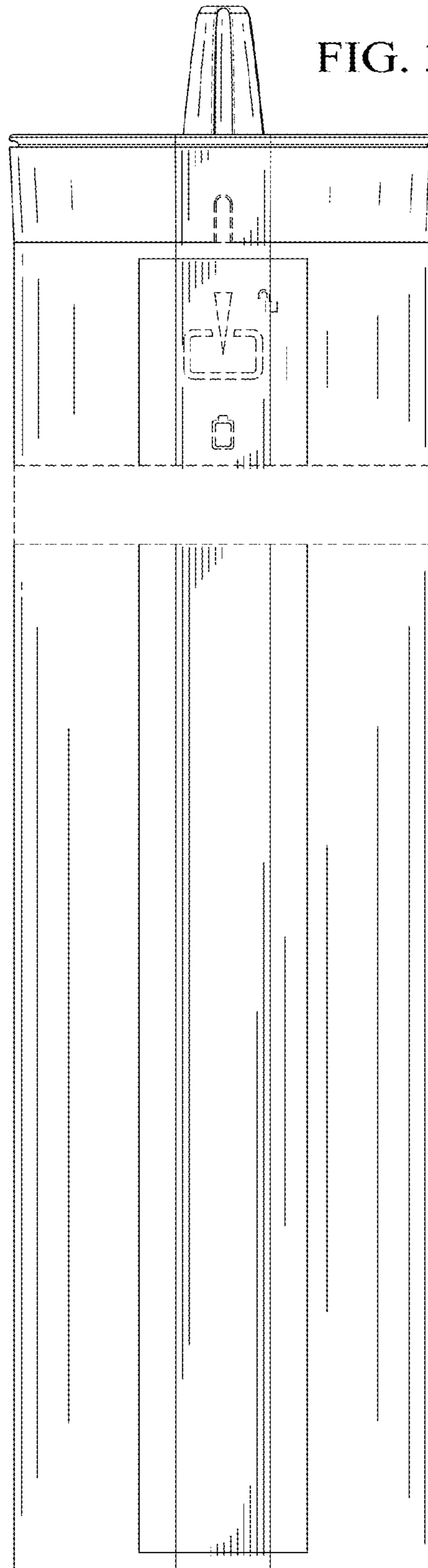


FIG. 3



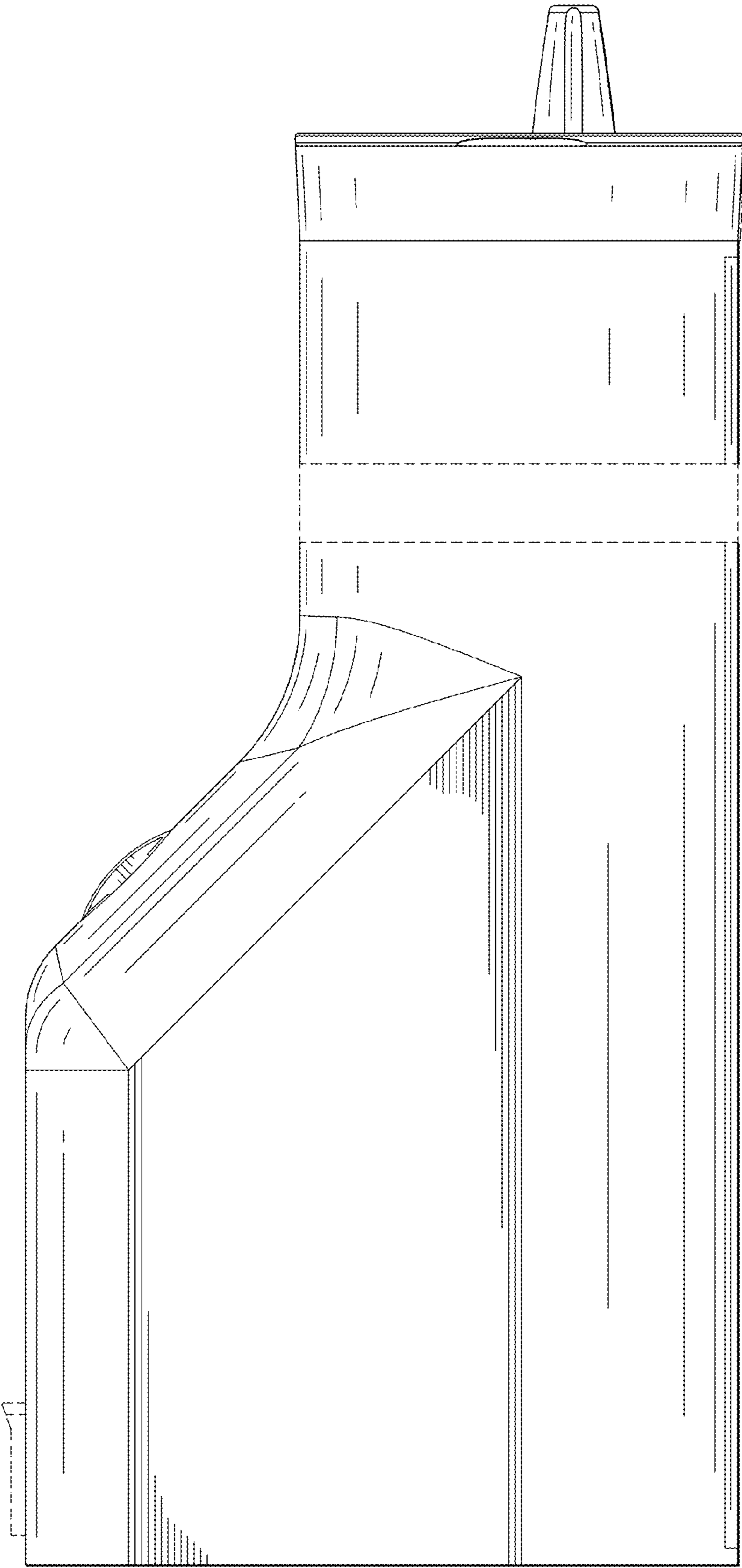


FIG. 4

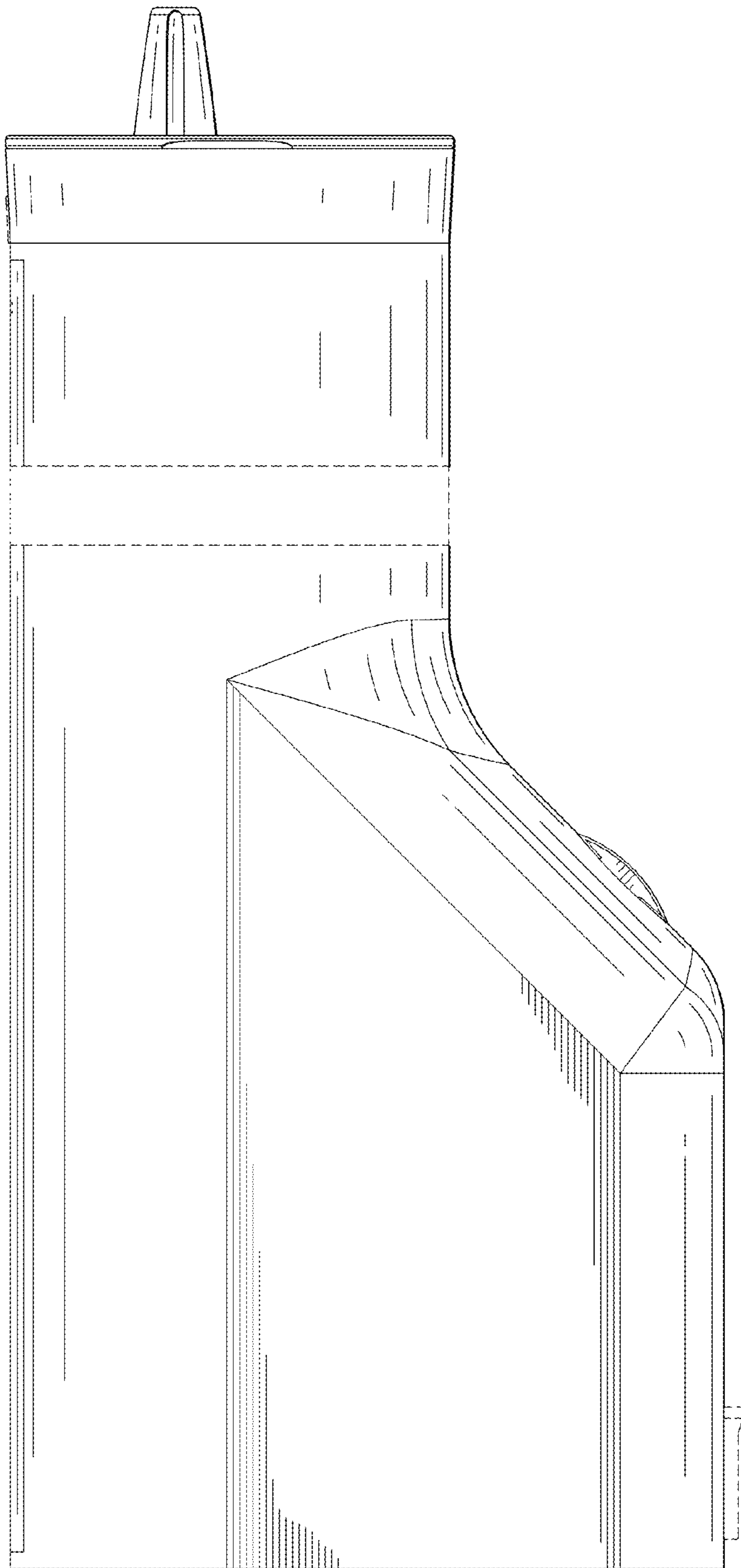


FIG. 5

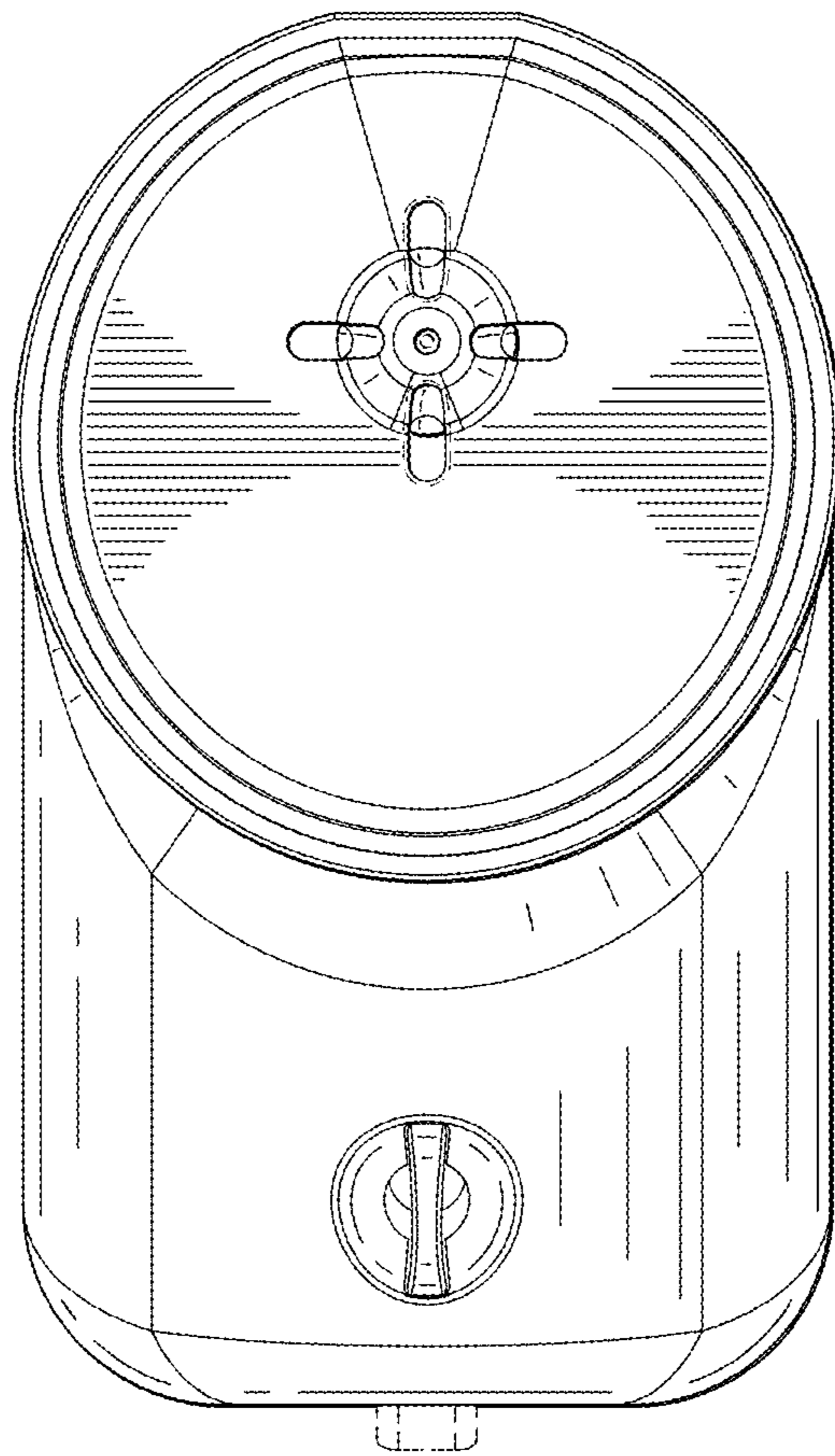


FIG. 6

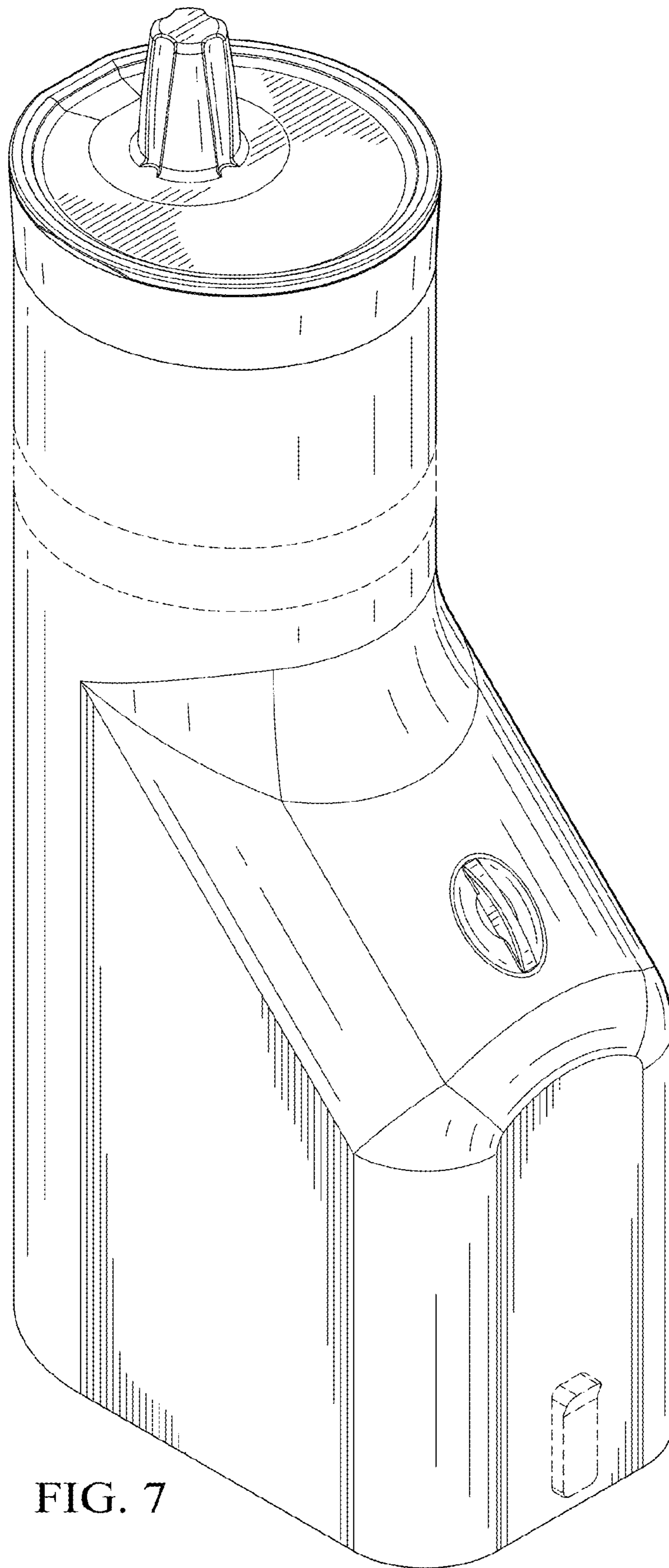


FIG. 7

FIG. 8

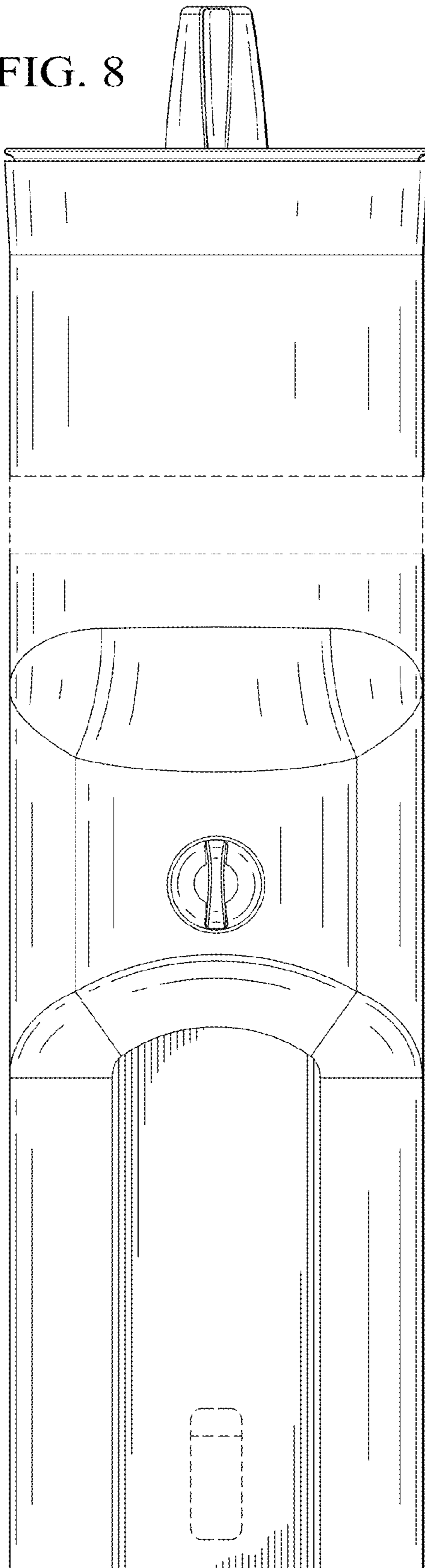
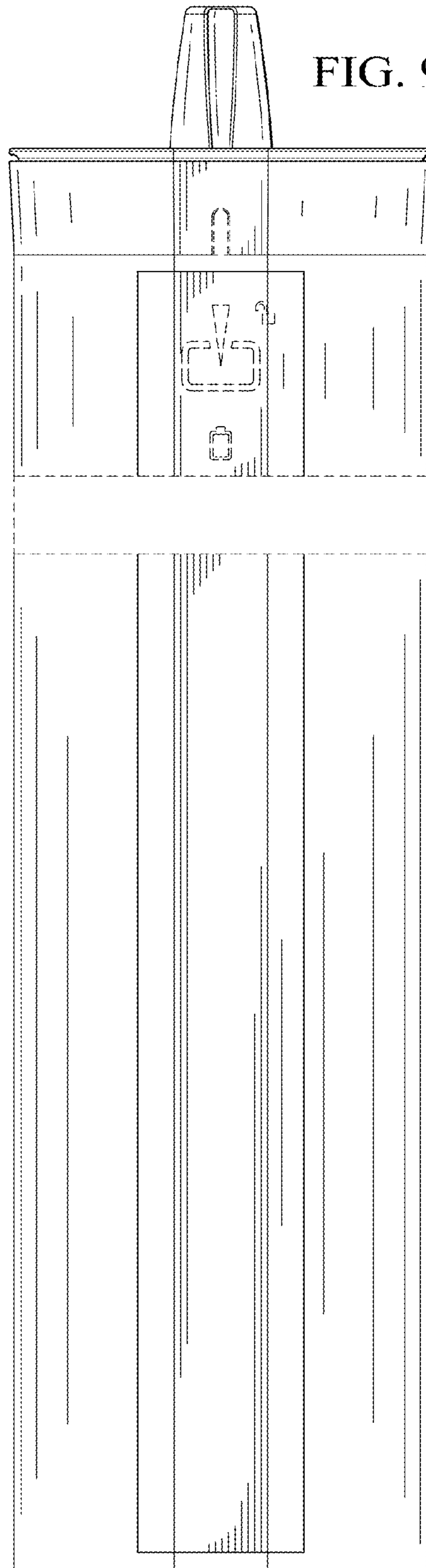


FIG. 9



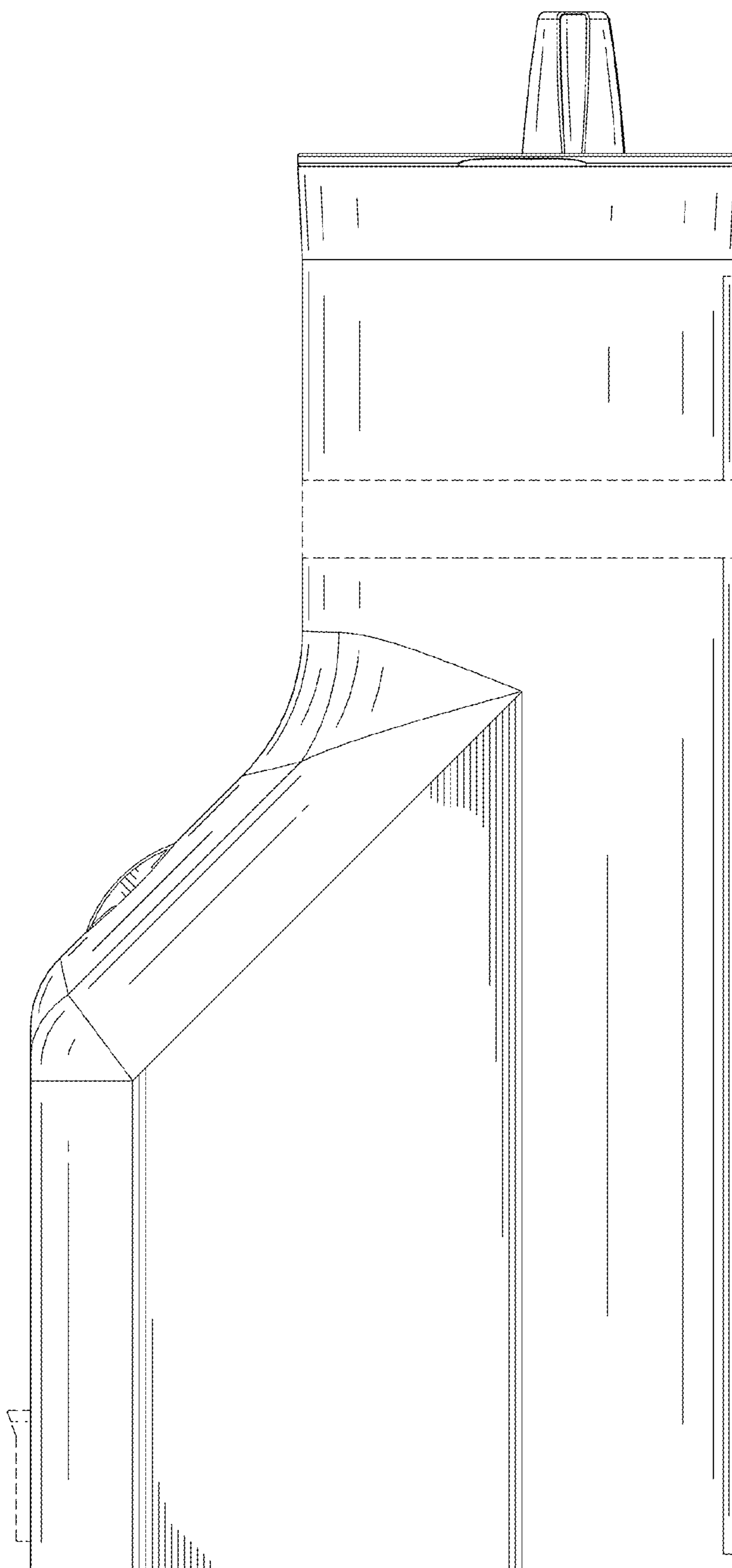


FIG. 10

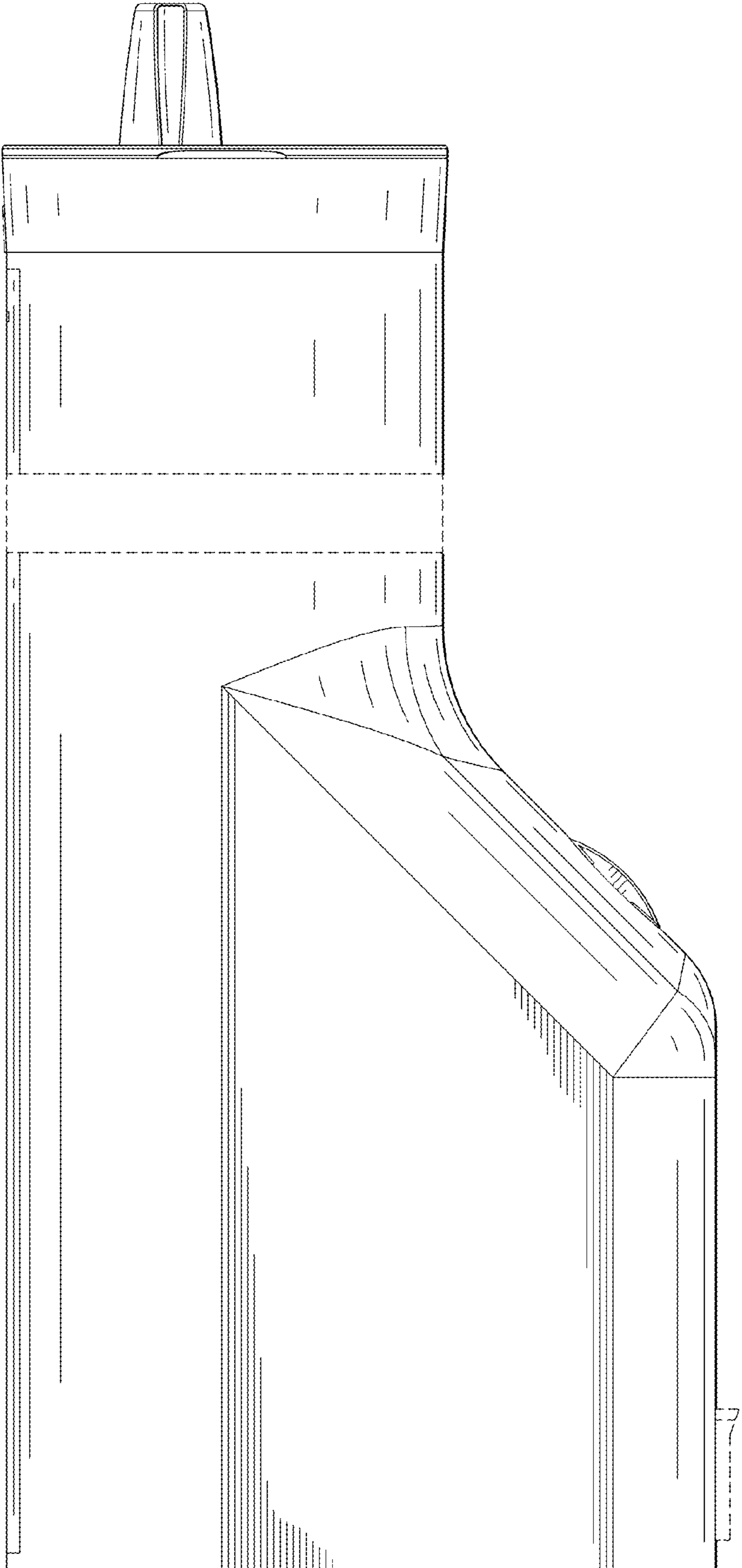


FIG. 11

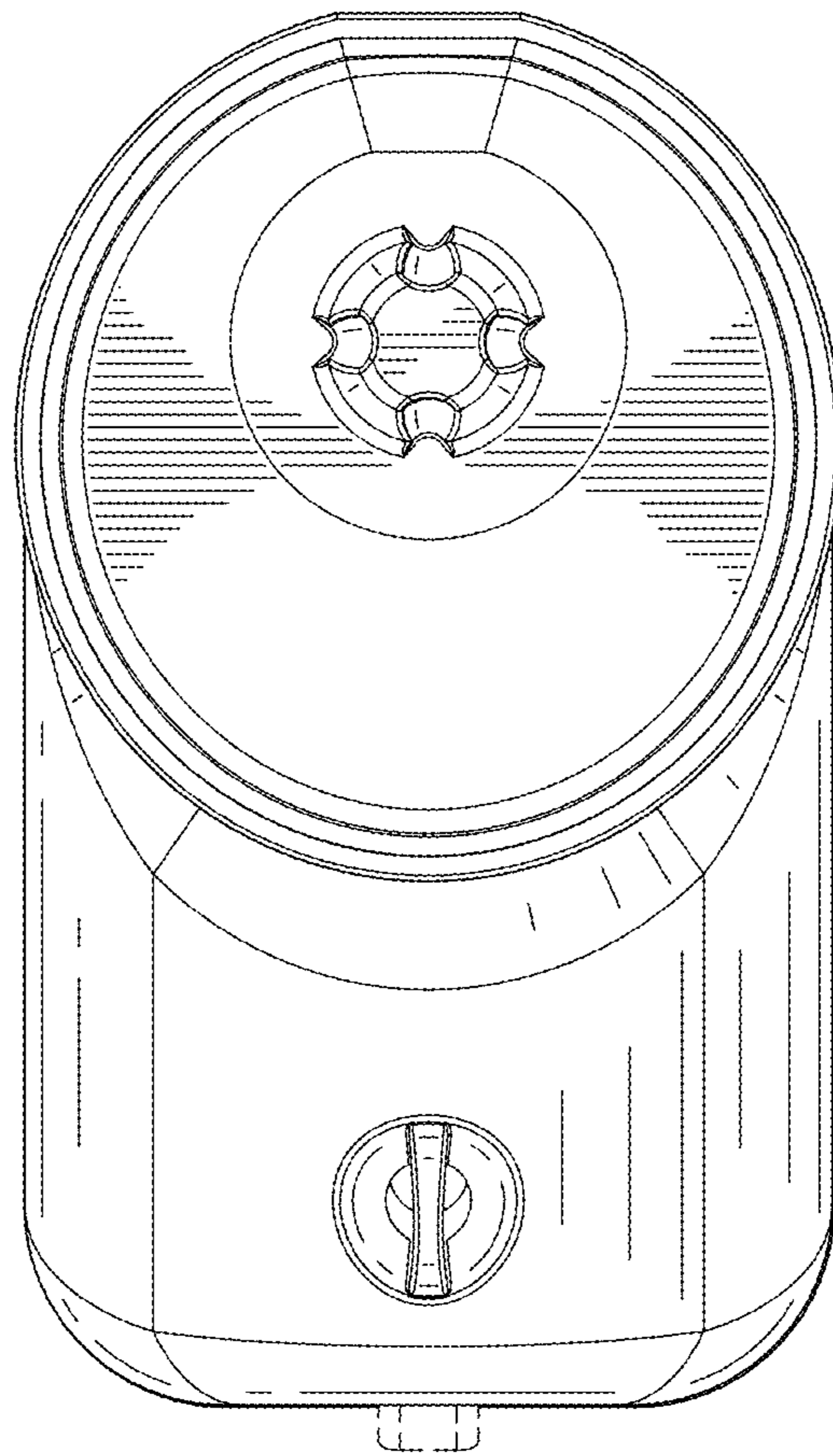


FIG. 12