



US00D763430S

(12) **United States Design Patent**
Shin

(10) **Patent No.:** **US D763,430 S**

(45) **Date of Patent:** **** Aug. 9, 2016**

(54) **CHEMICAL DIFFUSING APPARATUS**

(56) **References Cited**

(71) Applicant: **Henkel AG & Co. KGaA**, Duesseldorf (DE)

U.S. PATENT DOCUMENTS

(72) Inventor: **Changwoo Shin**, Kyung-gi-do (KR)

D335,530 S *	5/1993	Schimanski	D23/366
D462,755 S *	9/2002	Basaganas Millan	D23/366
D489,123 S *	4/2004	Basaganas Millan	D23/366
D516,691 S *	3/2006	Caserta	D23/366
D605,277 S *	12/2009	Rossi	D23/366
D612,472 S *	3/2010	Rossi	D23/366
D712,532 S *	9/2014	Adair	D23/366

(73) Assignee: **Henkel AG & Co. KGaA**, Duesseldorf (DE)

(**) Term: **15 Years**

* cited by examiner

(21) Appl. No.: **29/535,848**

Primary Examiner — Sandra Snapp

(22) Filed: **Aug. 11, 2015**

(74) *Attorney, Agent, or Firm* — P. Scott Smith

(30) **Foreign Application Priority Data**

(57) **CLAIM**

The ornamental design for a chemical diffusing apparatus, as shown and described.

Feb. 18, 2015 (EM) 002636100

(51) **LOC (10) Cl.** **28-99**

DESCRIPTION

(52) **U.S. Cl.**
USPC **D23/368**

(58) **Field of Classification Search**
USPC D23/355–369; D28/5, 6; 261/DIG. 17, 261/DIG. 42, DIG. 47, DIG. 55, DIG. 65, 261/DIG. 70, DIG. 88, DIG. 89; 392/386, 392/389, 394, 395, 403; 239/34, 44, 45, 53, 239/56

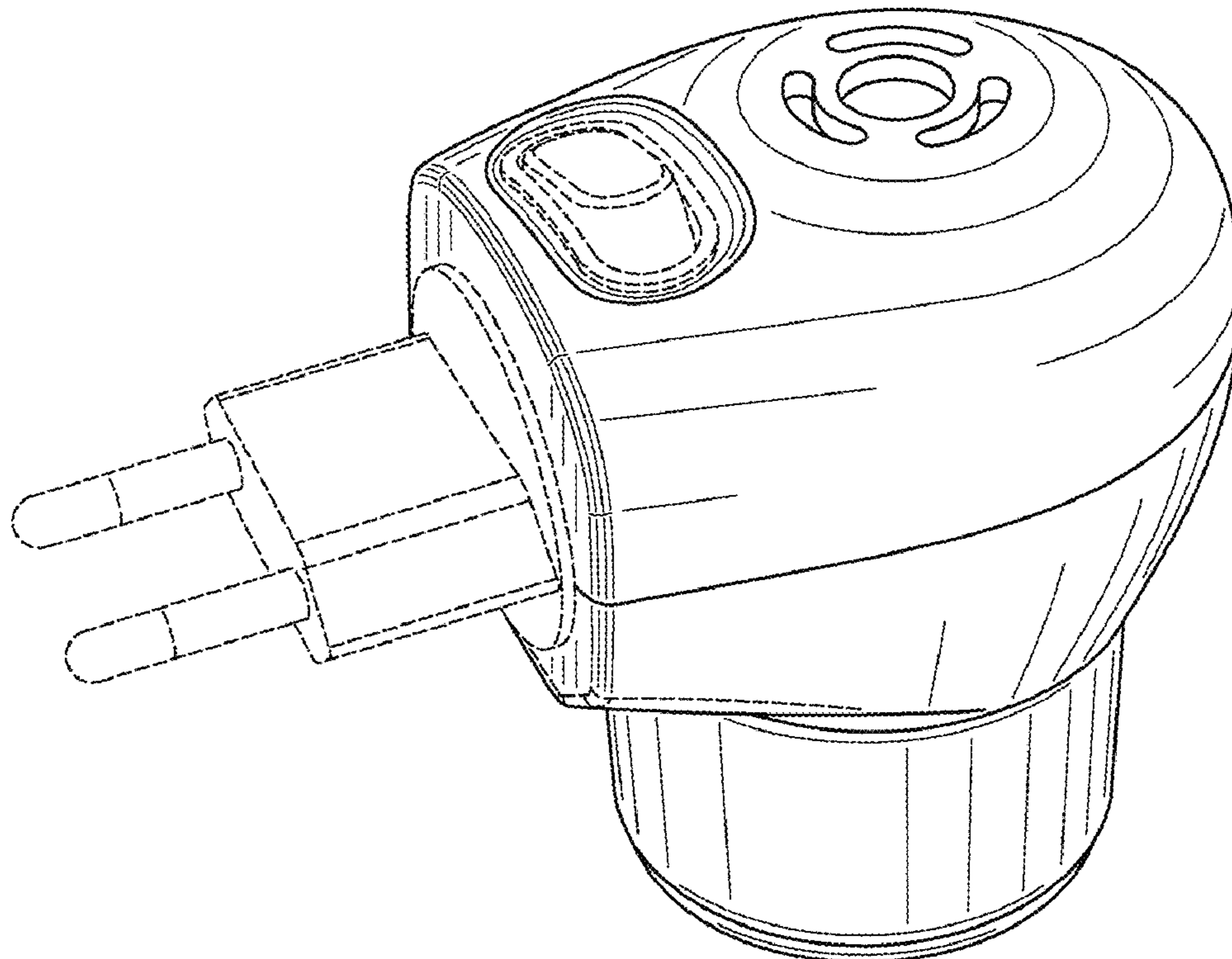
FIG. 1 is a front perspective view of a chemical diffusing apparatus embodying our new design; FIG. 2 is a rear side elevation view thereof; FIG. 3 is a front side elevation view thereof; FIG. 4 is a left side elevation view thereof; FIG. 5 is a right side elevation view thereof; FIG. 6 is a top plan view thereof; and, FIG. 7 is a bottom plan view thereof.

CPC A61L 9/02; A61L 9/03; A61L 9/034; A61L 9/04; A61L 9/12; A61L 9/032; A61L 9/122; A61L 9/127; A61L 9/22

The broken lines shown in the drawings are for illustrative purposes only and form no part of the claimed design.

See application file for complete search history.

1 Claim, 4 Drawing Sheets



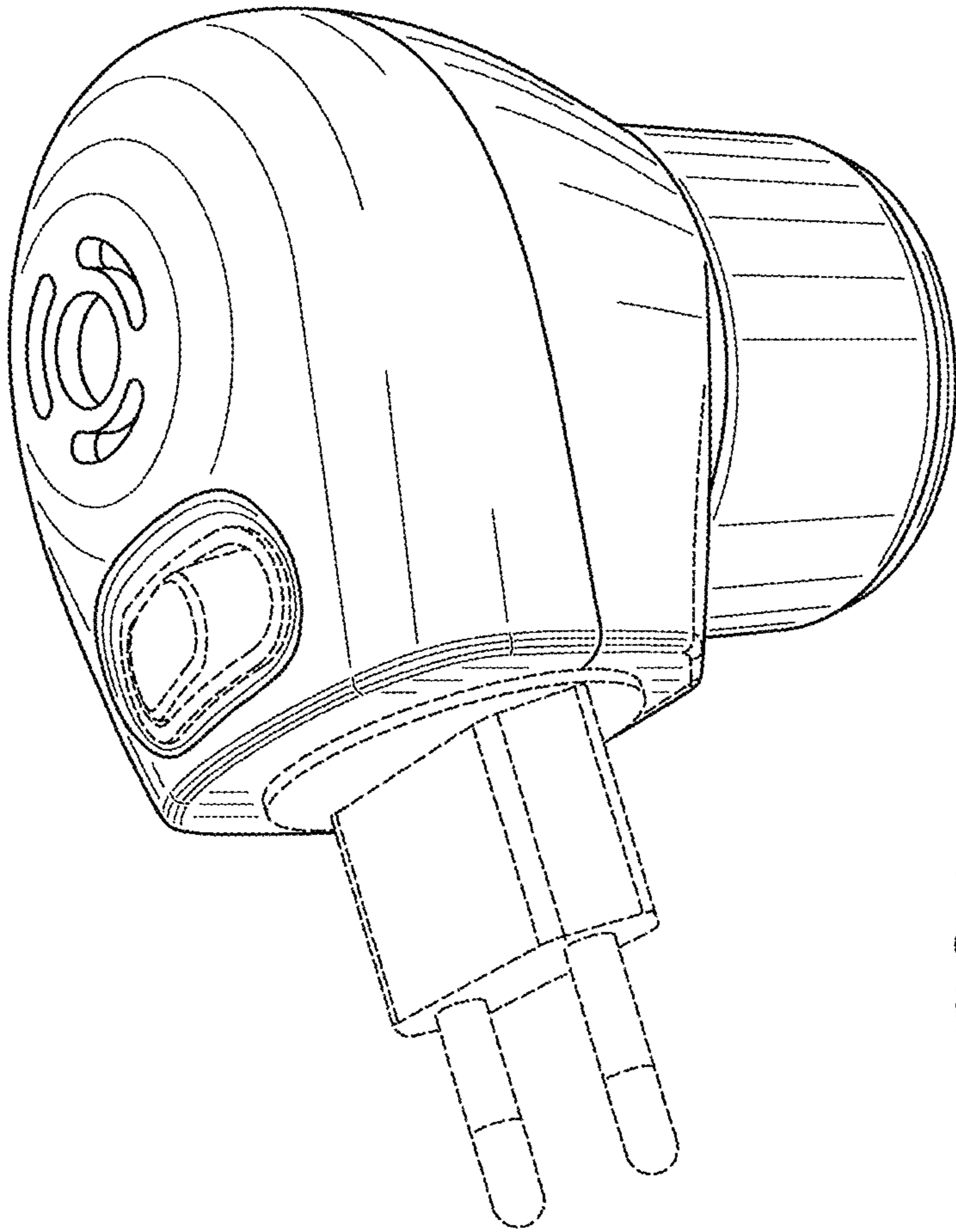


FIG. 1

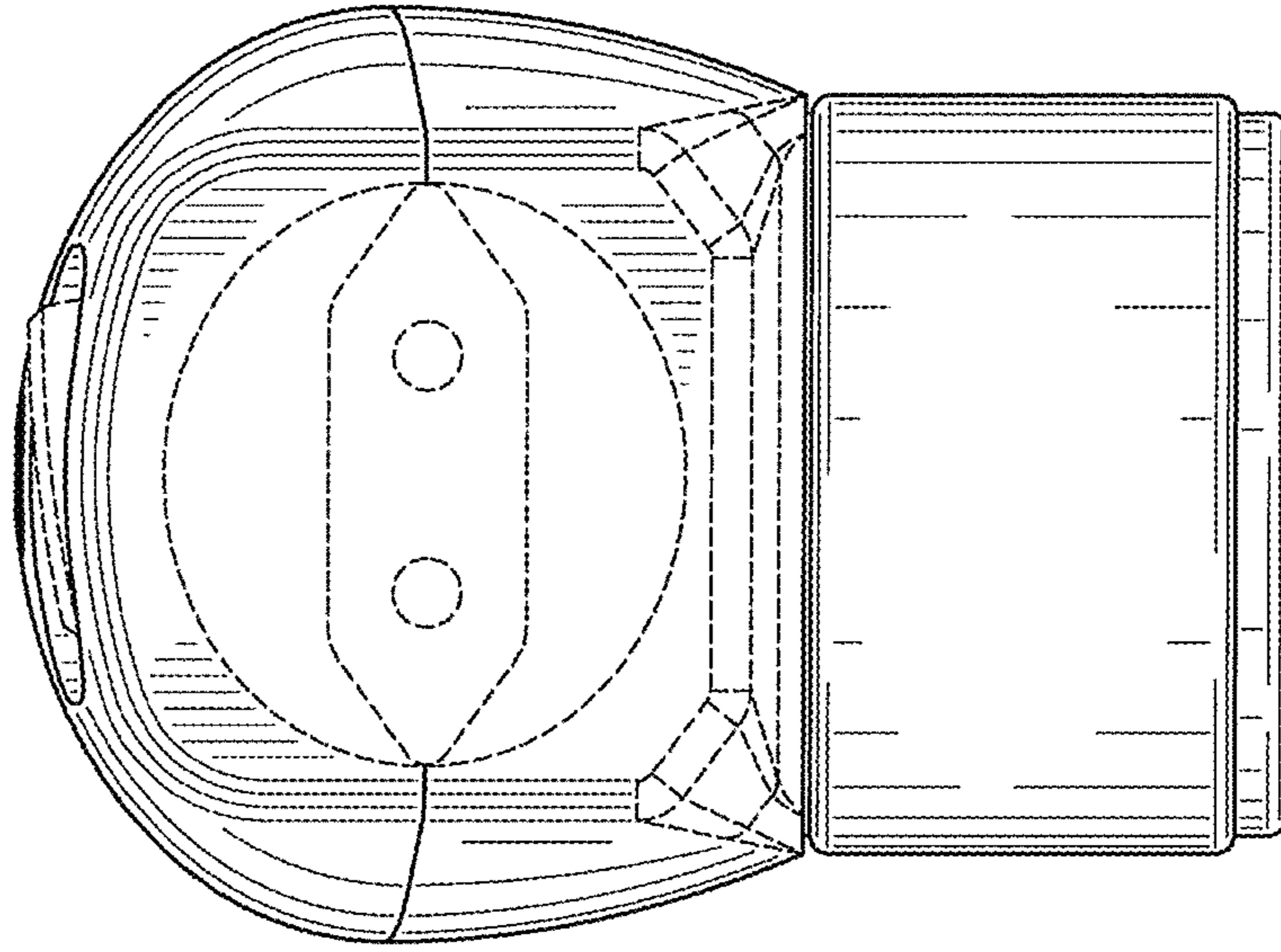


FIG. 3

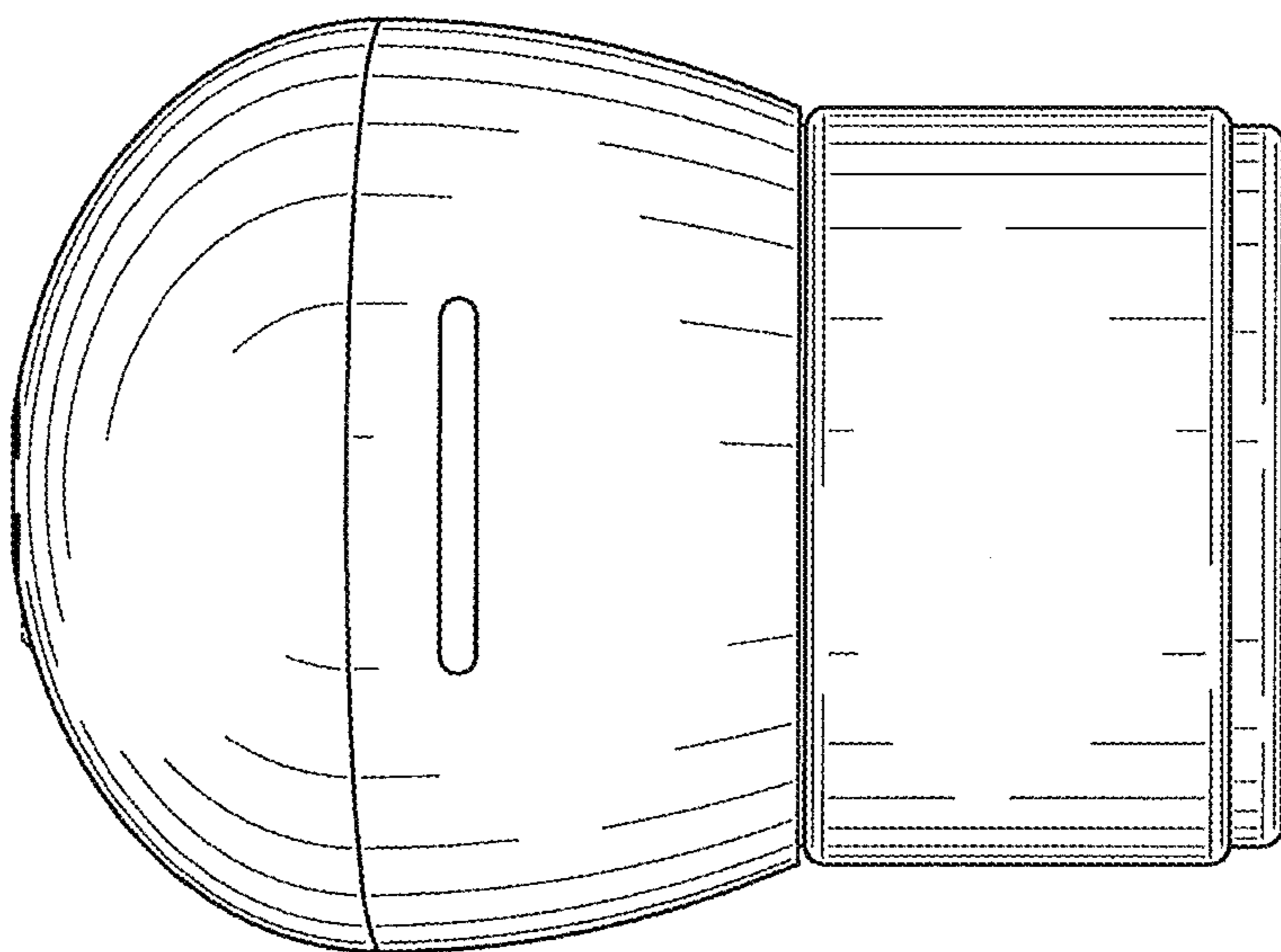
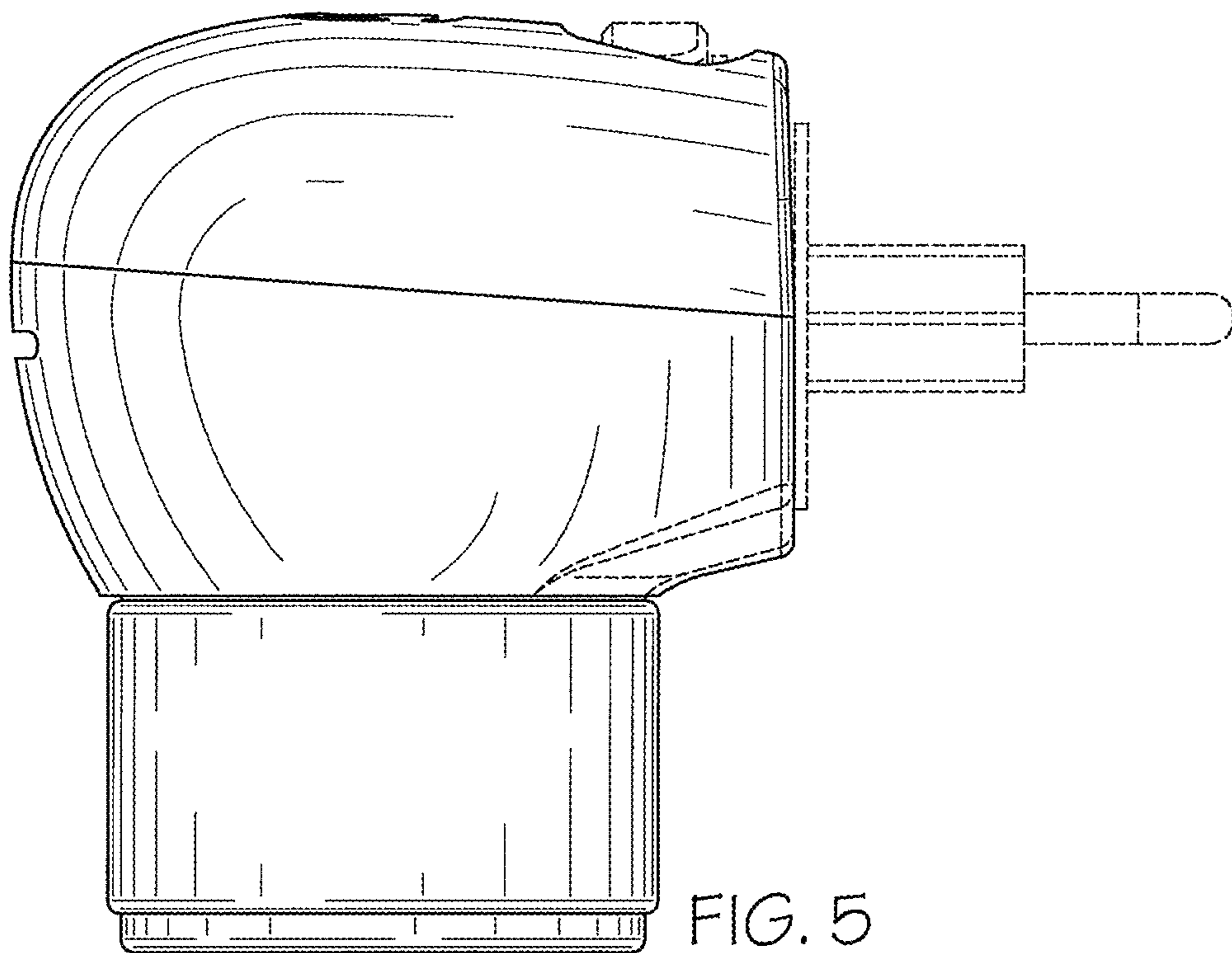
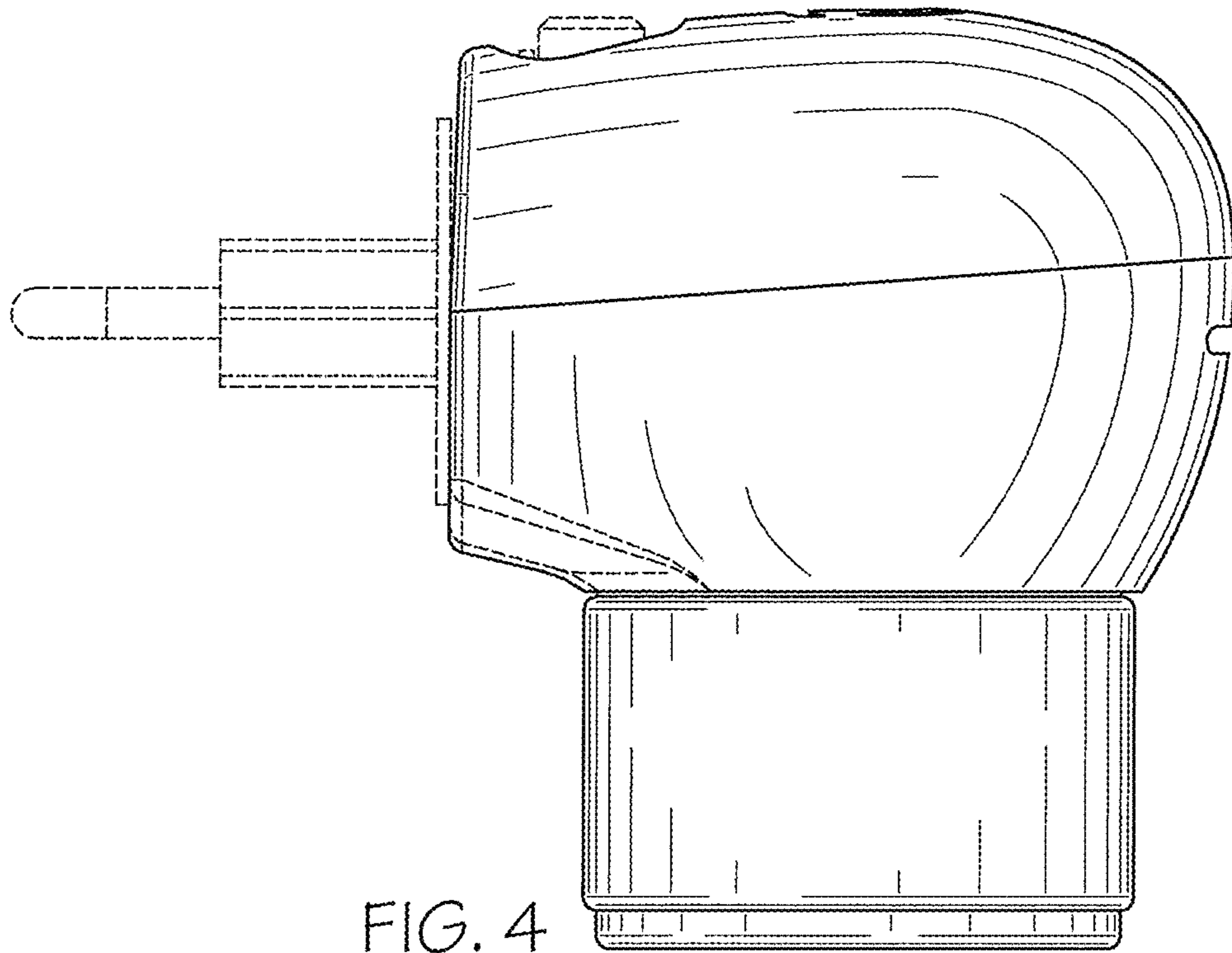


FIG. 2



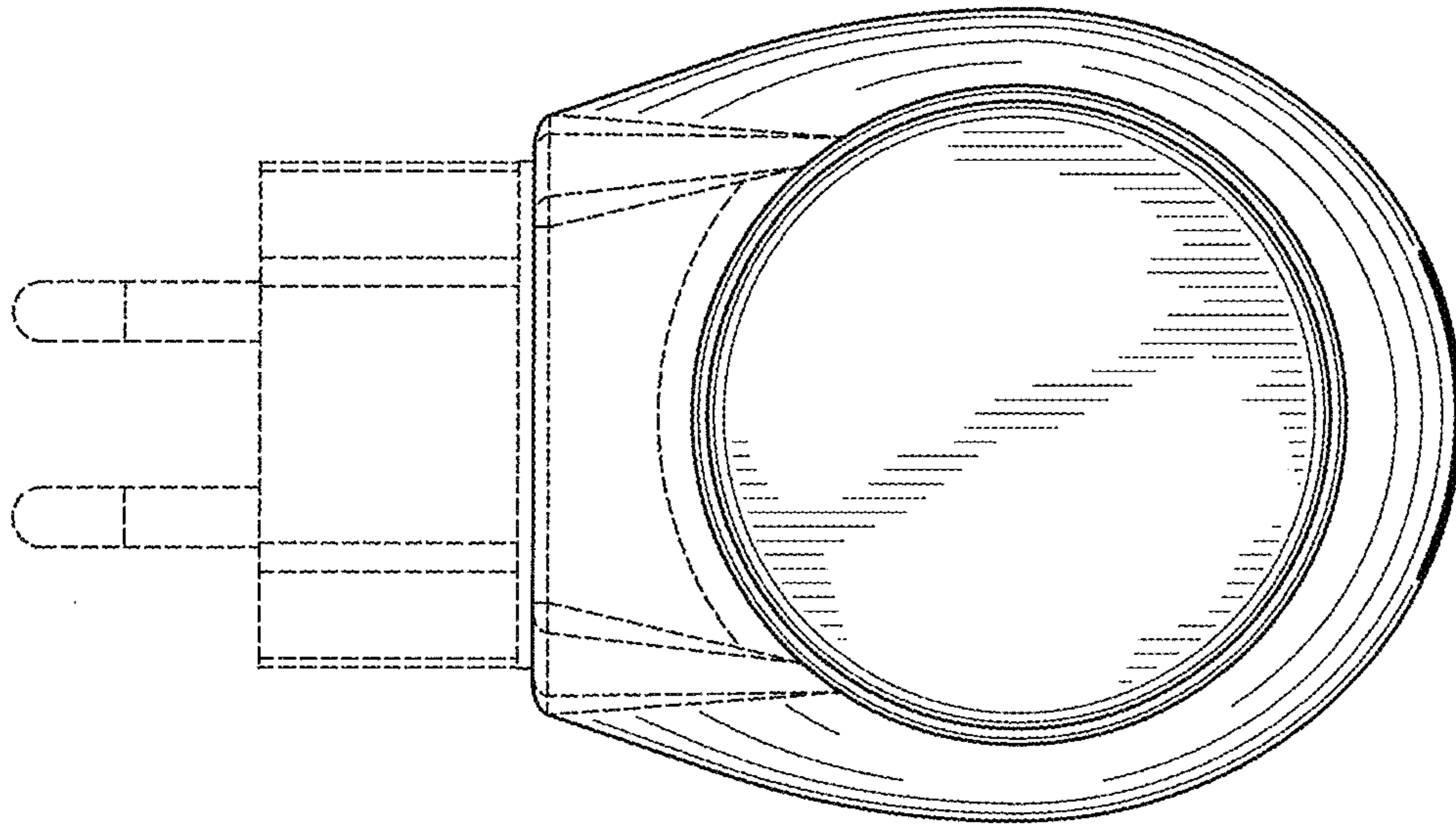


FIG. 7

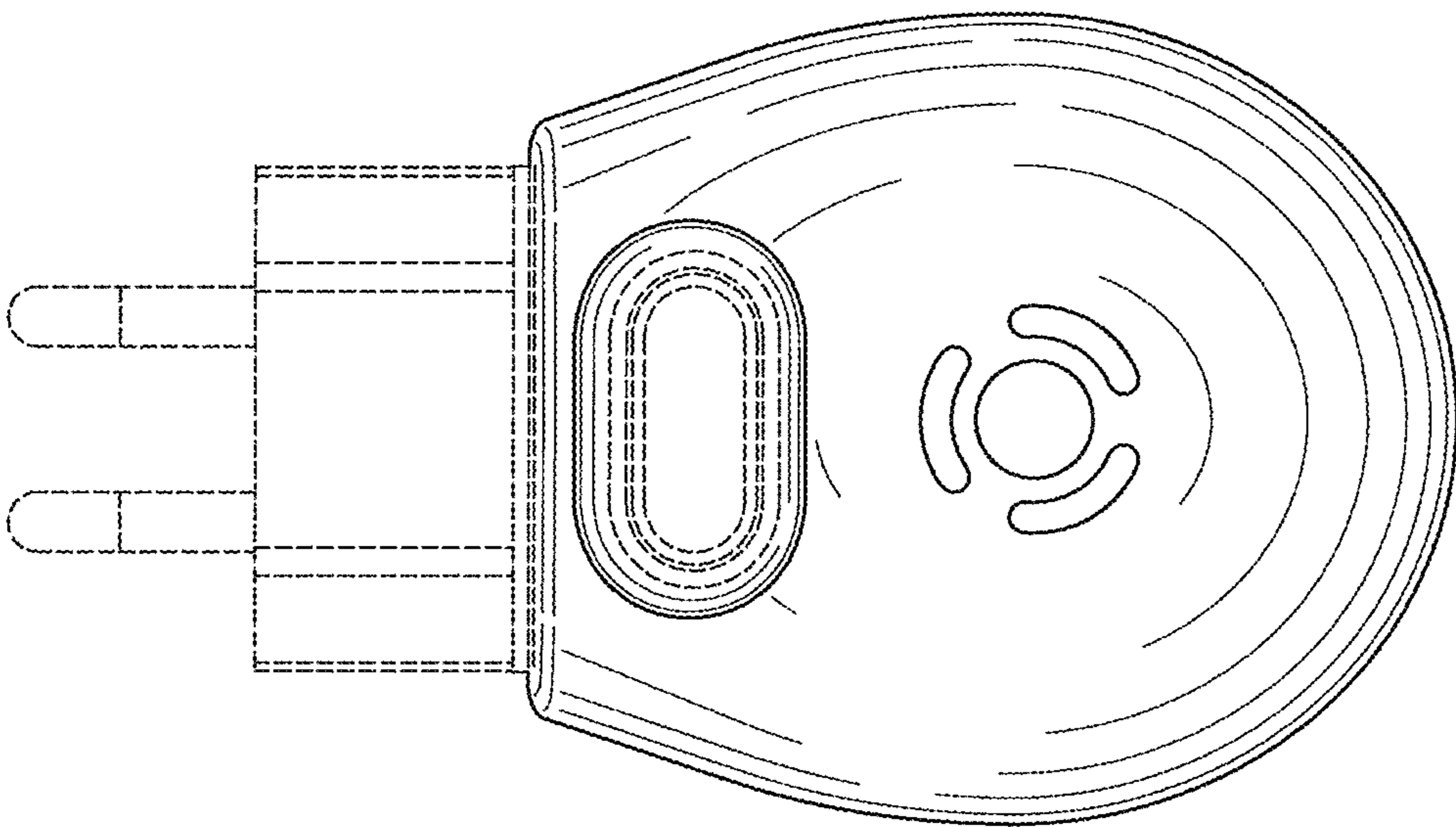


FIG. 6