



US00D763425S

(12) **United States Design Patent**
Ko et al.

(10) **Patent No.:** **US D763,425 S**

(45) **Date of Patent:** **** Aug. 9, 2016**

(54) **PHOTOCATALYST FILTER MODULE FOR REFRIGERATORS**

(71) Applicant: **Seoul Viosys Co., Ltd.**, Ansan-si (KR)

(72) Inventors: **Ik-Hwan Ko**, Pajoo-shi (KR);
Seong-Min Lee, Seoul (KR); **Jae-Seon Lee**, Ansan-si (KR)

(73) Assignee: **SEOUL VIOSYS CO., LTD.**, Ansan-Si (KR)

(**) Term: **14 Years**

(21) Appl. No.: **29/521,265**

(22) Filed: **Mar. 20, 2015**

(30) **Foreign Application Priority Data**

Dec. 9, 2014 (KR) 30-2014-0060016

(51) **LOC (10) Cl.** **23-04**

(52) **U.S. Cl.**
USPC **D23/365**

(58) **Field of Classification Search**
USPC D23/355–365, 386–388, 314, 325,
D23/333–336; 55/478, 482, 483, 490, 497,
55/498, 520, 521, 529
CPC B01D 46/00; B01D 46/0004; B01D 27/04;
B01D 27/06; B01D 39/00
See application file for complete search history.

(56) **References Cited**

U.S. PATENT DOCUMENTS

3,313,343 A * 4/1967 Ware F28F 3/022
165/166
D319,499 S * 8/1991 Hague D23/370
D366,522 S * 1/1996 Lagace D23/370
D476,073 S * 6/2003 Bourgeois D23/370

7,203,416 B2 * 4/2007 Craw F24H 3/0411
392/350
D547,853 S * 7/2007 Pilon D23/370
D674,474 S * 1/2013 Rentschler D23/364
D675,723 S * 2/2013 Garcia D23/393
D702,824 S * 4/2014 Martel D23/323
D703,803 S * 4/2014 Williams D23/365
D704,318 S * 5/2014 Martel D23/323

* cited by examiner

Primary Examiner — Sandra Snapp

Assistant Examiner — Wendy Arminio

(74) *Attorney, Agent, or Firm* — Perkins Coie LLP

(57) **CLAIM**

The ornamental design for a photocatalyst filter module for refrigerators, as shown and described.

DESCRIPTION

FIG. 1 is a perspective view of a photocatalyst filter module for refrigerators.

FIG. 2 is a front view of the photocatalyst filter module for refrigerators.

FIG. 3 is a rear view of the photocatalyst filter module for refrigerators.

FIG. 4 is a left-side view of the photocatalyst filter module for refrigerators.

FIG. 5 is a right-side view of the photocatalyst filter module for refrigerators.

FIG. 6 is a top view of the photocatalyst filter module for refrigerators.

FIG. 7 is a bottom view of the photocatalyst filter module for refrigerators; and,

FIG. 8 shows a lid coupled to an upper side of the photocatalyst filter module for refrigerators.

The lid shown in broken lines in the drawings is for illustrative purposes only and form no part of the claimed design.

1 Claim, 8 Drawing Sheets

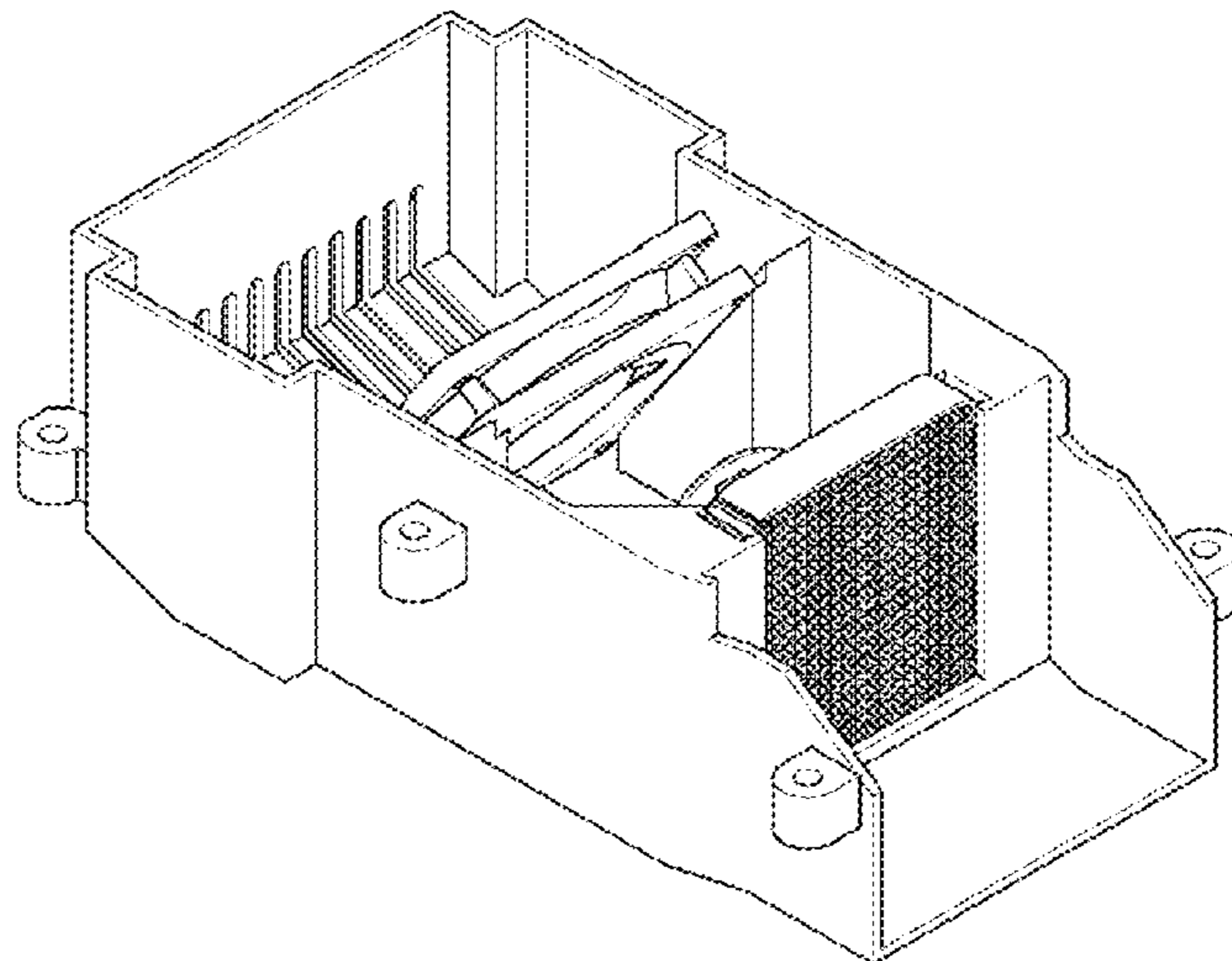


FIG. 1

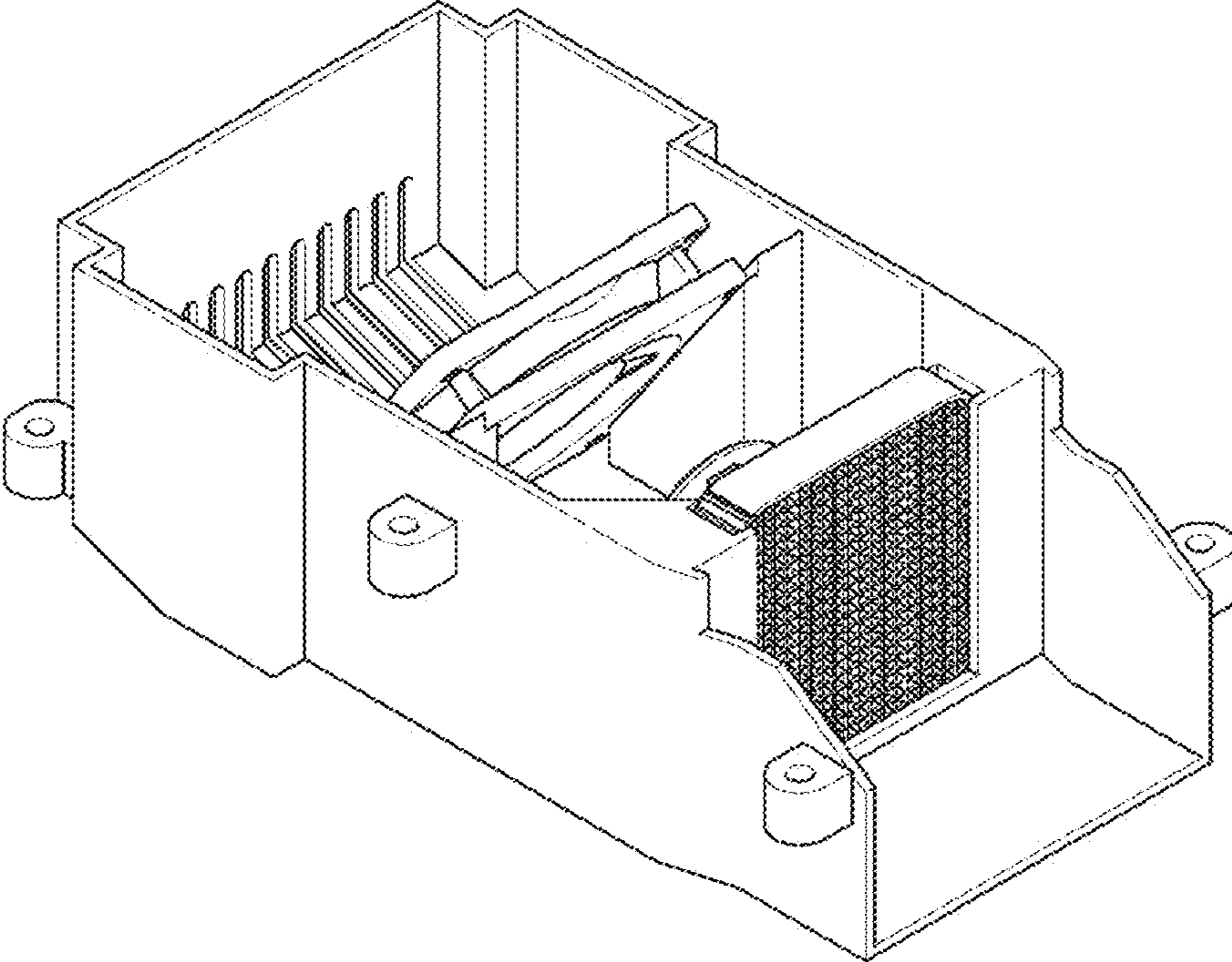


FIG. 2

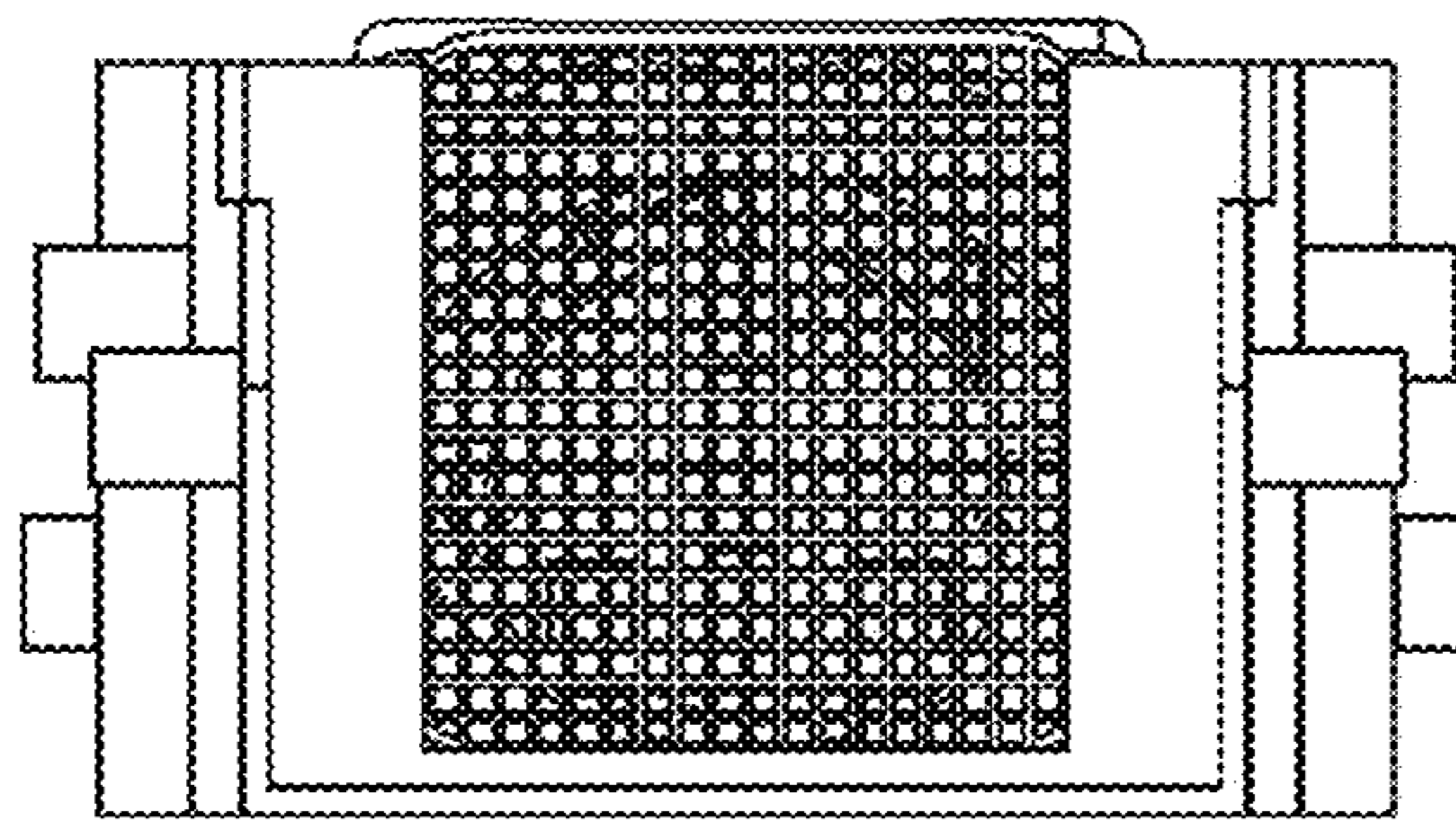


FIG. 3

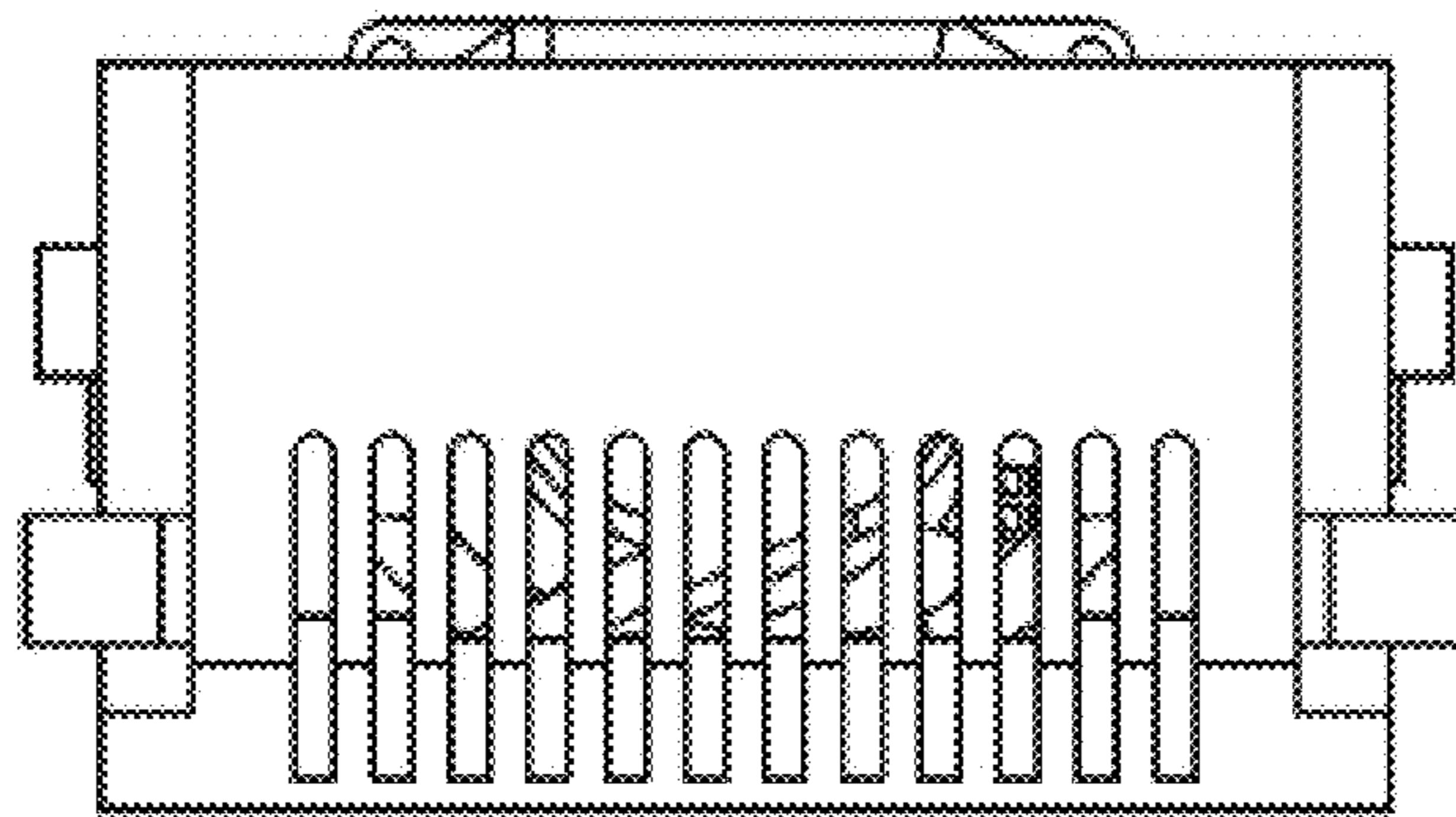


FIG. 4

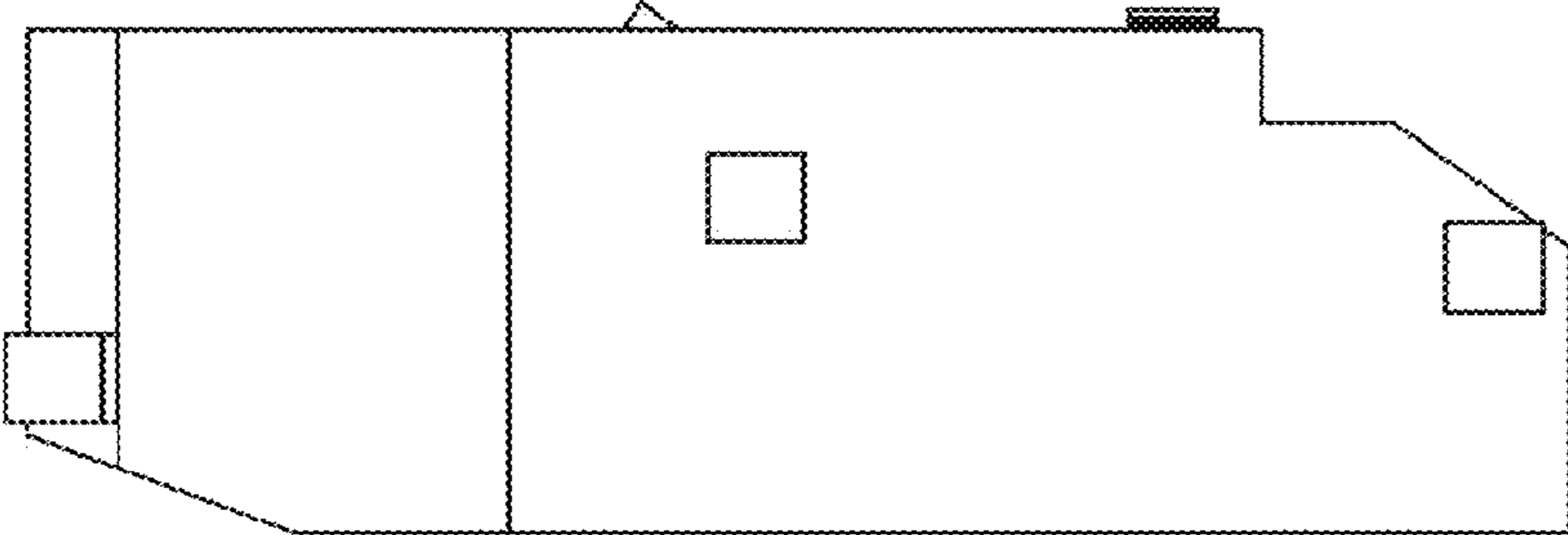


FIG. 5

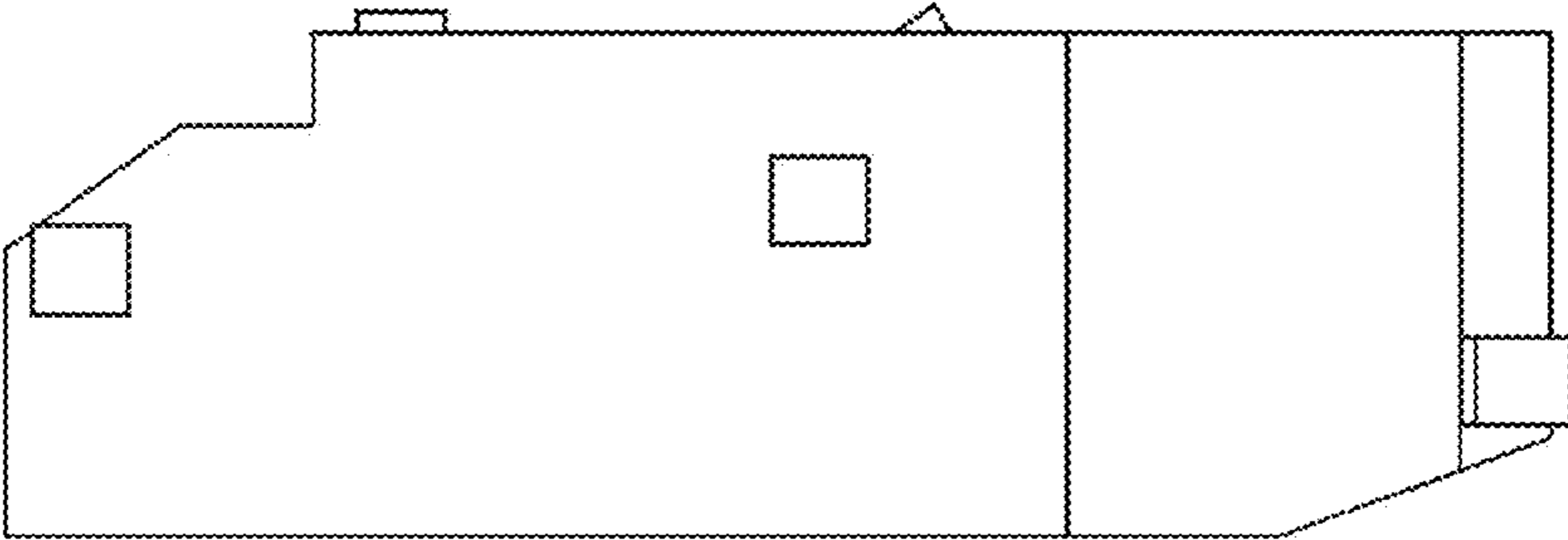


FIG. 6

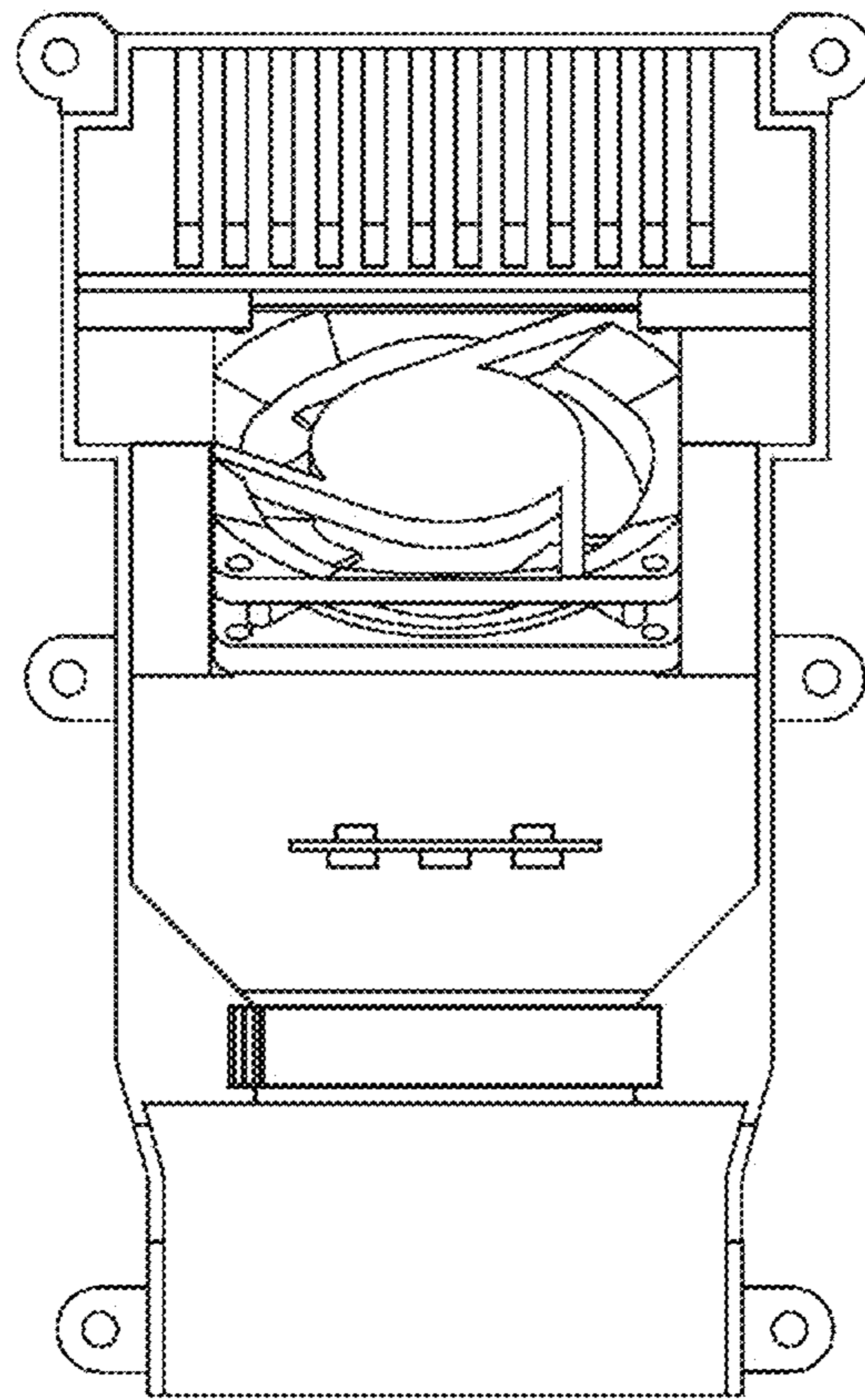
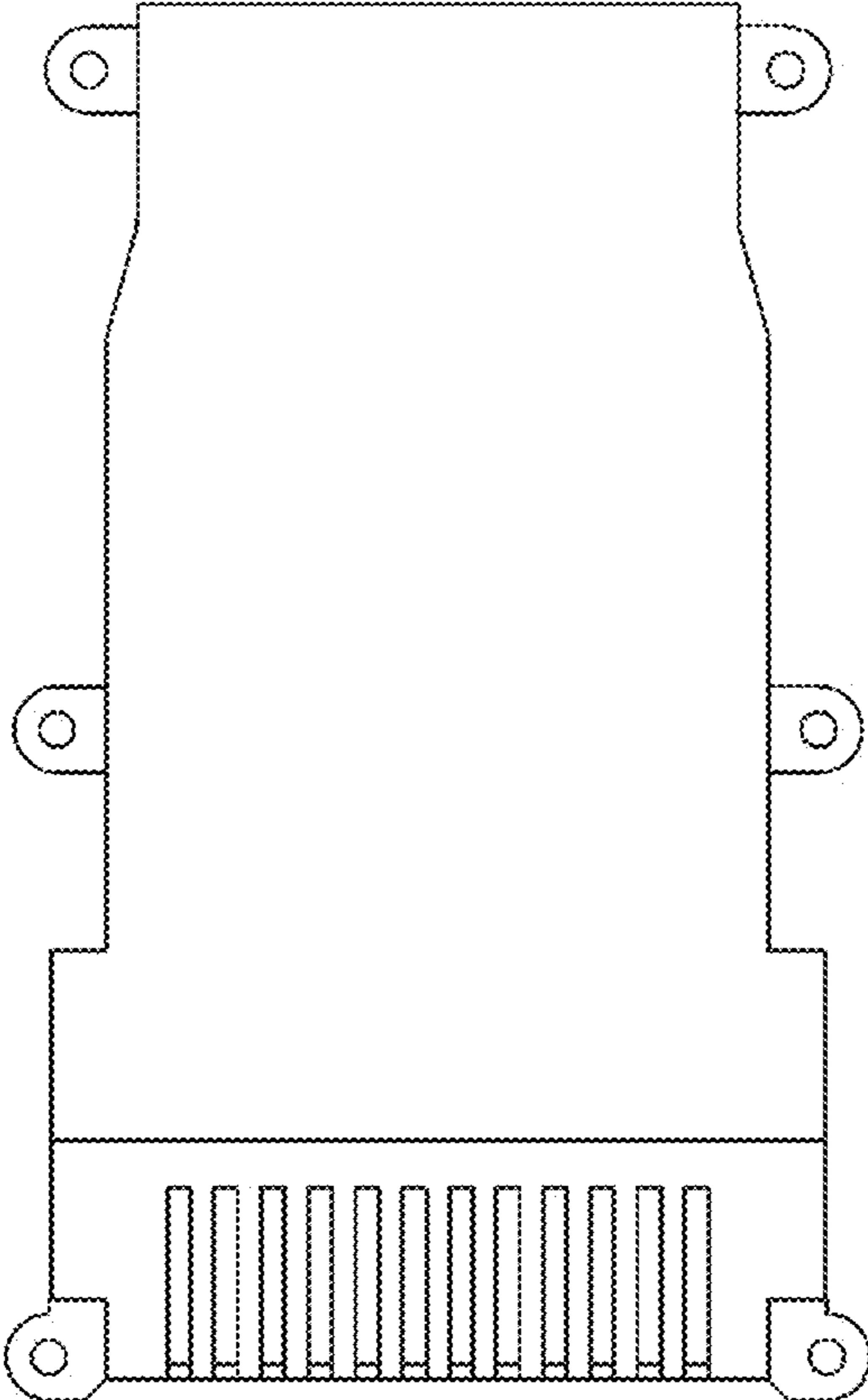


FIG. 7



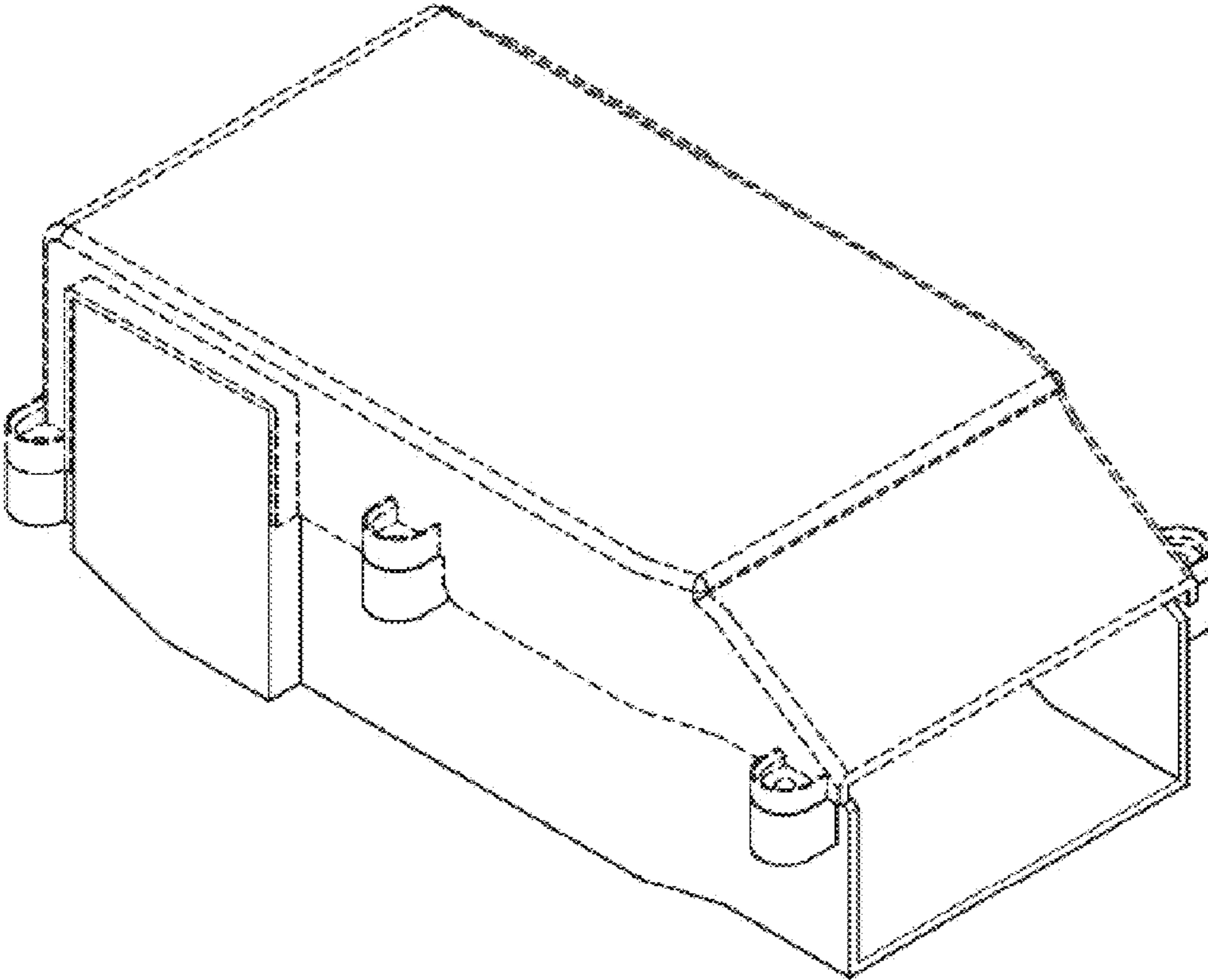


FIG. 8