



US00D763422S

(12) **United States Design Patent**  
**Ueno**

(10) **Patent No.:** **US D763,422 S**  
(45) **Date of Patent:** **\*\* Aug. 9, 2016**

(54) **AIR CONDITIONER**

FOREIGN PATENT DOCUMENTS

(71) Applicant: **FUJITSU GENERAL LIMITED**,  
Kanagawa (JP)

JP 1485190 S 12/2013

(72) Inventor: **Shintaro Ueno**, Kawasaki (JP)

OTHER PUBLICATIONS

(73) Assignee: **FUJITSU GENERAL LIMITED**,  
Kanagawa (JP)

Shutterstock [online]. Retrieved on Mar. 22, 2016 from URL: [http://www.shutterstock.com/cat.mhtml?country\\_code=US&safesearch=1&search\\_language=en&search\\_type=similar&similar\\_photo\\_id=264228434&tracking\\_id=a1J7BR7Yo7rWA-ckPb2aAQ&page=1&inline=363736214](http://www.shutterstock.com/cat.mhtml?country_code=US&safesearch=1&search_language=en&search_type=similar&similar_photo_id=264228434&tracking_id=a1J7BR7Yo7rWA-ckPb2aAQ&page=1&inline=363736214).\*

(\*\*) Term: **14 Years**

Samsung [online]. Retrieved on Mar. 23, 2016 from URL: <http://www.samsung.com/uk/business/business-products/vrf-dvm-s/vrf-dvm-s/AM028FNNDEH/EU>.\*

(21) Appl. No.: **29/514,461**

Marrony Blanco [online]. Retrieved on Mar. 23, 2016 from URL: <http://marronyblanco.com/samsung-lanza-nuevos-productos/>.\*

(22) Filed: **Jan. 13, 2015**

India Mart [online]. Retrieved on Mar. 15, 2016 from URL: <http://www.indiamart.com/acr-services-pune/cassette-type-air-conditioner-unit.html>.\*

(30) **Foreign Application Priority Data**

Jul. 14, 2014 (JP) ..... 2014-015279

(51) **LOC (10) Cl.** ..... **23-04**

(52) **U.S. Cl.**  
USPC ..... **D23/351**

(58) **Field of Classification Search**  
USPC ..... D23/324-327, 332-334, 342-344,  
D23/351-354, 370, 385, 388; 165/121;  
454/284; 62/259.1, 298, 407

CPC ..... F24F 13/08; F24F 13/15; F24F 13/1413;  
F24F 1/00; F24F 1/27; F24F 2001/0048

See application file for complete search history.

\* cited by examiner

*Primary Examiner* — Susan Bennett Hattan

*Assistant Examiner* — Keith Wilson

(74) *Attorney, Agent, or Firm* — Sughrue Mion, PLLC

(57) **CLAIM**

The ornamental design for air conditioner, as shown and described.

**DESCRIPTION**

FIG. 1 is a perspective view of front, left and top view of air conditioner showing my new design;

FIG. 2 is a front view thereof;

FIG. 3 is a left side view thereof;

FIG. 4 is a right side view thereof;

FIG. 5 is a top view thereof;

FIG. 6 is a bottom view thereof; and,

FIG. 7 is an alternative perspective view showing an operation status thereof.

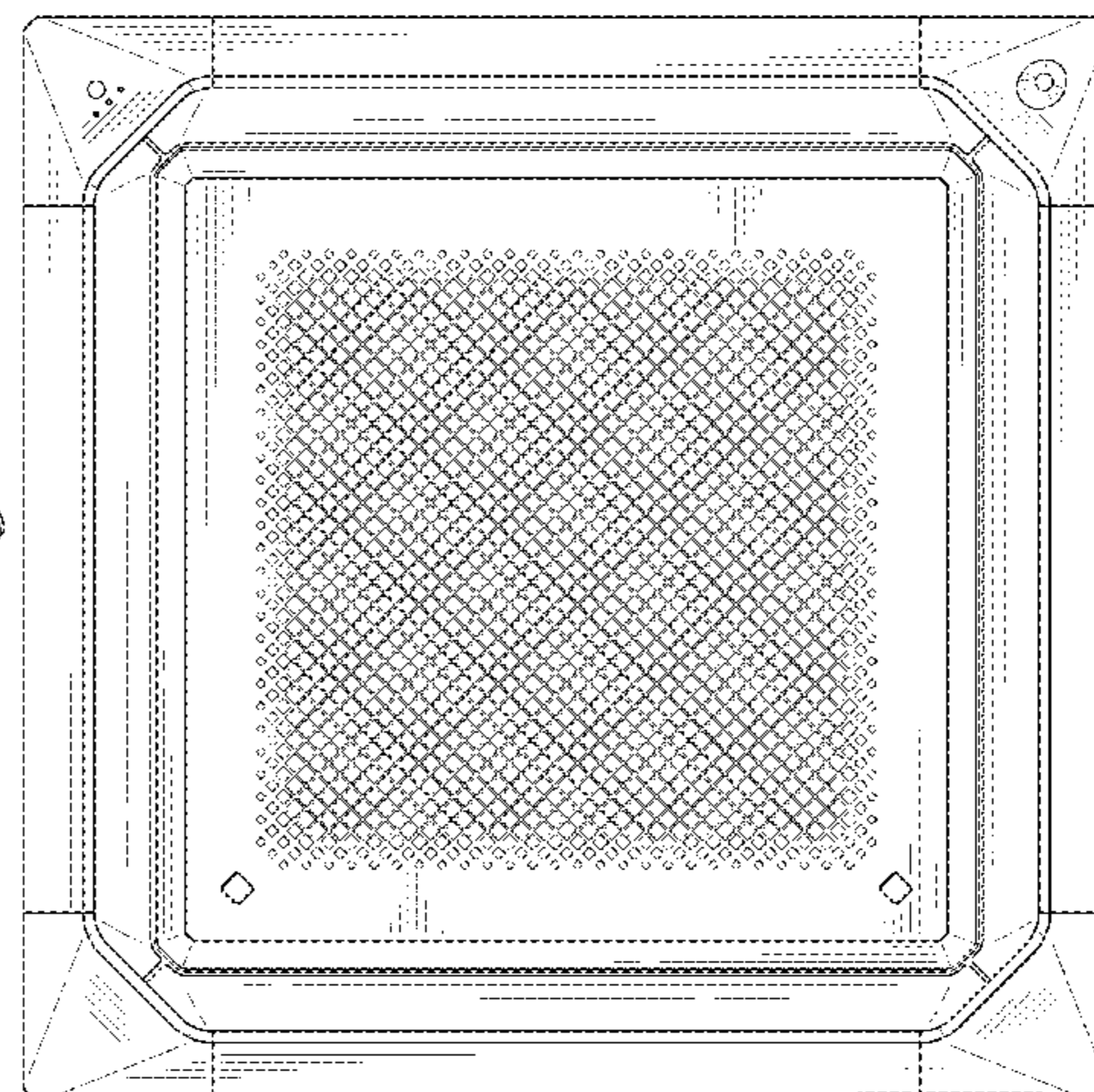
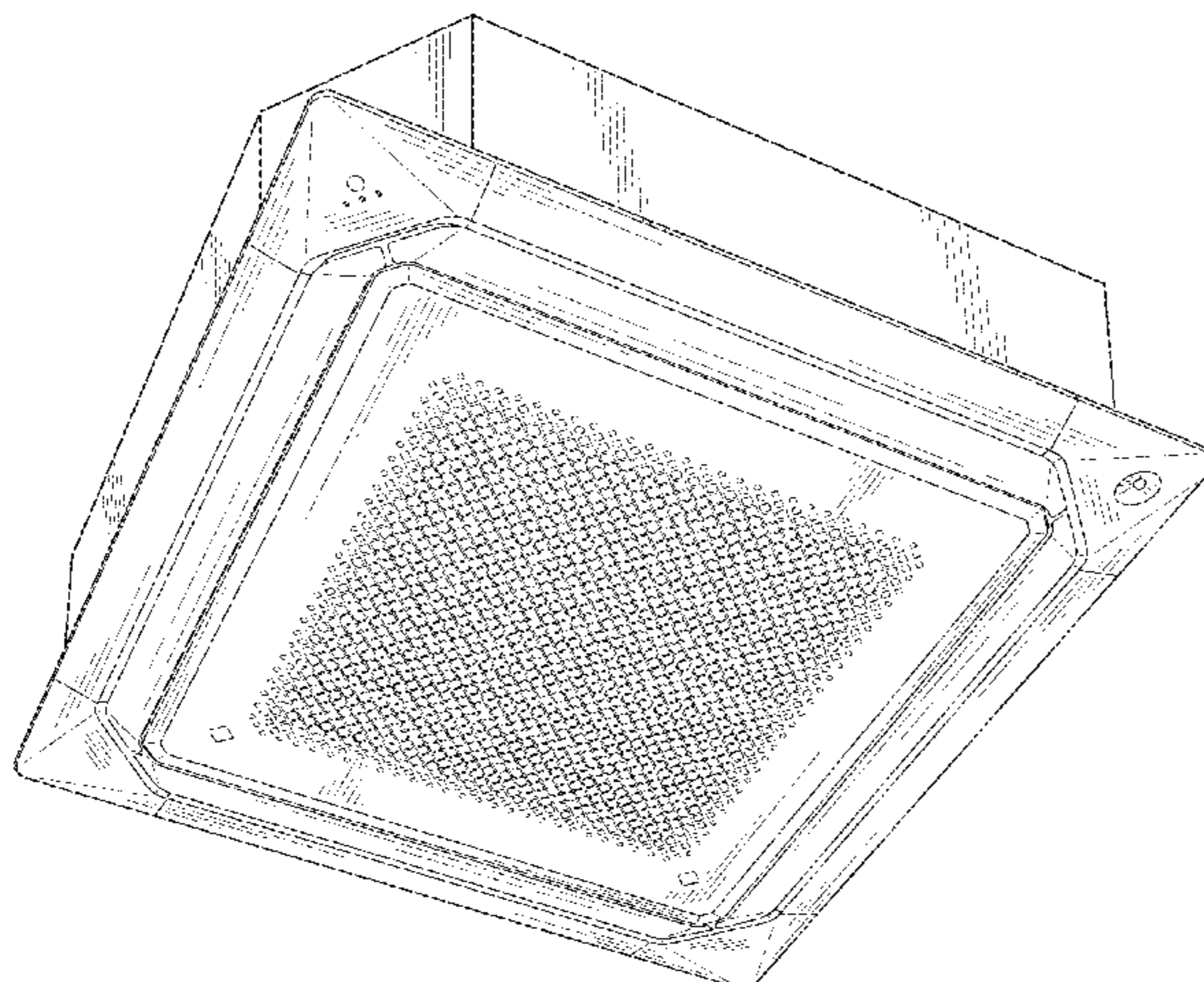
A rear view is omitted because it is plain and unornamental and forms no part of the subject matter of the claimed design.

(56) **References Cited**

U.S. PATENT DOCUMENTS

D603,031 S *	10/2009	Kashimoto	.....	D23/351
D705,409 S *	5/2014	Hagiwara	.....	D23/351
D705,917 S *	5/2014	Hagiwara	.....	D23/351
D720,442 S *	12/2014	Kosuge	.....	D23/351
D720,443 S *	12/2014	Kosuge	.....	D23/351
D724,715 S *	3/2015	Isshiki	.....	D23/351
2015/0007967 A1 *	1/2015	Jeong	.....	F24F 1/0011 165/121
2015/0038068 A1 *	2/2015	Matsunaga	.....	F24F 13/1413 454/284
2015/0096723 A1 *	4/2015	Jeong	.....	F24F 13/1426 165/121

**1 Claim, 5 Drawing Sheets**





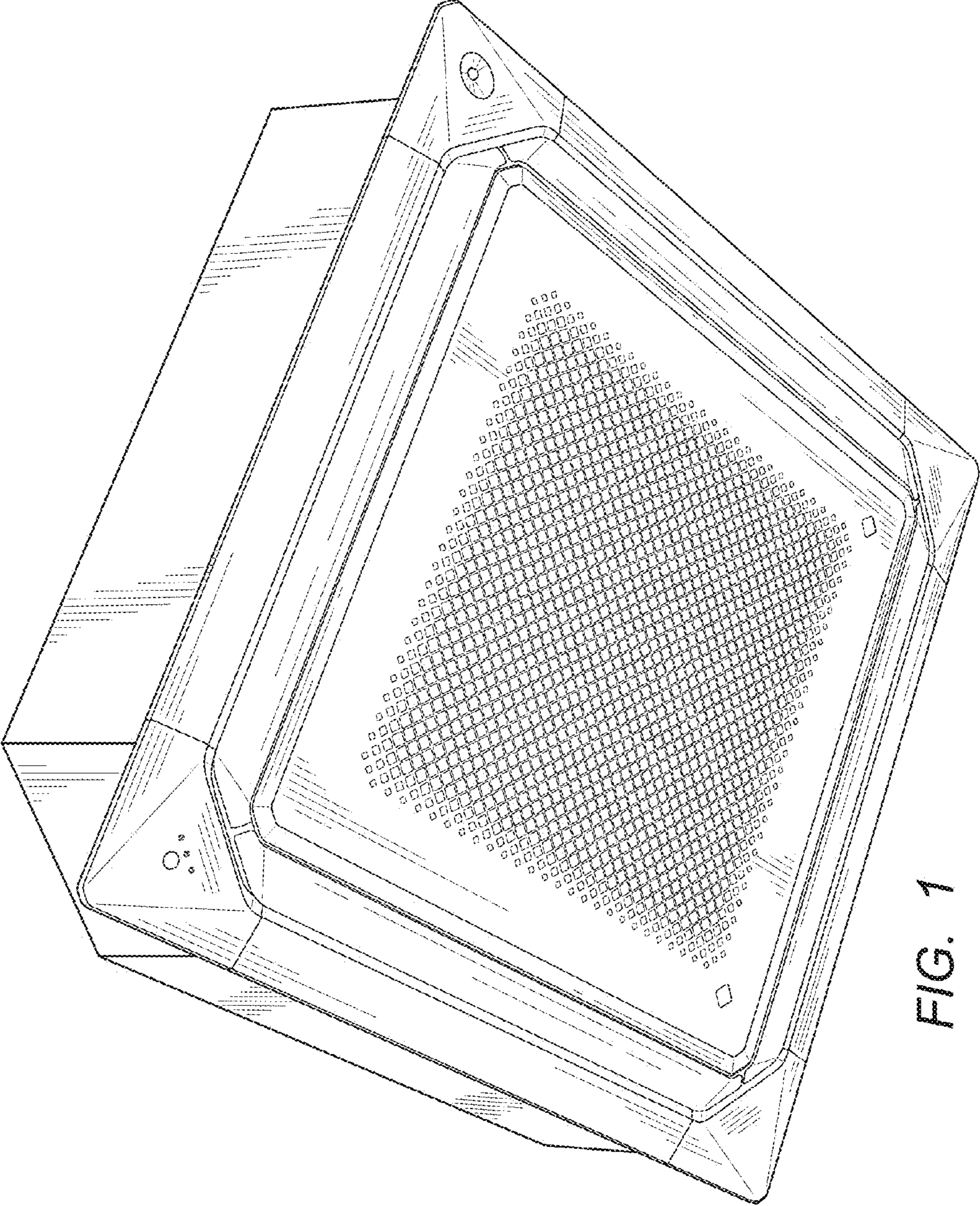


FIG. 1



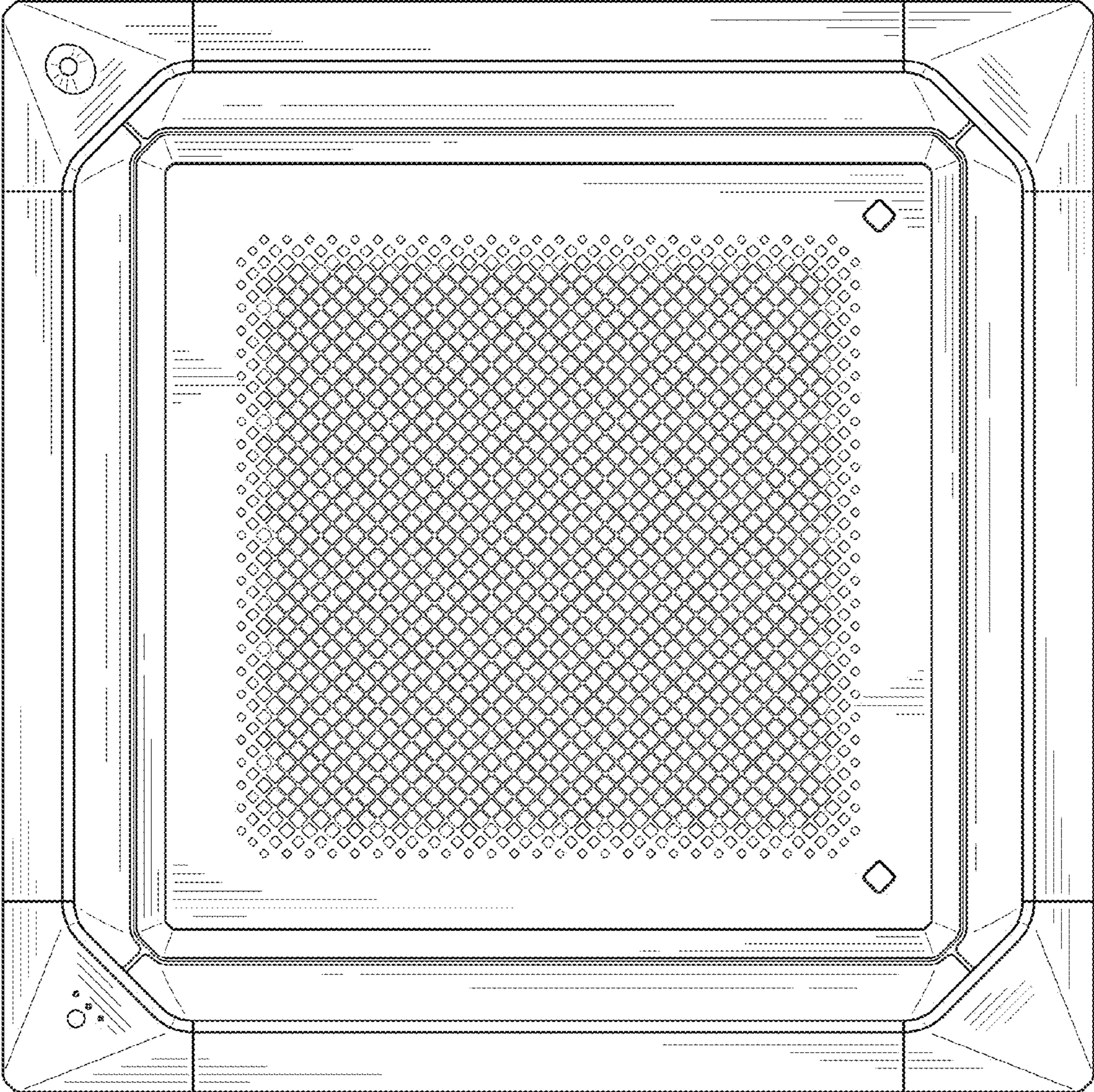


FIG. 2

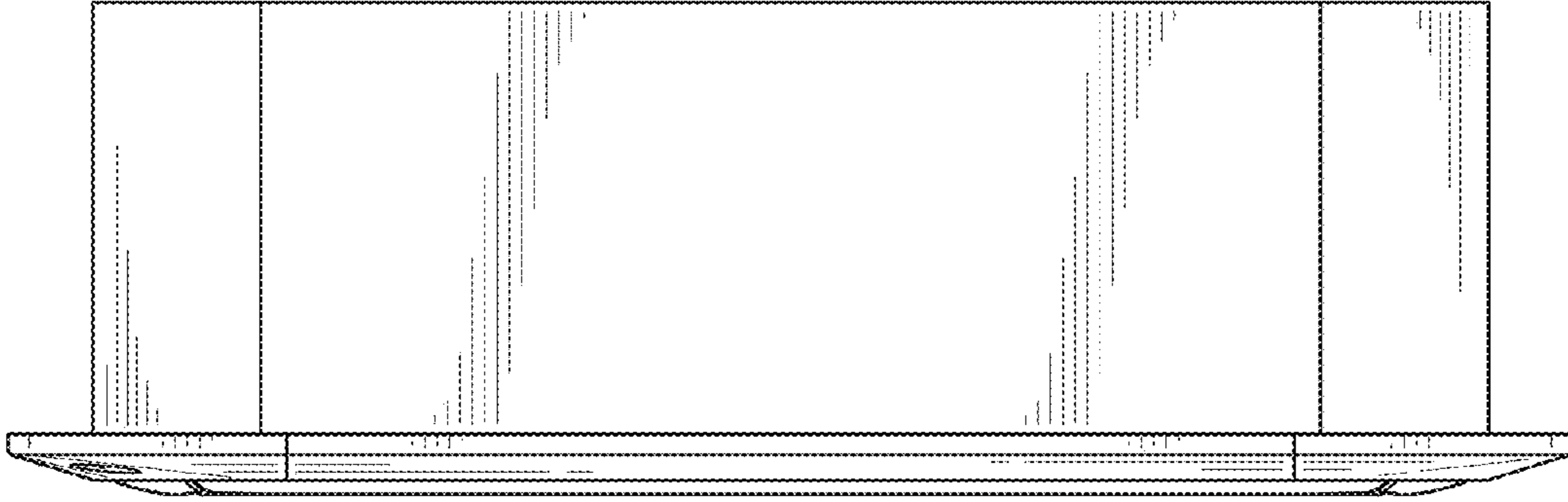


FIG. 4

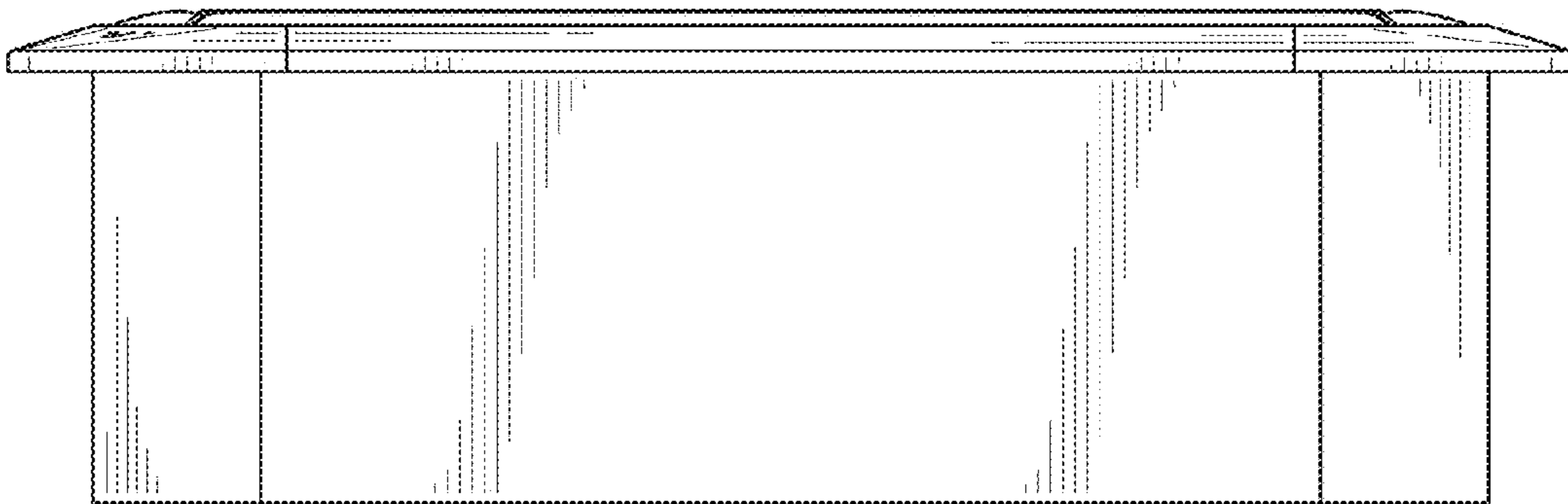


FIG. 3

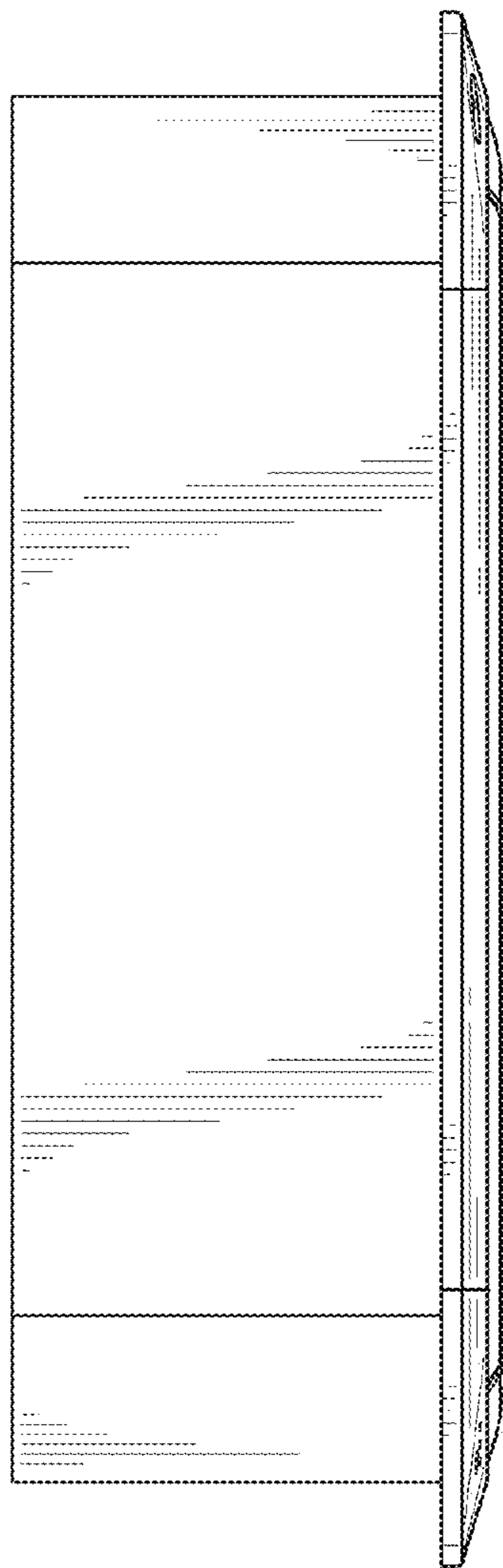


FIG. 5

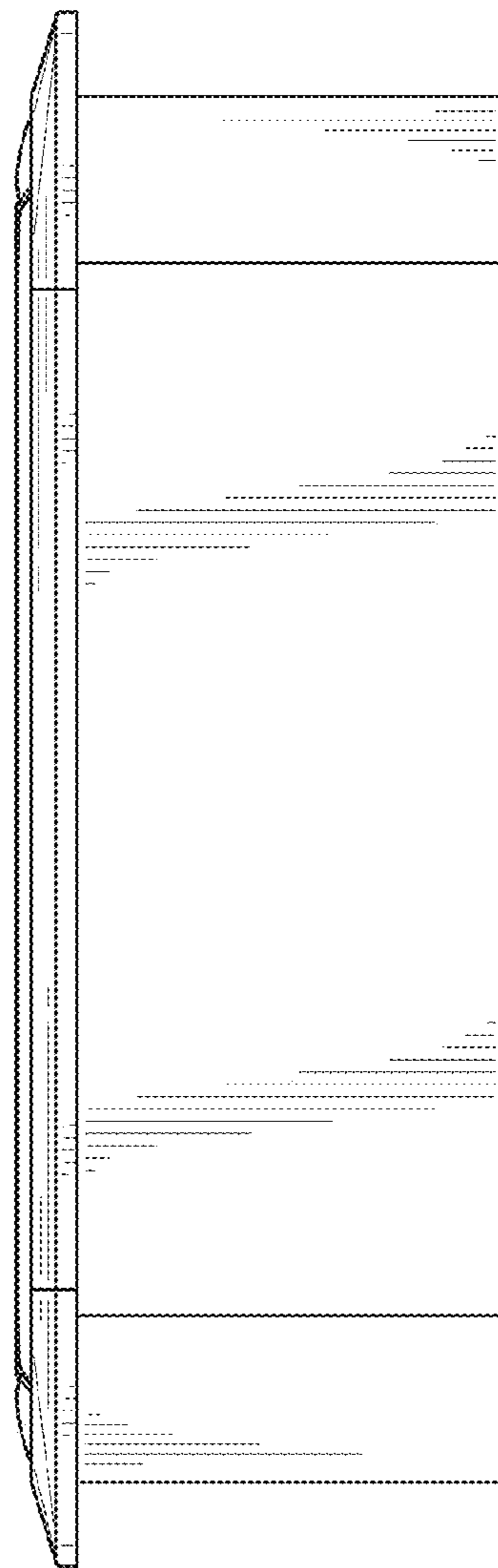


FIG. 6



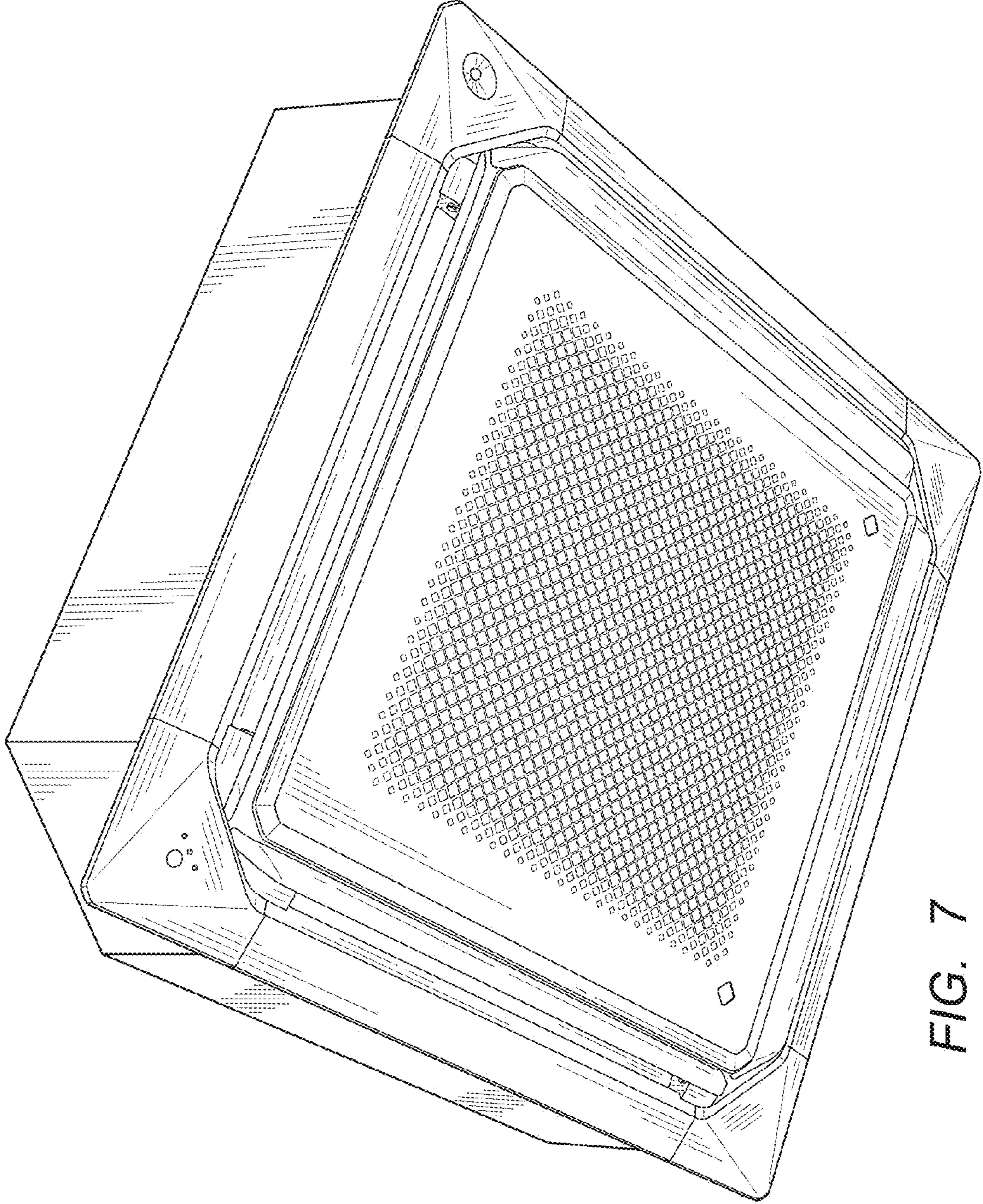


FIG. 7