



US00D763421S

(12) **United States Design Patent**
Saitou

(10) **Patent No.:** **US D763,421 S**

(45) **Date of Patent:** **** Aug. 9, 2016**

(54) **AIR CONDITIONER**

(56) **References Cited**

(71) Applicant: **Yumi Saitou**, Kusatsu (JP)

U.S. PATENT DOCUMENTS

(72) Inventor: **Yumi Saitou**, Kusatsu (JP)

D368,305 S *	3/1996	Shigenari	D23/351
D536,430 S *	2/2007	Miyake	D23/351
D539,889 S *	4/2007	Chooji	D23/351
D571,907 S *	6/2008	Choi	D23/351
D580,534 S *	11/2008	Oh	D23/351
D616,083 S *	5/2010	Saitou	D23/351
D676,119 S *	2/2013	Baek	D23/351
D683,832 S *	6/2013	Satou	D23/351

(73) Assignee: **DAIKIN INDUSTRIES LTD.**,
Osaka-Shi, Osaka-Fu (JP)

(**) Term: **14 Years**

* cited by examiner

(21) Appl. No.: **29/514,450**

Primary Examiner — George D Kirschbaum

(22) Filed: **Jan. 13, 2015**

Assistant Examiner — Natasha Vujcic

(30) **Foreign Application Priority Data**

(74) *Attorney, Agent, or Firm* — Manabu Kanesaka

Sep. 8, 2014 (JP) 2014-019825

(57) **CLAIM**

The ornamental design for an air conditioner, as shown and described.

(51) **LOC (10) Cl.** **23-04**

DESCRIPTION

(52) **U.S. Cl.**

USPC **D23/351**

FIG. 1 is a perspective view of an air conditioner showing my new design;

(58) **Field of Classification Search**

USPC D23/314, 317, 324, 328, 329, 330, 332,
D23/333, 335, 341, 342, 351, 353, 354, 355,
D23/356, 359, 364, 365, 370, 385, 386, 388,
D23/393

FIG. 2 is a front view thereof;

FIG. 3 is a rear view thereof;

FIG. 4 is a plan view thereof;

FIG. 5 is a bottom view thereof;

FIG. 6 is a left side view thereof;

FIG. 7 is a right side view thereof; and,

FIG. 8 is a cross-sectional view thereof along the line 8-8 in FIG. 2.

The broken lines depict portions of the air conditioner that form no part of claimed design.

CPC F24F 1/00; F24F 1/0007; F24F 1/02;
F24F 1/08; F24F 1/42; F24F 1/56; F24F 1/60;
F24F 3/044; F24F 3/048; F24F 3/16; F24F
7/00; F24F 7/04; F24F 12/001; F24F 12/006
See application file for complete search history.

1 Claim, 3 Drawing Sheets

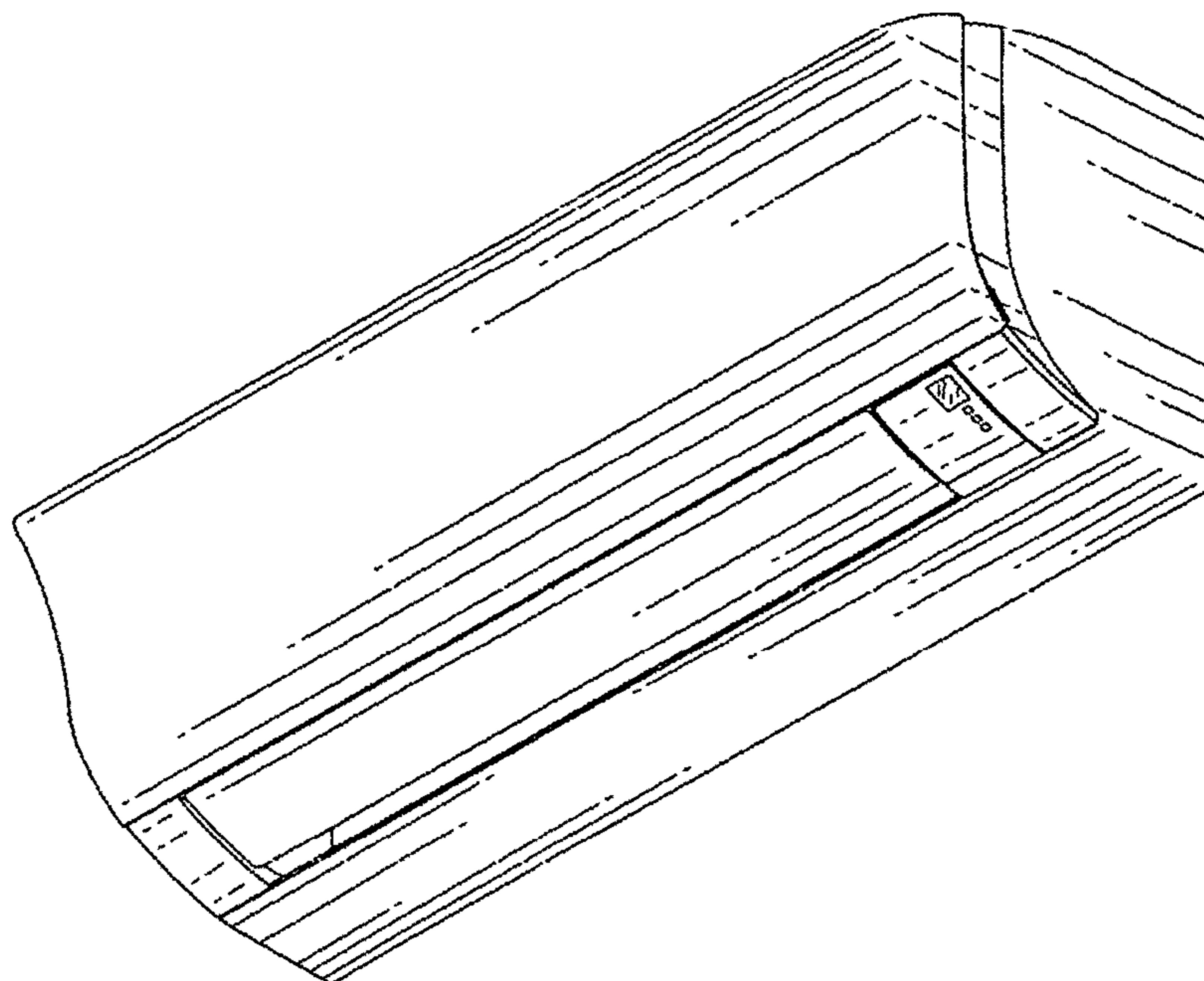


Fig. 1

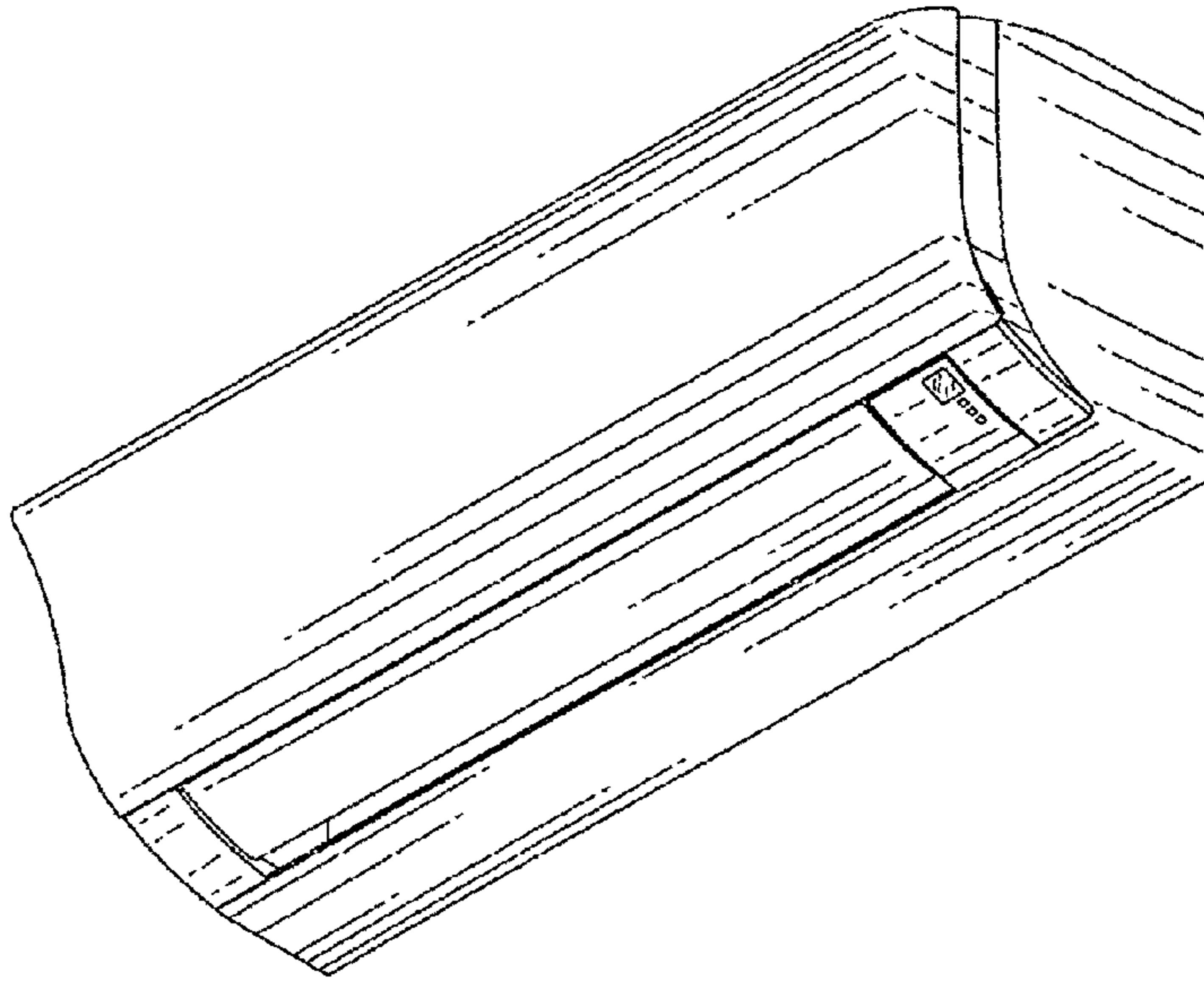
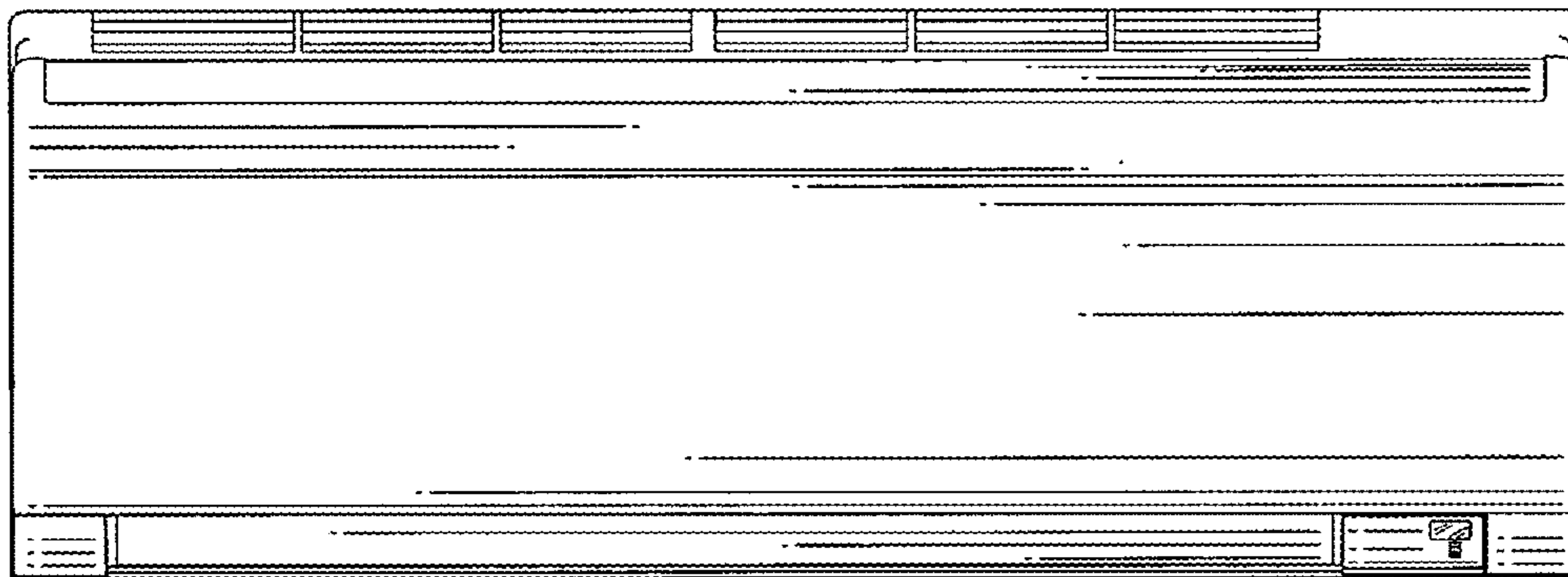


Fig. 2

8-7



8-1

Fig. 3

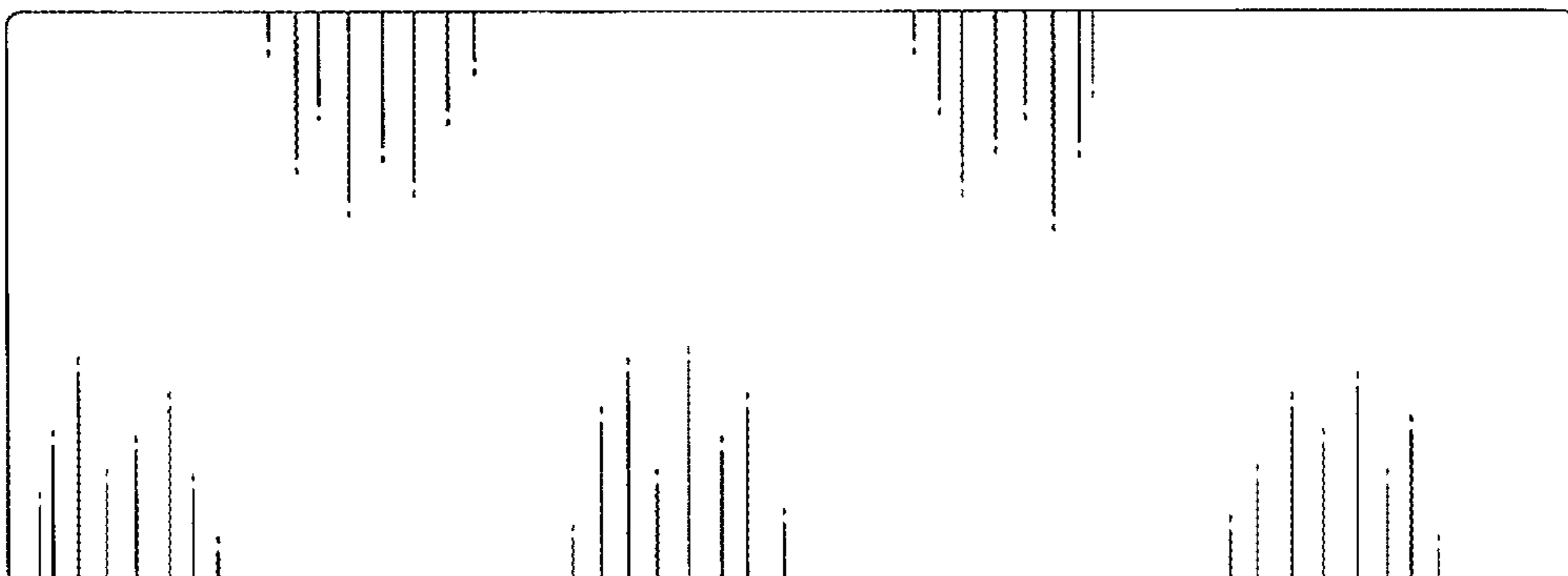


Fig.4

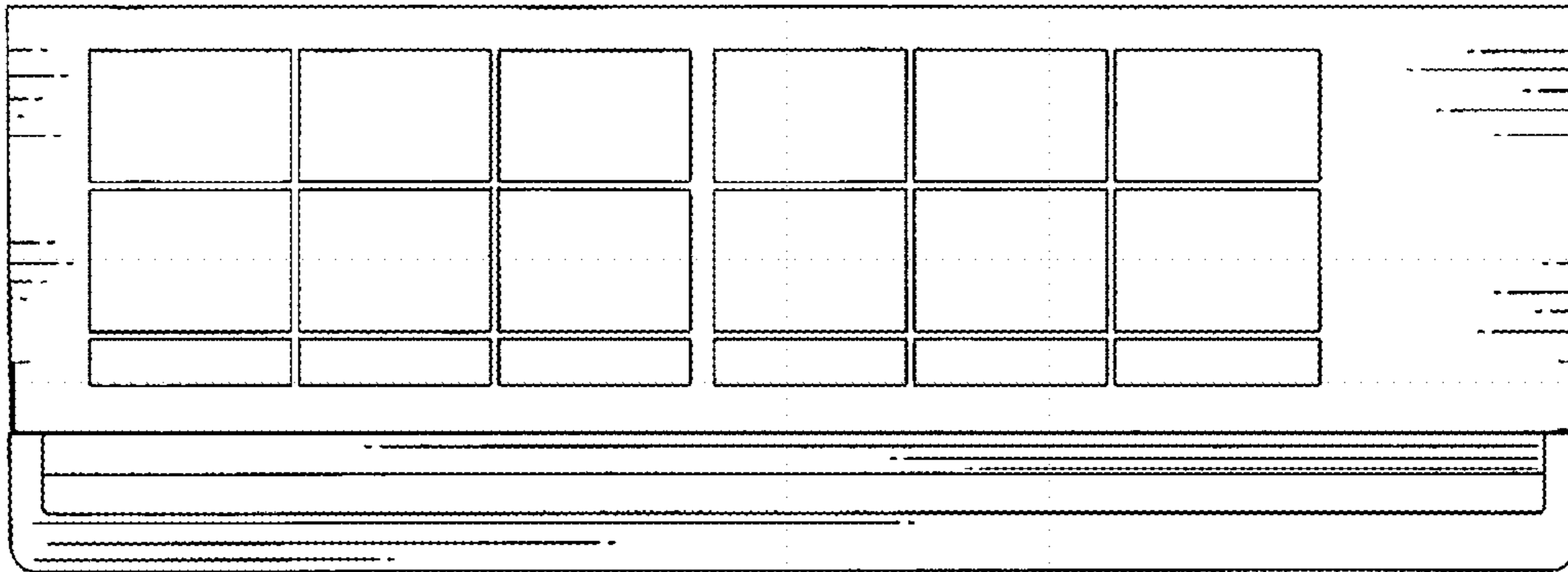


Fig.5

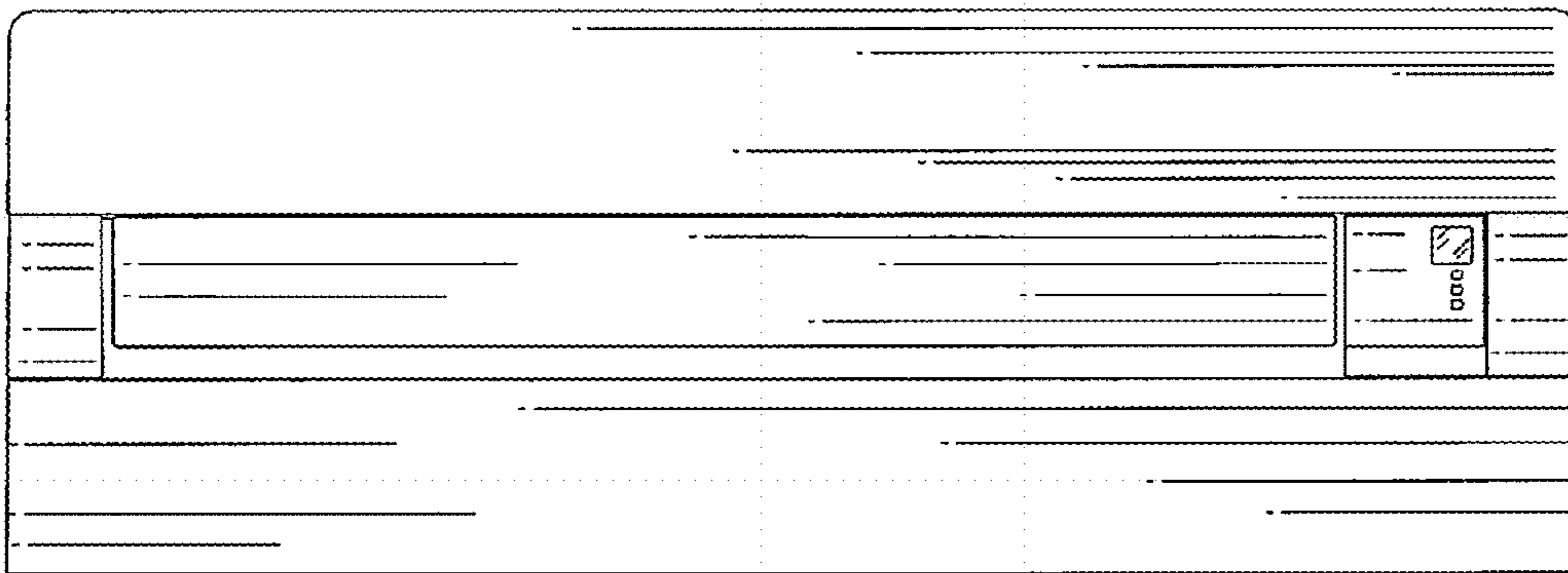


Fig.6

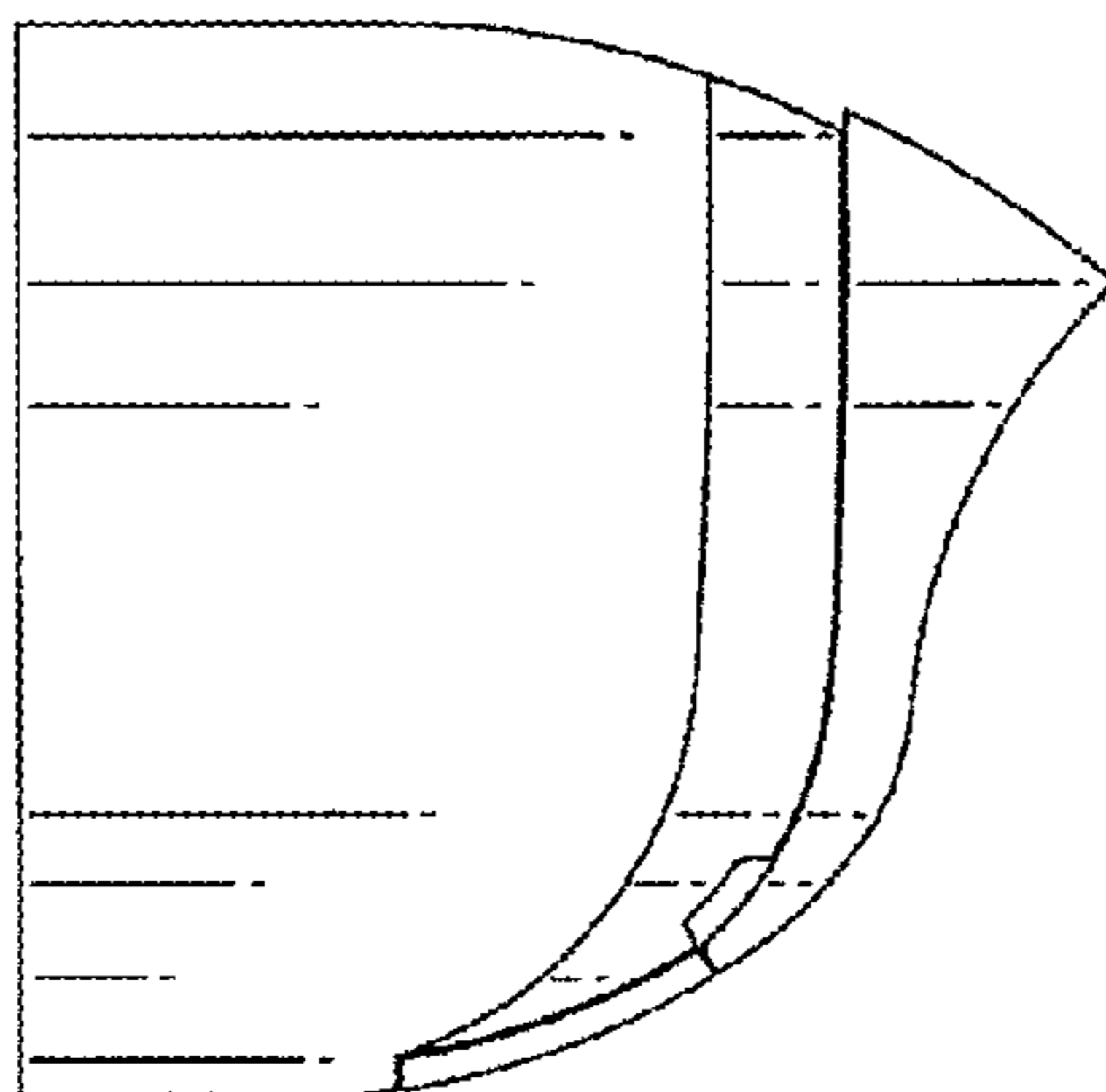


Fig.7

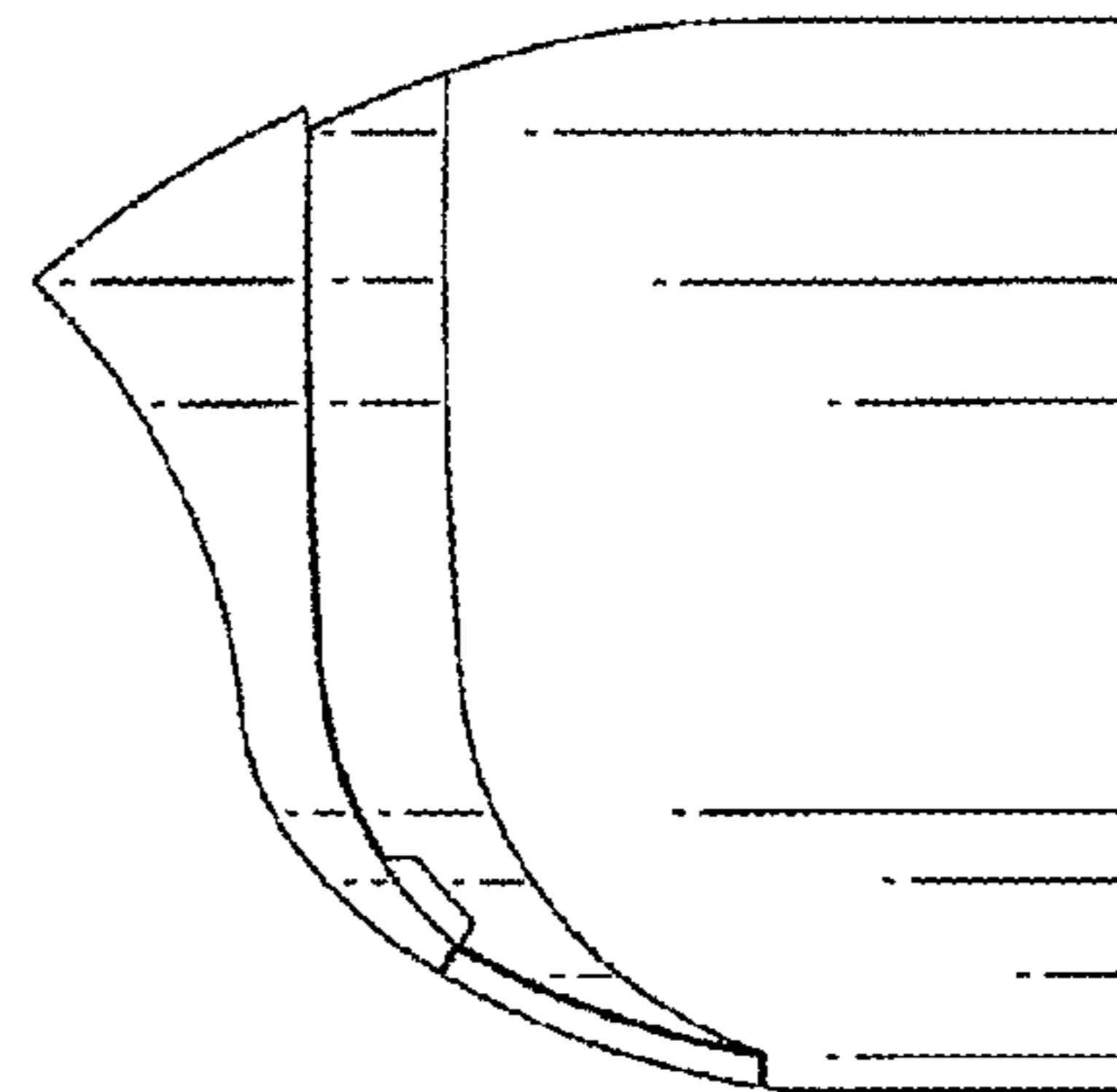


Fig. 8

