



US00D763418S

(12) **United States Design Patent**
Towiwat

(10) **Patent No.:** **US D763,418 S**
(45) **Date of Patent:** **** Aug. 9, 2016**

- (54) **HEAT EXCHANGER**
- (71) Applicant: **Dhiti Towiwat**, Bangkok (TH)
- (72) Inventor: **Dhiti Towiwat**, Bangkok (TH)
- (**) Term: **14 Years**
- (21) Appl. No.: **29/514,099**
- (22) Filed: **Jan. 8, 2015**
- (30) **Foreign Application Priority Data**

Jul. 23, 2014 (TH) 1402001967

- (51) **LOC (10) Cl.** **23-03**
- (52) **U.S. Cl.**
USPC **D23/323**
- (58) **Field of Classification Search**
USPC D23/323, 314, 322; 165/10
CPC ... F28D 20/0056; F28D 17/02; F24H 7/0458;
F24H 9/1836; Y02E 60/142
See application file for complete search history.

(56) **References Cited**

U.S. PATENT DOCUMENTS

- 5,994,681 A * 11/1999 Lloyd F03D 9/006
219/628
- 8,230,900 B2 * 7/2012 Stojanowski F24J 3/083
165/10
- D686,710 S 7/2013 Towiwat
- D686,711 S 7/2013 Towiwat
- D686,712 S 7/2013 Towiwat
- D696,752 S 12/2013 Towiwat
- D696,753 S 12/2013 Towiwat
- D696,754 S 12/2013 Towiwat
- D696,755 S 12/2013 Towiwat
- D696,756 S 12/2013 Towiwat
- D696,757 S 12/2013 Towiwat
- 2002/0112844 A1 * 8/2002 Oswald F28D 9/04
165/10
- 2004/0194908 A1 * 10/2004 Tomohide F28D 20/021
165/10
- 2005/0126172 A1 * 6/2005 Hudson F24H 1/185
60/659

- 2010/0258266 A1 * 10/2010 Stojanowski F28D 20/0056
165/45
- 2011/0061837 A1 * 3/2011 Jeter F28D 11/02
165/104.14
- 2011/0146939 A1 * 6/2011 Bond C02F 1/14
165/10
- 2012/0132398 A1 * 5/2012 Jeter F28D 11/02
165/104.15
- 2013/0104549 A1 * 5/2013 Stiesdal F02C 6/14
60/659
- 2014/0001188 A1 * 1/2014 Nahm A61J 1/165
220/592.01
- 2014/0196865 A1 * 7/2014 Towiwat F24H 7/0458
165/10
- 2015/0053367 A1 * 2/2015 Parkinson F28D 20/02
165/10

* cited by examiner

Primary Examiner — T. Chase Nelson
Assistant Examiner — Ania Aman
(74) *Attorney, Agent, or Firm* — Cooper & Dunham LLP

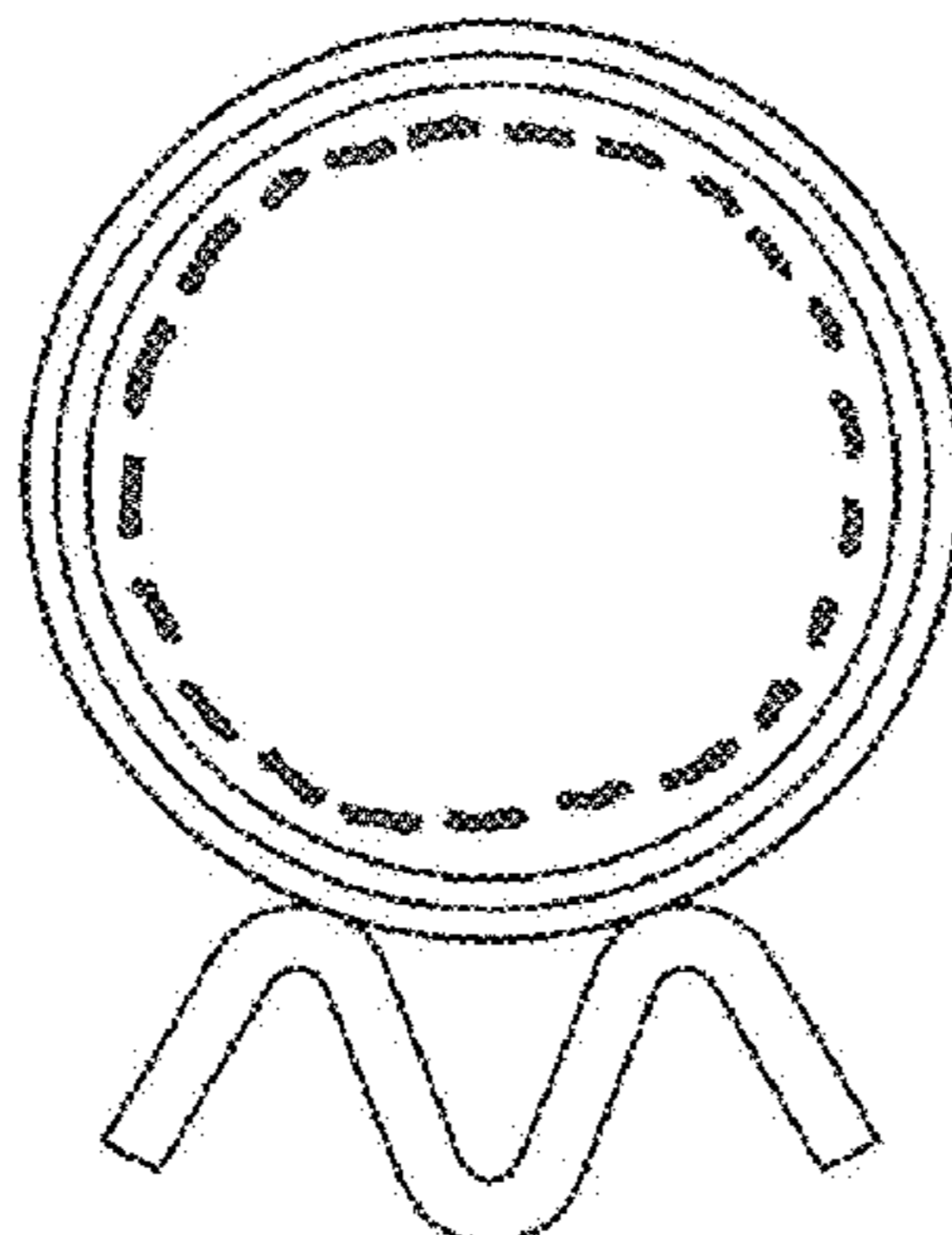
(57) **CLAIM**

I claim the ornamental design for heat exchanger, as shown and described.

DESCRIPTION

FIG. 1 is a front view of the heat exchanger of the claimed design.
FIG. 2 is a back view of the heat exchanger.
FIG. 3 is a left view of the heat exchanger.
FIG. 4 is a right view of the heat exchanger.
FIG. 5 is a top view of the heat exchanger.
FIG. 6 is a bottom view of the heat exchanger.
FIG. 7 is a perspective view of heat exchanger; and,
FIG. 8 is a perspective view of heat exchanger.
In the drawings, the broken lines represent the boundaries of the claimed design. The broken line boundaries and portions they enclose form no part of the claimed design.
The product “heat exchanger” is positioned within a boiler or burner such that after heating, the heat storage can facilitate the transfer of heat to the boiler or burner in a delayed and uniform manner.

1 Claim, 8 Drawing Sheets



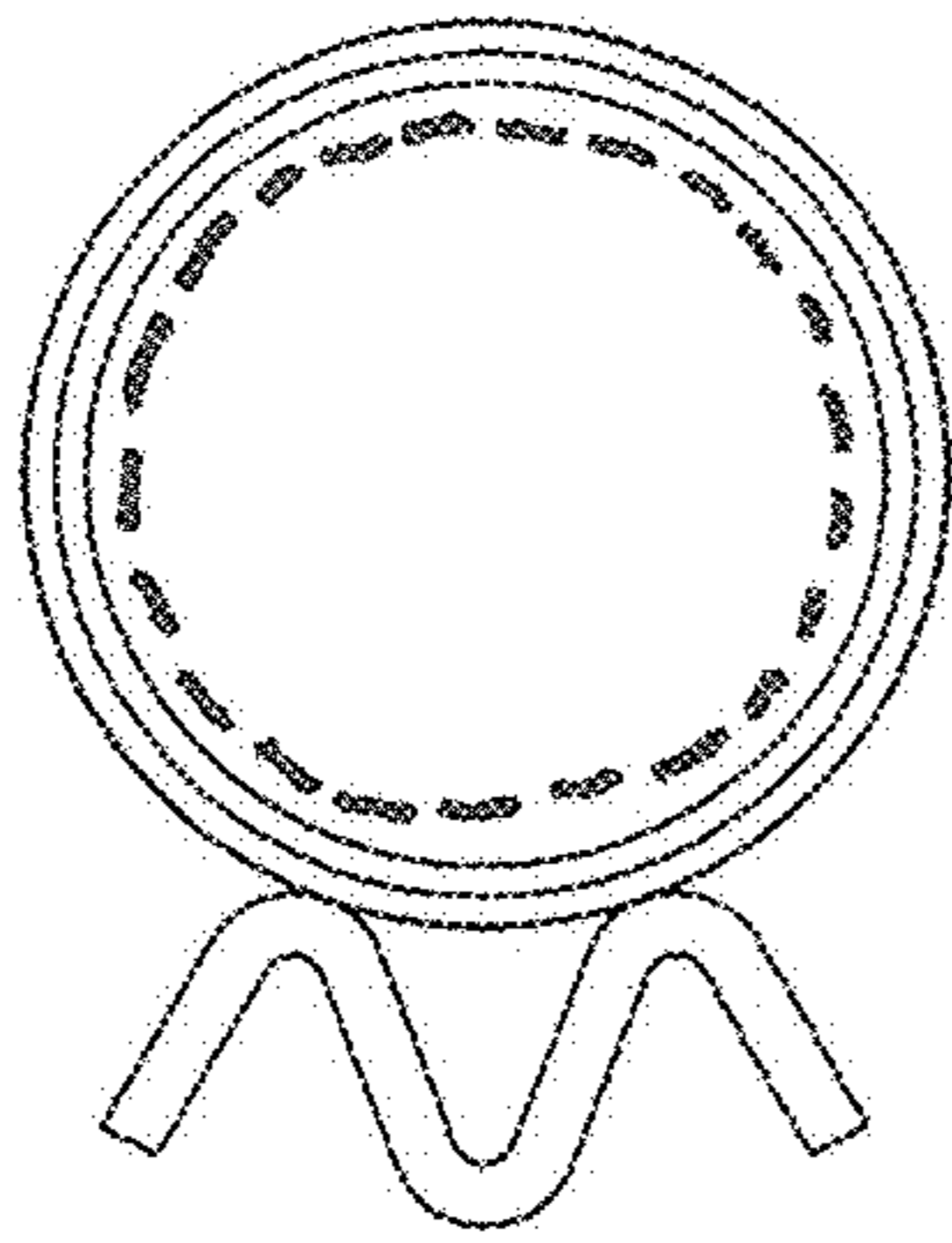


Figure 1

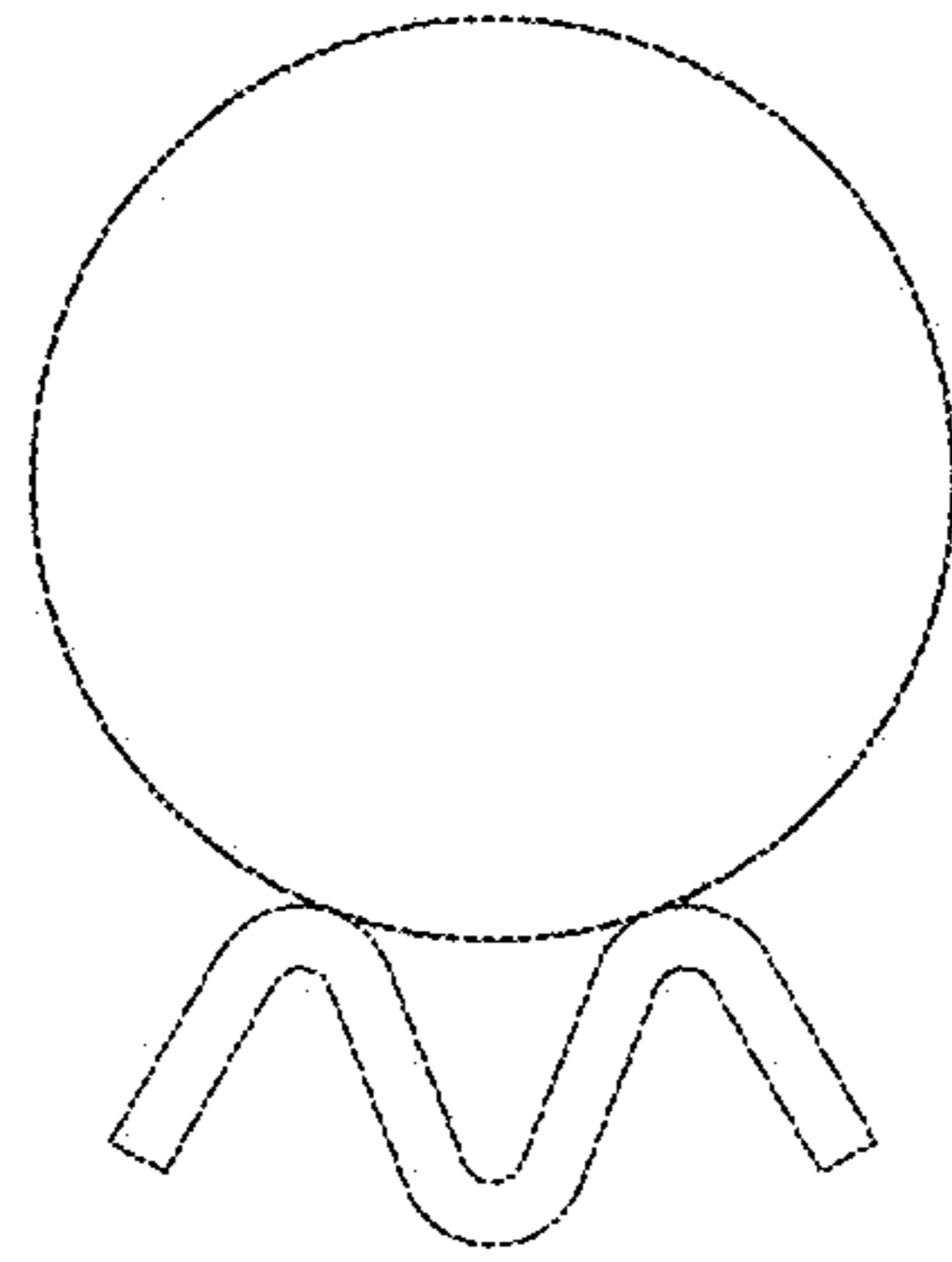


Figure 2

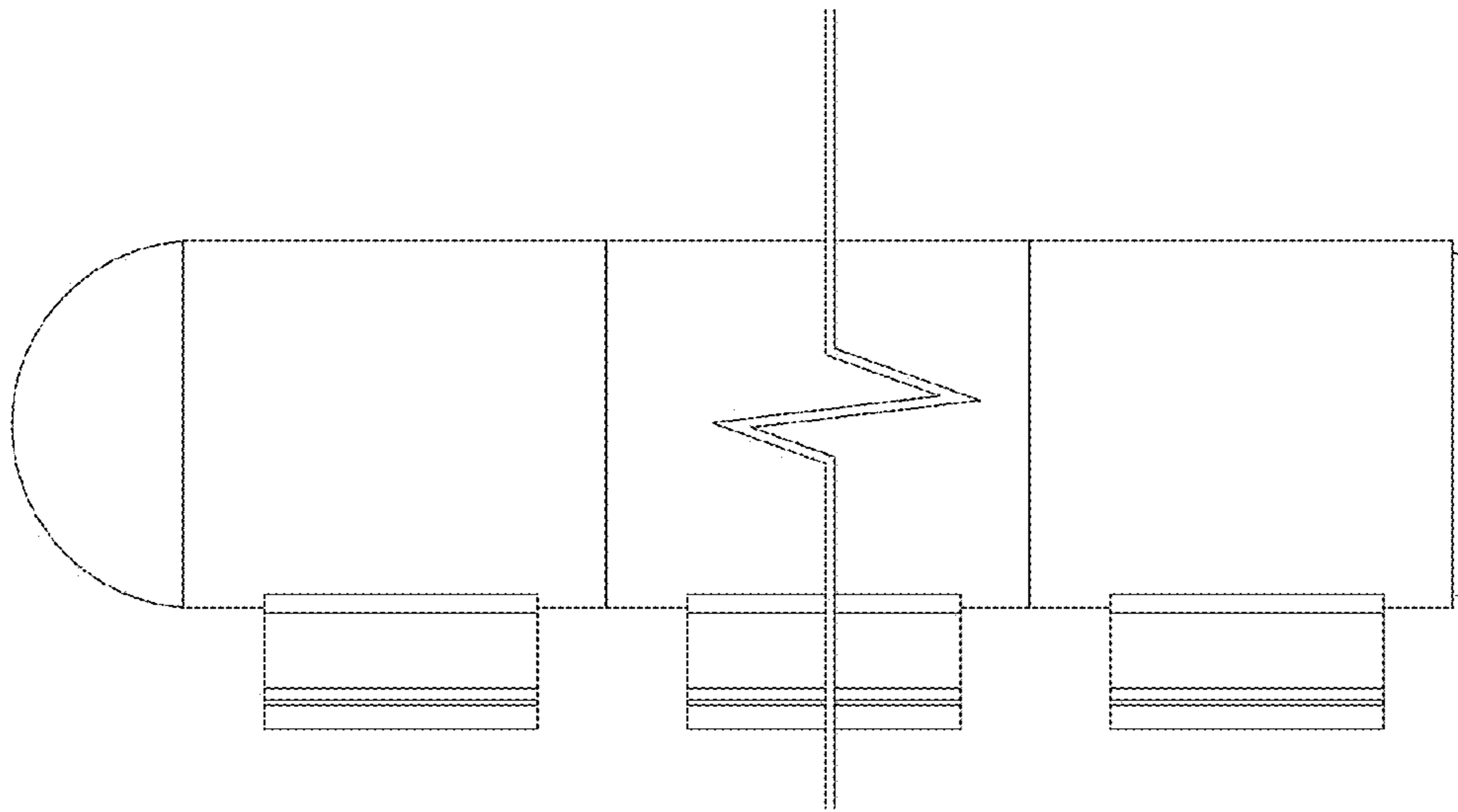


Figure 3

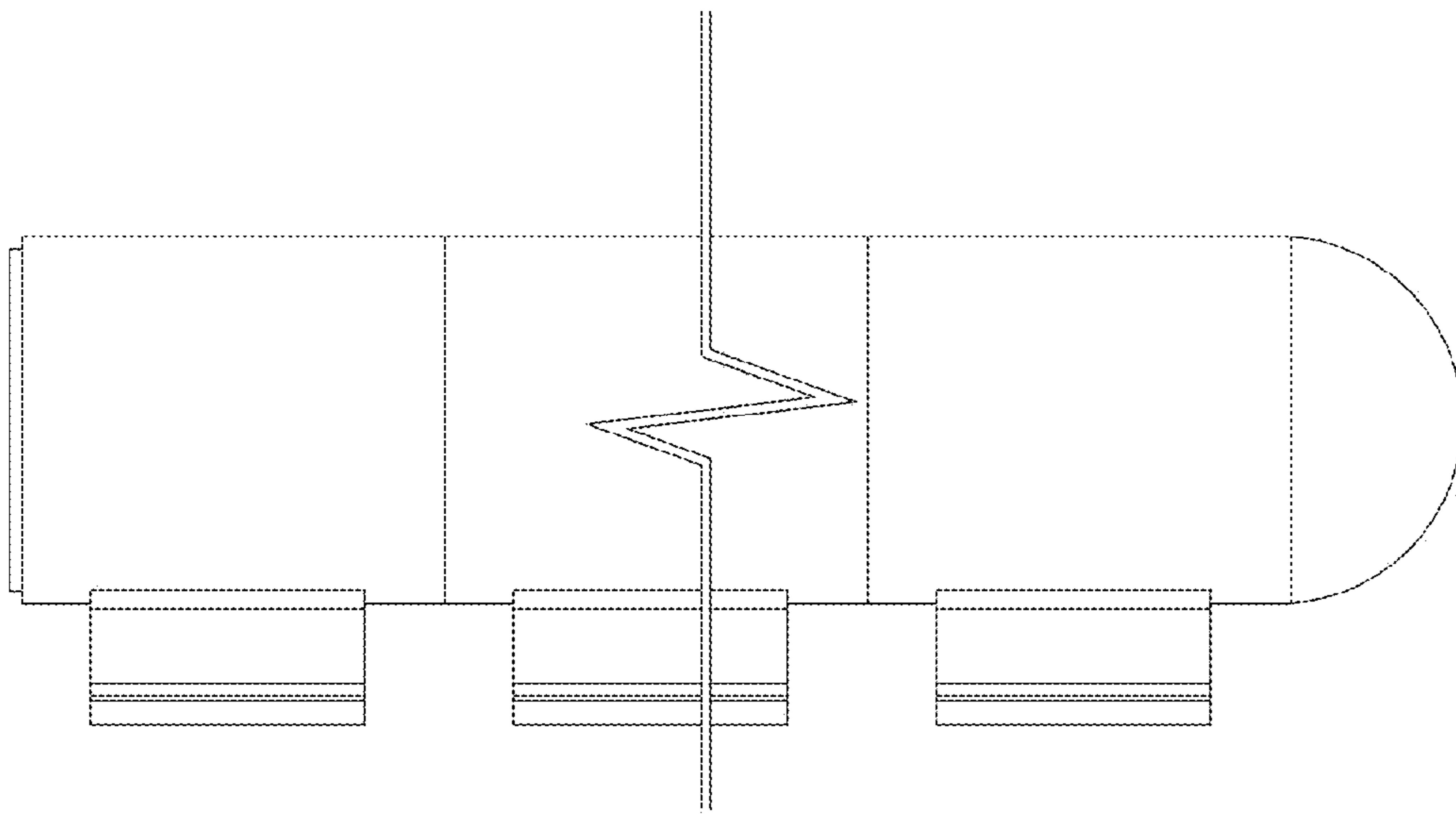


Figure 4

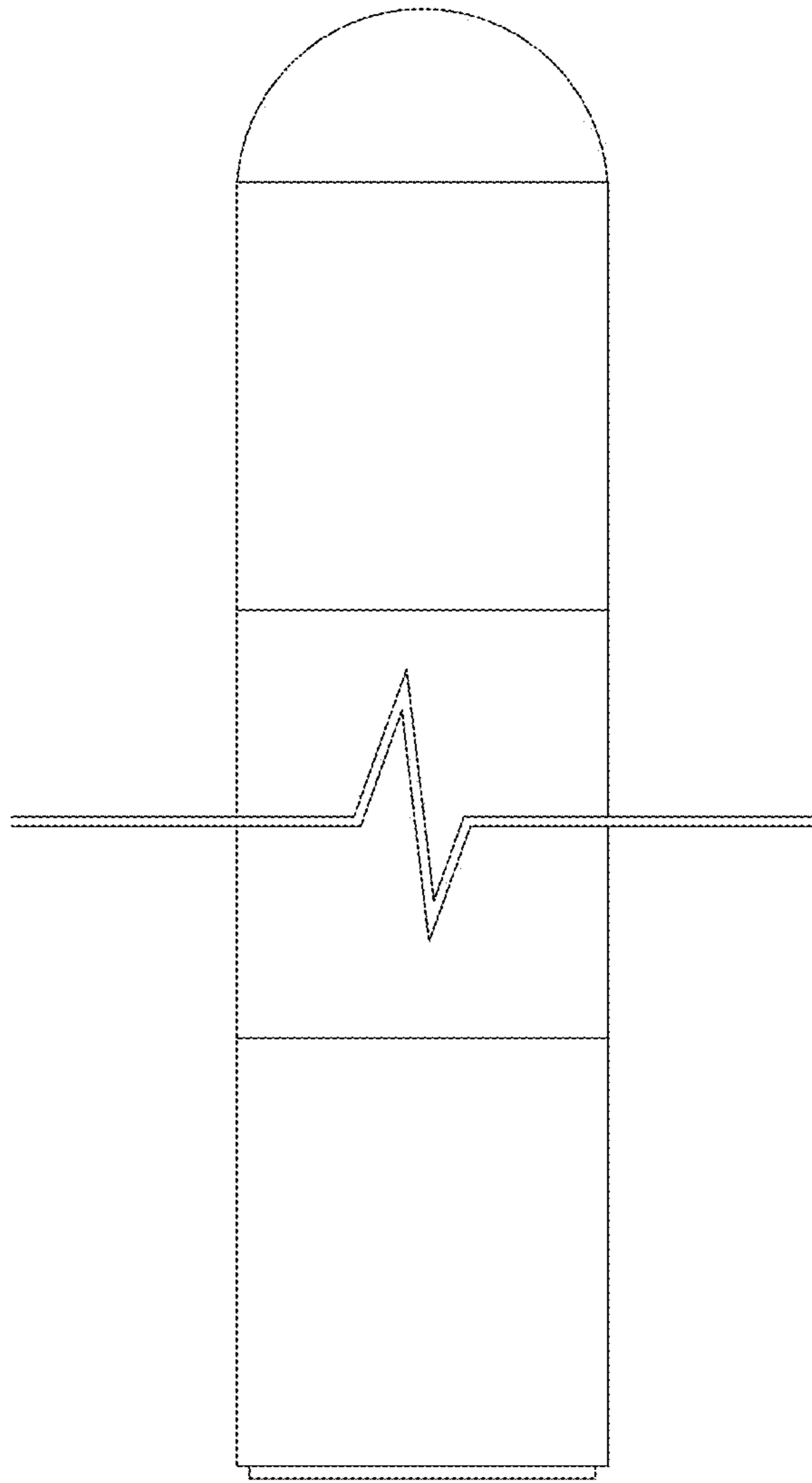


Figure 5

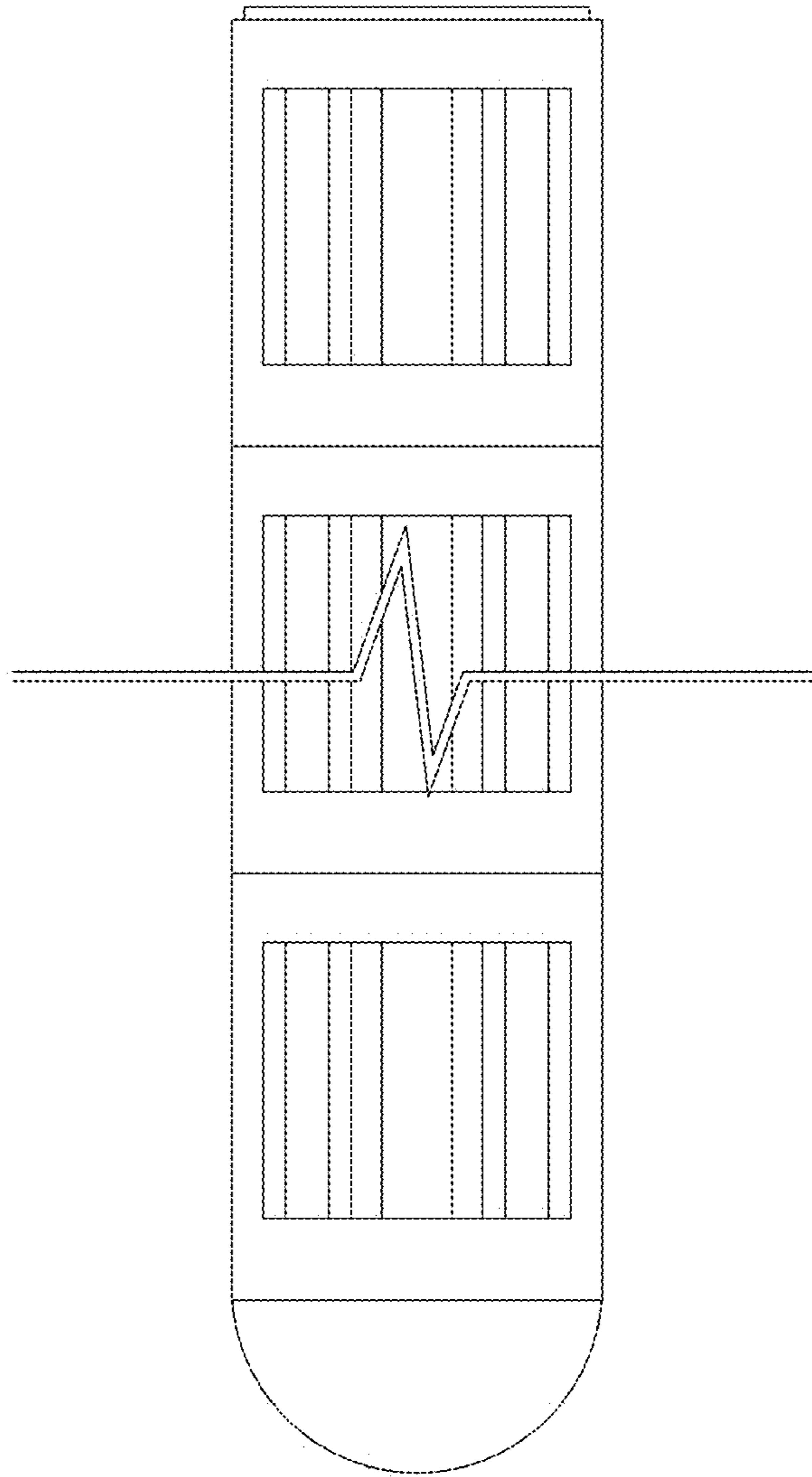


Figure 6

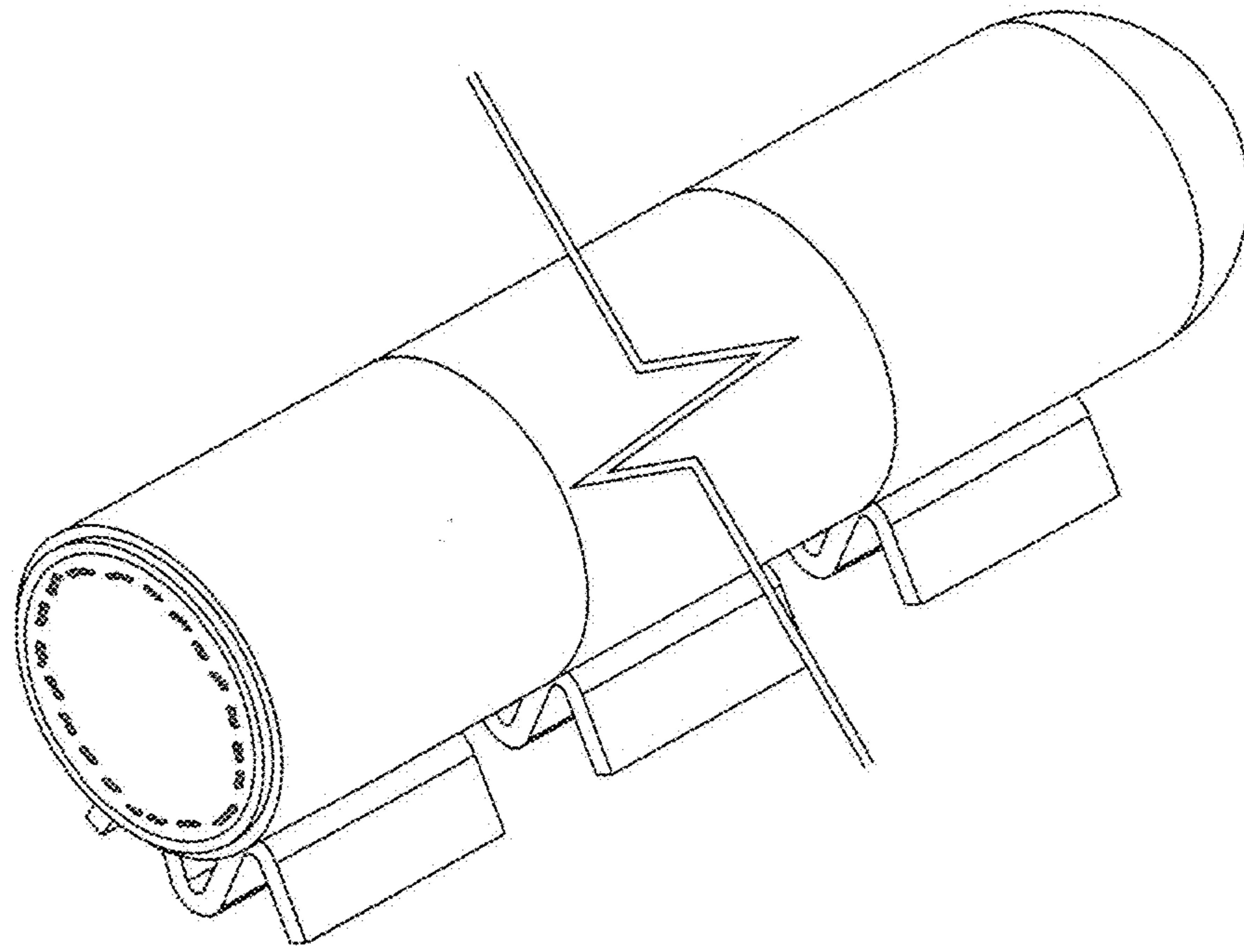


Figure 7

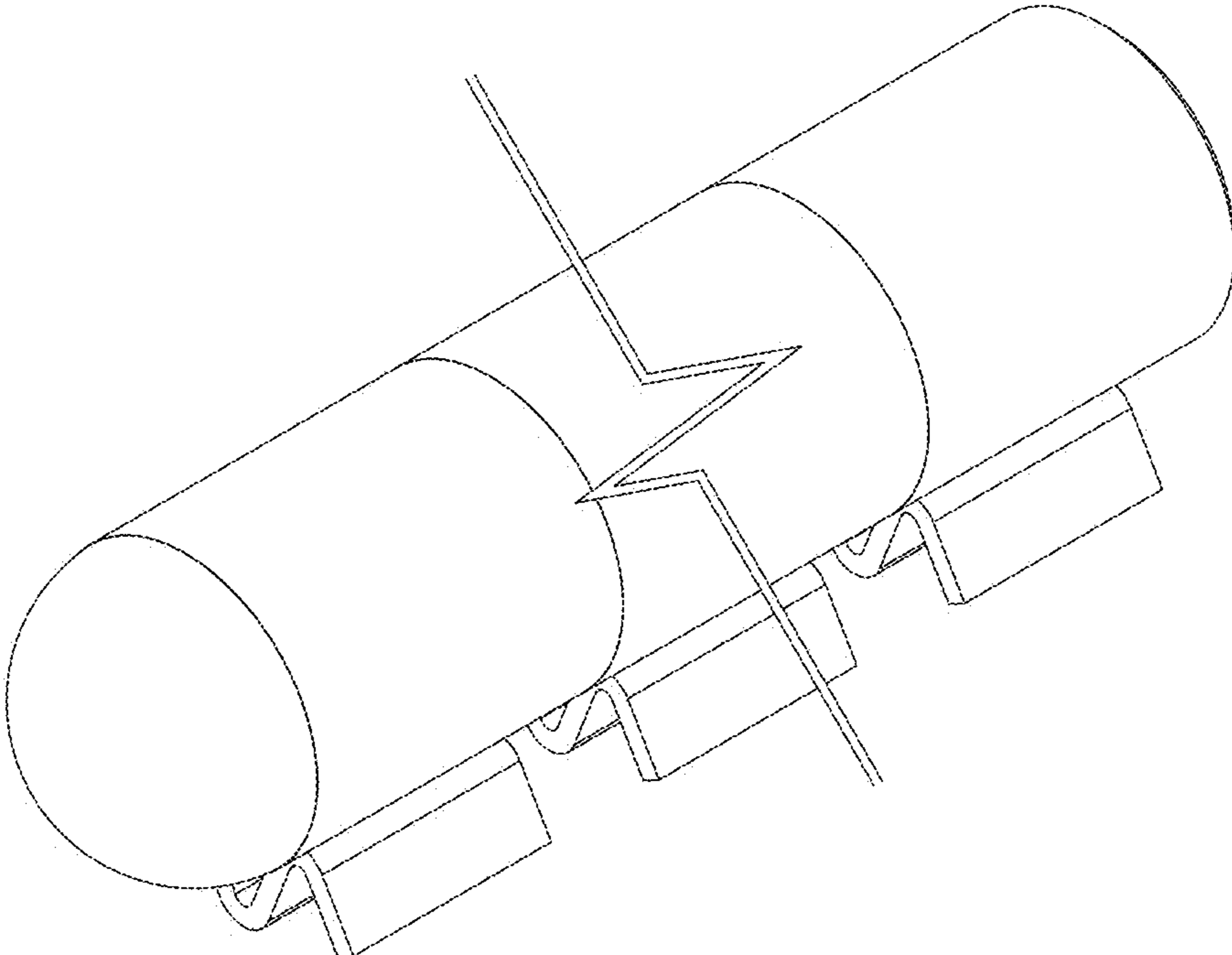


Figure 8