



US00D763416S

(12) **United States Design Patent**  
**Goad**

(10) **Patent No.:** **US D763,416 S**  
(45) **Date of Patent:** **\*\* Aug. 9, 2016**

- (54) **TOILET**
- (71) Applicant: **Kohler Co.**, Kohler, WI (US)
- (72) Inventor: **Robin A. Goad**, Sheboygan, WI (US)
- (73) Assignee: **KOHLER CO.**, Kohler, WI (US)
- (\*\*) Term: **14 Years**
- (21) Appl. No.: **29/525,740**
- (22) Filed: **May 1, 2015**
- (51) **LOC (10) Cl.** ..... **23-02**
- (52) **U.S. Cl.**  
USPC ..... **D23/301**
- (58) **Field of Classification Search**  
USPC ..... D23/295, 301, 303, 309, 313  
CPC ..... E03D 1/00; E03D 1/01; E03D 1/012;  
E03D 1/26; E03D 1/28  
See application file for complete search history.

(56) **References Cited**

**U.S. PATENT DOCUMENTS**

D268,779 S 4/1983 Doman  
D332,137 S 12/1992 Kohler, Jr. et al.

(Continued)

**OTHER PUBLICATIONS**

Kohler 2014 Fixtures Price Book, pp. 314-336.

*Primary Examiner* — Robert Delehanty

(74) *Attorney, Agent, or Firm* — Foley & Lardner LLP

(57) **CLAIM**

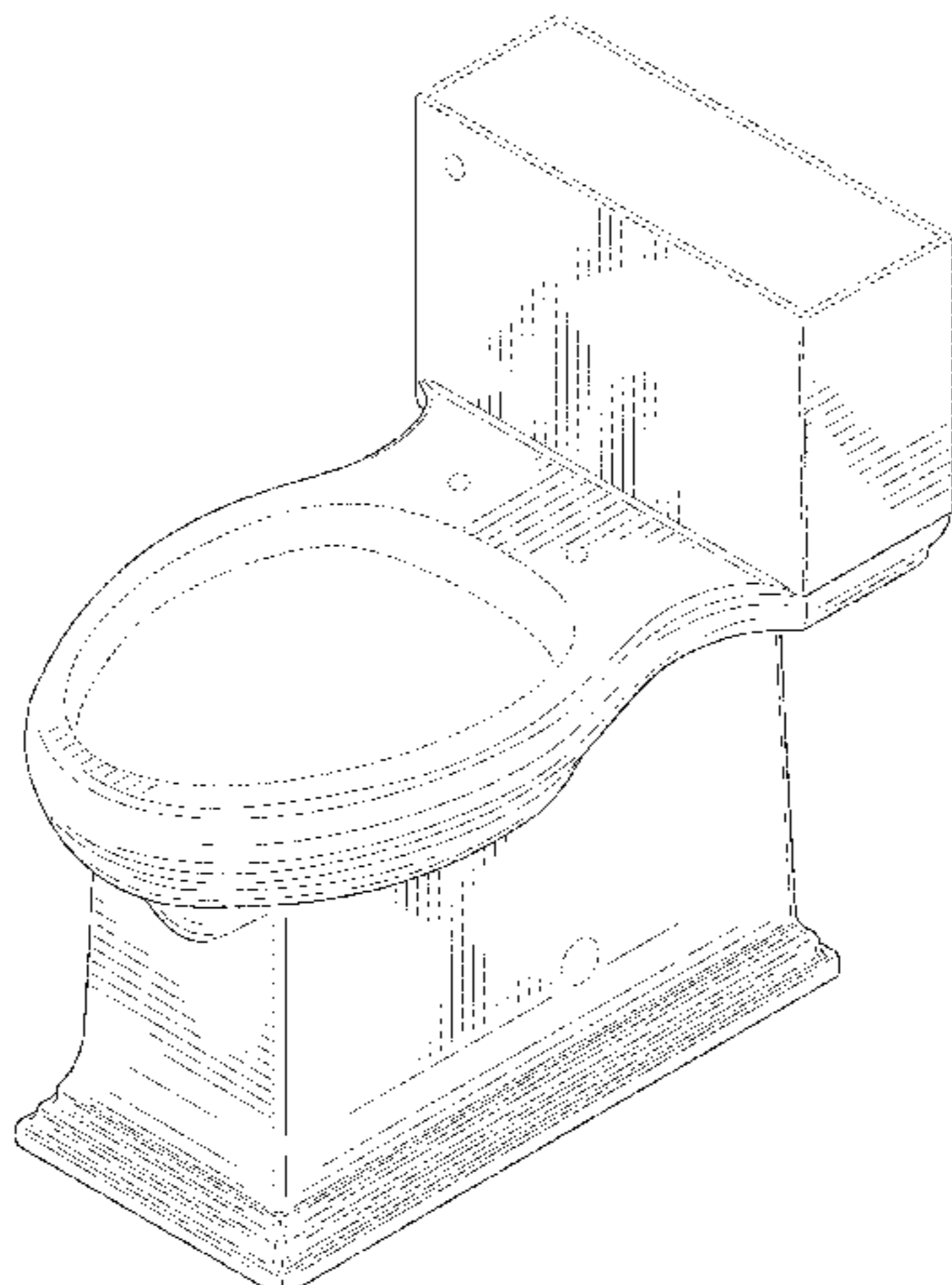
I claim the ornamental design for a toilet, as shown and described.

**DESCRIPTION**

FIG. 1 is a perspective view of an embodiment of the claimed design;  
FIG. 2 is a front plan view of the design of FIG. 1;  
FIG. 3 is a rear plan view of the design of FIG. 1;  
FIG. 4 is a left side plan view of the design of FIG. 1;

FIG. 5 is a right side plan view of the design of FIG. 1;  
FIG. 6 is a top plan view of the design of FIG. 1;  
FIG. 7 is a bottom plan view of the design of FIG. 1;  
FIG. 8 is a perspective view of another embodiment of the claimed design;  
FIG. 9 is a front plan view of the design of FIG. 8;  
FIG. 10 is a rear plan view of the design of FIG. 8;  
FIG. 11 is a left side plan view of the design of FIG. 8;  
FIG. 12 is a right side plan view of the design of FIG. 8;  
FIG. 13 is a top plan view of the design of FIG. 8;  
FIG. 14 is a bottom plan view of the design of FIG. 8;  
FIG. 15 is a cross-sectional view of section 15-15 shown in FIG. 11;  
FIG. 16 is a perspective view of another embodiment of the claimed design;  
FIG. 17 is a front plan view of the design of FIG. 16;  
FIG. 18 is a rear plan view of the design of FIG. 16;  
FIG. 19 is a left side plan view of the design of FIG. 16;  
FIG. 20 is a right side plan view of the design of FIG. 16;  
FIG. 21 is a top plan view of the design of FIG. 16;  
FIG. 22 is a bottom plan view of the design of FIG. 16;  
FIG. 23 is a perspective view of another embodiment of the claimed design;  
FIG. 24 is a front plan view of the design of FIG. 23;  
FIG. 25 is a rear plan view of the design of FIG. 23;  
FIG. 26 is a left side plan view of the design of FIG. 23;  
FIG. 27 is a right side plan view of the design of FIG. 23;  
FIG. 28 is a top plan view of the design of FIG. 23; and  
FIG. 29 is a bottom plan view of the design of FIG. 23.  
The ornamental design which is claimed is shown in solid lines in the drawings. The broken lines in the drawings are for illustrative purposes only and form no part of the claimed design. Broken lines formed by equal length dashes show unclaimed portions of the design. Broken lines formed of unequal length dashes (i.e., dash-dot) show boundaries between claimed and unclaimed portions of the design. Dashed lines having a jagged element are not part of the claimed design and show that no particular length of the portion is claimed, such that a length of the portion could be shorter or longer. Portions shown in stipple shading as opposed to line shading show contrasting surfaces unlimited by colors.

**1 Claim, 29 Drawing Sheets**



(56)

**References Cited**

U.S. PATENT DOCUMENTS

D387,858 S 12/1997 McKeone  
D415,563 S 10/1999 McKeone  
D441,437 S 5/2001 McKeone  
D444,864 S 7/2001 McKeone  
D451,175 S 11/2001 Smith  
D455,822 S 4/2002 McKeone  
D484,579 S 12/2003 Bennie

D496,442 S 9/2004 Bates  
D496,443 S 9/2004 Bates  
D536,428 S 2/2007 Kohler, Jr. et al.  
D536,771 S 2/2007 Chenesseau  
D542,390 S \* 5/2007 Bates ..... D23/295  
D657,852 S 4/2012 Vanderheyden et al.  
D670,368 S \* 11/2012 Vanderheyden ..... D23/309  
D725,248 S \* 3/2015 Bates ..... D23/309  
D743,516 S \* 11/2015 Bates ..... D23/301

\* cited by examiner

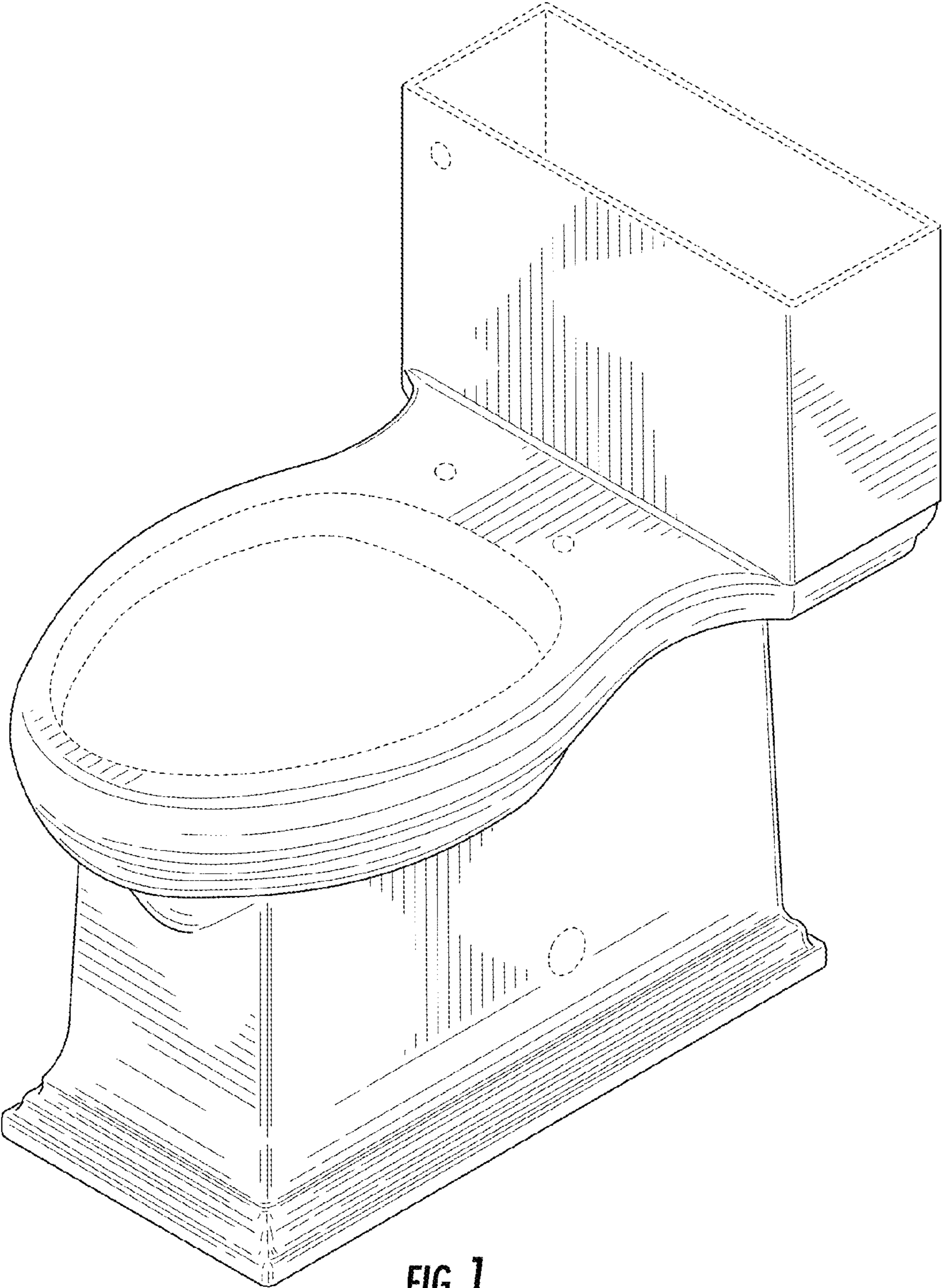


FIG. 1

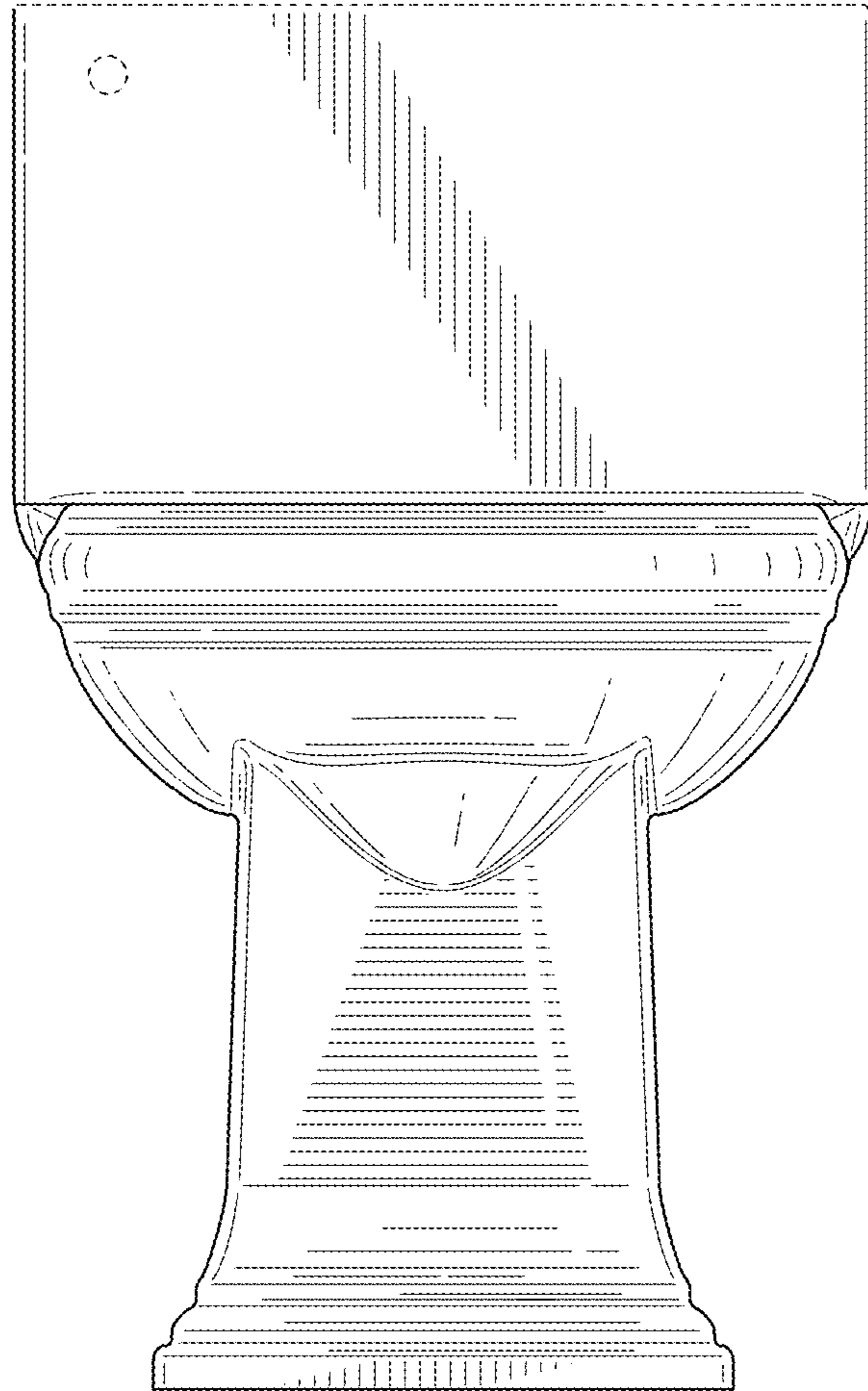
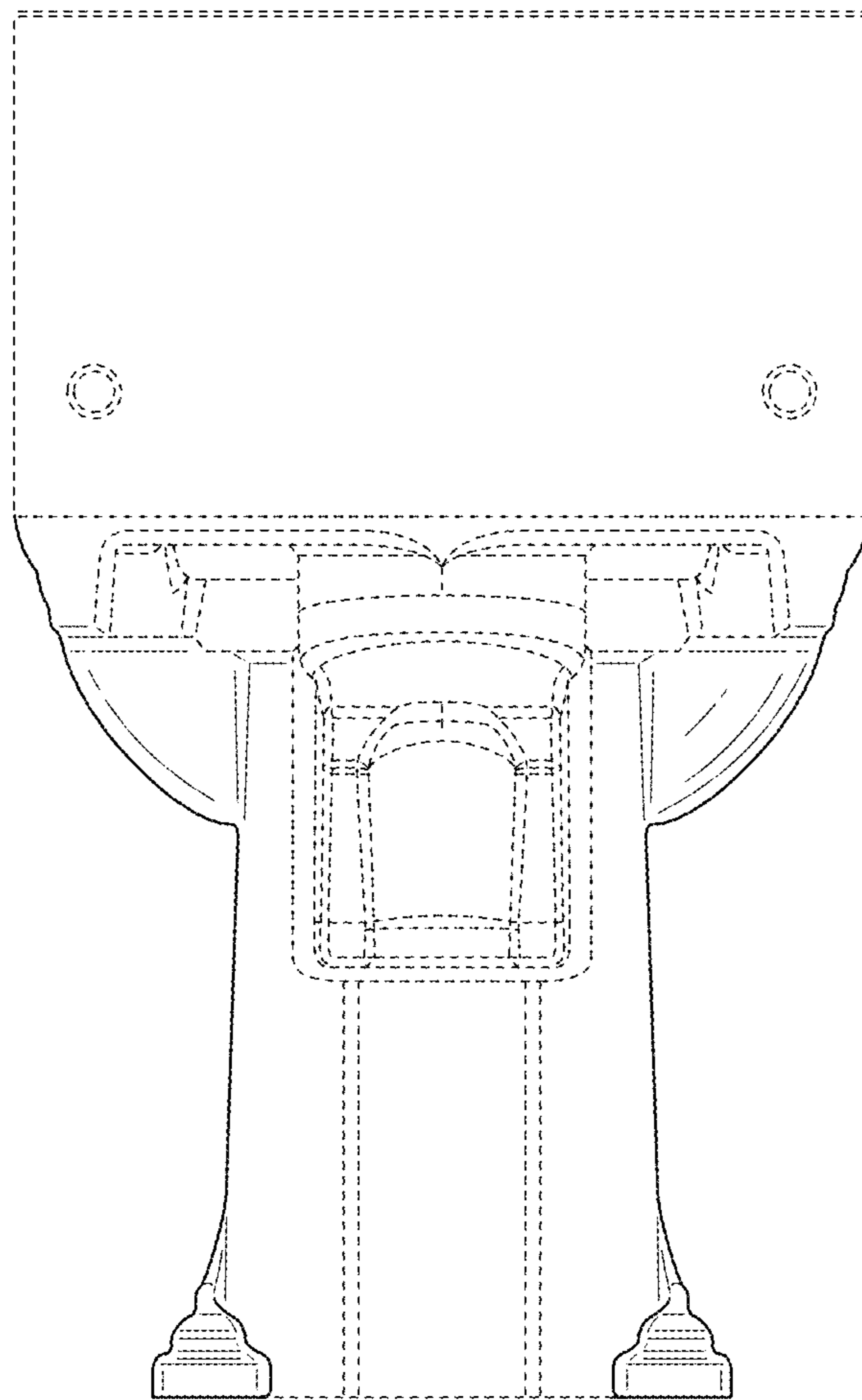


FIG. 2



**FIG. 3**

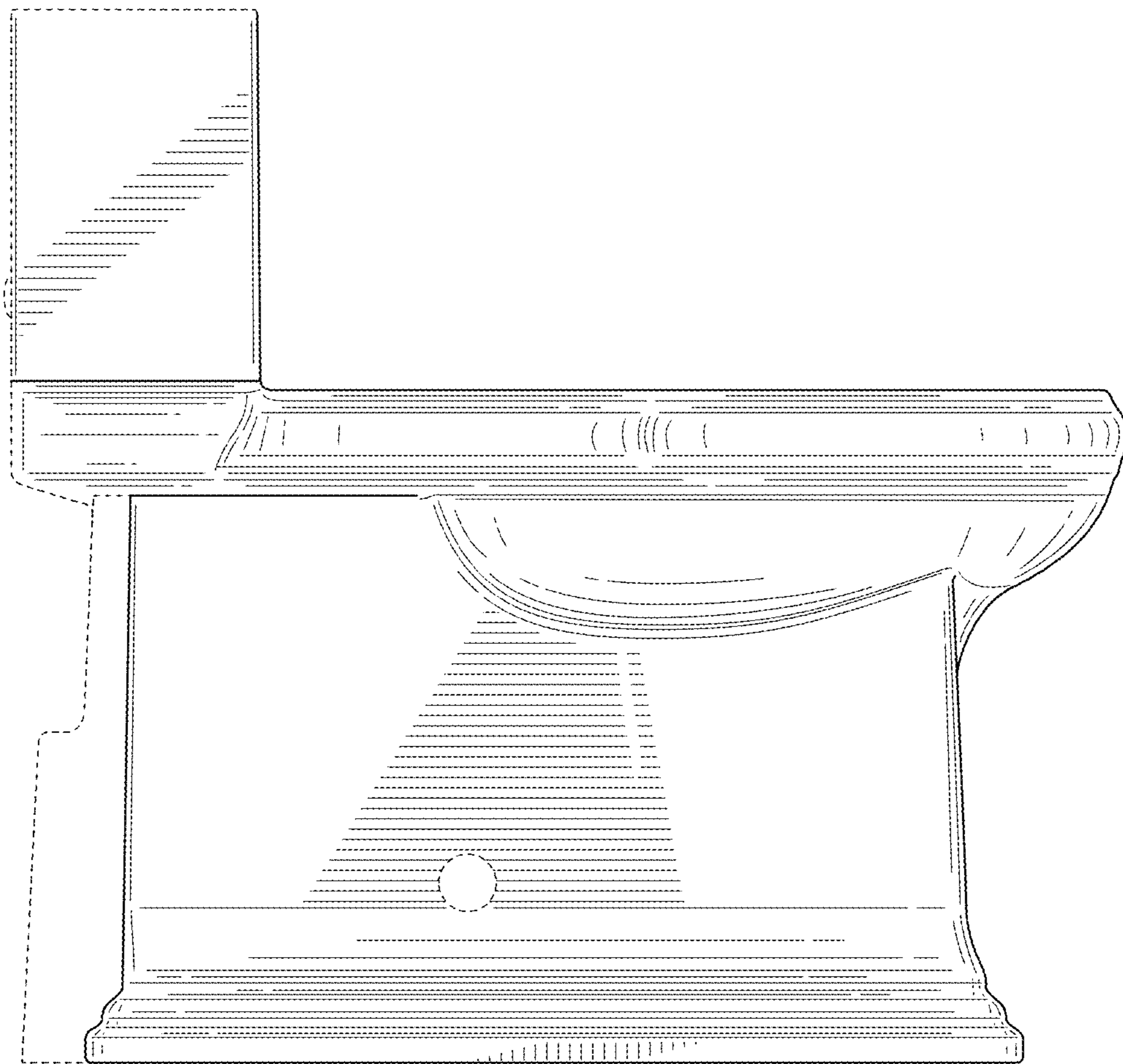


FIG. 4

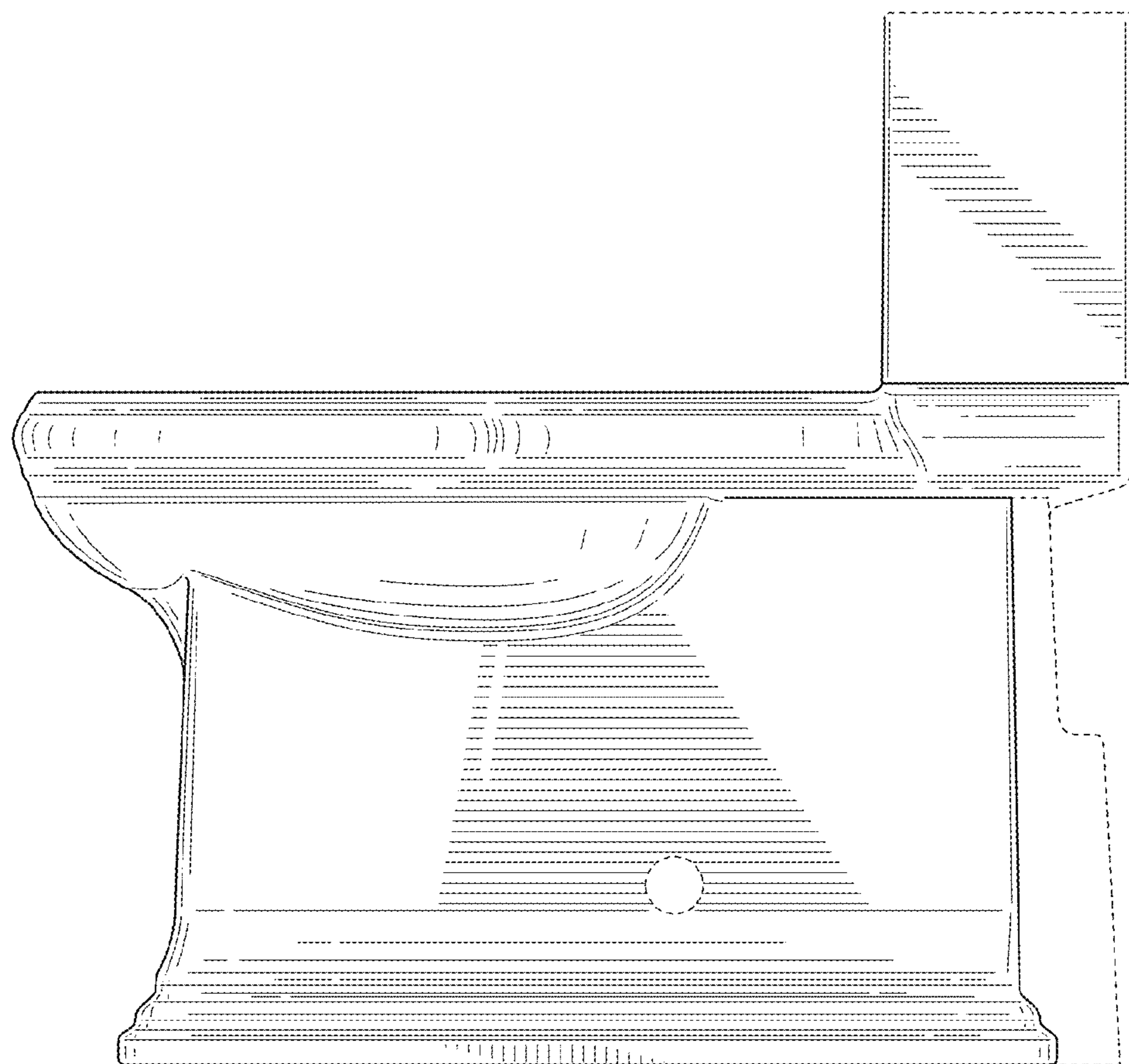
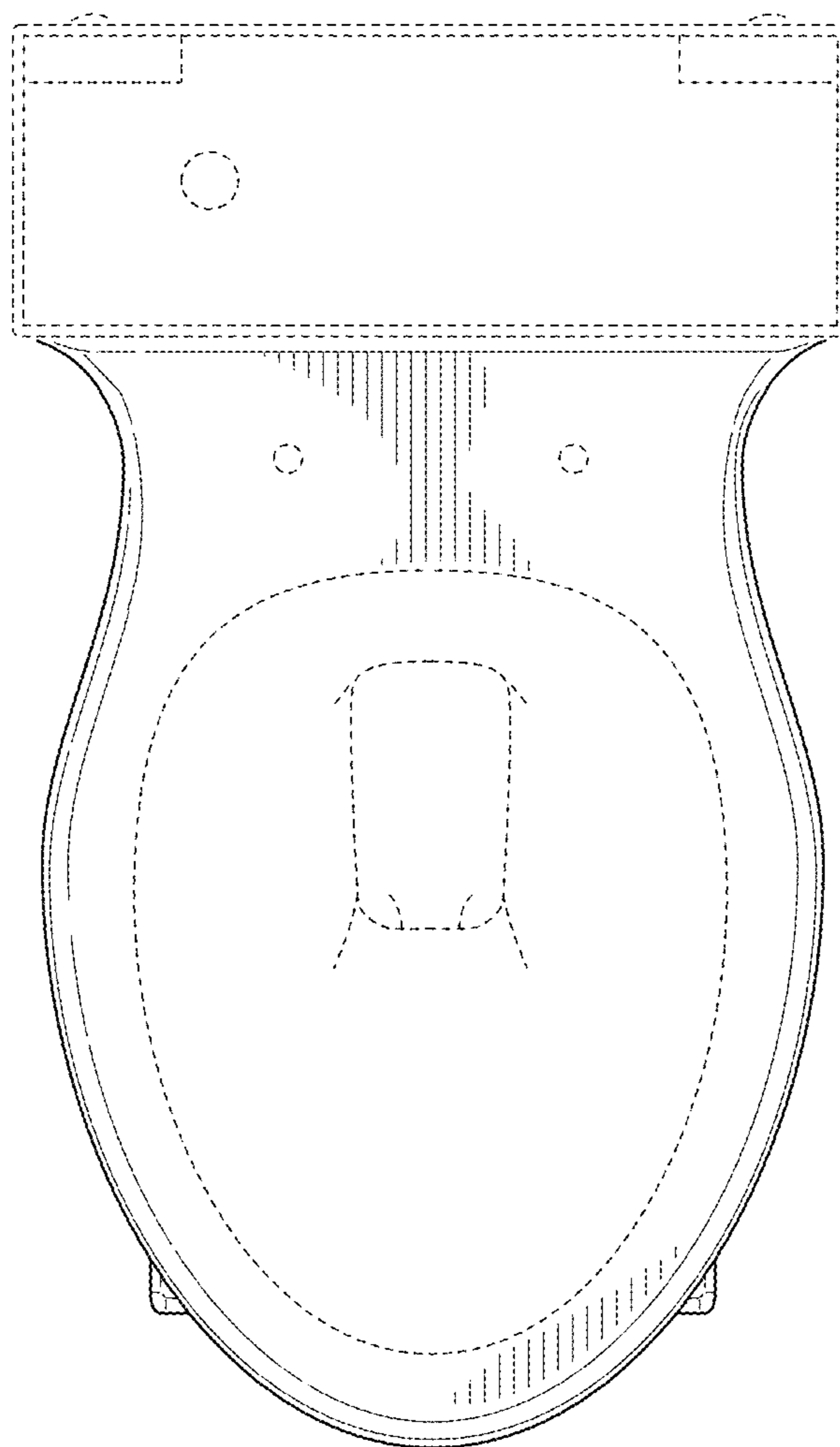
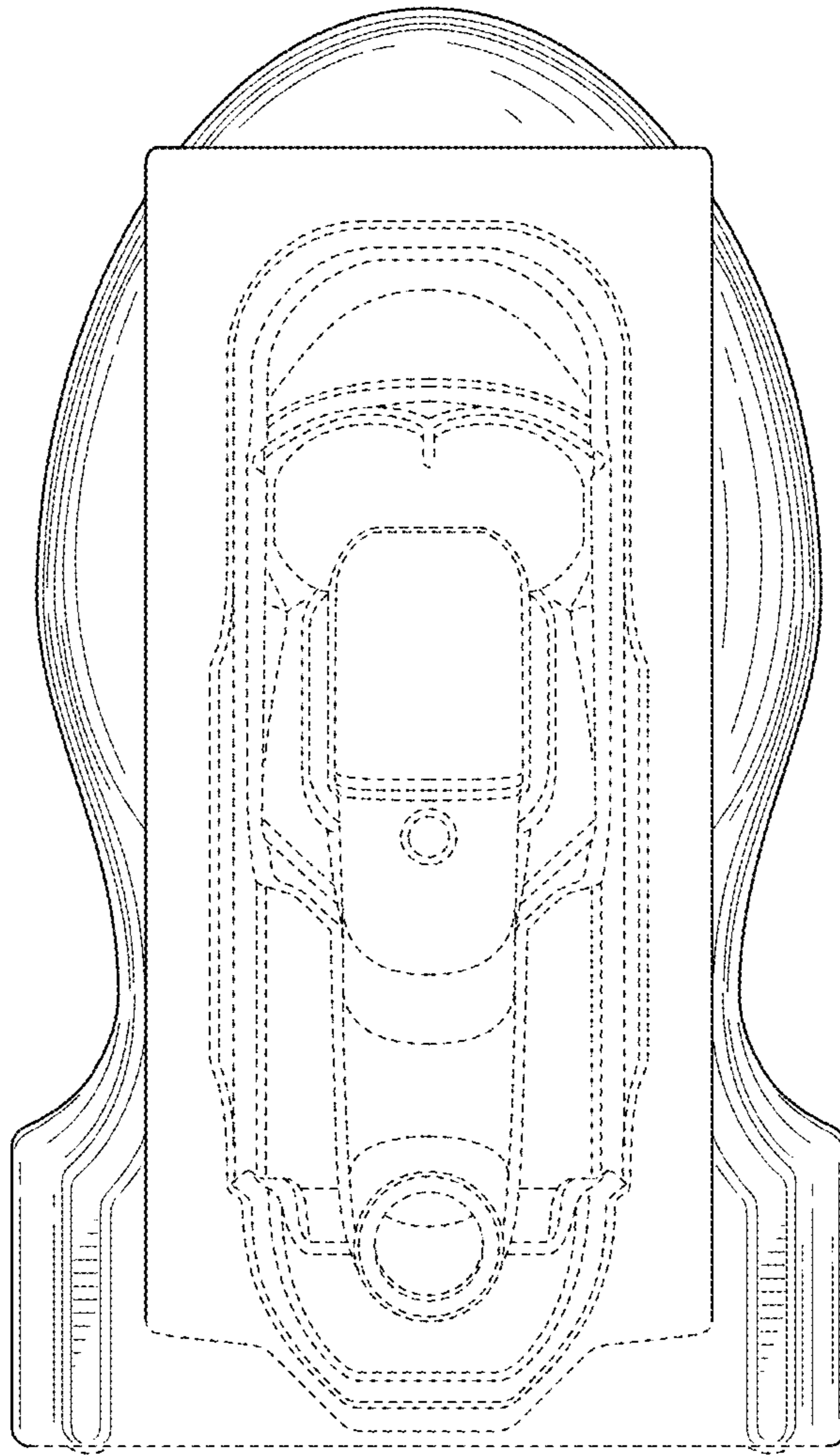


FIG. 5

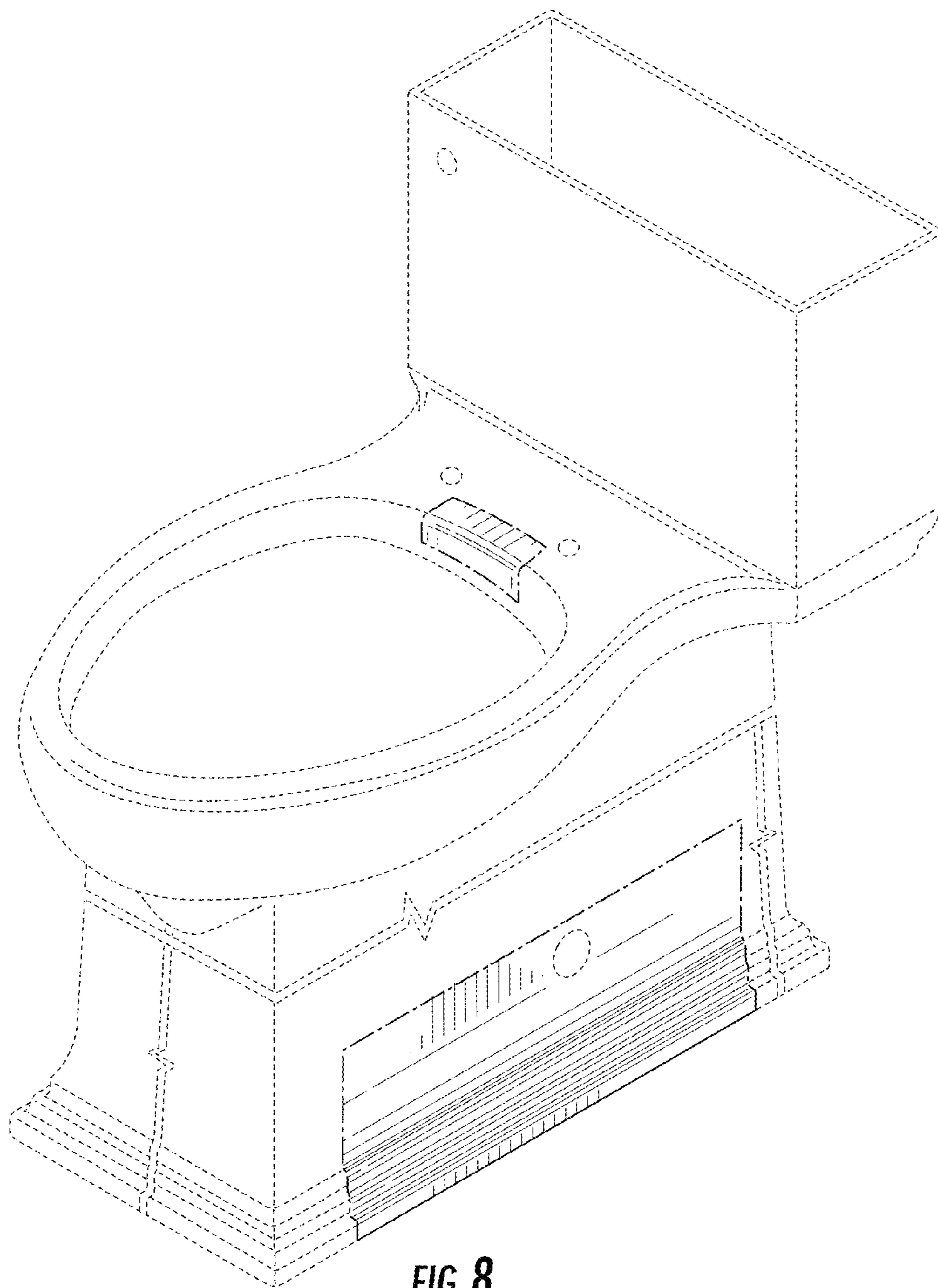


**FIG. 6**

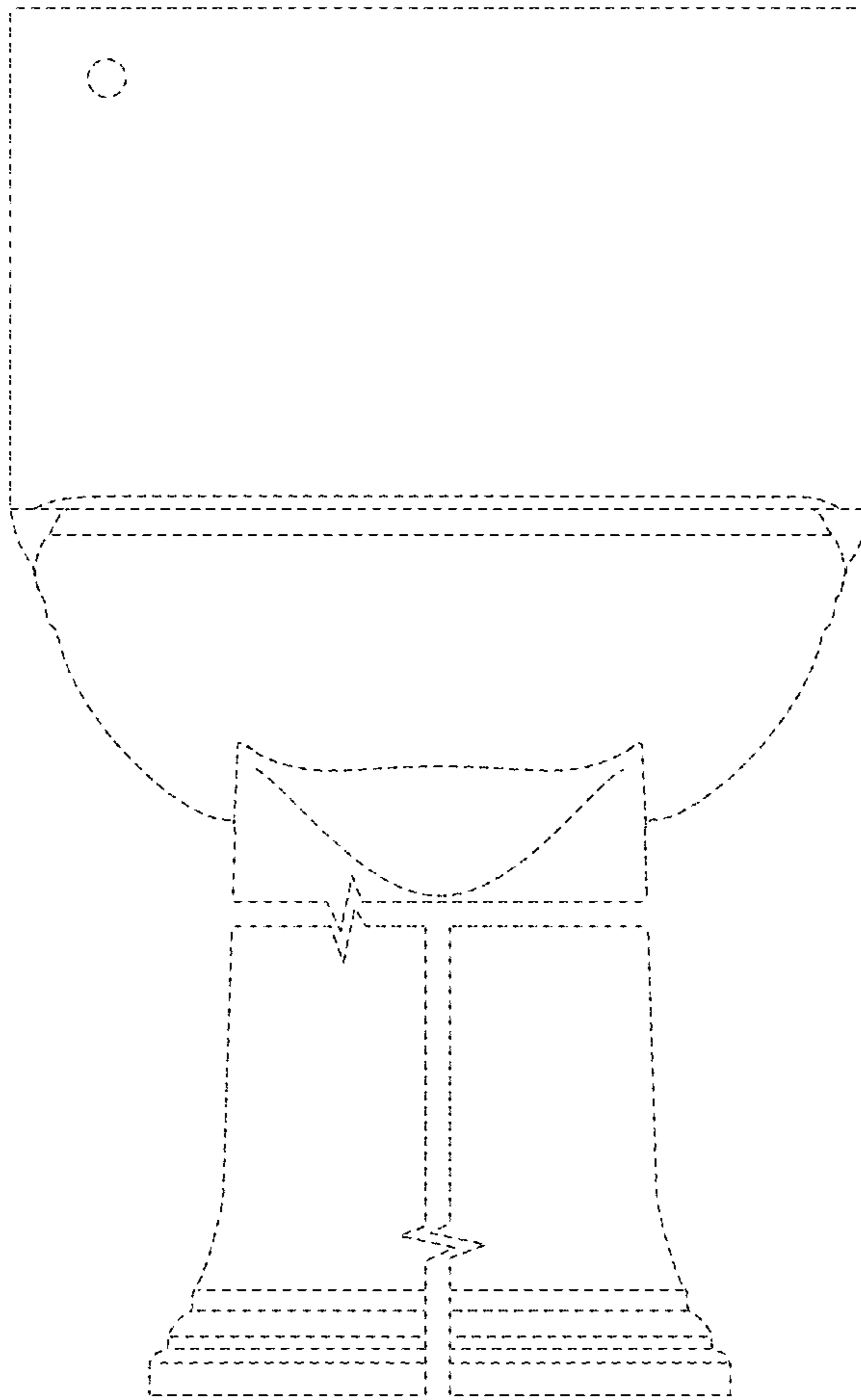




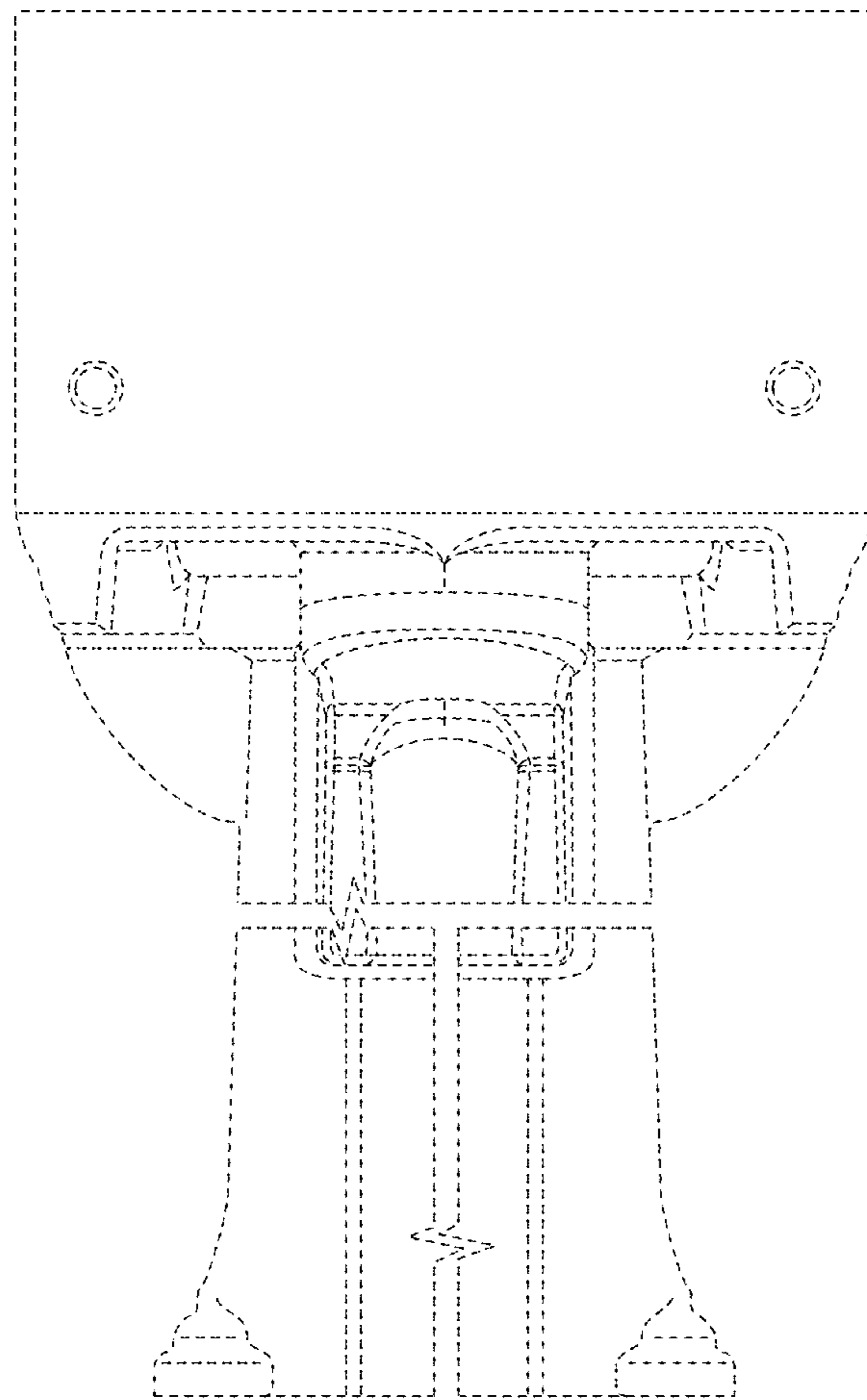
**FIG. 7**



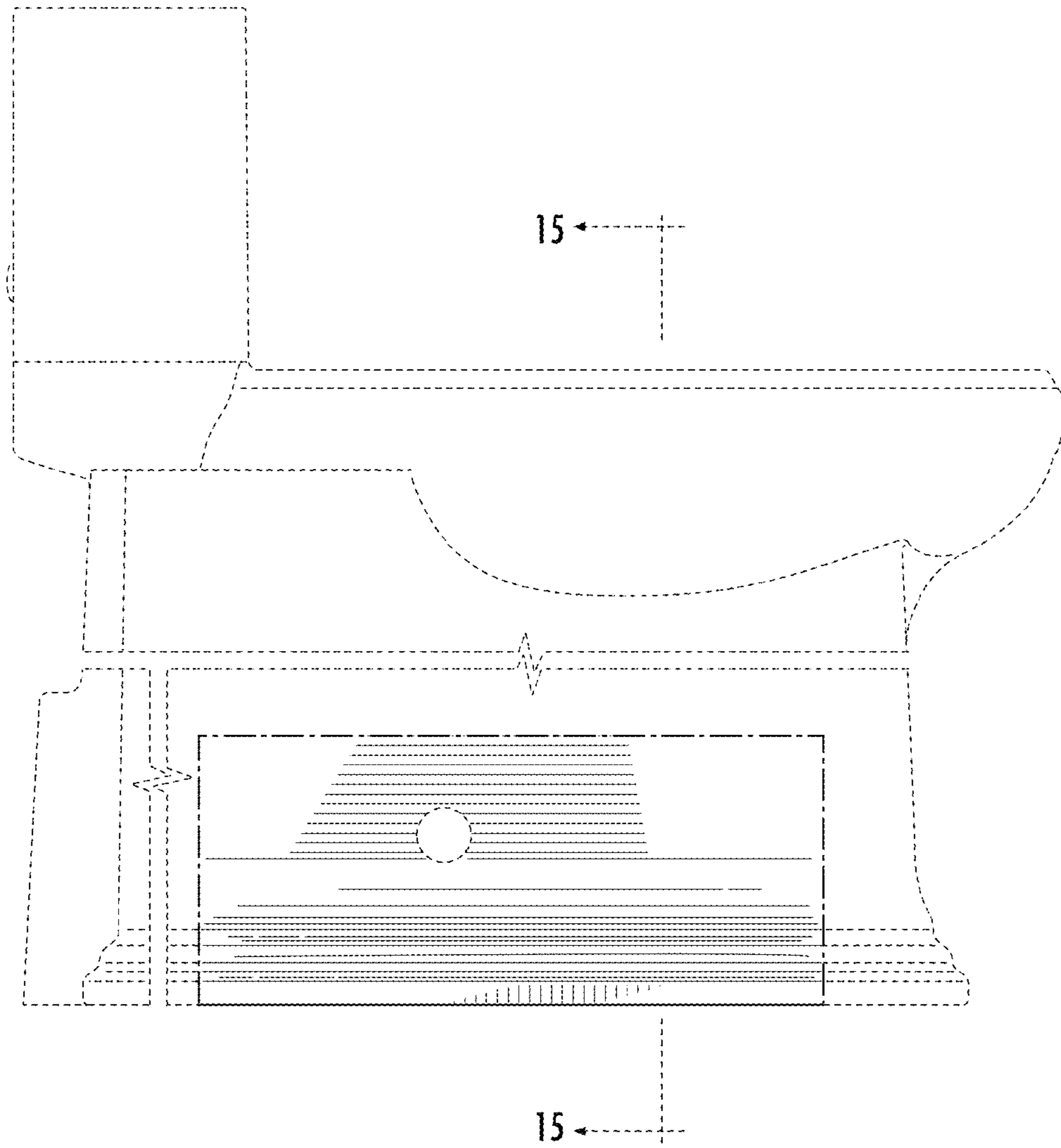
**FIG. 8**



**FIG. 9**



**FIG. 10**



**FIG. 11**

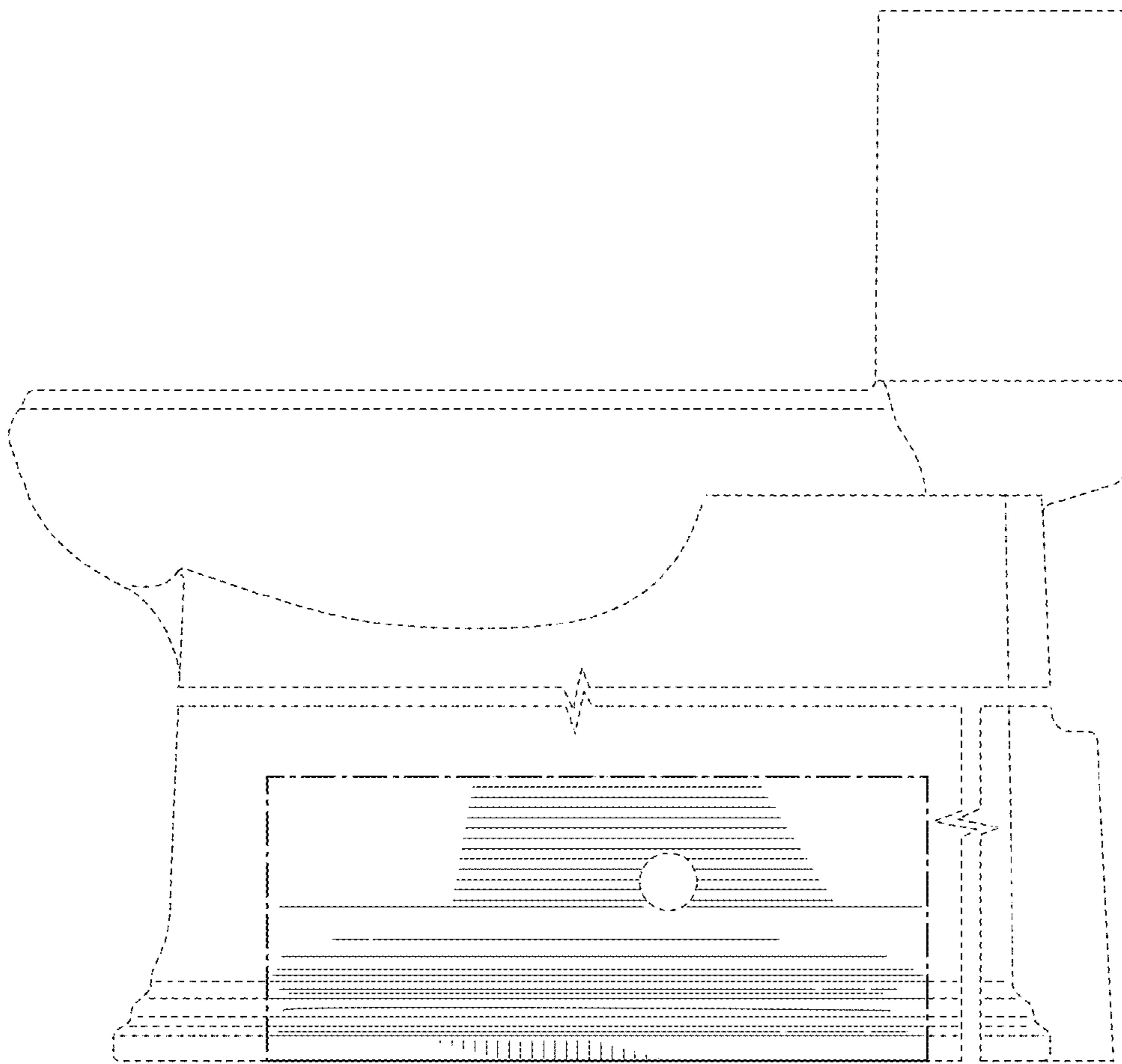
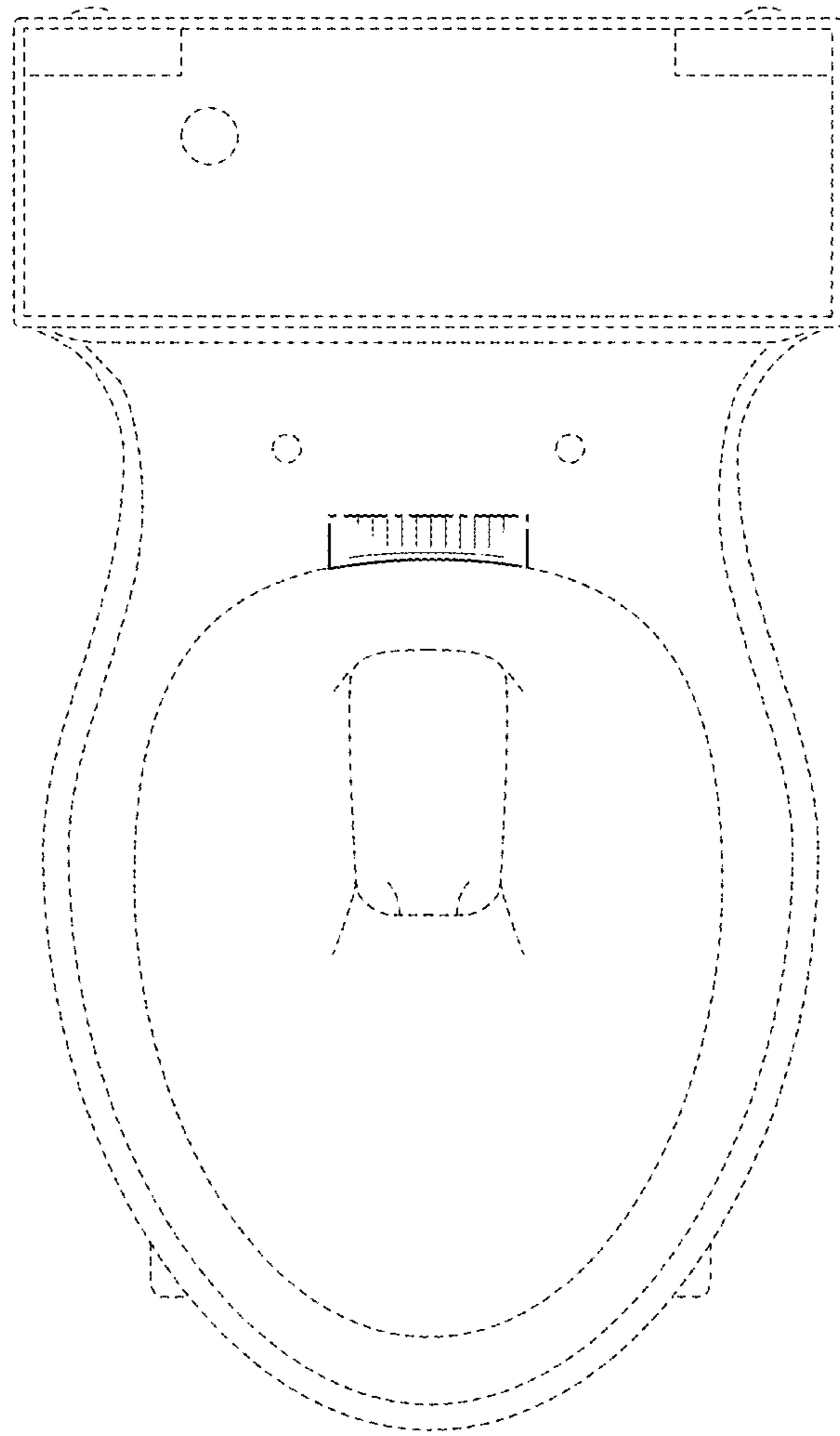
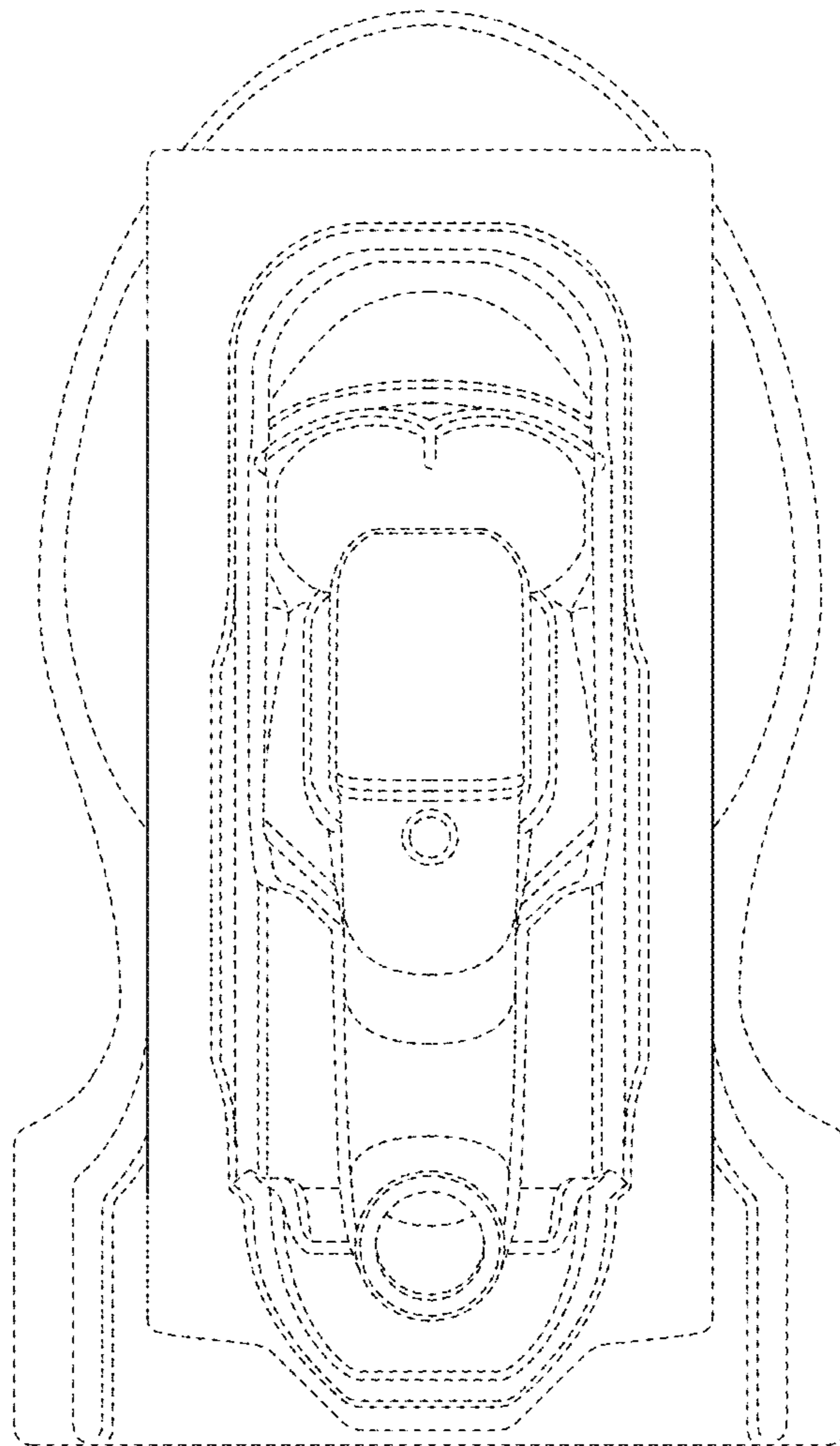


FIG. 12

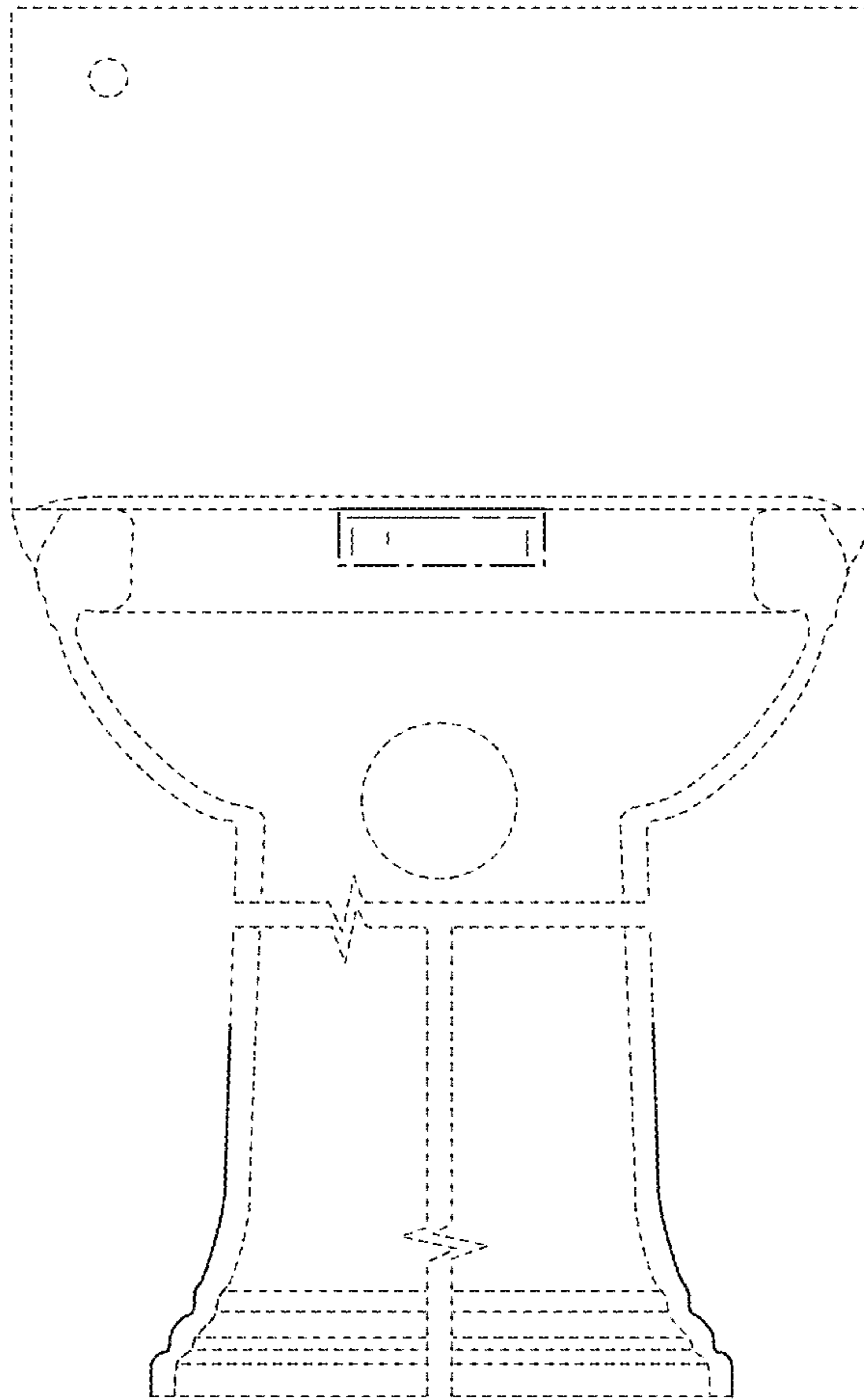


**FIG. 13**



**FIG. 14**





**FIG. 15**

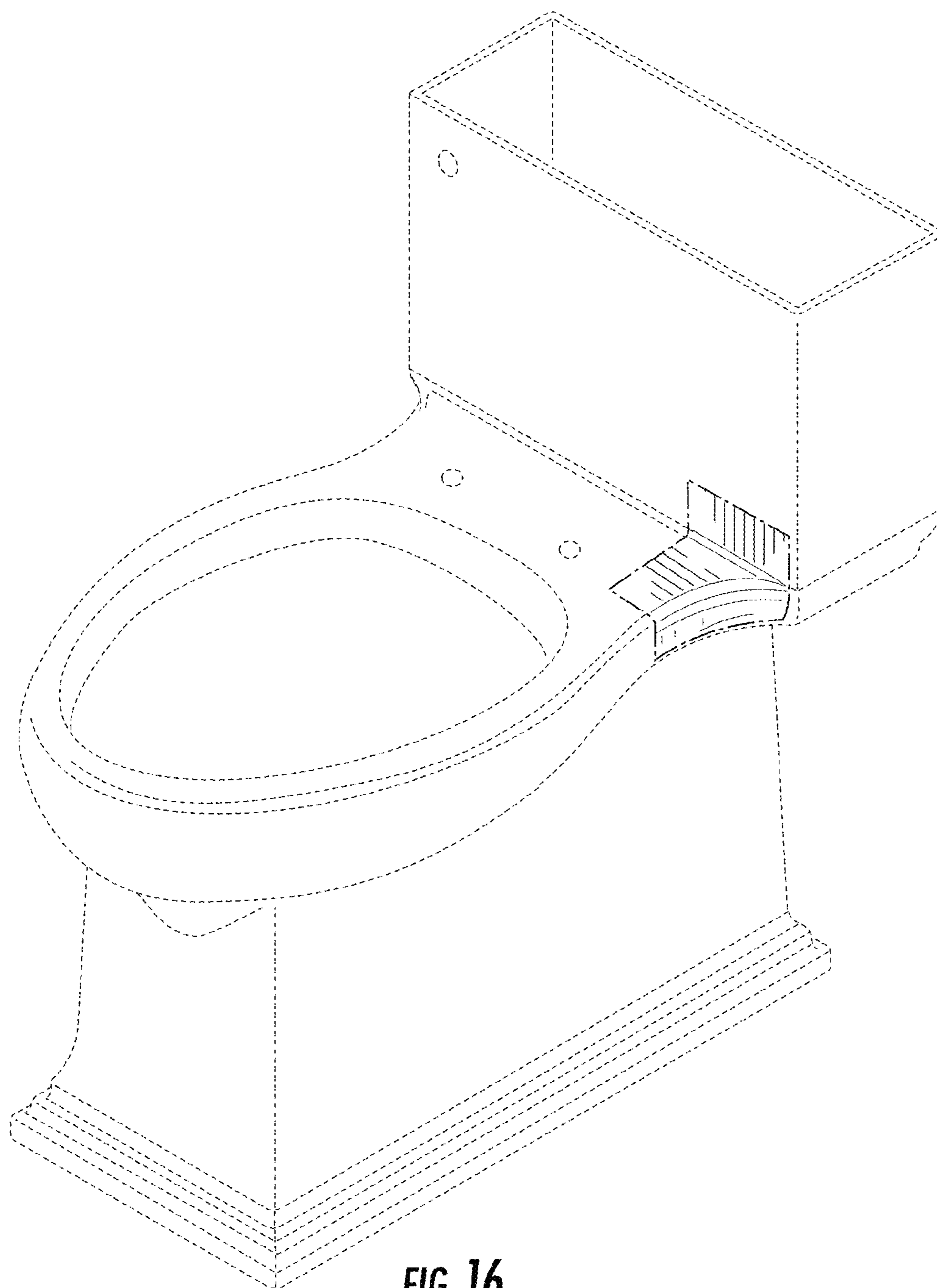


FIG. 16

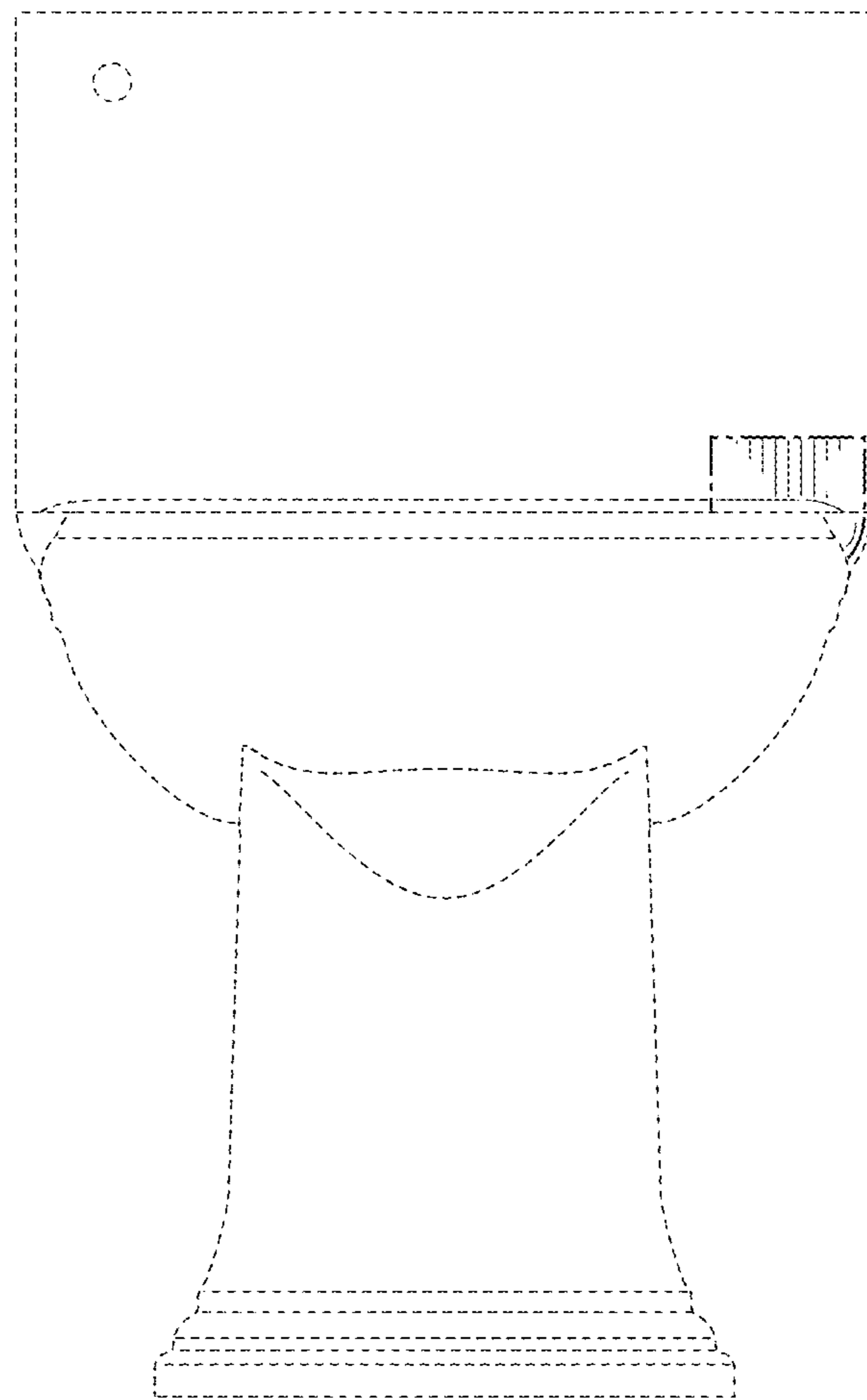
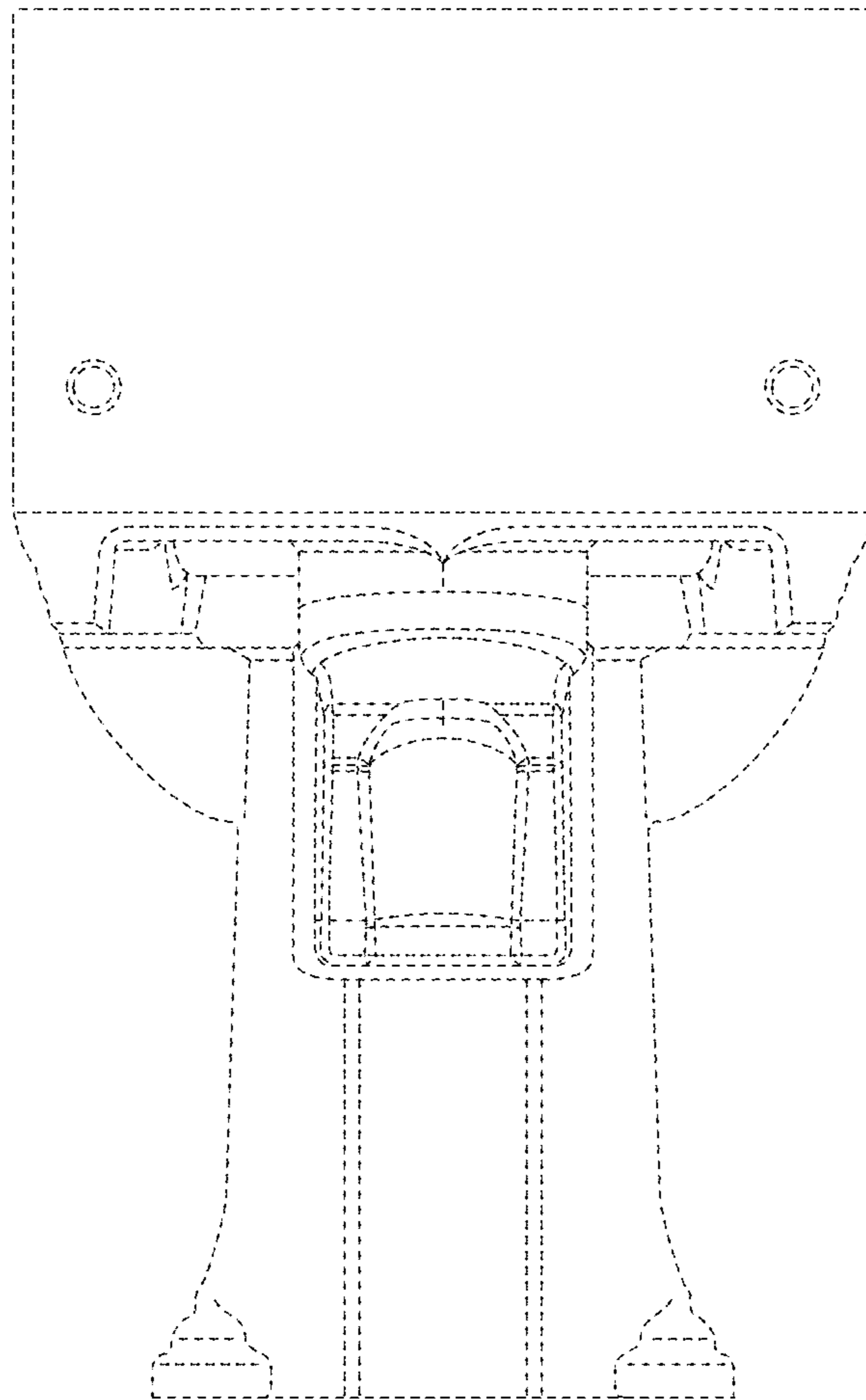
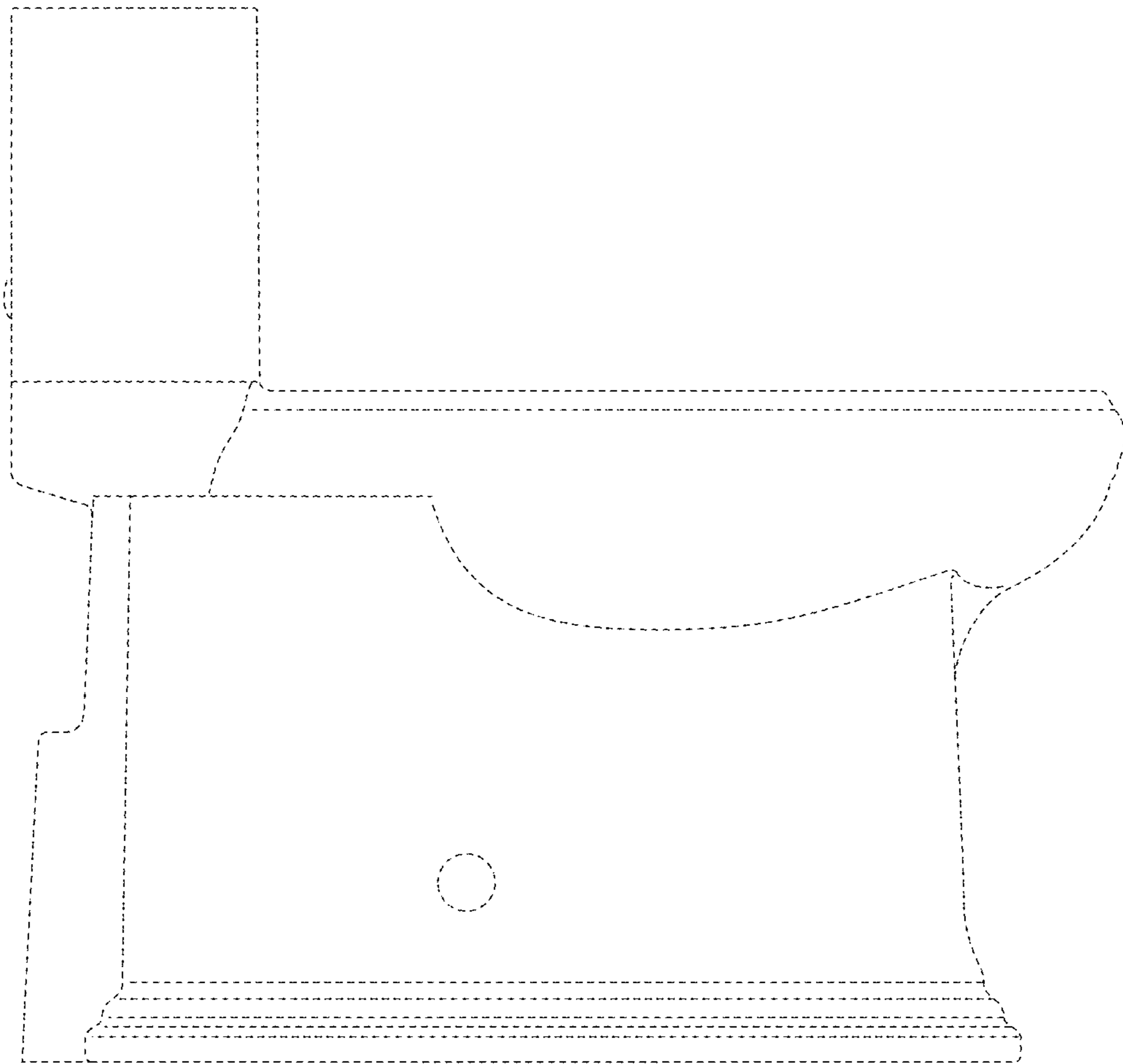


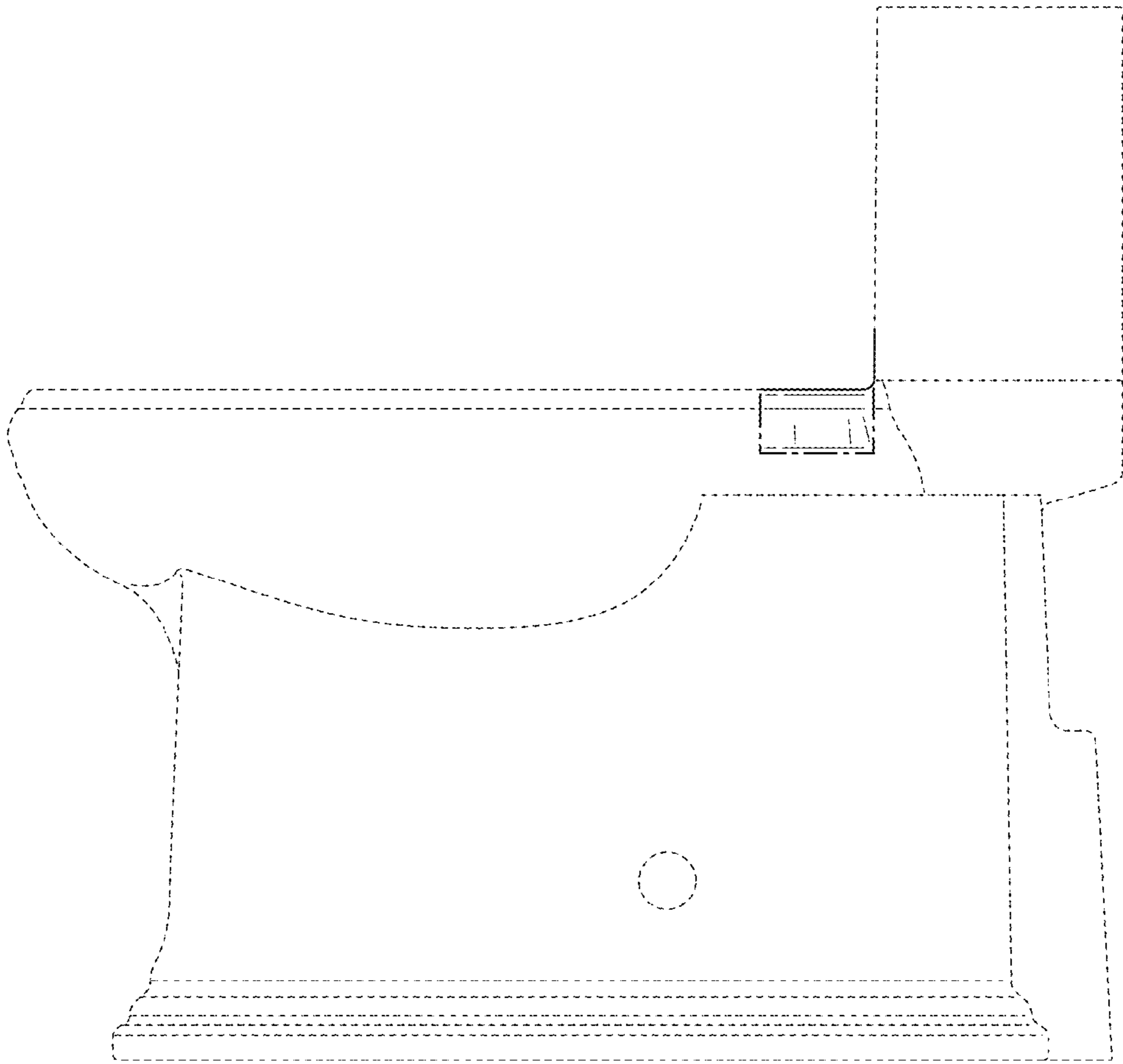
FIG. 17



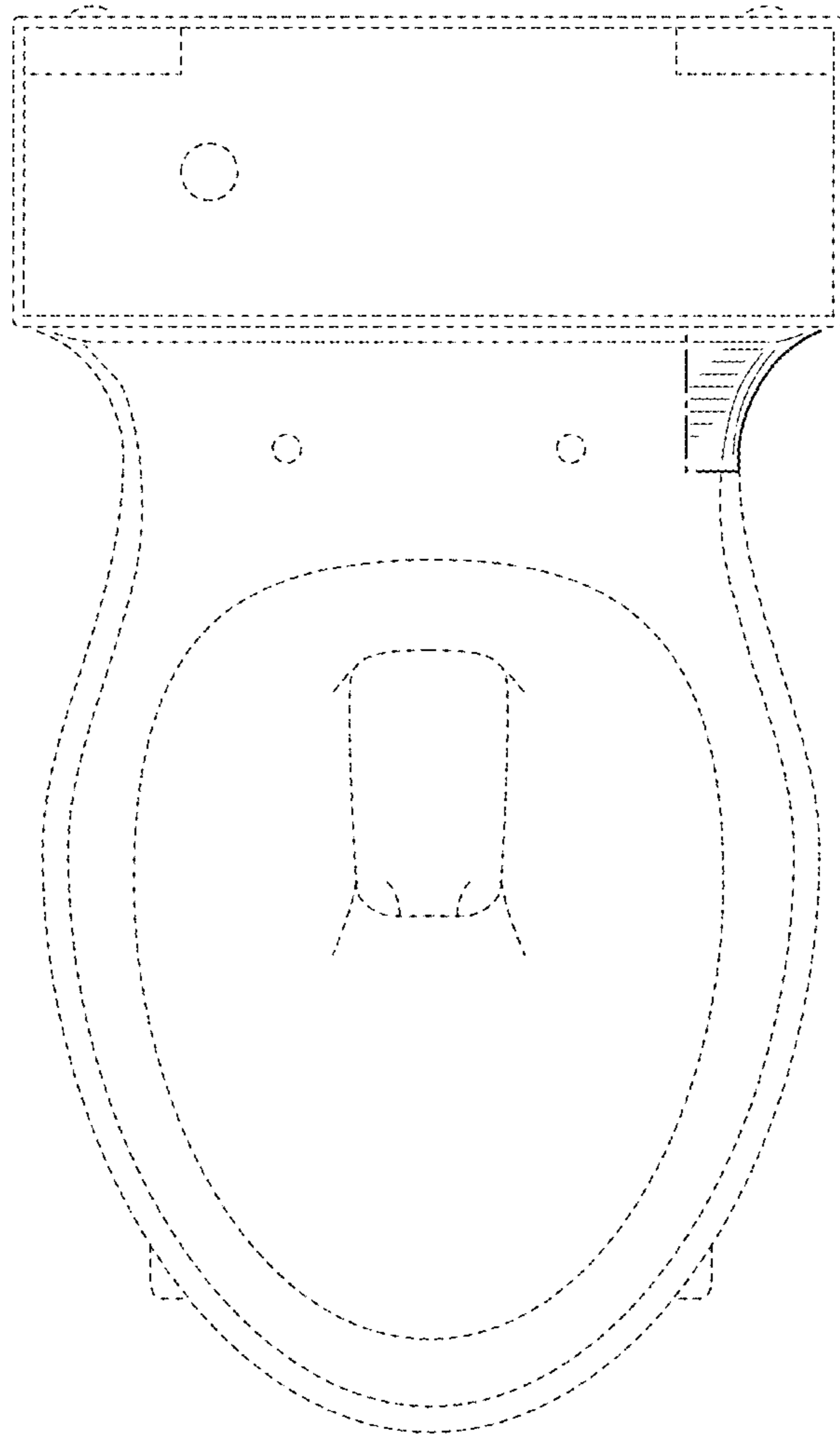
**FIG. 18**



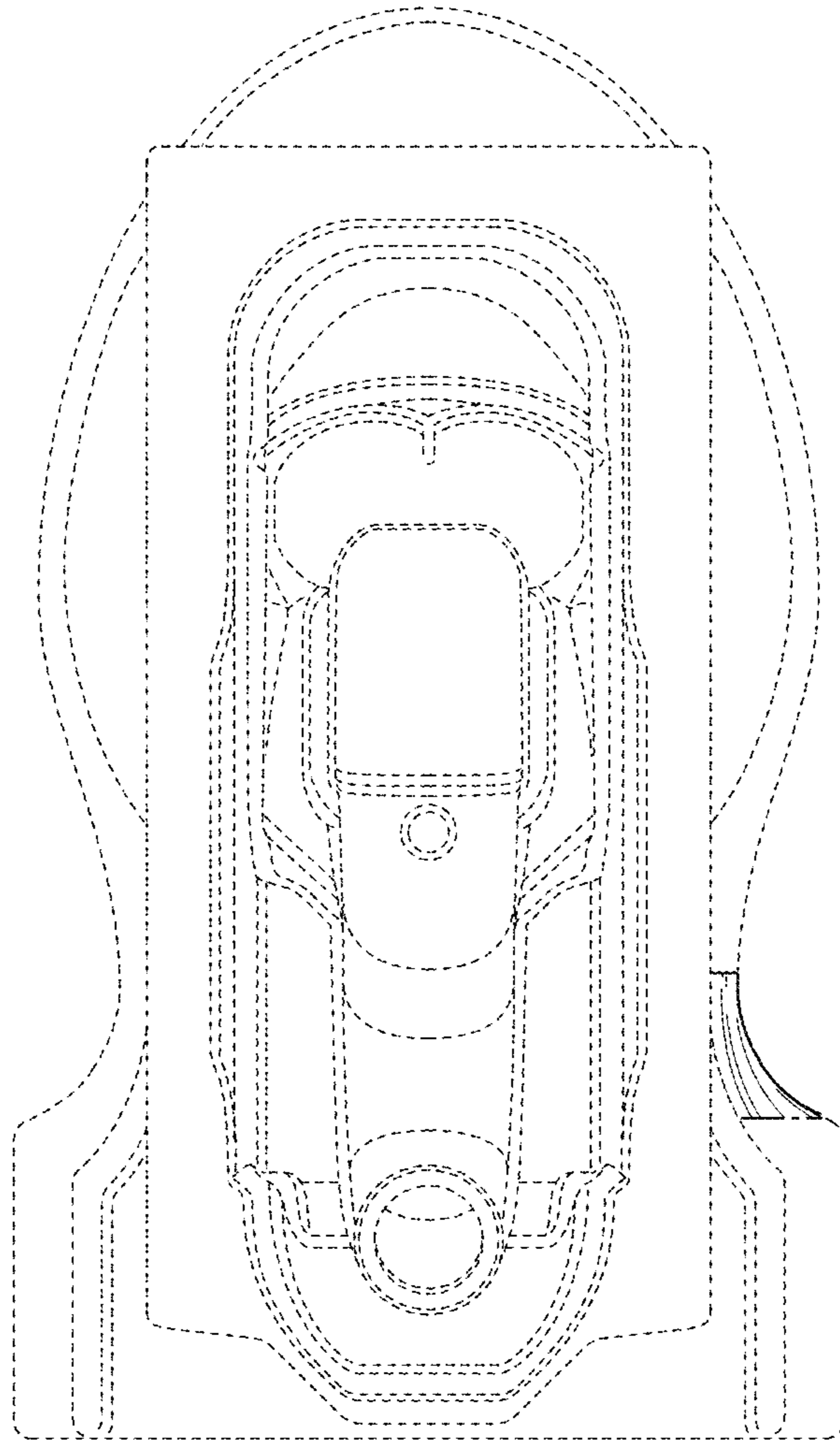
**FIG. 19**



**FIG. 20**

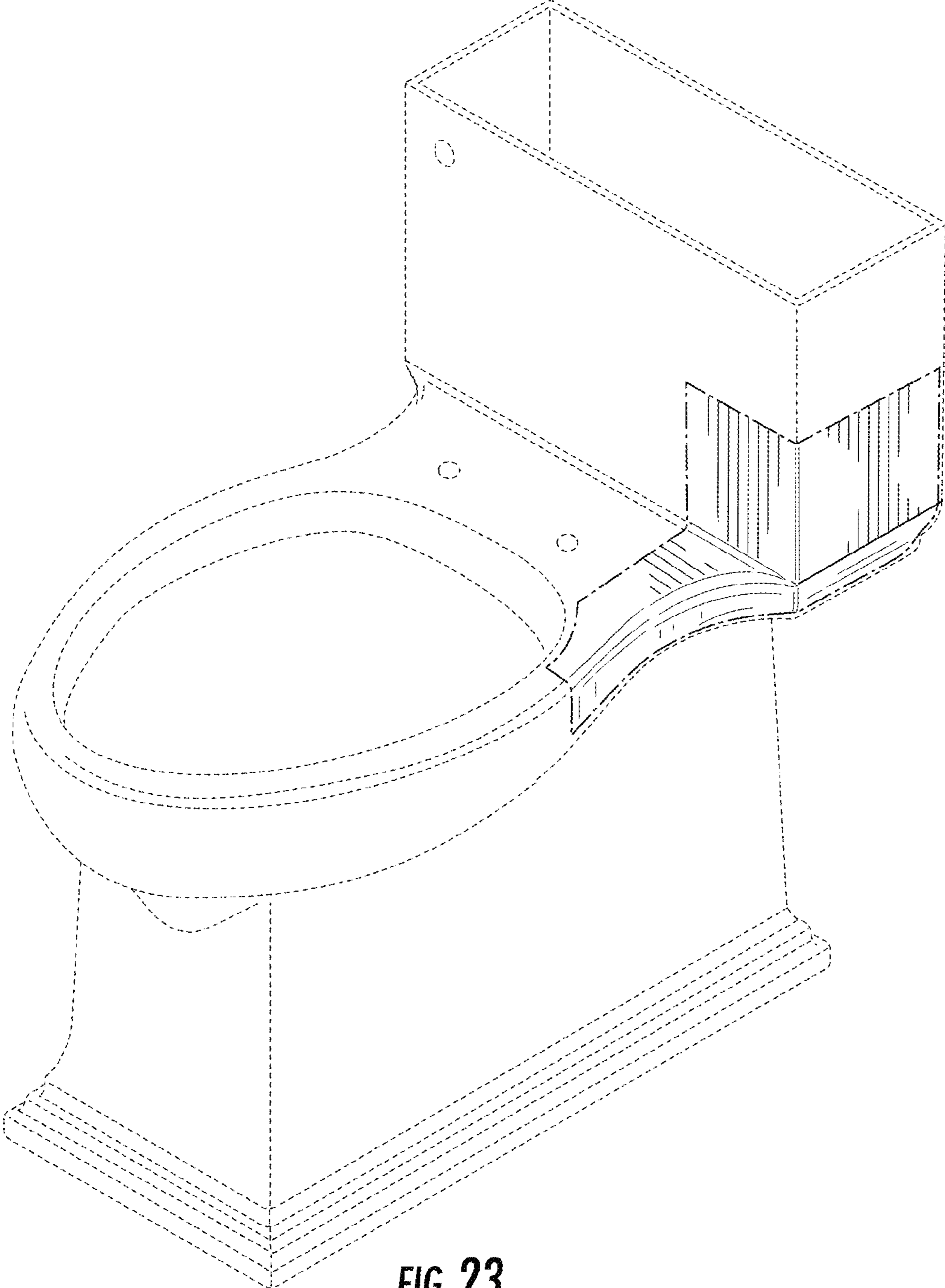


**FIG. 21**

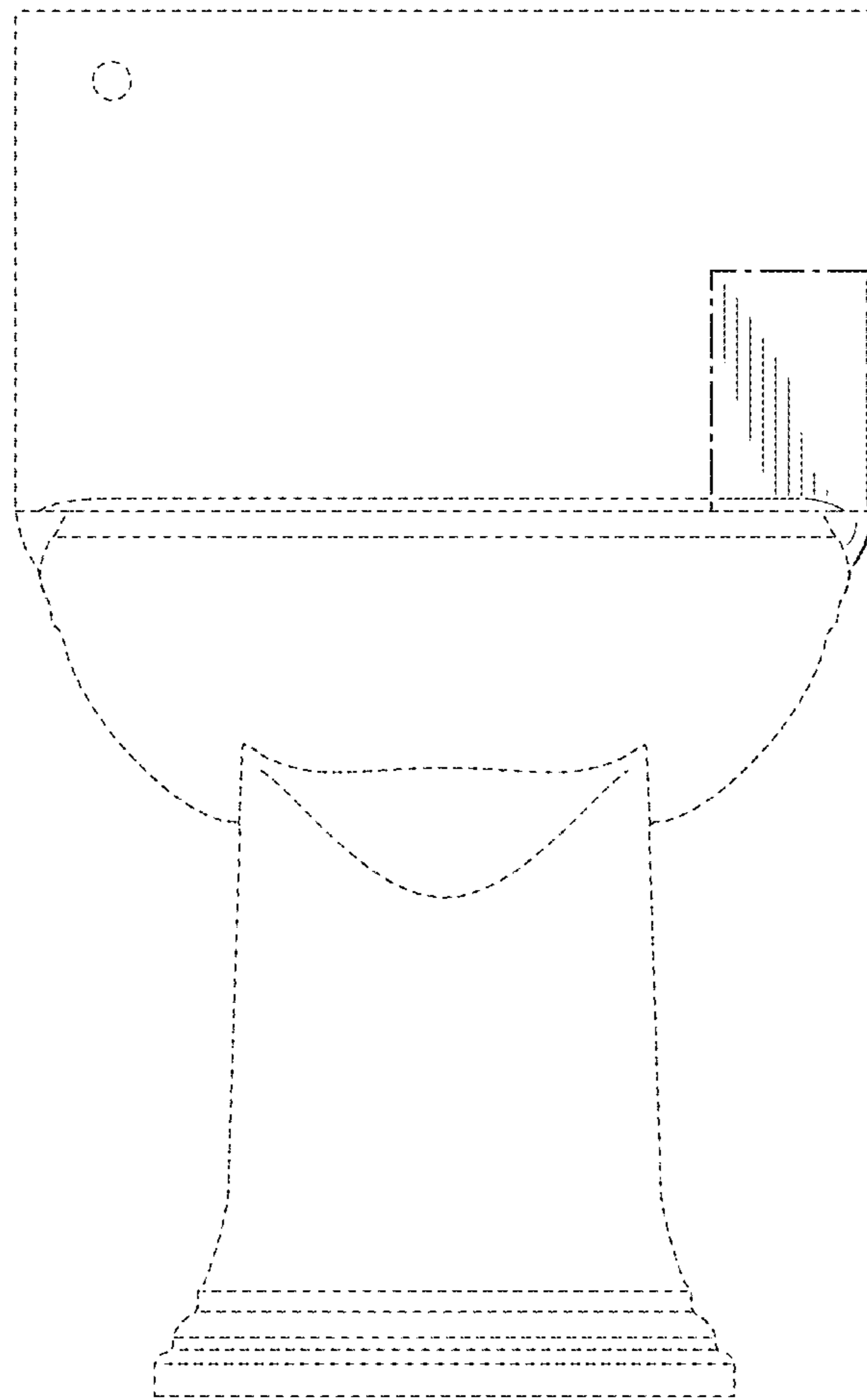


**FIG. 22**





**FIG. 23**



**FIG. 24**

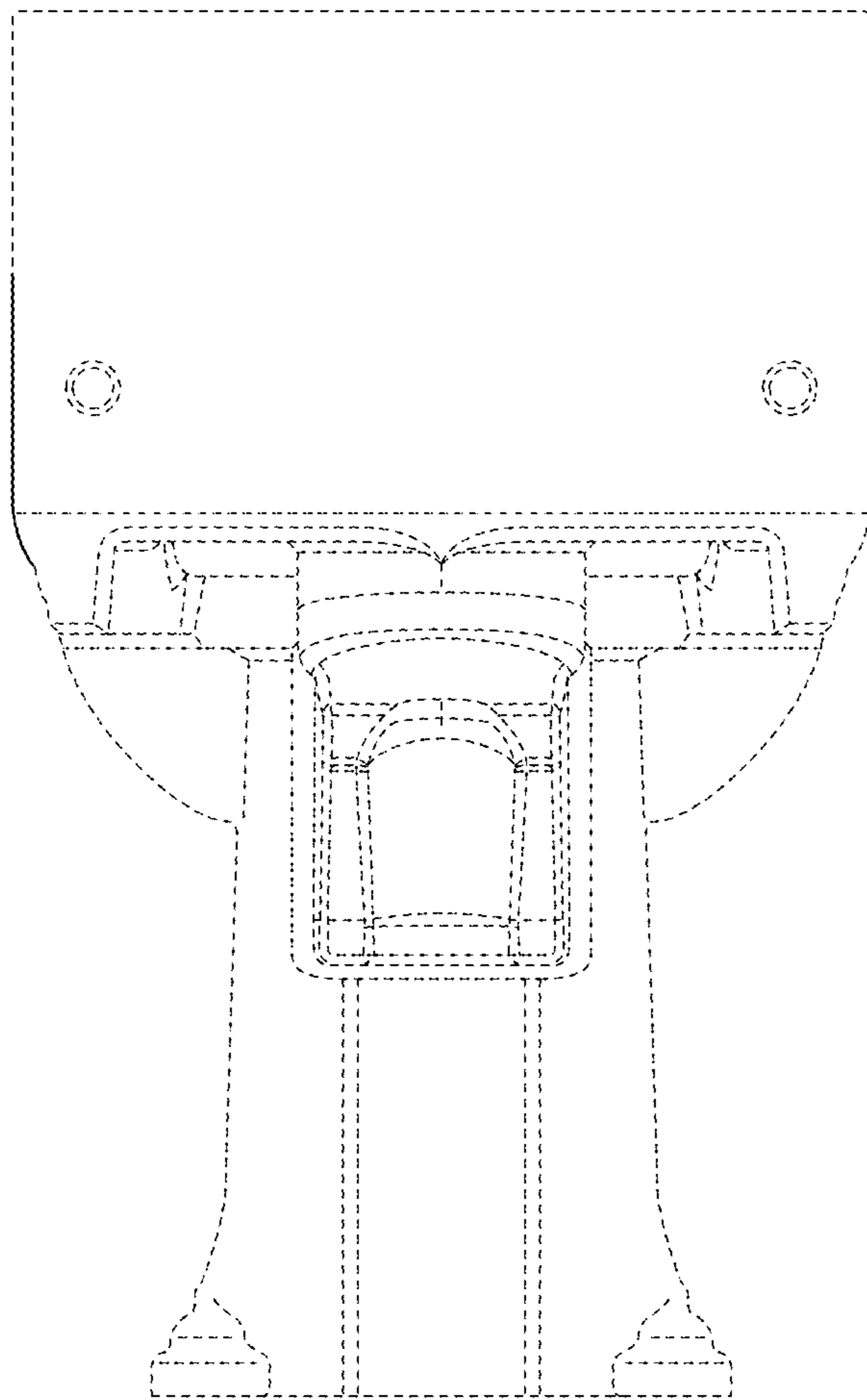


FIG. 25

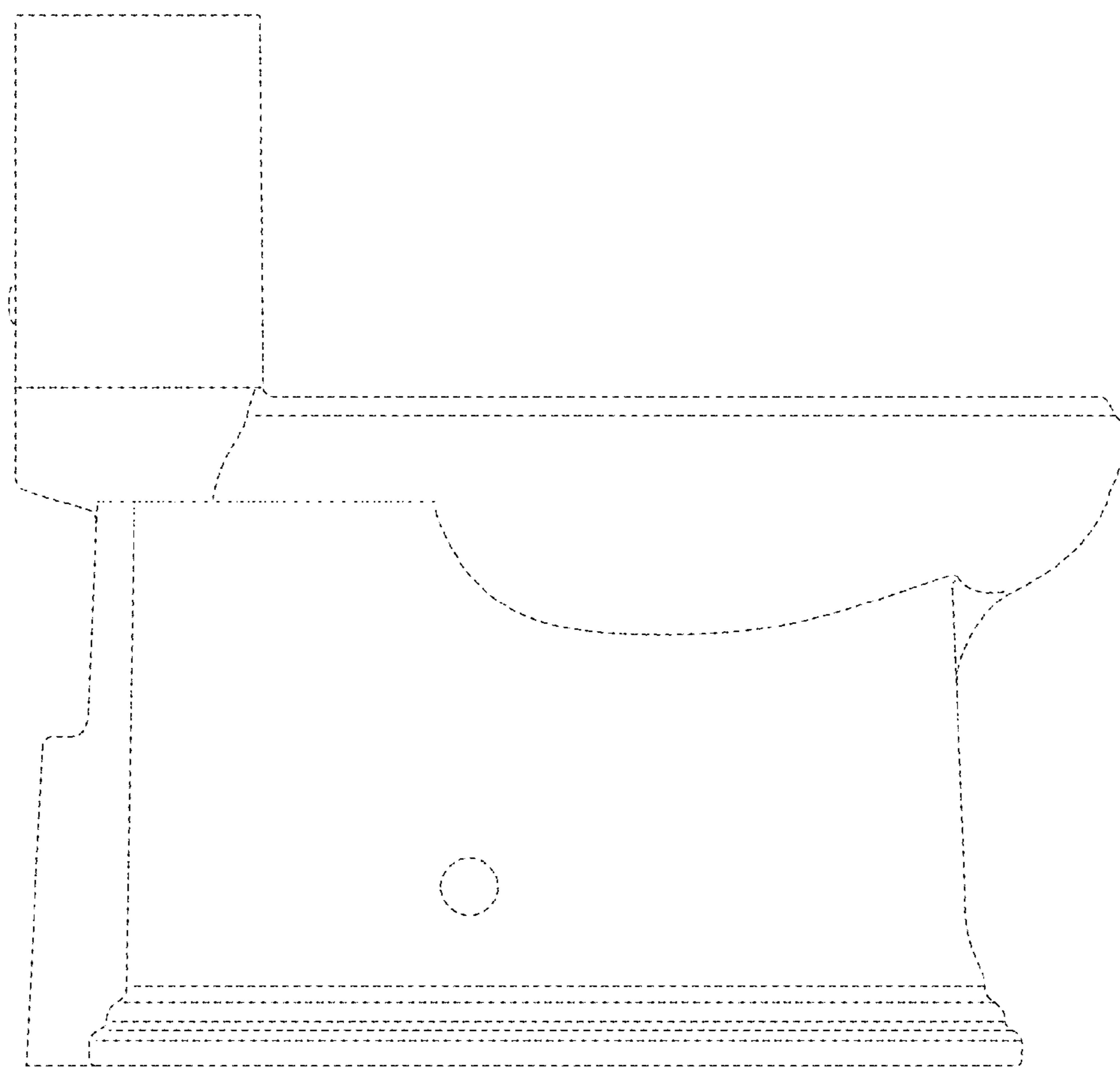
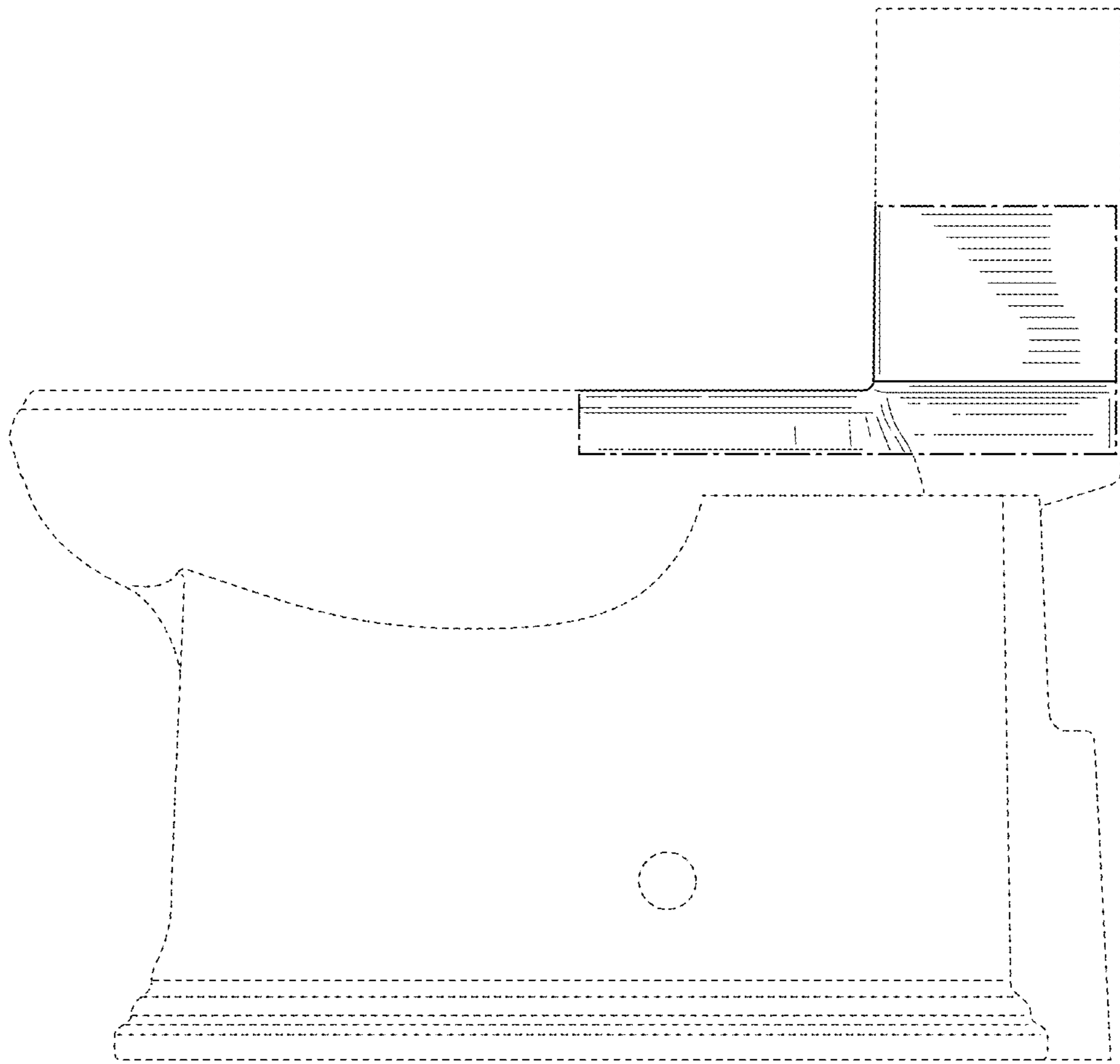
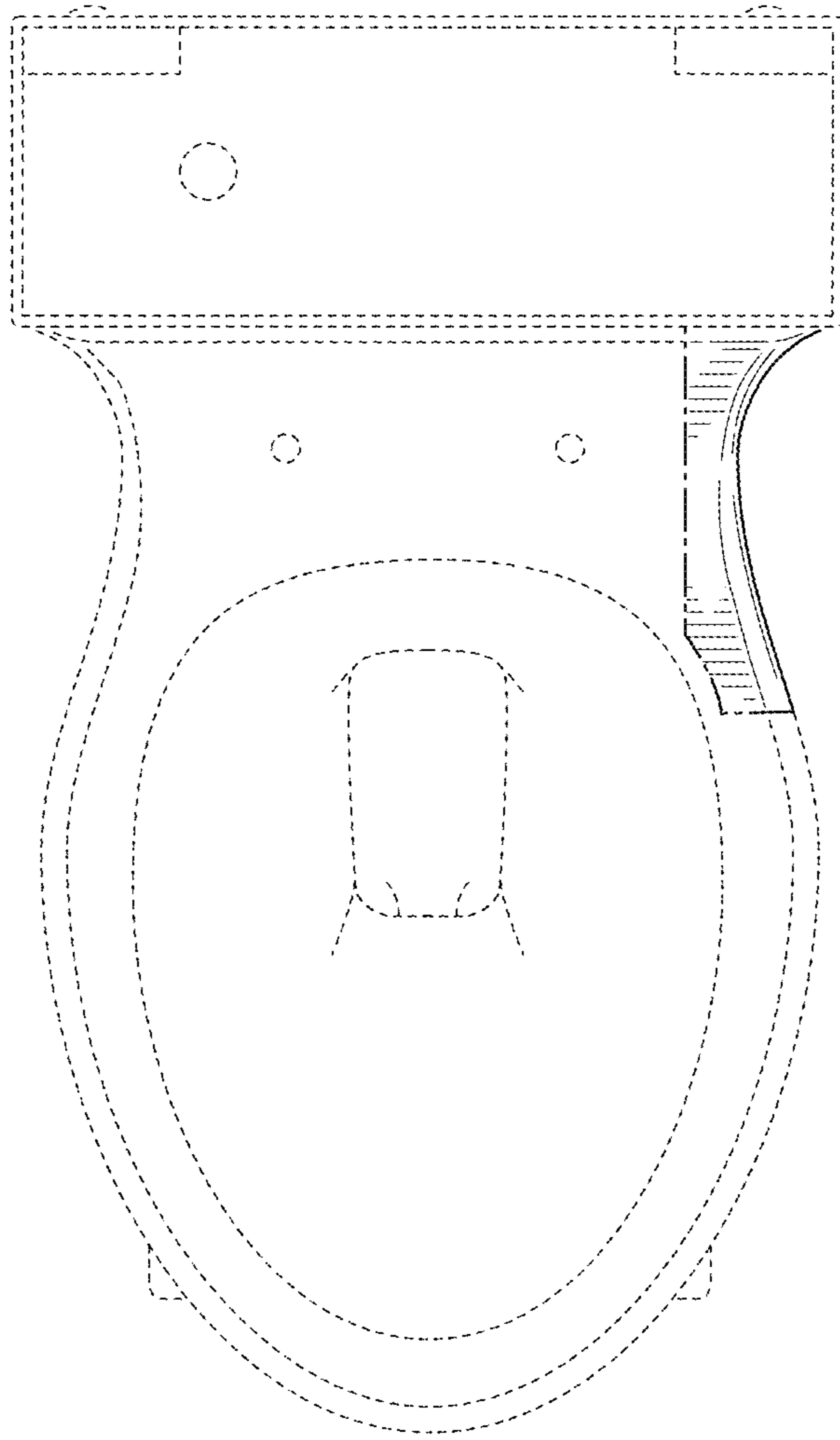


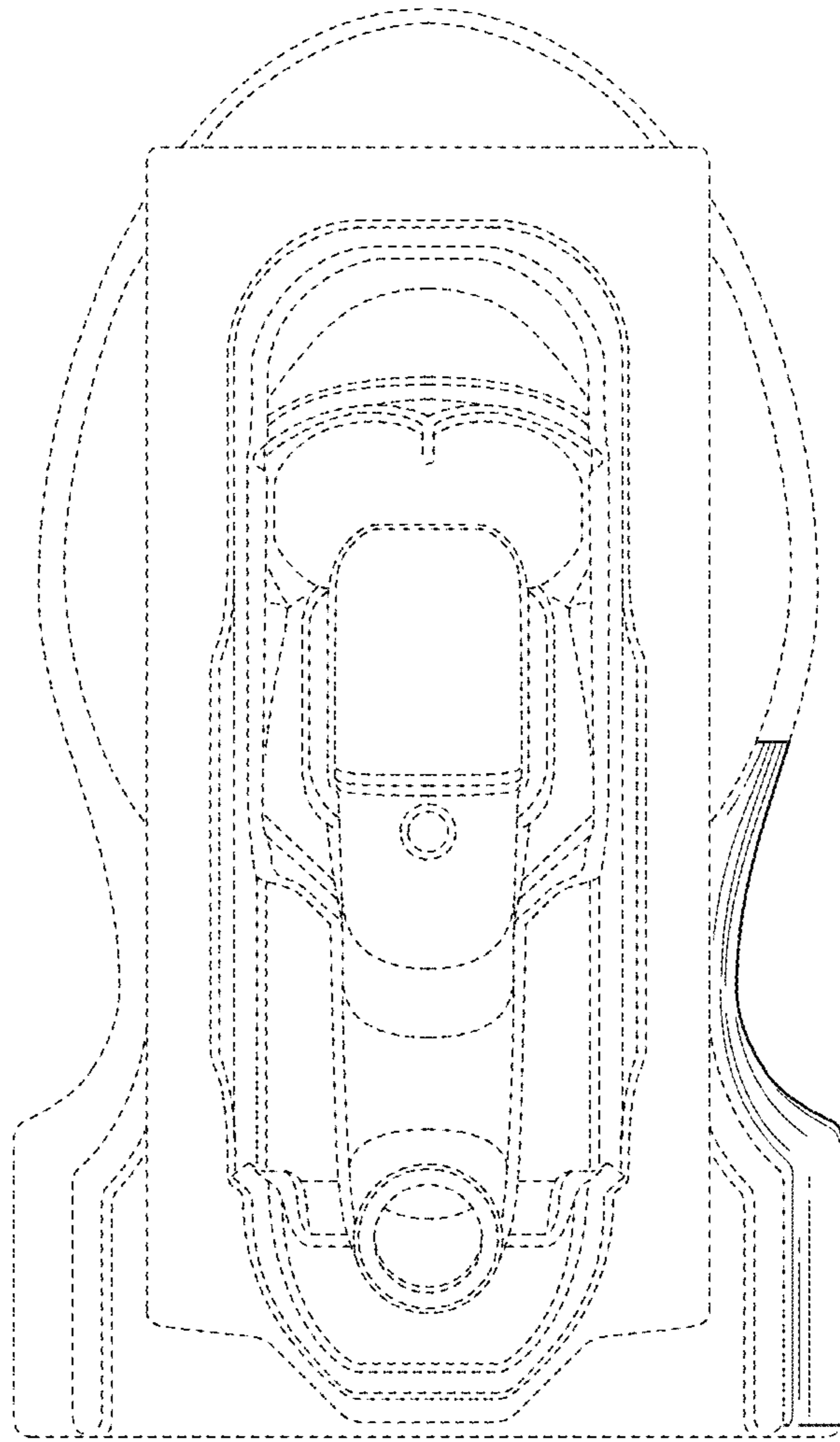
FIG. 26



**FIG. 27**



**FIG. 28**



**FIG. 29**