



US00D763415S

(12) **United States Design Patent**  
**Gompper et al.**

(10) **Patent No.:** **US D763,415 S**

(45) **Date of Patent:** **\*\* Aug. 9, 2016**

(54) **SINK AND FAUCET ASSEMBLY**

(71) Applicants: **Brion Gompper**, Lakewood, NJ (US);  
**Viranjitsinh Chudasama**, Toms River,  
NJ (US)

(72) Inventors: **Brion Gompper**, Lakewood, NJ (US);  
**Viranjitsinh Chudasama**, Toms River,  
NJ (US)

(73) Assignee: **COMPONENT HARDWARE**  
**GROUP, INC.**, Lakewood, NJ (US)

(\*\*) Term: **15 Years**

(21) Appl. No.: **29/552,310**

(22) Filed: **Jan. 21, 2016**

**Related U.S. Application Data**

(62) Division of application No. 29/521,936, filed on Mar.  
26, 2015, now Pat. No. Des. 753,803.

(51) **LOC (10) Cl.** ..... **23-02**

(52) **U.S. Cl.**

USPC ..... **D23/284**

(58) **Field of Classification Search**

USPC ..... D23/271–274, 284, 286, 291–293.1,  
D23/303, 308

CPC ..... E03C 1/00; E03C 1/01; E03C 1/02;  
E03C 1/12; E03C 1/18

See application file for complete search history.

(56) **References Cited**

U.S. PATENT DOCUMENTS

D382,332 S *	8/1997	Schwartz .....	D23/284
D415,261 S *	10/1999	Thomas .....	D23/284
D544,073 S *	6/2007	DeGarmo .....	D23/284
D589,128 S *	3/2009	Mitrani .....	D23/284
D677,772 S *	3/2013	Mendoza .....	D23/293.1

\* cited by examiner

*Primary Examiner* — Robert Delehanty

(74) *Attorney, Agent, or Firm* — Francis C. Hand; Carella,  
Byrne, et al

(57) **CLAIM**

The ornamental design of a sink and faucet assembly, as  
shown and described.

**DESCRIPTION**

FIG. 1 illustrates a perspective top view of a sink and faucet  
assembly in accordance with the invention;

FIG. 2 illustrates a front view of the sink and faucet assembly  
of FIG. 1;

FIG. 3 illustrates a back view of the sink and faucet assembly  
of FIG. 1;

FIG. 4 illustrates a right side view of the sink and faucet  
assembly of FIG. 1;

FIG. 5 illustrates a left side view of the sink and faucet  
assembly of FIG. 1;

FIG. 6 illustrates a top view of the sink and faucet assembly of  
FIG. 1; and,

FIG. 7 illustrates a bottom view of the sink and faucet assem-  
bly of FIG. 1.

**1 Claim, 7 Drawing Sheets**

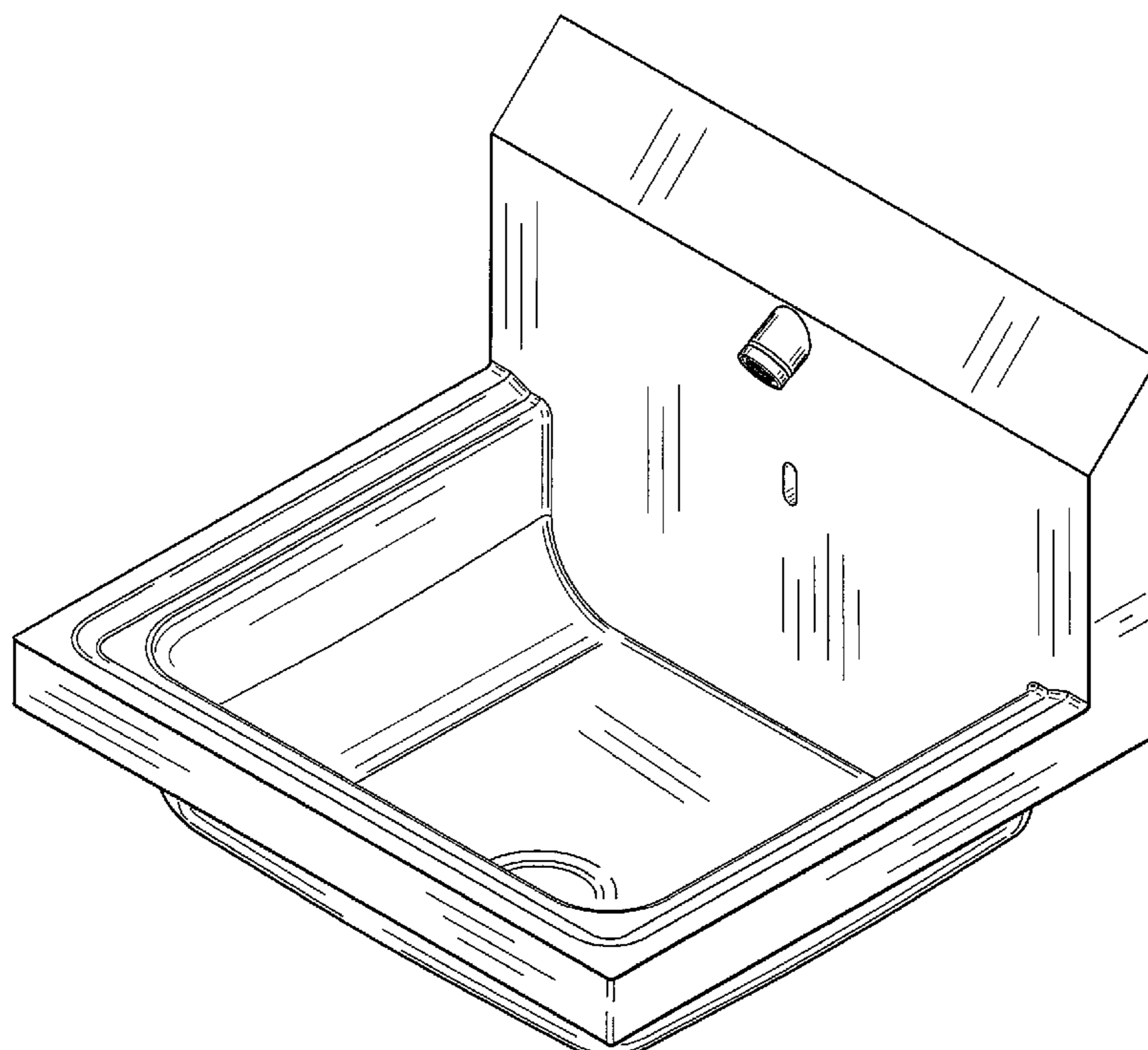
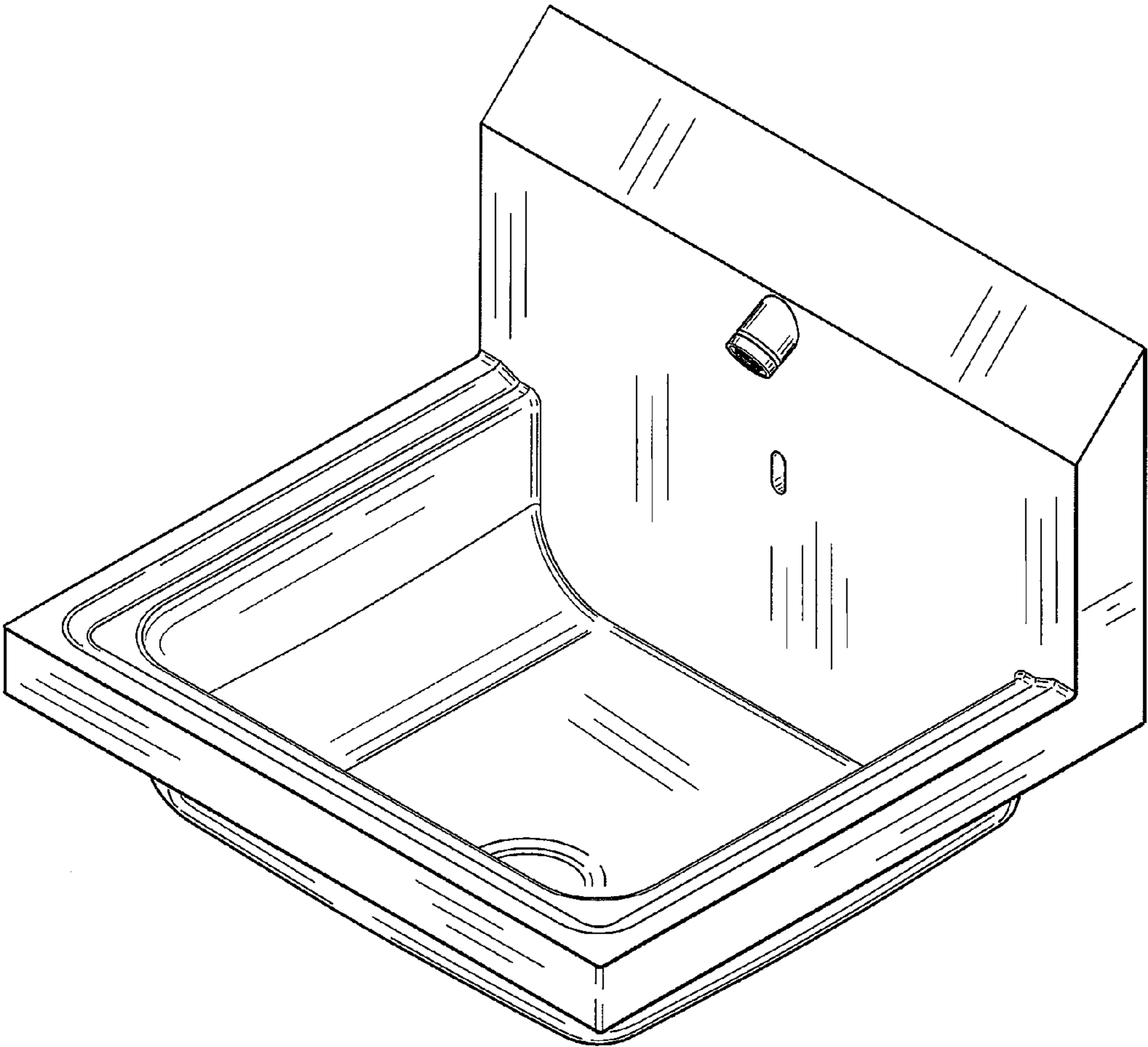


FIG. 1



**FIG. 2**

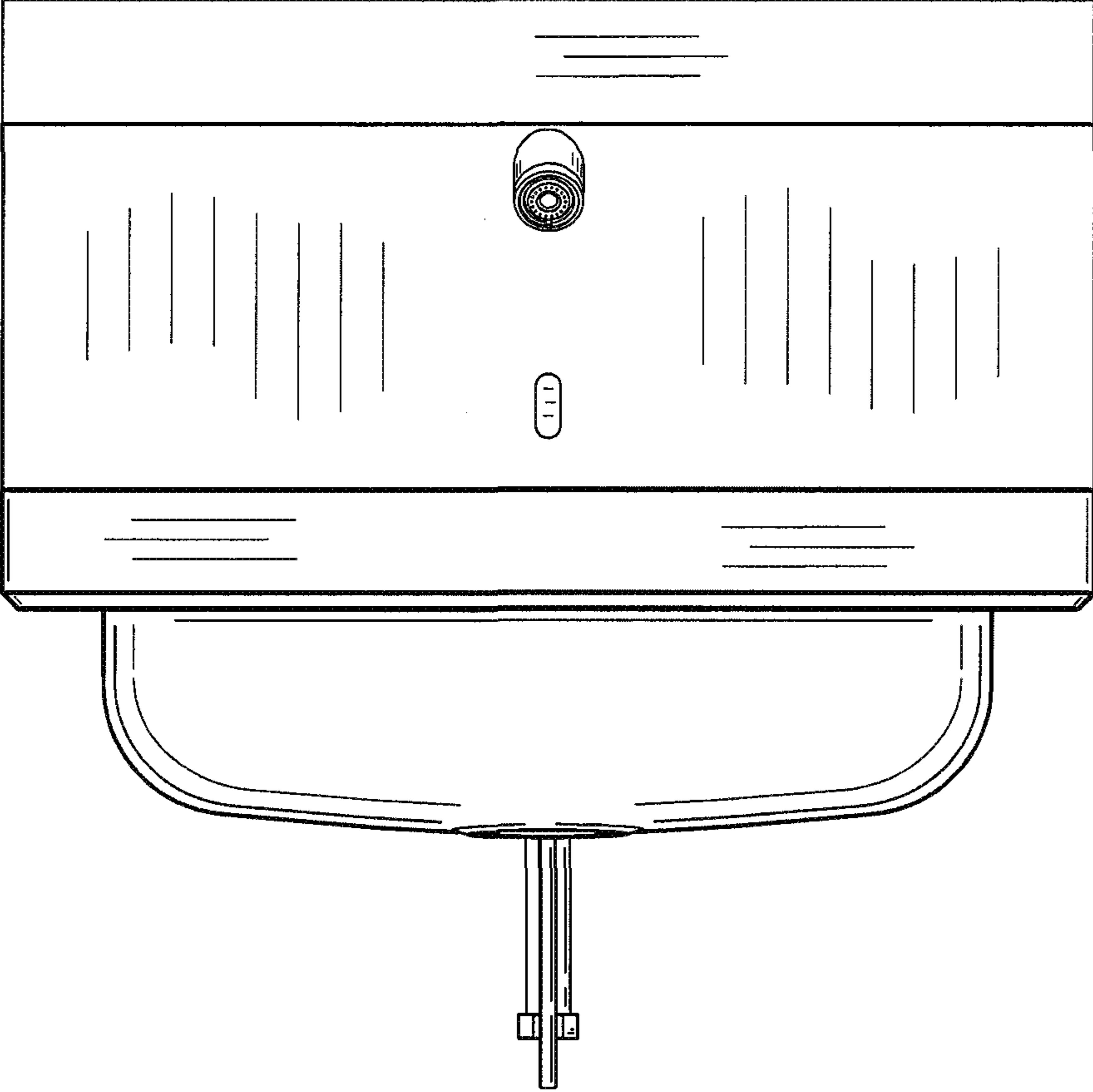


FIG. 3

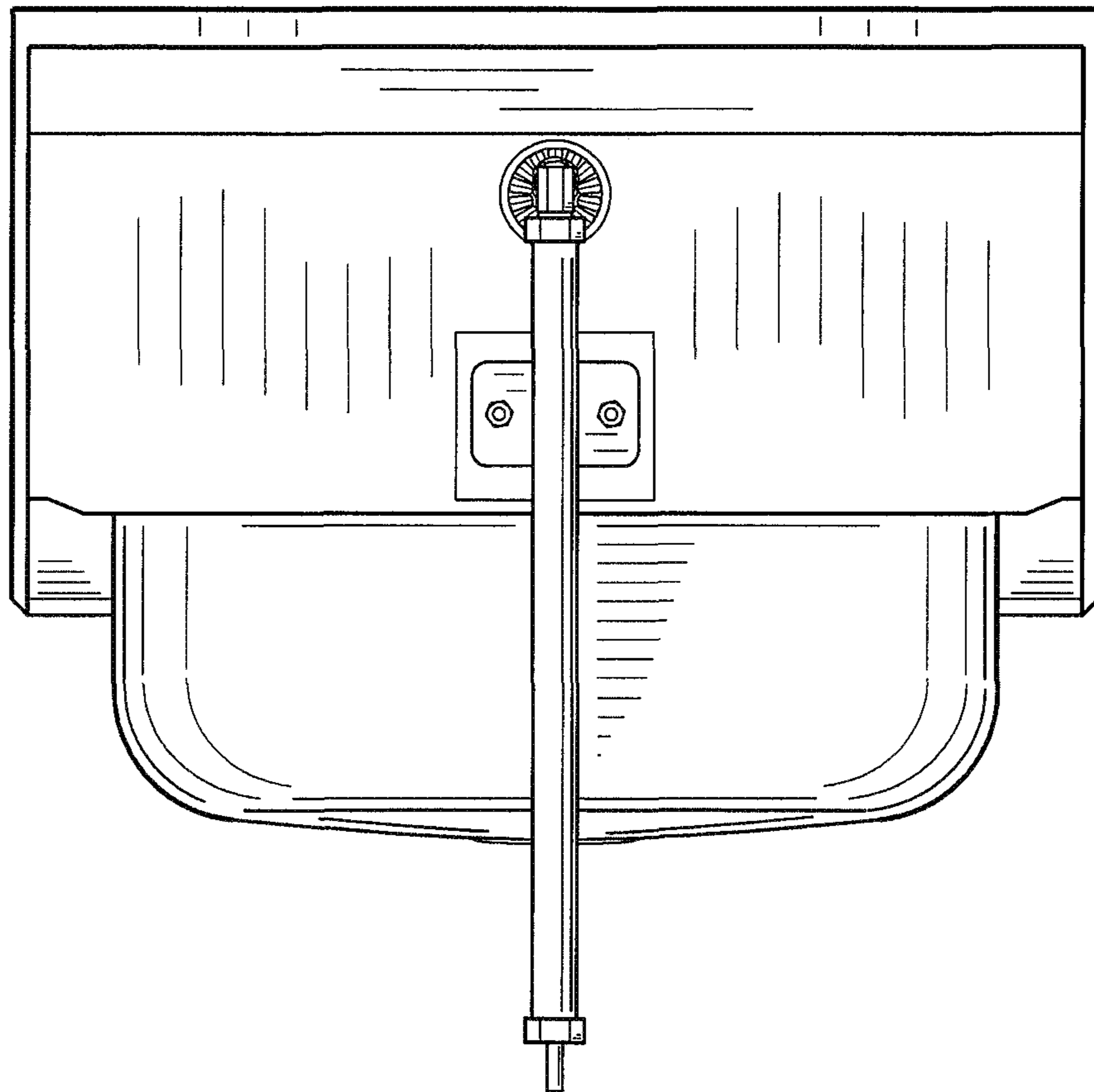


FIG. 4

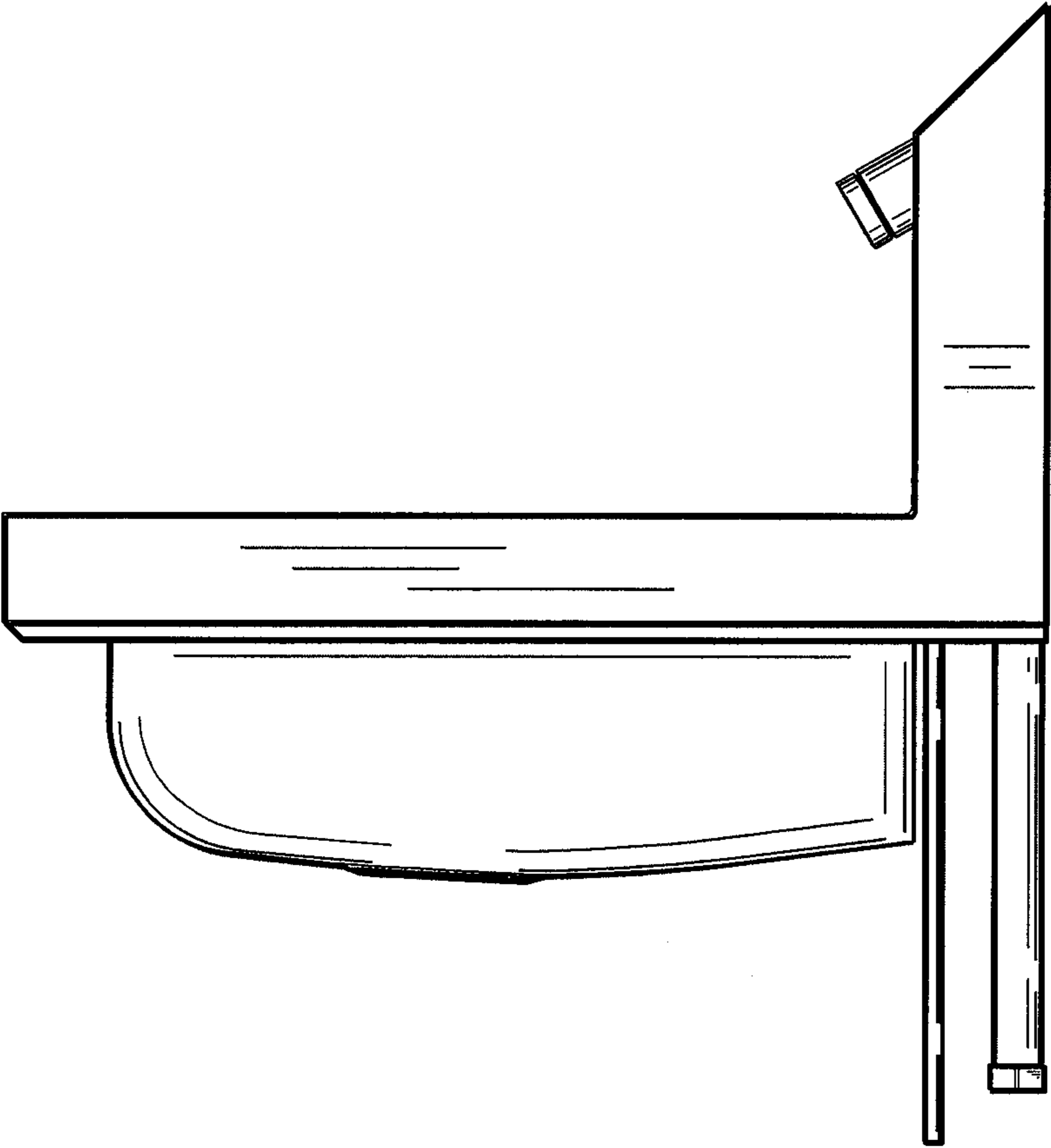
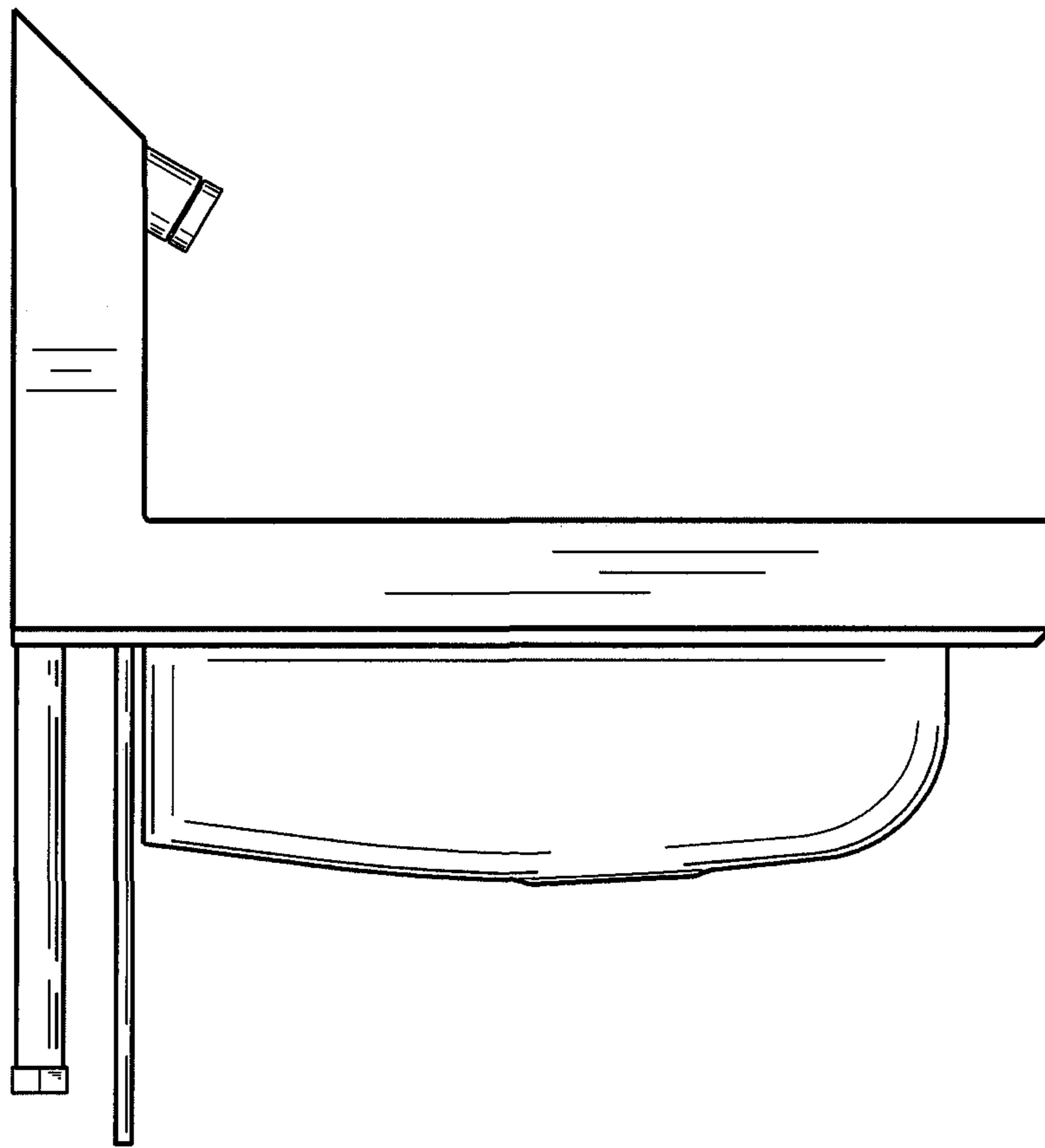


FIG. 5



**FIG. 6**

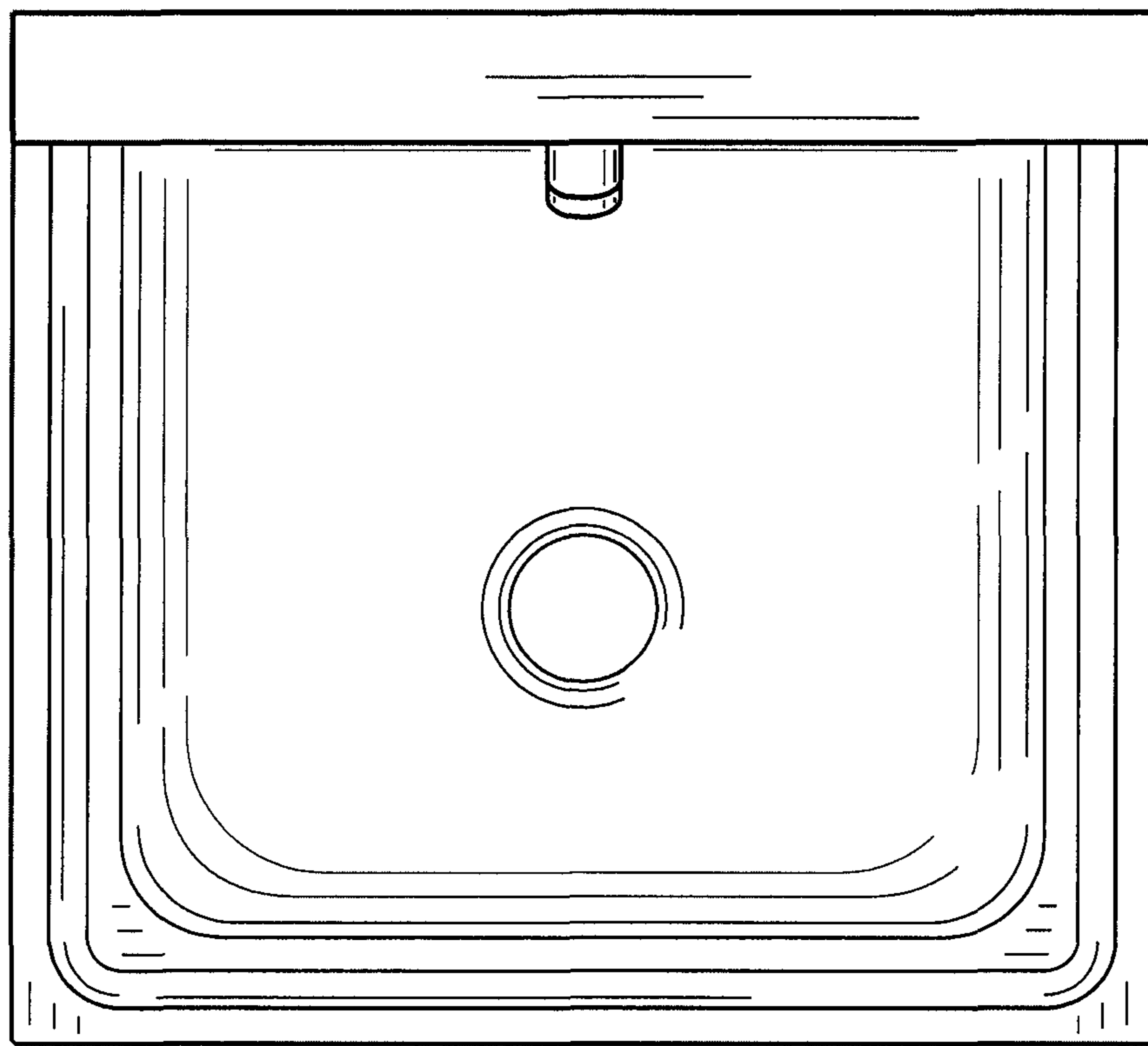


FIG. 7

