



US00D763414S

(12) **United States Design Patent**
Allin

(10) **Patent No.:** **US D763,414 S**

(45) **Date of Patent:** **** Aug. 9, 2016**

(54) **FLUID LINE DRIVE-OVER**

(71) Applicant: **Mathena, Inc.**, El Reno, OK (US)

(72) Inventor: **Melissa G. Allin**, Oklahoma City, OK (US)

(73) Assignee: **Mathena, Inc.**, El Reno, OK (US)

(**) Term: **14 Years**

(21) Appl. No.: **29/476,070**

(22) Filed: **Dec. 10, 2013**

(51) **LOC (10) Cl.** **23-01**

(52) **U.S. Cl.**
USPC **D23/259**; D13/155

(58) **Field of Classification Search**
USPC D23/259, 262, 260, 113; D25/102;
D13/155; D9/522, 443; D3/202;
D14/207; D27/163; 14/69.5, 24;
104/275; 174/72 C, 101, 135, 97, 107;
404/15; D10/113.1
CPC B65G 69/30; A62C 33/06; B60R 16/0215;
H02G 3/0418; H02G 3/26; H02G 3/0608;
H02G 9/04; H02G 9/02; H02G 3/283; H02G
3/305; H02G 9/025; E01F 9/06; E01F 9/047;
H01B 7/0823; E01C 5/005; E01C 11/222;
F16L 3/2235; F16L 57/00; F16L 3/23; E02D
17/10

See application file for complete search history.

(56) **References Cited**

U.S. PATENT DOCUMENTS

2,166,516 A 7/1939 Bainbridge
D220,696 S 5/1971 Lazzo, III

(Continued)

FOREIGN PATENT DOCUMENTS

AU 352300 11/2013
CA 2729154 A1 1/2010

(Continued)

OTHER PUBLICATIONS

Beaver Valley Supply Company: Westfield Portable Drive over Pit, Announced May 27, 2011, [Site Visited Jul. 29, 2015]http://www.beavervalleysupply.com/sectiona/westpit.htm.*

(Continued)

Primary Examiner — John Windmuller

Assistant Examiner — Luqman McNeil

(74) *Attorney, Agent, or Firm* — Gardere Wynne Sewell LLP

(57) **CLAIM**

The ornamental design for a fluid line drive-over, as shown and described.

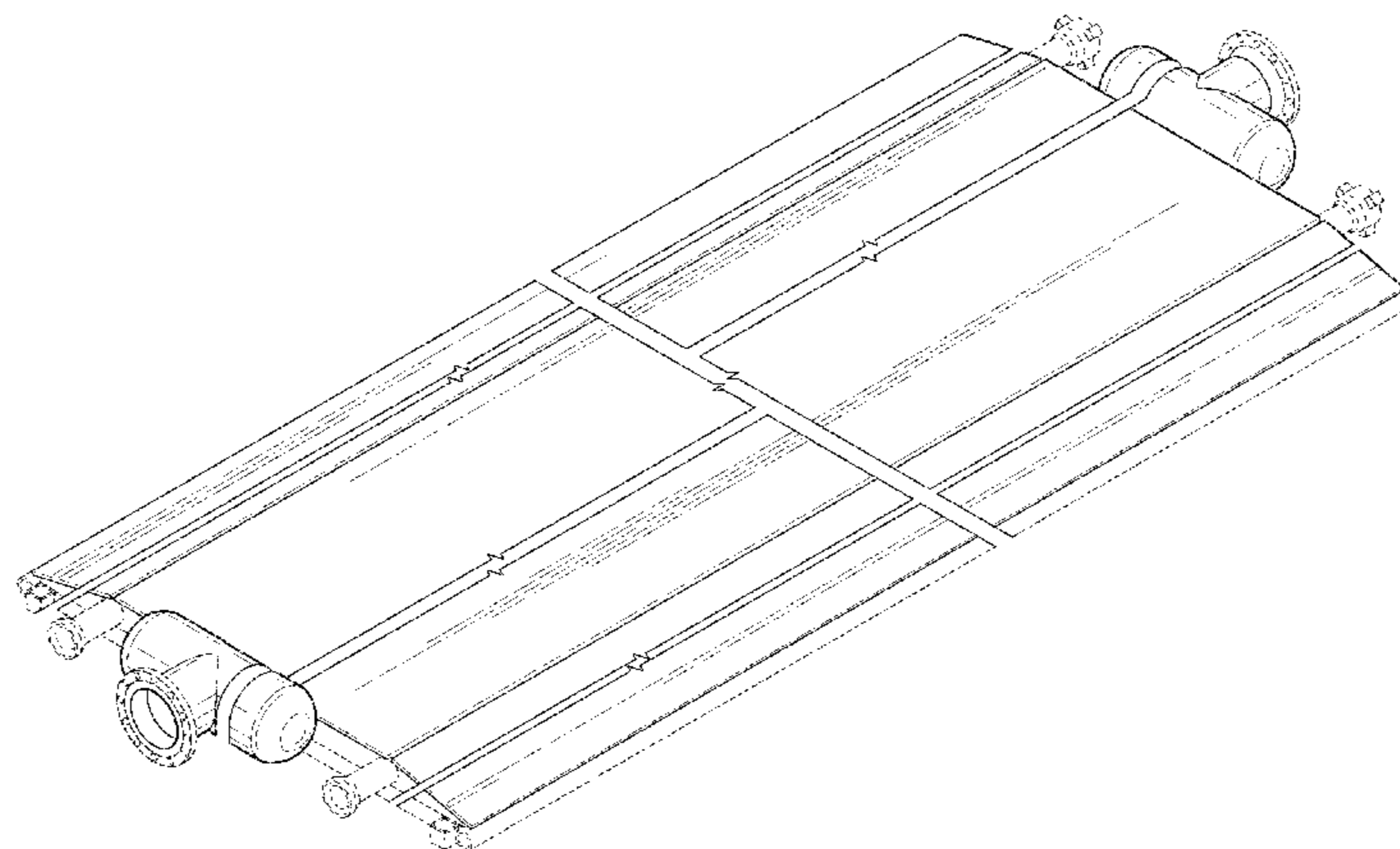
DESCRIPTION

FIG. 1 is a front perspective view of a fluid line drive-over; FIG. 2 is a top plan view of the fluid line drive-over; FIG. 3 is a front elevational view of the fluid line drive-over, the rear elevational view being a mirror image thereof; FIG. 4 a bottom plan view of the fluid line drive-over; FIG. 5 is a left side elevational view of the fluid line drive-over; FIG. 6 is a right side elevational view of the fluid line drive-over; FIG. 7 is a front perspective view of an additional embodiment of a fluid line drive-over; FIG. 8 is a top plan view of the fluid line drive-over shown in FIG. 7; FIG. 9 is a front elevational view of the fluid line drive-over shown in FIG. 7, the rear elevational view being a mirror image thereof; FIG. 10 is a left side elevational view of the fluid line drive-over shown in FIG. 7; and, FIG. 11 is a right side elevational view of the fluid line drive-over shown in FIG. 7.

A portion of the fluid line drive-over is shown broken away to indicate a symbolic break in length and forms no part of the claimed design.

The broken line showing is included for the purpose of illustrating portions of the fluid line drive-over and forms no part of the claimed design.

1 Claim, 6 Drawing Sheets



(56)

References Cited

U.S. PATENT DOCUMENTS

3,753,336	A	8/1973	Drew et al.	6,989,103	B2	1/2006	Mohsen et al.
3,765,505	A	10/1973	Pendleton	D521,230	S *	5/2006	Linz D3/202
3,875,998	A	4/1975	Charpentier	D525,550	S	7/2006	Egidio
3,965,967	A *	6/1976	Jentzsch A62C 33/06 104/275	D533,474	S	12/2006	Megale et al.
4,154,570	A	5/1979	Schwartz	7,145,079	B1	12/2006	Henry
4,294,593	A	10/1981	Rehm	7,152,682	B2	12/2006	Hopper
4,297,659	A	10/1981	Augst	7,207,399	B2	4/2007	Duhe et al.
4,373,354	A	2/1983	Sawyer	7,309,836	B2 *	12/2007	Lubanski H02G 3/0418 104/275
4,397,659	A	8/1983	Gowan et al.	7,332,097	B2	2/2008	Fout et al.
4,404,425	A *	9/1983	Rich H01B 7/0823 174/107	D563,323	S *	3/2008	Henry D13/155
4,474,254	A	10/1984	Etter et al.	7,377,336	B2	5/2008	Duhe et al.
D280,406	S	9/1985	Walker	D570,332	S *	6/2008	Landerholm D14/207
4,635,735	A	1/1987	Crownover	7,385,139	B2	6/2008	Lubanski
D288,417	S	2/1987	Morrison	7,394,025	B1 *	7/2008	Wong H02G 3/305 104/275
4,666,471	A	5/1987	Cates	7,429,327	B2	9/2008	Fout et al.
4,697,294	A *	10/1987	Schafer E01C 5/005 14/69.5	7,438,142	B2	10/2008	Butler et al.
4,737,287	A	4/1988	Prendergast	D583,771	S *	12/2008	Lubanski D13/155
4,762,438	A *	8/1988	Dewing E01C 11/222 404/6	7,458,257	B2	12/2008	Pop et al.
5,028,318	A	7/1991	Aslin	7,497,954	B2	3/2009	Ivan et al.
5,095,822	A *	3/1992	Martin H02G 9/04 104/275	7,503,950	B2	3/2009	Haland et al.
D334,542	S	4/1993	Lowe et al.	7,507,280	B2	3/2009	Tomshak et al.
5,209,765	A	5/1993	Kolpak et al.	7,569,098	B2	8/2009	Oglesby
D336,524	S *	6/1993	White D25/102	7,591,605	B2 *	9/2009	Jonasz E01F 9/047 404/15
5,267,367	A	12/1993	Wegmann, Jr.	7,592,547	B2	9/2009	Lubanski
D348,230	S *	6/1994	Shairba D10/113.1	7,595,450	B2	9/2009	Lubanski
5,526,684	A	6/1996	Liu et al.	D609,789	S *	2/2010	Milnes D23/262
5,599,365	A	2/1997	Alday et al.	D611,811	S *	3/2010	Gilbert D9/443
D387,181	S *	12/1997	Sinclair D25/102	7,674,980	B2	3/2010	Lubanski
5,755,527	A *	5/1998	Dufresne A62C 33/06 138/105	7,691,259	B2	4/2010	Freeman et al.
5,777,266	A	7/1998	Herman et al.	7,727,316	B2	6/2010	Mueller et al.
5,780,773	A *	7/1998	Wakamatsu H02G 9/04 174/72 C	7,744,067	B2	6/2010	Kurukchi et al.
5,859,430	A	1/1999	Mullins et al.	7,795,535	B2	9/2010	Lubanski
5,919,036	A	7/1999	O'Brien et al.	D625,395	S *	10/2010	Guzzoni D23/262
5,928,519	A	7/1999	Homan	7,810,197	B1 *	10/2010	Anthony F16L 3/2235 14/69.5
D412,490	S *	8/1999	Henry D13/155	D627,038	S *	11/2010	Yu D23/260
D415,112	S *	10/1999	Henry D13/155	7,838,772	B2	11/2010	Lubanski
D415,471	S *	10/1999	Henry D13/155	7,862,730	B2	1/2011	McEwen et al.
5,997,284	A	12/1999	Gustafson et al.	7,943,851	B2 *	5/2011	Lubanski F16L 57/00 138/155
D423,293	S *	4/2000	Pischke D7/605	7,947,628	B2	5/2011	Oakley et al.
D425,627	S *	5/2000	Harwood D25/102	8,001,643	B1 *	8/2011	James F16L 3/23 14/69.5
6,067,681	A *	5/2000	Zeinstra A62C 33/06 104/275	8,025,713	B2	9/2011	Dou et al.
D429,695	S *	8/2000	Henry D13/155	D647,247	S *	10/2011	Jones D27/163
D430,543	S *	9/2000	Rohder D13/155	8,066,870	B2	11/2011	Freeman et al.
D431,488	S *	10/2000	Jonasz D10/113.1	D650,053	S *	12/2011	Douglass, III D23/269
6,164,308	A	12/2000	Butler	D651,107	S	12/2011	Bradford et al.
D436,578	S *	1/2001	Henry D13/155	8,083,935	B2	12/2011	Eia
D437,832	S *	2/2001	Henry D13/155	D653,139	S *	1/2012	Lee D10/113.1
D438,802	S *	3/2001	Krunas D9/522	8,087,293	B2	1/2012	Dou et al.
6,202,565	B1 *	3/2001	Henry A62C 33/06 104/275	8,119,914	B2 *	2/2012	Lubanski H02G 9/025 104/275
6,287,047	B1 *	9/2001	Dufresne E01F 9/047 138/106	8,142,634	B2	3/2012	McCosh
6,431,855	B1	8/2002	Pedersen	D657,277	S	4/2012	Dallwig et al.
6,481,036	B1 *	11/2002	Duvall H02G 9/02 104/275	D665,513	S *	8/2012	Engel D25/113
6,499,410	B1 *	12/2002	Berardi A62C 33/06 104/275	D680,891	S	4/2013	Dallwig et al.
6,564,619	B2	5/2003	Dutton et al.	8,506,821	B2	8/2013	Pruett et al.
6,658,757	B2	12/2003	Fout et al.	D690,217	S	9/2013	Sands et al.
6,747,212	B1 *	6/2004	Henry H02G 3/283 104/275	8,536,524	B2	9/2013	Pomerantz et al.
6,793,814	B2	9/2004	Fout et al.	8,641,811	B2	2/2014	Mathena
6,878,881	B1 *	4/2005	Henry H02G 9/04 104/275	8,784,545	B2	7/2014	Mathena
6,881,349	B2	4/2005	Mueller	D714,174	S	9/2014	Mathena et al.
D512,134	S *	11/2005	Lipscomb D23/259	D714,175	S	9/2014	Mathena et al.
6,977,048	B2	12/2005	Mueller et al.	D719,519	S *	12/2014	Mathena D13/155
				D730,317	S *	5/2015	Silvera D14/207
				2003/0051881	A1	3/2003	Vinegar et al.
				2004/0153281	A1	8/2004	Jaynes
				2005/0092523	A1	5/2005	McCaskill et al.
				2005/0166759	A1	8/2005	Ross et al.
				2006/0201671	A1	9/2006	Rogers et al.
				2007/0151907	A1	7/2007	Duhe et al.
				2007/0175331	A1	8/2007	Tomshak et al.
				2008/0078699	A1	4/2008	Carr
				2008/0179095	A1	7/2008	Eia
				2008/0185813	A1	8/2008	Watson

(56)

References Cited

U.S. PATENT DOCUMENTS

2008/0190668	A1	8/2008	Swartout	
2009/0255560	A1	10/2009	Lehmann et al.	
2010/0064893	A1	3/2010	Hopper	
2010/0233950	A1	9/2010	Benkert et al.	
2010/0242813	A1	9/2010	Takashima et al.	
2010/0249540	A1	9/2010	Lisogurski	
2011/0105292	A1	5/2011	Walraven et al.	
2011/0139851	A1	6/2011	McCuen	
2011/0186525	A1	8/2011	Dixit	
2011/0259581	A1	10/2011	Bedouet et al.	
2011/0284288	A1	11/2011	Sawyer et al.	
2011/0285647	A1	11/2011	Imamura et al.	
2012/0024531	A1	2/2012	Suter	
2012/0096895	A1	4/2012	Patel et al.	
2012/0179149	A1	7/2012	DeLonzor	
2012/0238793	A1	9/2012	Cullinane et al.	
2012/0245014	A1	9/2012	Jones et al.	
2012/0298559	A1	11/2012	Newman et al.	
2013/0031878	A1	2/2013	Menssen	
2013/0047351	A1*	2/2013	Breault	E02D 17/10 14/24
2013/0081368	A1	4/2013	Mueller	
2013/0174524	A1	7/2013	Inge et al.	
2013/0270467	A1	10/2013	Johnson et al.	
2013/0300568	A1	11/2013	Mathena et al.	
2014/0131030	A1	5/2014	Mathena	
2014/0299443	A1	10/2014	Mathena	
2015/0099231	A1	4/2015	Long et al.	

FOREIGN PATENT DOCUMENTS

CH	697992	B1	4/2009
CN	1669664	A	9/2005
CN	2886155	Y	4/2007
CN	201046371	Y	4/2008
CN	201575838	U	9/2010
CN	202270591	U	6/2012
CN	102688631	A	9/2012
CN	103596697	A	2/2014
EP	0050312	A2	4/1982
EP	0185827	A1	7/1986
FR	2641362	A1	7/1990
GB	163186	A	5/1921
GB	2177951	A	2/1987
GB	2240801	A	8/1991
GB	2272425	A	5/1994
GB	2441069	A	2/2008
GB	4012312	*	9/2009
GB	4014581	*	1/2011
JP	07049294		2/1995
JP	11138053		5/1999
JP	2001070469	A	3/2001
JP	3588891	B2	11/2004
JP	D1258935	*	12/2005
RU	2372146	C1	11/2009
SG	194148	A1	11/2013
WO	WO-2005094962	A1	10/2005
WO	WO-2008068828	A1	6/2008
WO	WO-2008117005	A1	10/2008
WO	WO-2009097869	A1	8/2009
WO	WO-2010002360	A1	1/2010
WO	WO-2012092386	A2	7/2012
WO	WO-2012141691	A1	10/2012
WO	WO-2013106843	A1	7/2013
WO	WO-2013170137	A2	11/2013
WO	WO-2015051246	A1	4/2015

OTHER PUBLICATIONS

T & S Sales; TFX2 100 Grain Auger, Announced Dec. 24, 2005, [Site Visited Jul. 29, 2015] <http://nwgrainaugers.com/grain-augers/tfx2-series-auger/>.*

Beaver Valley Supply Company: Westfield Portable Drive Over Pit; Announced May 27, 2011; [Site Visited Jul. 29, 2015] <http://www.beavervalleysupply.com/sectional/westpit.htm>.*

T & S Sales: TFX2 100 Grain Auger, Announced Dec. 24, 2005; [Site Visited Jul. 29, 2015] <http://nwgrainaugers.com/grain-augers/tfx2-series-auger/>.*

Mathena Advertising Brochure published Nov. 2012 (14 pages).

Advisory Action mailed Oct. 22, 2013, by the USPTO, re U.S. Appl. No. 13/000,964.

Canadian Exam Report dated Jul. 31, 2014, by the CIPO, re App No. 2729154.

Canadian Exam Report dated May 27, 2015, by the CIPO, re App No. 2729154.

Canadian Examiner's Report mailed Mar. 24, 2014, by the CIPO, re App No. 152825.

Chinese Office Action dated Oct. 10, 2014, re App No. 201180071580.8.

Chinese Office Action, dated Jun. 3, 2015, re App No. 201180071580.8.

Exam Report for Mexican Application No. MX/A/2011/000055 (mail date unknown).

Final Office Action mailed Sep. 6, 2013, by the USPTO, re U.S. Appl. No. 13/000,964.

International Preliminary Report on patentability by the IPEA/US mailed May 13, 2011, for PCT/US2008/008143.

International Preliminary Report on Patentability by the IPEA/US, dated May 7, 2013, re PCT/US2011/032122.

International Preliminary Report on Patentability mailed Nov. 20, 2014, by the IB/WO, re PCT/US2013/040530.

International Search Report and Written Opinion by the ISA/US mailed Jul. 5, 2011 for PCT/US2011/032122.

International Search Report and Written Opinion by the ISA/US mailed Oct. 9, 2008 for PCT/US2008/008143.

International Search Report and Written Opinion mailed Jan. 7, 2015, by the ISA/US, re PCT/US2014/059037.

International Search Report and Written Opinion mailed Jan. 14, 2014, by the ISA/US, re PCT/US2013/040530.

M-I Swaco: Mud/Gas Separator brochure; 1998.

M-I Swaco: Super Mud/Gas Separator brochure; 1998.

M-I Swaco; Toga System brochure; 1999.

Mexican Examination Report (2) regarding MX/a/2011/000055, 2014.

Mexican Examination Report (3) regarding MX/a/2011/000055, 2015.

Notice of Allowance mailed Aug. 12, 2014, by the USPTO, re U.S. Appl. No. 29/448,068.

Notice of Allowance mailed May 1, 2014, by the USPTO, re U.S. Appl. No. 14/049,726.

Notice of Allowance mailed May 23, 2014, by the USPTO, re U.S. Appl. No. 29/453,843.

Notice of Allowance mailed May 23, 2014, by the USPTO, re U.S. Appl. No. 29/453,882.

Notice of Allowance mailed Nov. 7, 2013, by the USPTO, re U.S. Appl. No. 13/000,964.

Office Action mailed Aug. 3, 2015, by the USPTO, re U.S. Appl. No. 14/310,410.

Office Action mailed Feb. 7, 2013, by the USPTO for U.S. Appl. No. 13/000,964.

Office Action mailed Jan. 27, 2014, by the USPTO, re U.S. Appl. No. 14/049,726.

Office Action mailed Jun. 14, 2013, by the USPTO for U.S. Appl. No. 13/000,964.

Office Action/Restriction mailed Apr. 30, 2015, by the USPTO, re U.S. Appl. No. 14/310,410.

Office Action/Restriction mailed Aug. 19, 2015, by the USPTO, re U.S. Appl. No. 14/158,367.

Office Action/Restriction mailed May 14, 2015, by the USPTO, re U.S. Appl. No. 13/891,425.

"WP Resources LLC," <http://www.w-p-resources.com>; 15 pages; Jul. 30, 2013.

* cited by examiner

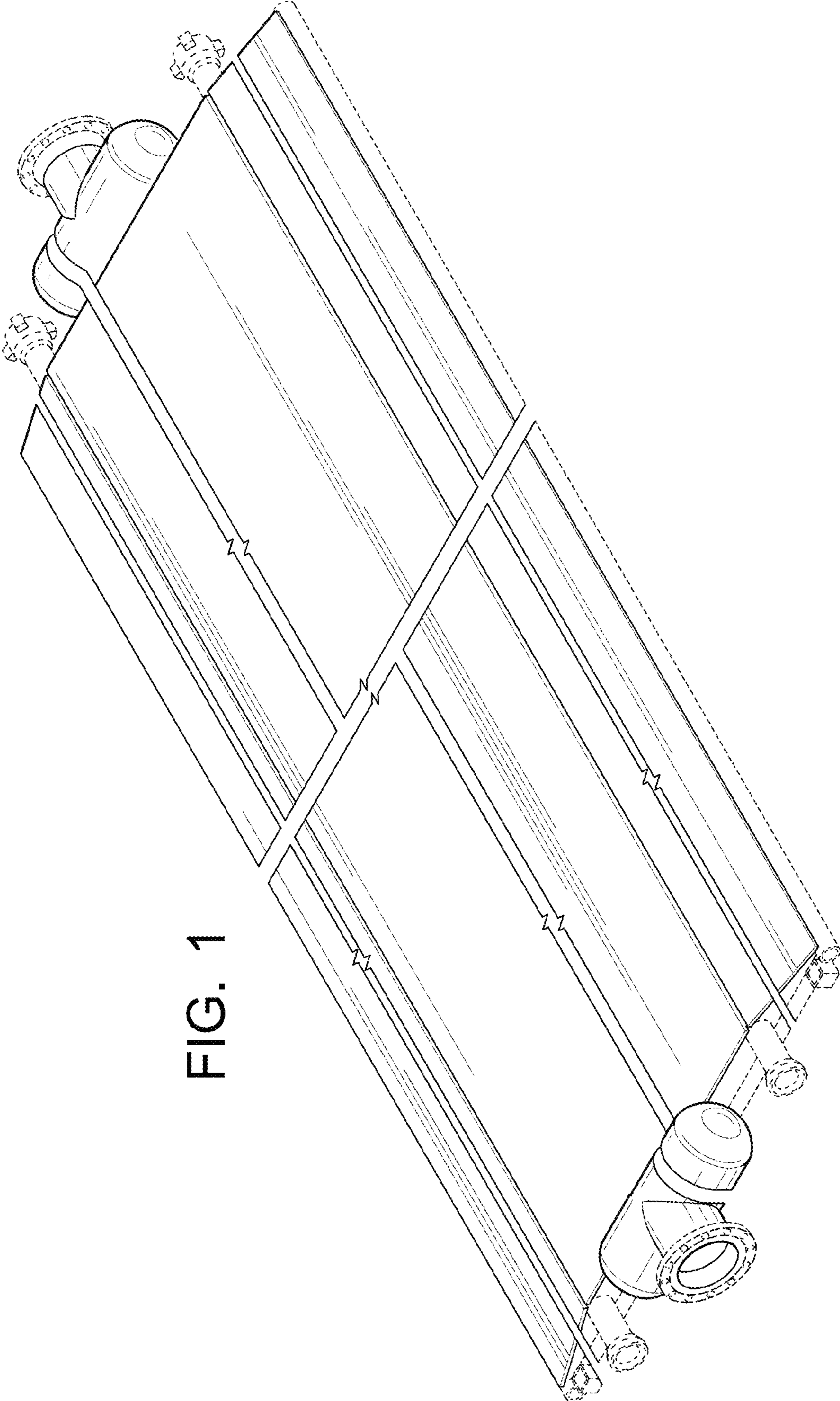


FIG. 1

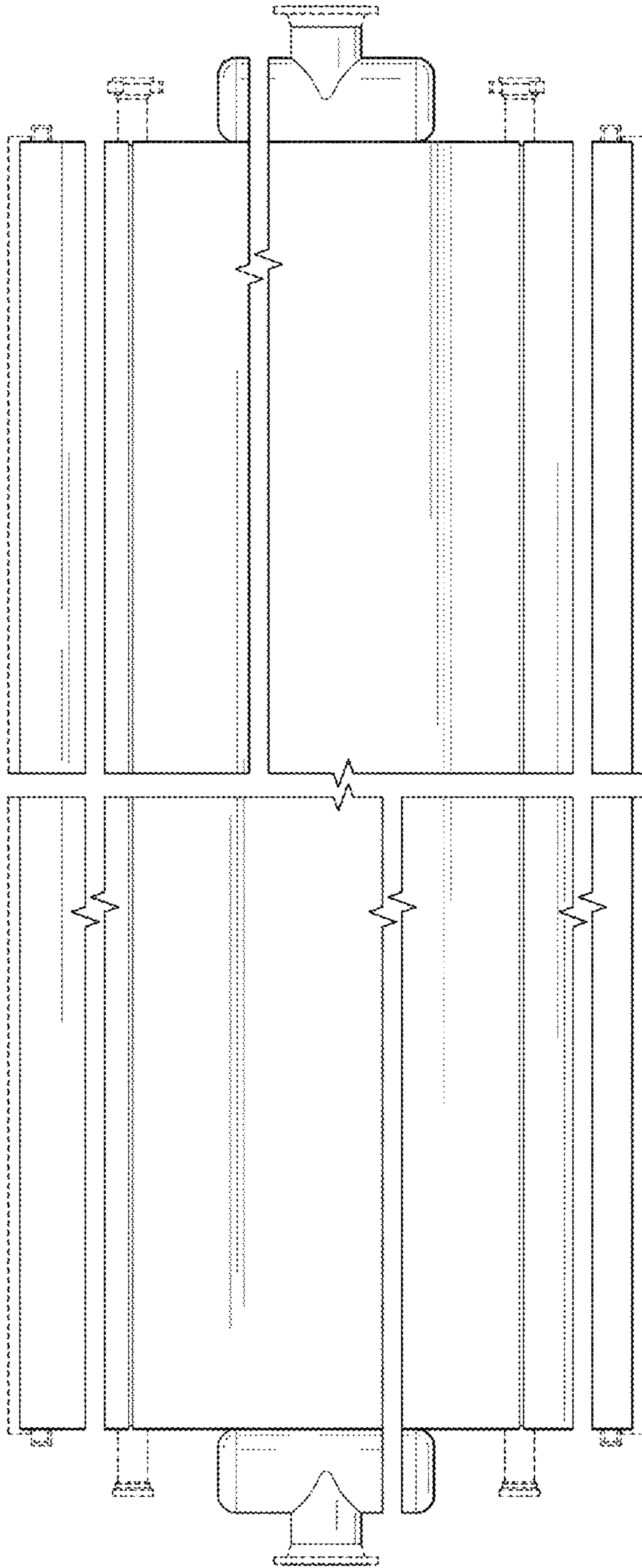


FIG. 2



FIG. 3

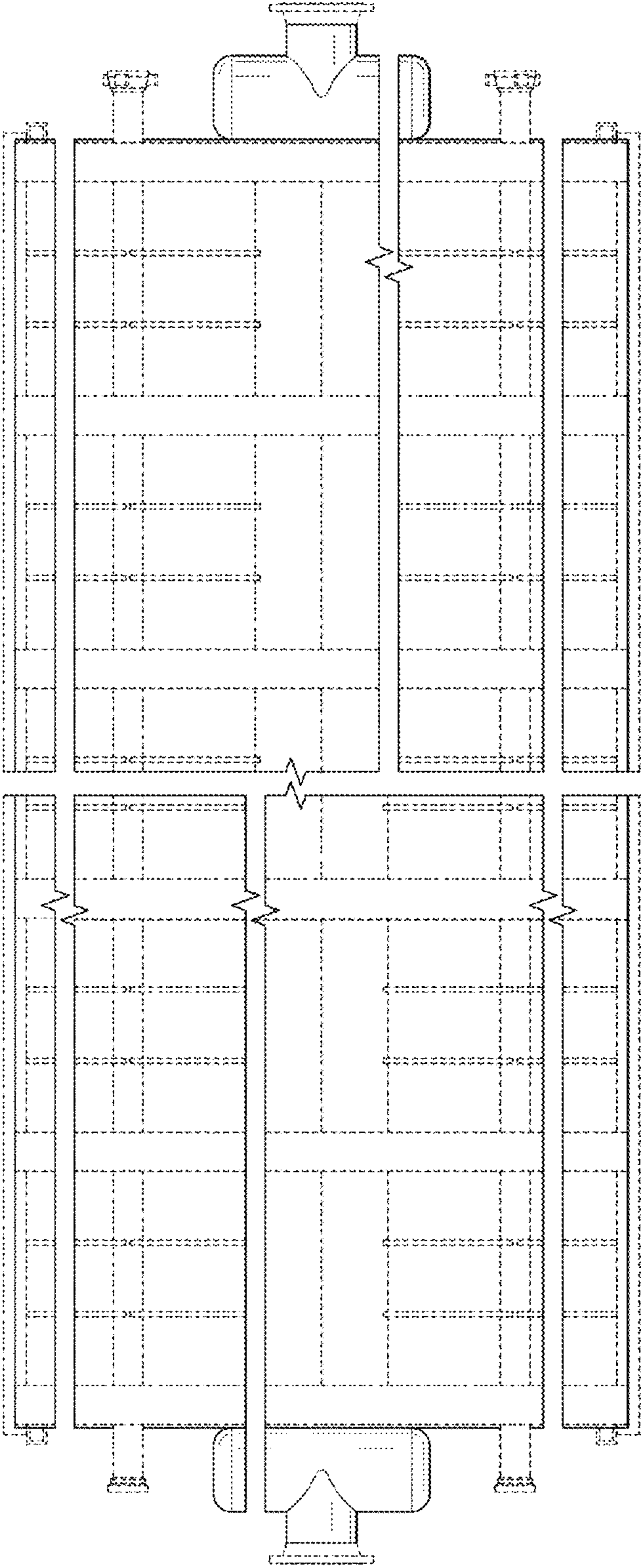


FIG. 4

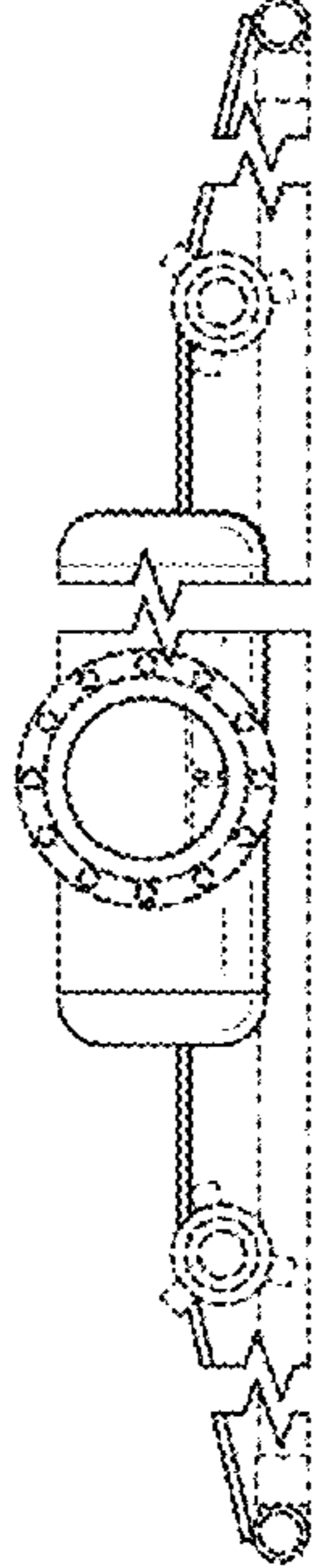


FIG. 6

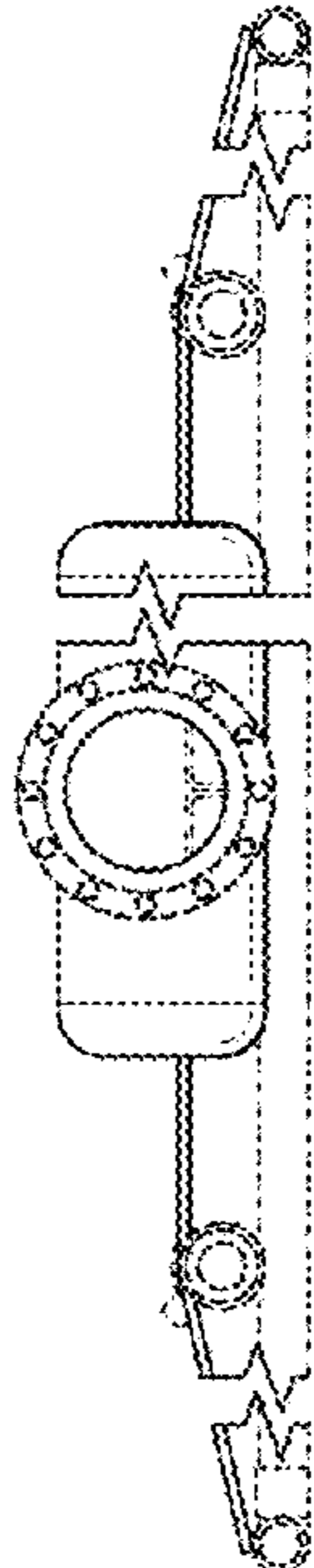


FIG. 5

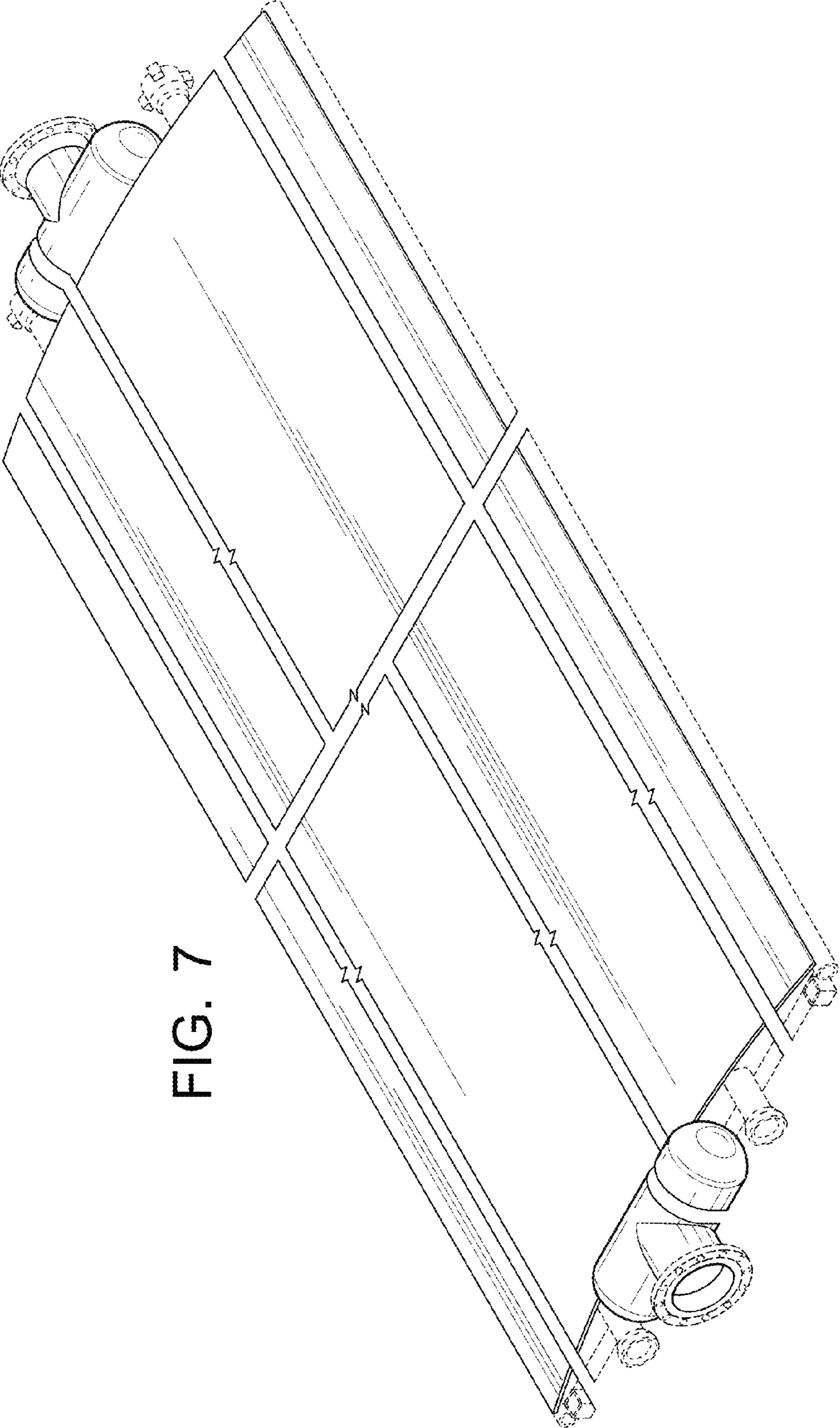


FIG. 7

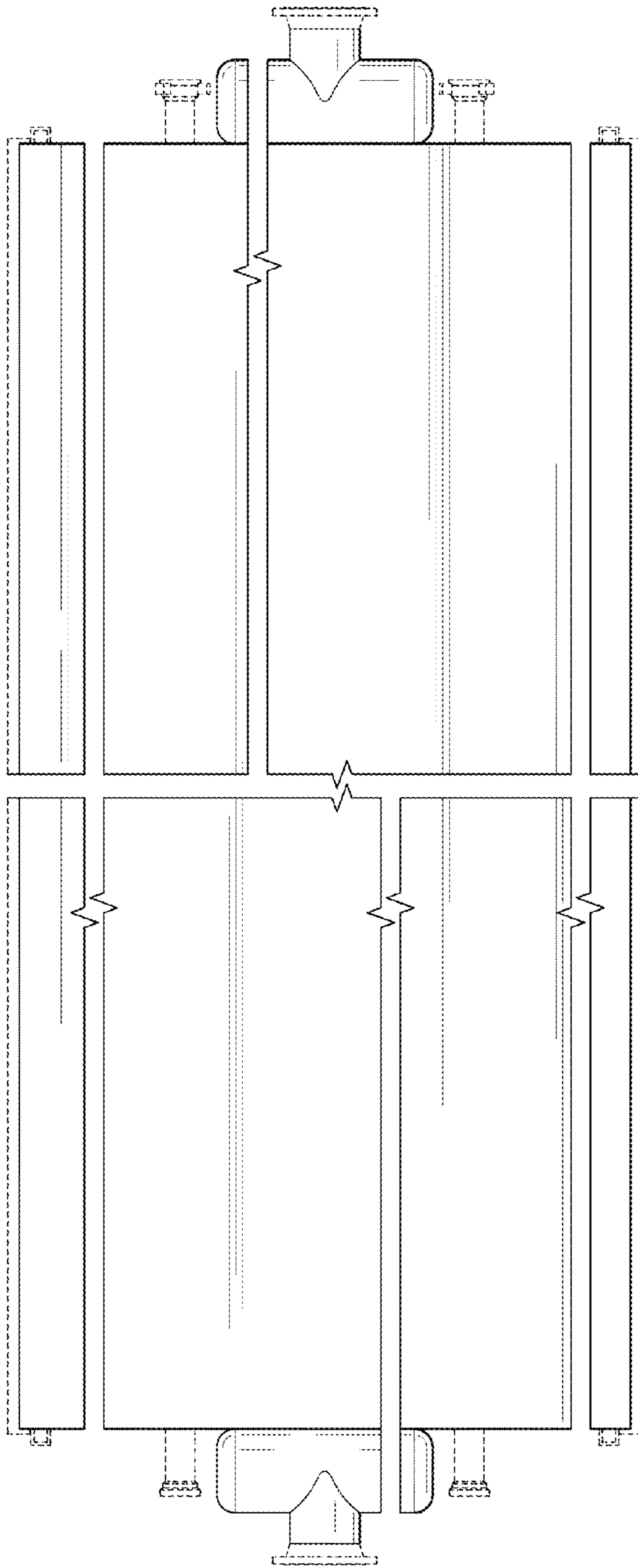


FIG. 8



FIG. 9

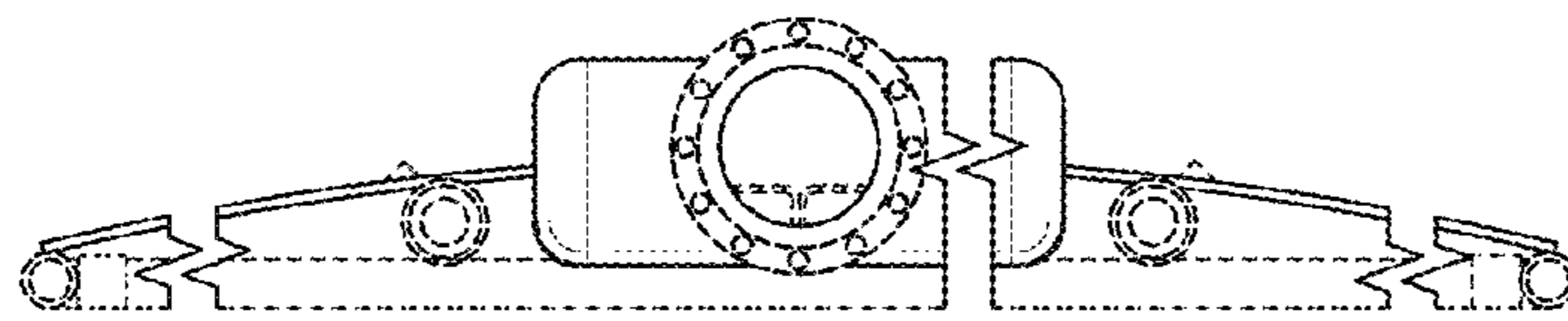


FIG. 10

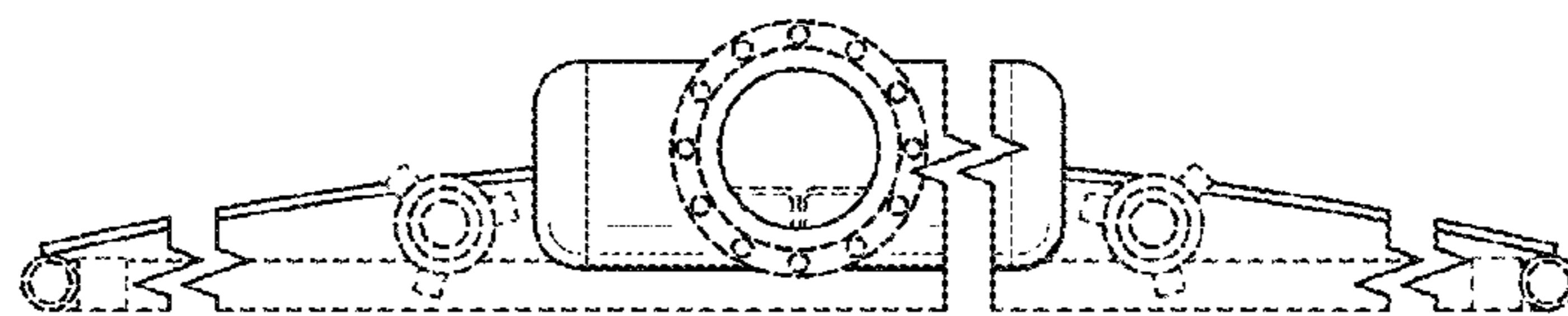


FIG. 11