

US00D763413S

(12) **United States Design Patent**
Takahata et al.

(10) **Patent No.:** **US D763,413 S**
(45) **Date of Patent:** **** Aug. 9, 2016**

(54) **FUEL INJECTION PIPE**
(71) Applicant: **Yanmar Co., Ltd.**, Osaka-shi (JP)
(72) Inventors: **Terumitsu Takahata**, Osaka (JP);
Hiroko Okita, Osaka (JP); **Makiko Adachi**, Osaka (JP)
(73) Assignee: **Yanmar Co., Ltd.**, Osaka (JP)
(**) Term: **14 Years**
(21) Appl. No.: **29/462,941**
(22) Filed: **Aug. 9, 2013**
(30) **Foreign Application Priority Data**
Feb. 14, 2013 (JP) 2013-2866
(51) **LOC (10) Cl.** **23-03**
(52) **U.S. Cl.**
USPC **D23/259**; D15/5
(58) **Field of Classification Search**
USPC D23/259-269, 235, 233; D8/382, 387;
D13/155; D24/129; 285/58, 83;
138/109; 123/468, 447, 458; D15/5
CPC F16L 23/00; F02M 39/00; F02M 55/02;
F02M 37/00; F02M 37/0017
See application file for complete search history.

(56) **References Cited**
U.S. PATENT DOCUMENTS
2,527,615 A * 10/1950 Beale F02M 59/00
123/447
4,168,689 A * 9/1979 Parr F02M 55/00
123/195 C
4,183,334 A * 1/1980 Van Dine F02D 33/00
123/510
4,327,695 A * 5/1982 Schechter F02D 41/40
123/499
5,033,435 A * 7/1991 Ostarello F02M 55/005
123/468
5,083,545 A * 1/1992 Yamashita F02B 67/00
123/195 R
6,076,507 A * 6/2000 Blizard F02D 33/006
123/198 DB
6,145,493 A * 11/2000 Espey F02M 39/00
123/456
6,189,510 B1 * 2/2001 Jaeger F02M 55/02
123/198 D

6,289,875 B1 * 9/2001 Shinohara F02M 39/005
123/450
6,431,150 B1 * 8/2002 Pearlman F02M 55/005
123/468
D482,761 S * 11/2003 Gotoh D23/233
7,264,021 B1 * 9/2007 Daikai B29C 57/04
138/123
D730,495 S * 5/2015 Umehara D23/262
D731,626 S * 6/2015 Umehara D23/262
2004/0200457 A1 * 10/2004 Gottemoller F02M 55/002
123/468
2006/0118195 A1 * 6/2006 Arima et al. B29C 57/04
138/126
2006/0254563 A1 * 11/2006 Keegan F02M 55/02
123/456
2007/0246016 A1 * 10/2007 Scheffel F02M 55/005
123/470
2008/0121303 A1 * 5/2008 Leggitt F16L 11/10
138/109
2008/0271709 A1 * 11/2008 Dingle F02D 15/04
123/447
2009/0031992 A1 * 2/2009 Lysinger F02M 55/02
123/470
2009/0159049 A1 * 6/2009 Sakagami F02M 61/14
123/456

(Continued)

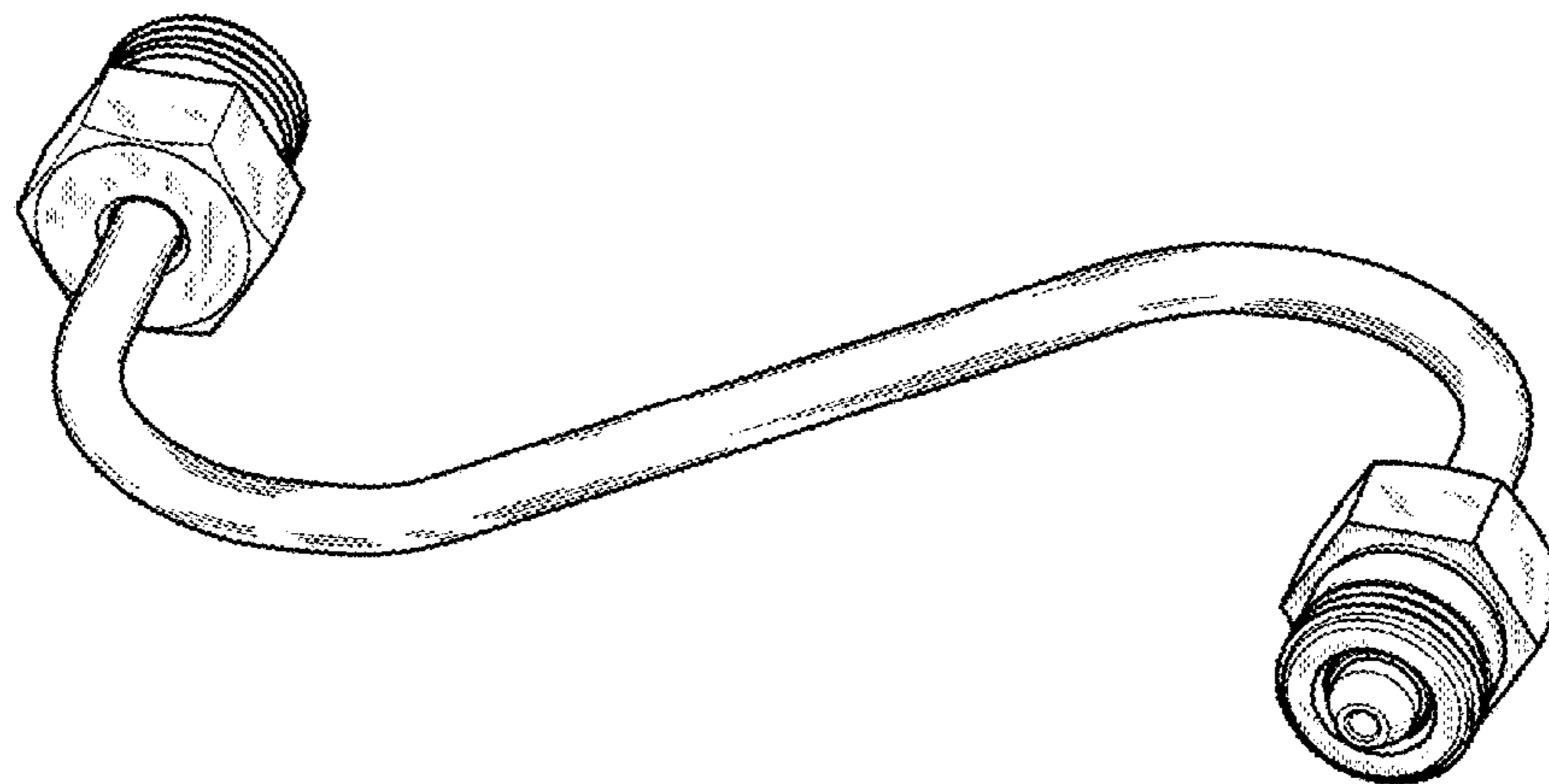
Primary Examiner — T. Chase Nelson
Assistant Examiner — Ania Aman
(74) *Attorney, Agent, or Firm* — Sterne, Kessler,
Goldstein & Fox P.L.L.C.

(57) **CLAIM**
The ornamental design for a fuel injection pipe, as shown and described.

DESCRIPTION

FIG. 1 is a perspective view of a fuel injection pipe showing our new design;
FIG. 2 is a front view thereof, the rear view being a mirror image;
FIG. 3 is a right side view thereof, the left side being a mirror image;
FIG. 4 is a top plan view thereof;
FIG. 5 is a bottom view thereof;
FIG. 6 is a cross-sectional view taken along line 6-6 in FIG. 3; and,
FIG. 7 is a perspective view showing a fuel injection pipe of the present invention in an environment in which it may be used.
In FIG. 7, the broken lines depict environmental subject matter only that forms no part of the claimed design.

1 Claim, 7 Drawing Sheets



(56)

References Cited

U.S. PATENT DOCUMENTS

| | | | | | | | | | |
|--------------|------|--------|-----------------|---------------------------|--------------|------|---------|-----------------|------------------------|
| 2009/0179421 | A1 * | 7/2009 | Stieler | F02M 55/004 285/148.19 | 2012/0024411 | A1 * | 2/2012 | Hahn | B01D 15/22 138/109 |
| 2010/0071663 | A1 * | 3/2010 | Patel | F02C 7/222 123/456 | 2012/0210980 | A1 * | 8/2012 | Bedekar | F02M 55/004 123/456 |
| 2010/0170476 | A1 * | 7/2010 | Ganser | F02M 55/025 123/447 | 2013/0133622 | A1 * | 5/2013 | Ishiki | F02M 55/02 123/456 |
| 2010/0186829 | A1 * | 7/2010 | Guerineau | F02M 55/002 137/312 | 2013/0175795 | A1 * | 7/2013 | Taylor | F02M 37/0017 285/45 |
| 2012/0017875 | A1 * | 1/2012 | Ishiki | F02M 55/02 123/468 | 2014/0261839 | A1 * | 9/2014 | Pelletier | F16L 11/22 138/109 |
| | | | | | 2014/0360469 | A1 * | 12/2014 | Ganser | F02M 55/001 123/445 |

* cited by examiner

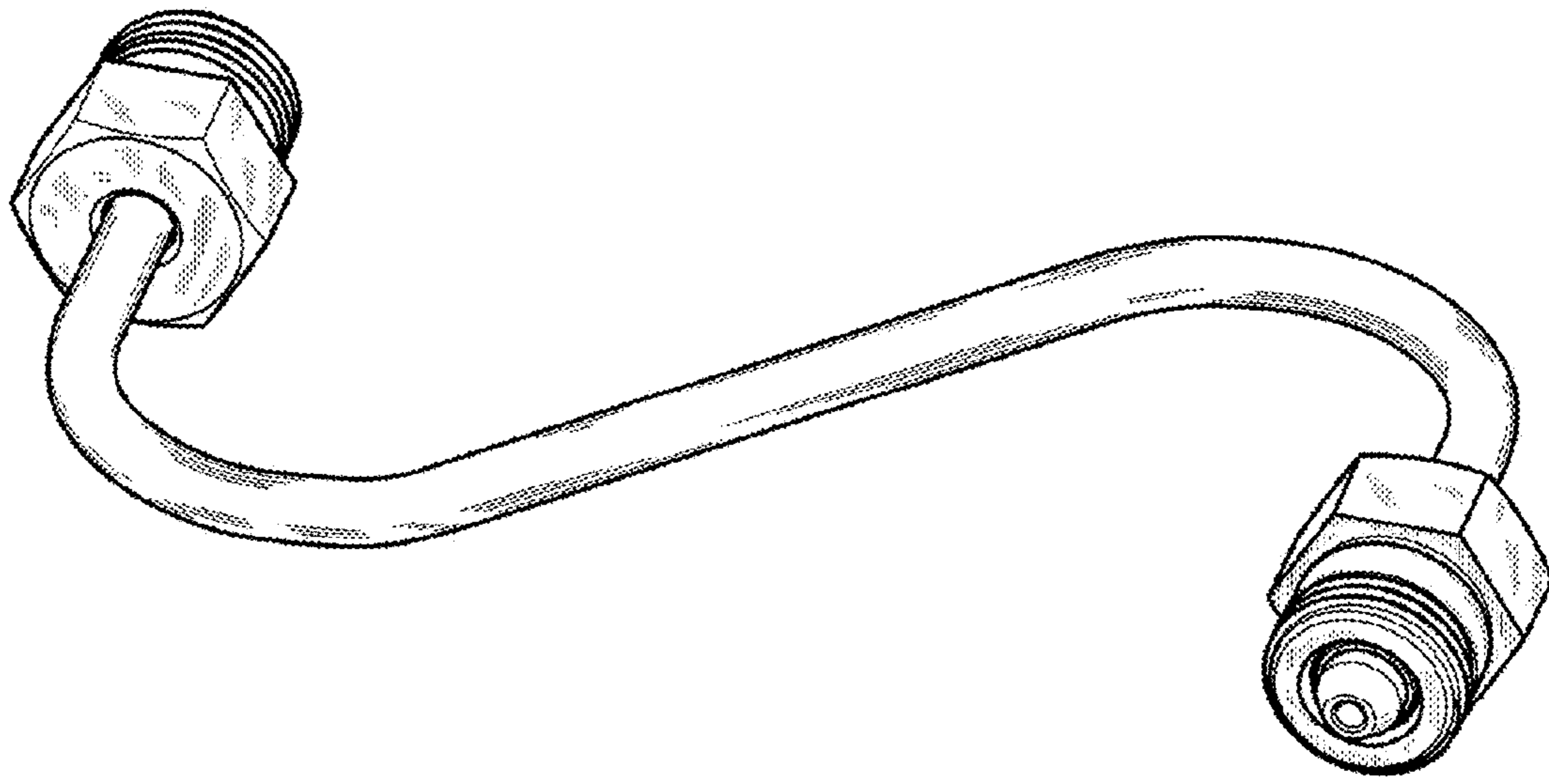


FIG. 1

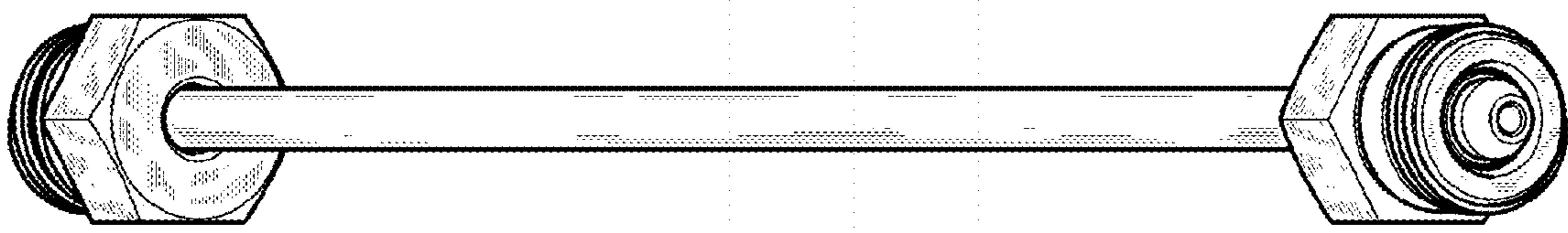


FIG. 2

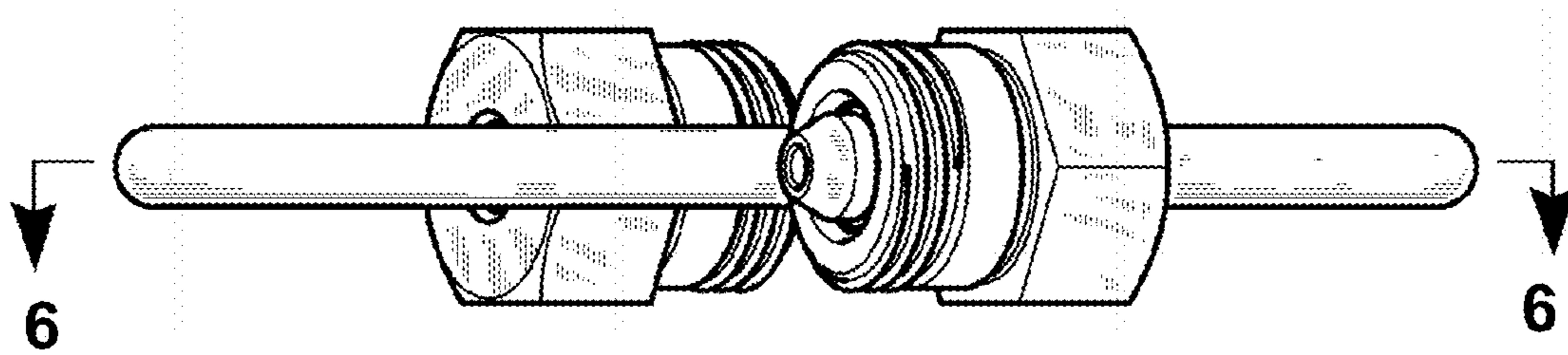


FIG. 3

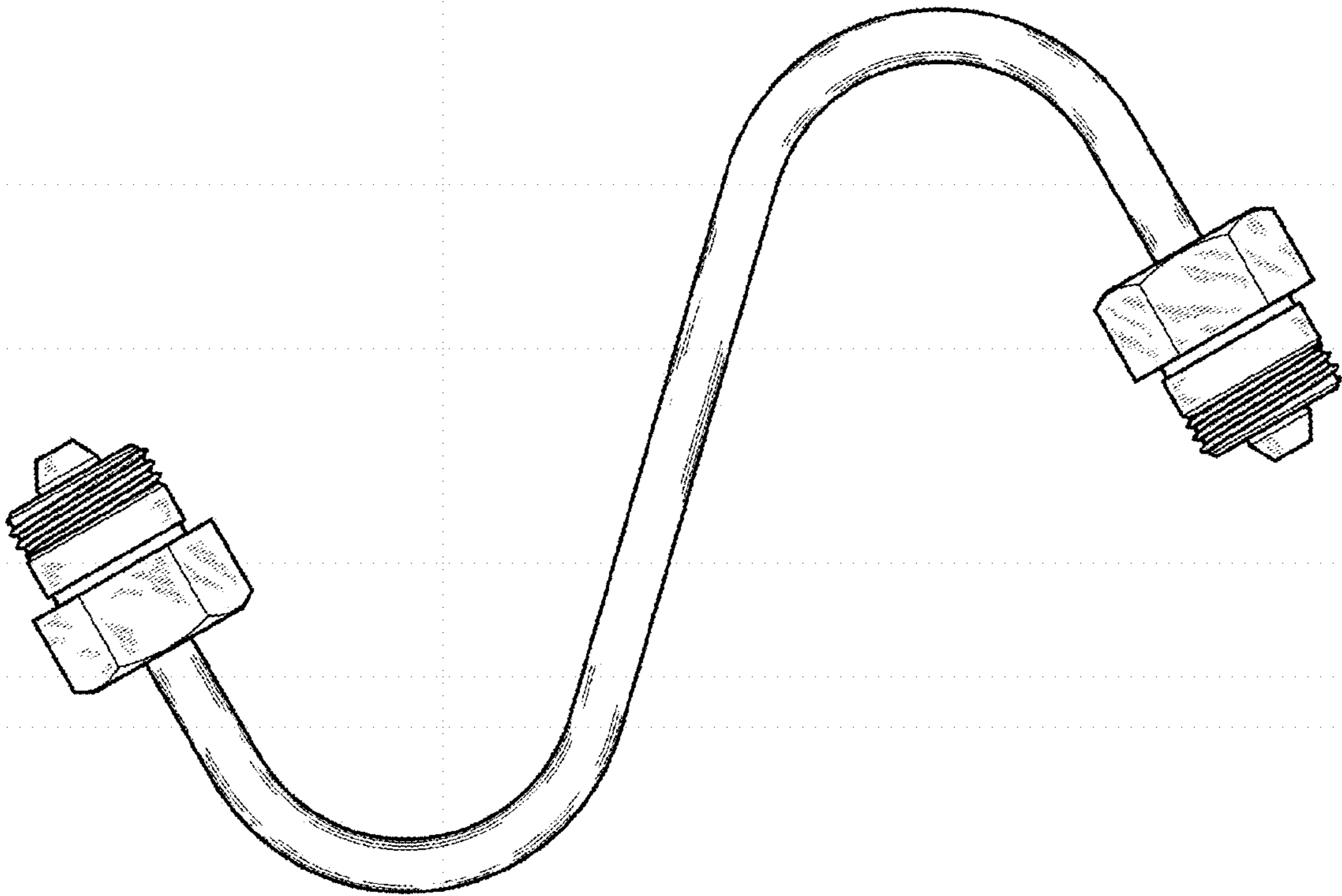


FIG. 4

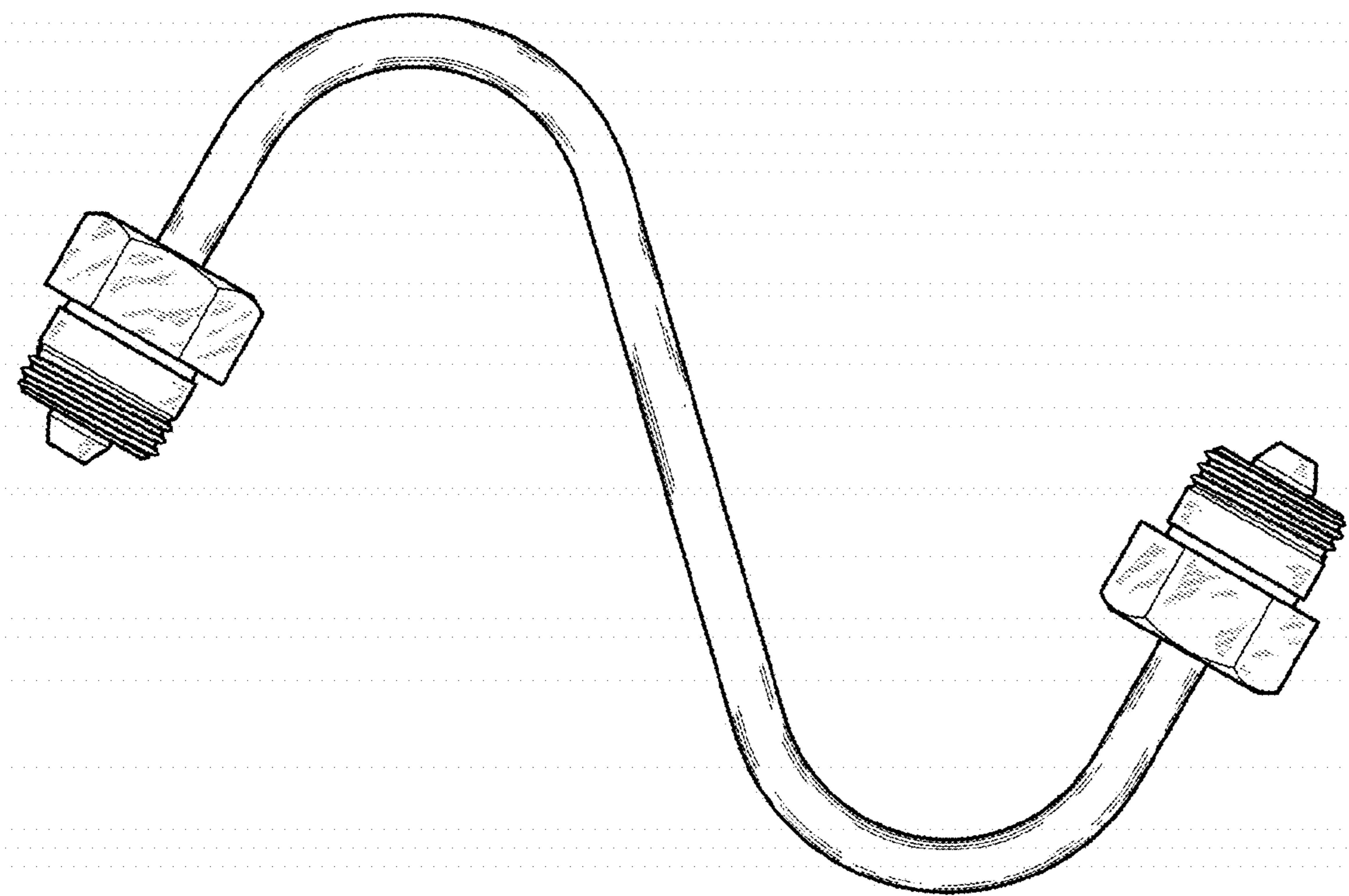


FIG. 5

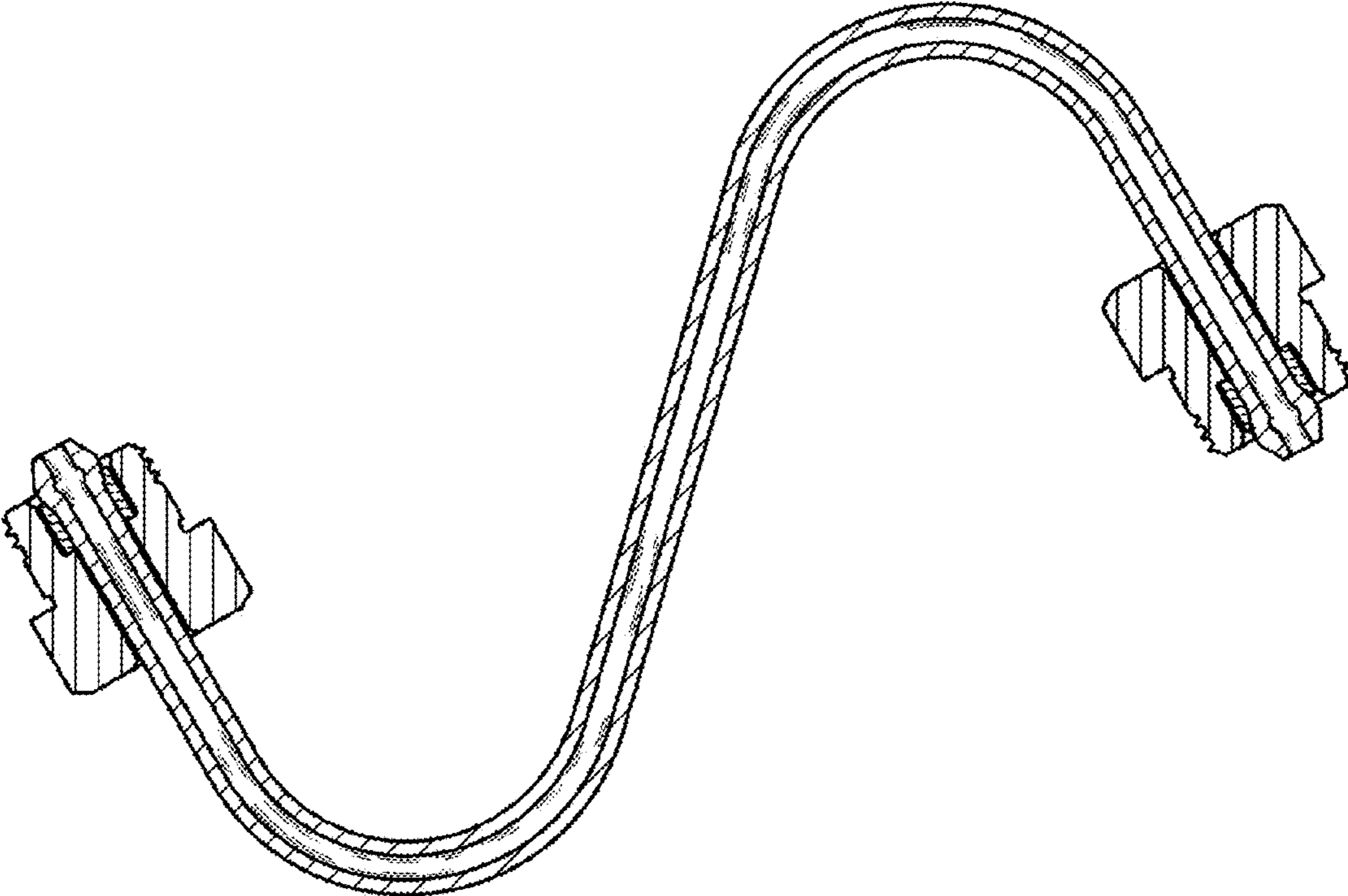


FIG. 6

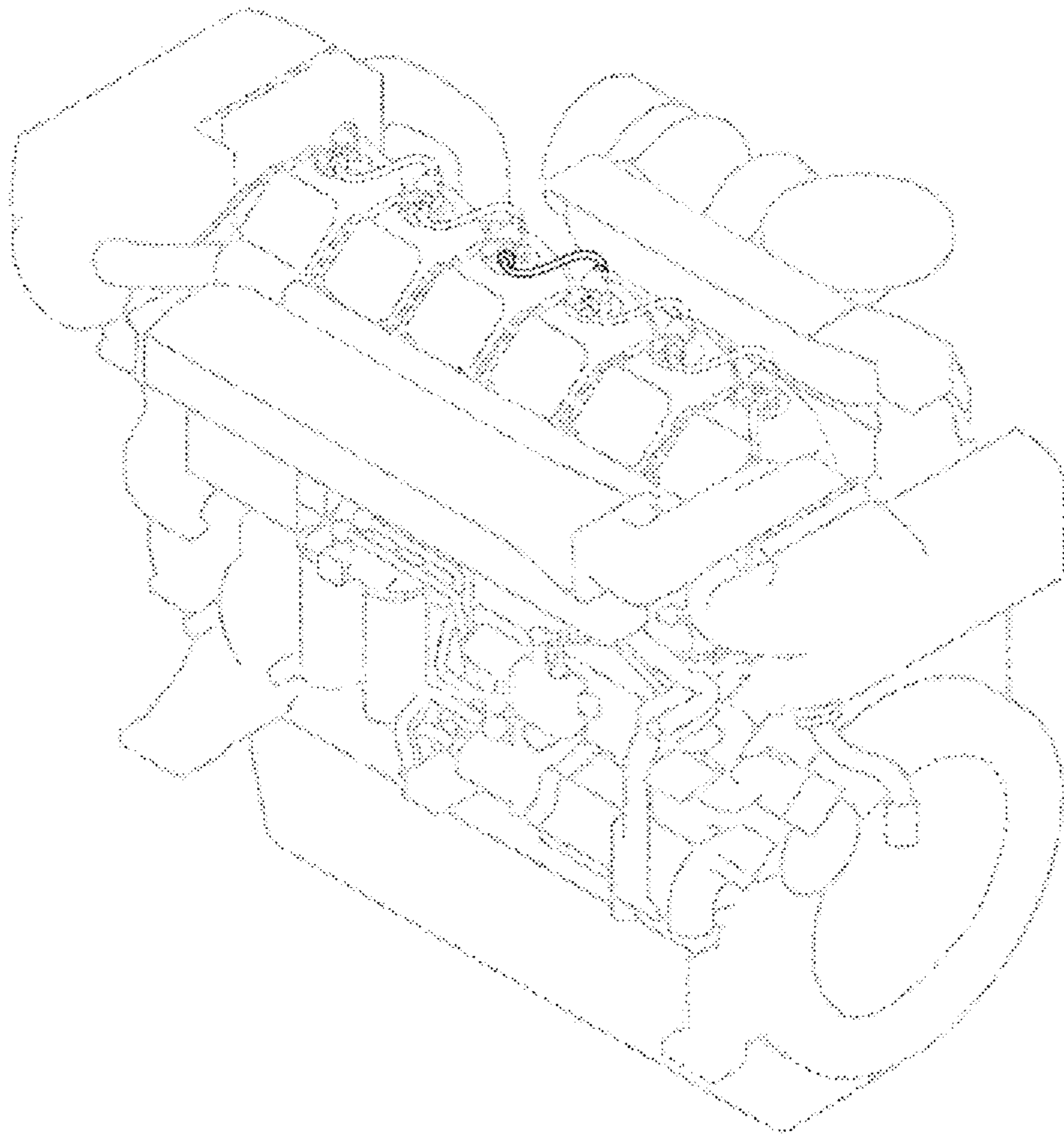


FIG. 7