



US00D763412S

(12) **United States Design Patent**
Garland

(10) **Patent No.:** **US D763,412 S**

(45) **Date of Patent:** **** Aug. 9, 2016**

(54) **FAUCET HANDLE BASE**

(71) Applicant: **Delta Faucet Company**, Indianapolis, IN (US)

(72) Inventor: **Celine Kwok Garland**, Zionsville, IN (US)

(73) Assignee: **DELTA FAUCET COMPANY**, Indianapolis, IN (US)

(**) Term: **15 Years**

(21) Appl. No.: **29/531,325**

(22) Filed: **Jun. 25, 2015**

(51) **LOC (10) Cl.** **23-02**

(52) **U.S. Cl.**
USPC **D23/252**

(58) **Field of Classification Search**
USPC D23/238, 241-243, 249, 250, 252, 254
CPC E03C 1/04; E03C 1/0401; E03C 1/0402;
E03C 1/0404

See application file for complete search history.

(56) **References Cited**

U.S. PATENT DOCUMENTS

D718,839 S	*	12/2014	Garland	D23/252
D718,840 S	*	12/2014	Garland	D23/252
D718,841 S	*	12/2014	Garland	D23/252
D718,843 S	*	12/2014	Garland	D23/255

* cited by examiner

Primary Examiner — Robert Delehanty

(74) *Attorney, Agent, or Firm* — Edgar A. Zarins; Nirav D. Parikh

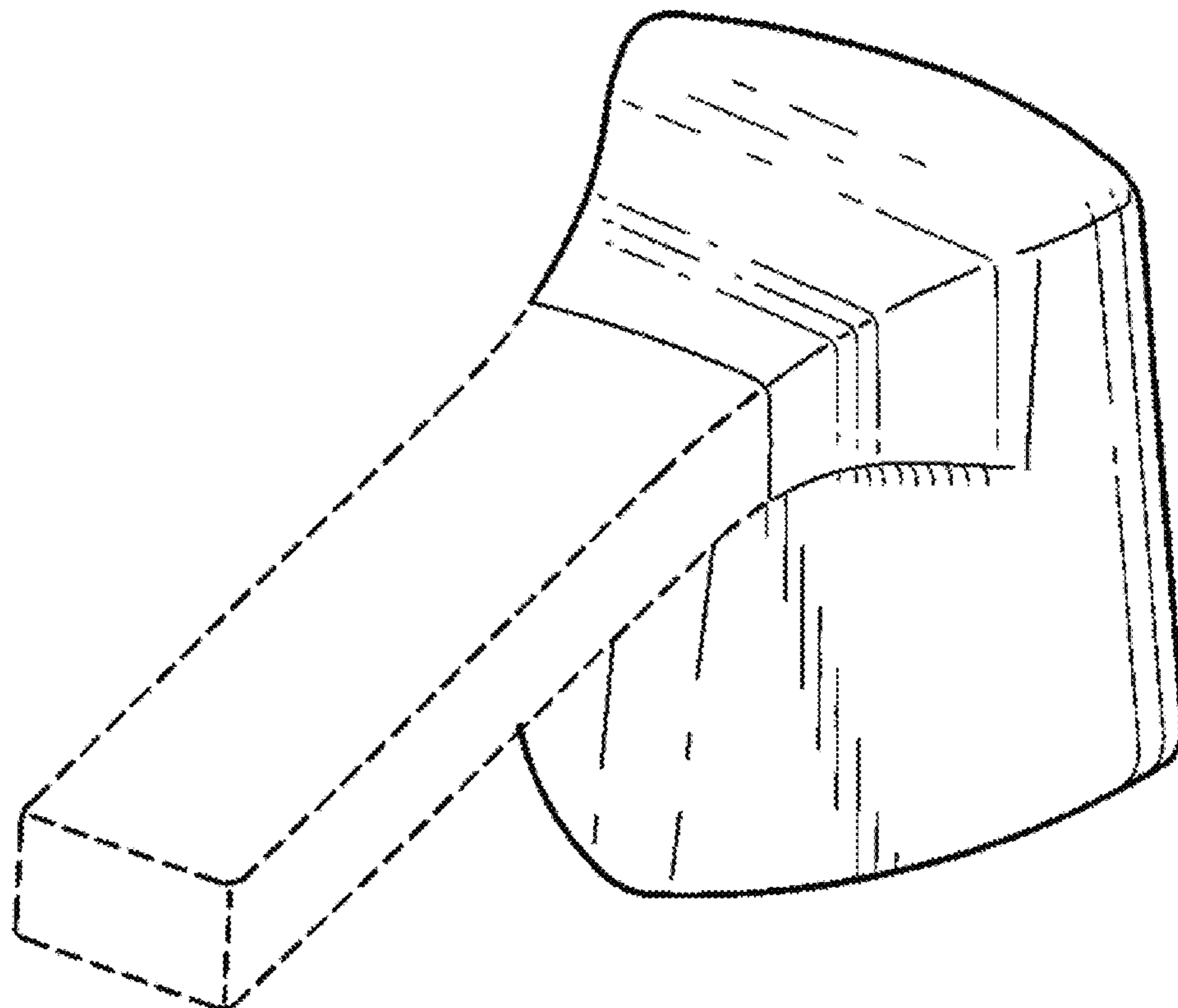
(57) **CLAIM**

The ornamental design for a faucet handle base, as shown and described.

DESCRIPTION

FIG. 1 is a perspective view of a faucet handle base showing my new design;
FIG. 2 is a first end view thereof;
FIG. 3 is a second end view thereof;
FIG. 4 is a top plan view thereof;
FIG. 5 is a first side view thereof, the opposite side being a mirror image of the side shown; and,
FIG. 6 is a bottom view thereof.
The broken lines showing portions of the faucet handle form no part of the claimed design.

1 Claim, 2 Drawing Sheets



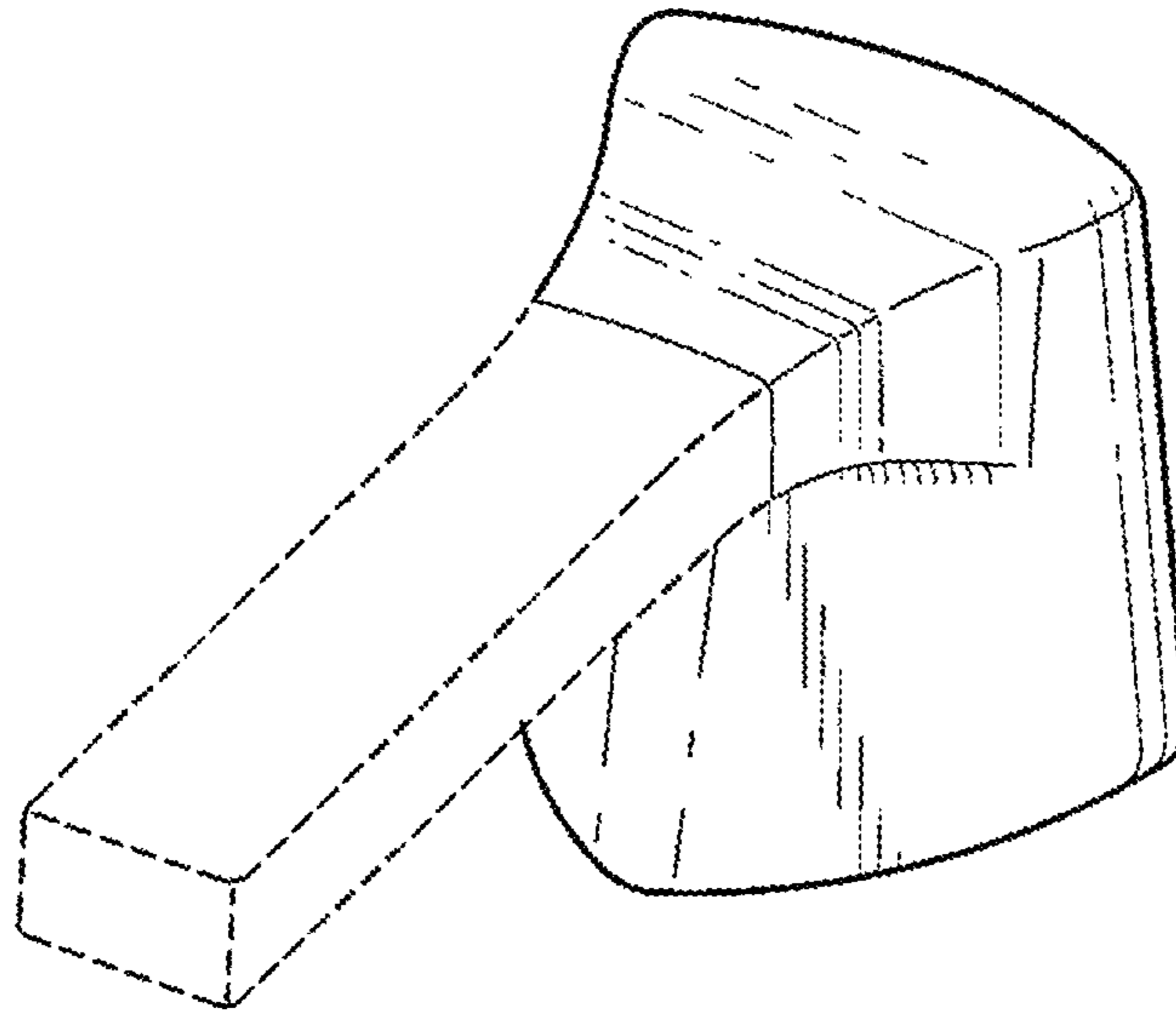


Fig-1

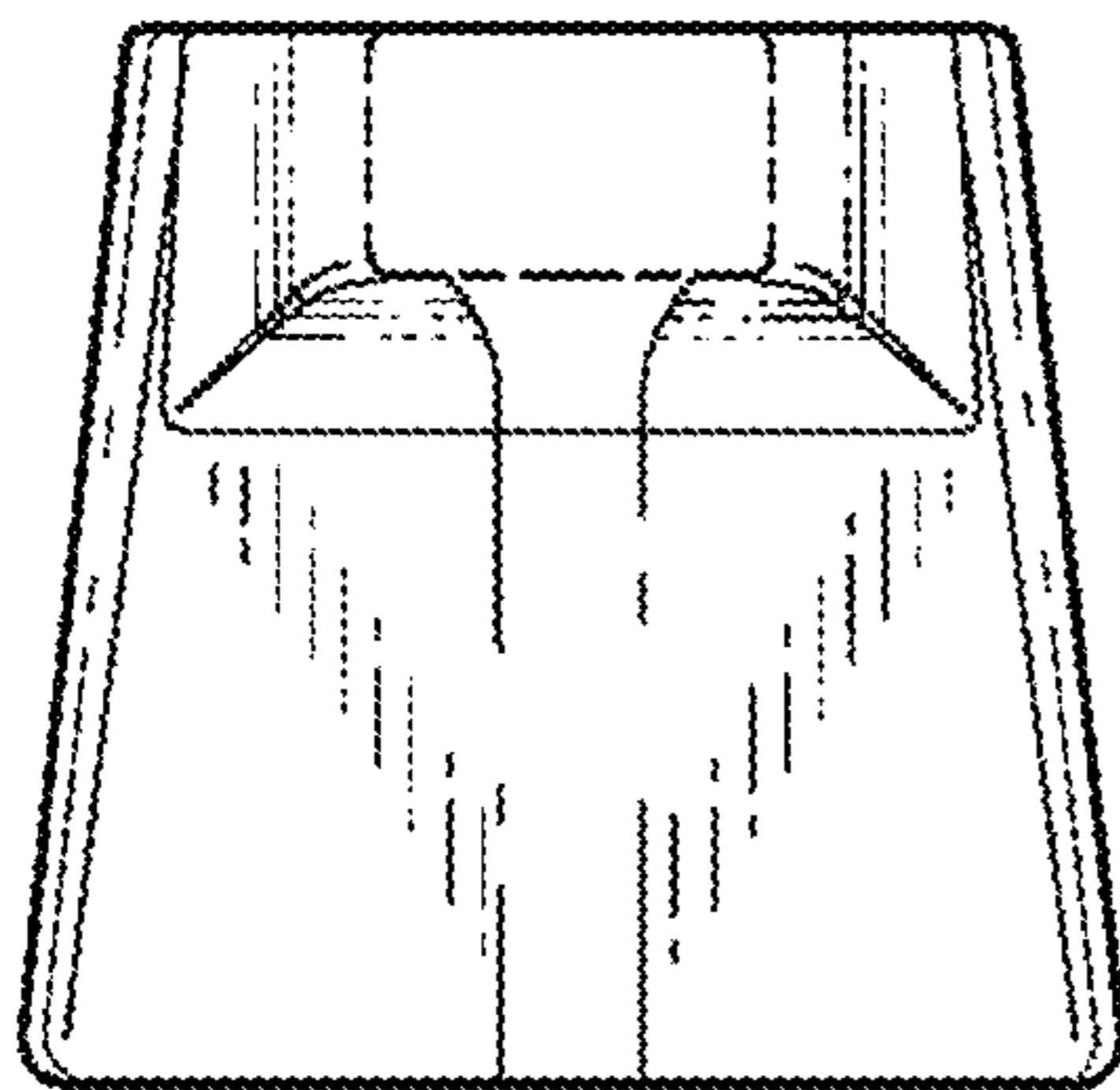


Fig-2

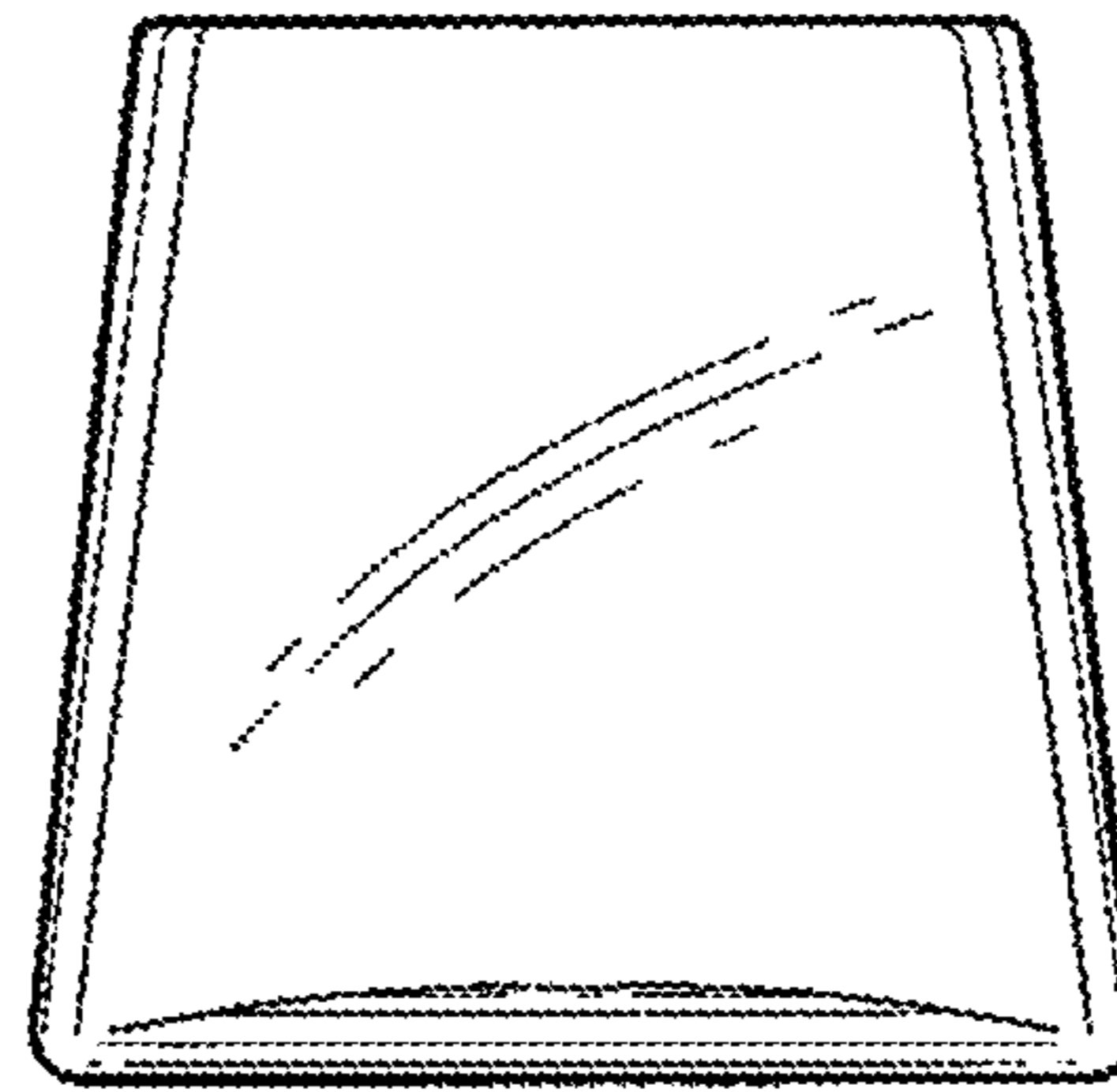


Fig-3

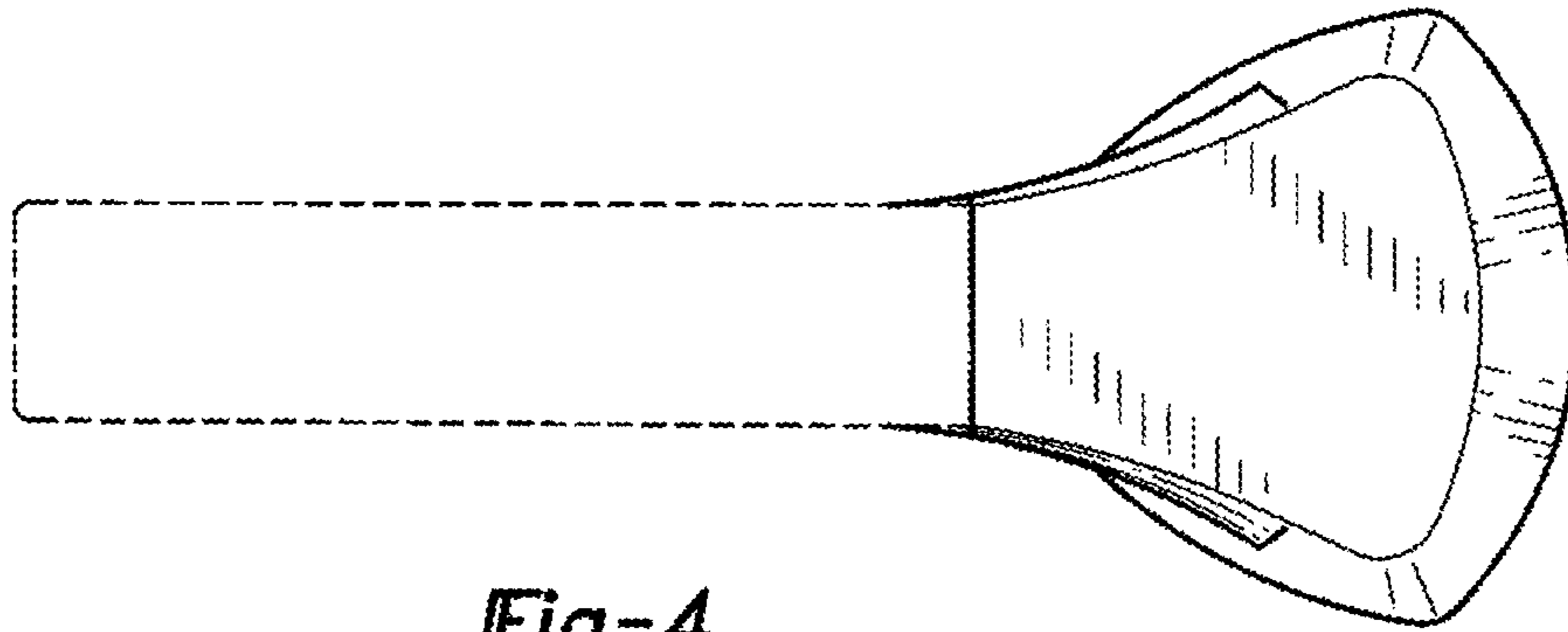


Fig-4

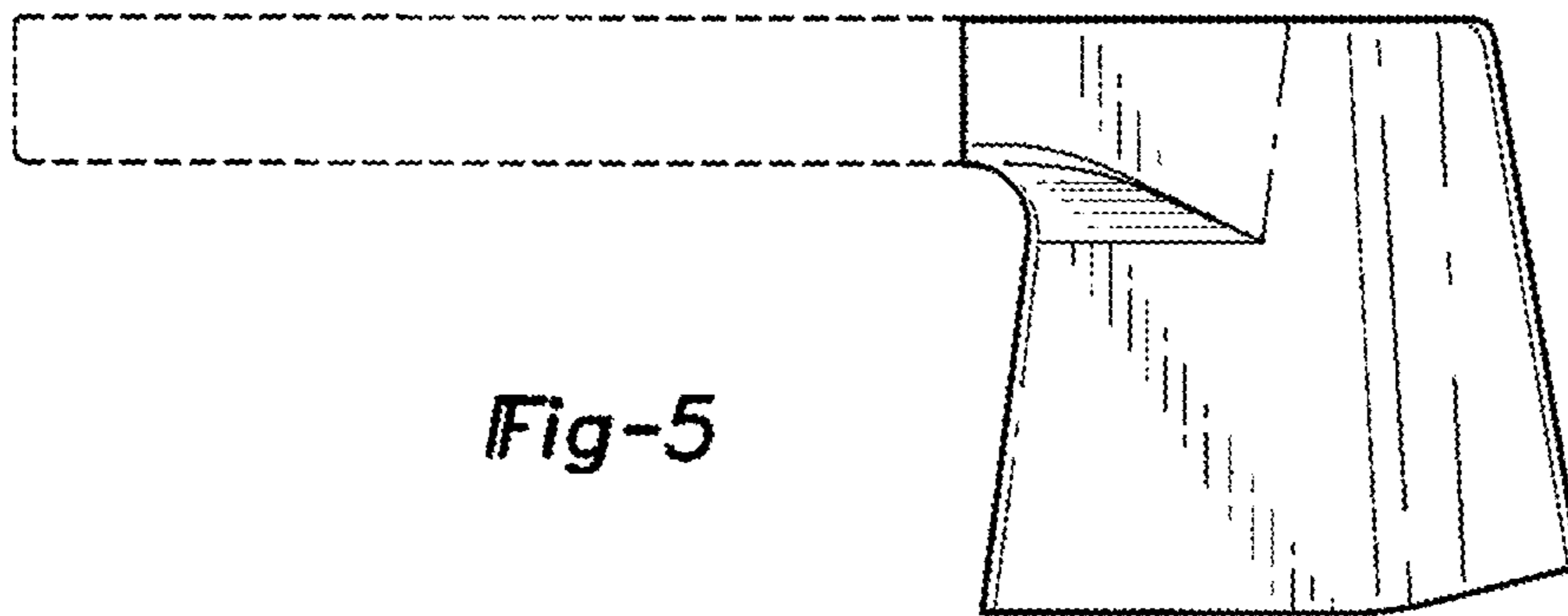


Fig-5

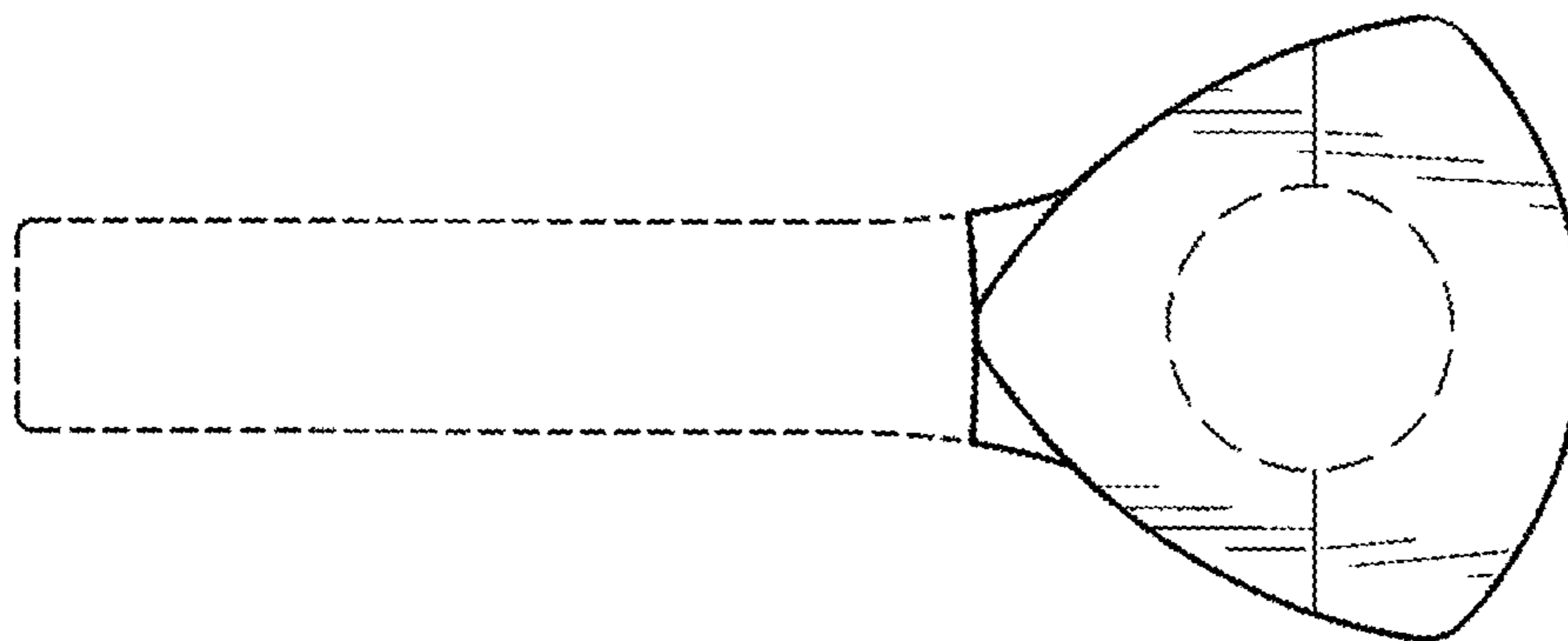


Fig-6