



US00D763408S

(12) **United States Design Patent**  
**Garland**

(10) **Patent No.:** **US D763,408 S**

(45) **Date of Patent:** **\*\* Aug. 9, 2016**

(54) **SHOWERHEAD**

(71) Applicant: **Delta Faucet Company**, Indianapolis,  
IN (US)

(72) Inventor: **Celine Kwok Garland**, Zionsville, IN  
(US)

(73) Assignee: **DELTA FAUCET COMPANY**,  
Indianapolis, IN (US)

(\*\*) Term: **15 Years**

(21) Appl. No.: **29/531,319**

(22) Filed: **Jun. 25, 2015**

(51) **LOC (10) Cl.** ..... **23-01**

(52) **U.S. Cl.**  
USPC ..... **D23/213**

(58) **Field of Classification Search**  
USPC ..... D23/213, 223, 226, 229, 230; 239/525,  
239/526, 459, 282, 283  
CPC ..... B05B 1/00; B05B 9/01; B05B 1/18  
See application file for complete search history.

(56) **References Cited**

U.S. PATENT DOCUMENTS

D316,891 S *	5/1991	Lee .....	D23/213
D472,958 S *	4/2003	Ouyoung .....	D23/213
D479,301 S *	9/2003	Ouyoung .....	D23/213
D559,952 S *	1/2008	Bickler .....	D23/213
D751,172 S *	3/2016	Bahler .....	D23/213

\* cited by examiner

*Primary Examiner* — Robin V Webster

(74) *Attorney, Agent, or Firm* — Edgar A. Zarins; Nirav D. Parikh

(57) **CLAIM**

The ornamental design for a showerhead, as shown and described.

**DESCRIPTION**

FIG. 1 is a perspective view of a showerhead showing my new design;

FIG. 2 is a first side view thereof;

FIG. 3 is a second side view thereof;

FIG. 4 is a third side view thereof;

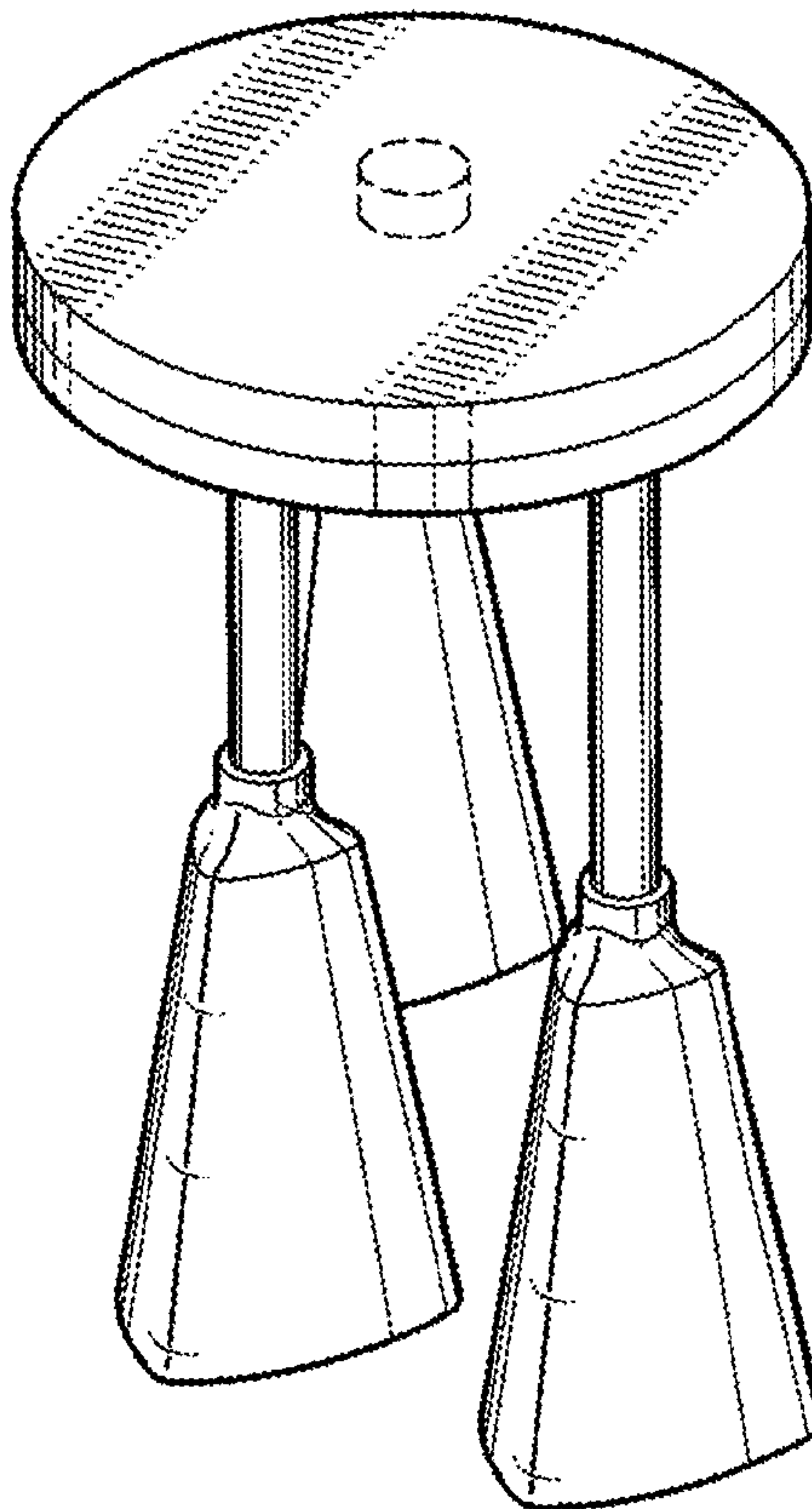
FIG. 5 is a fourth side view thereof;

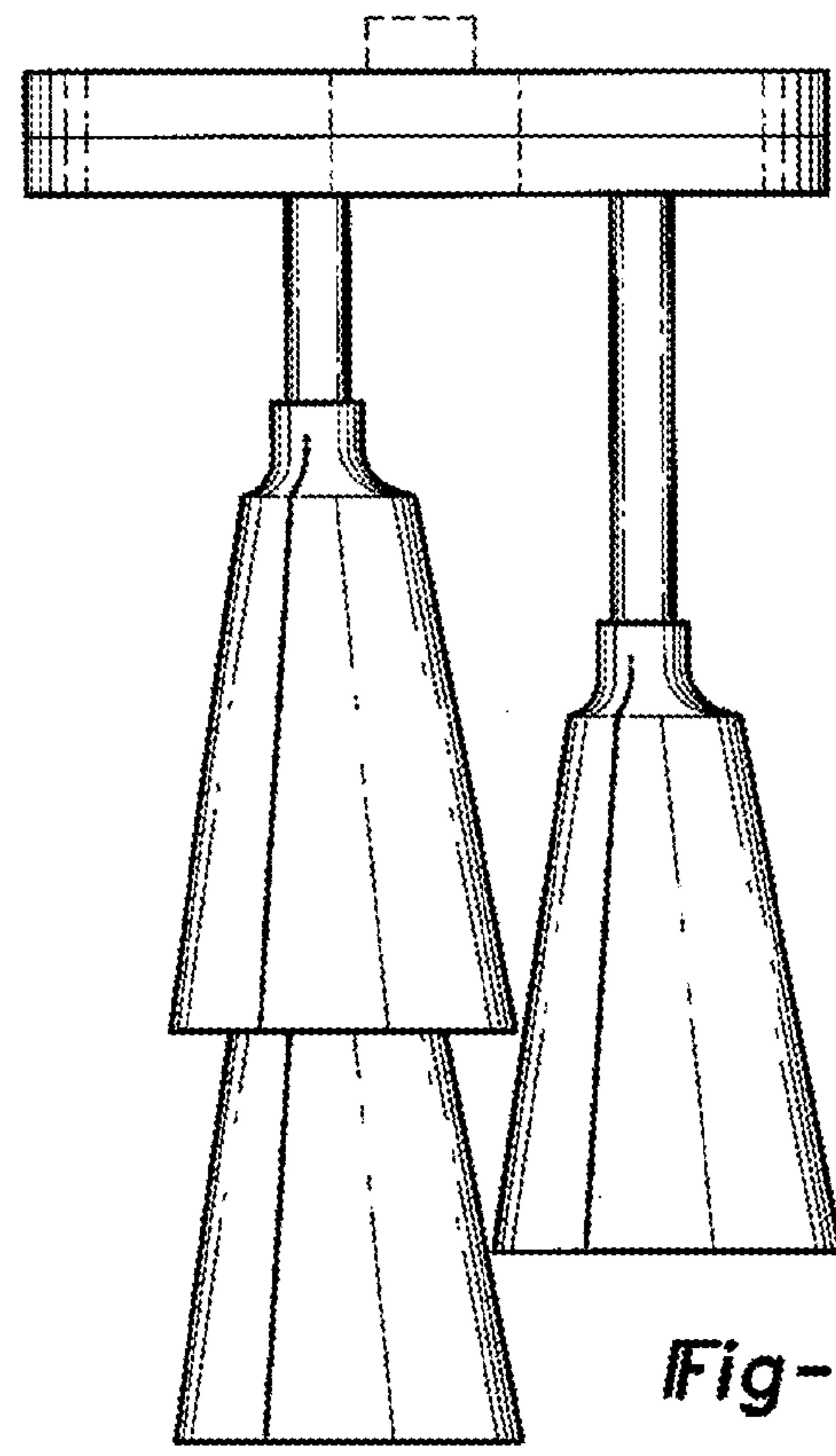
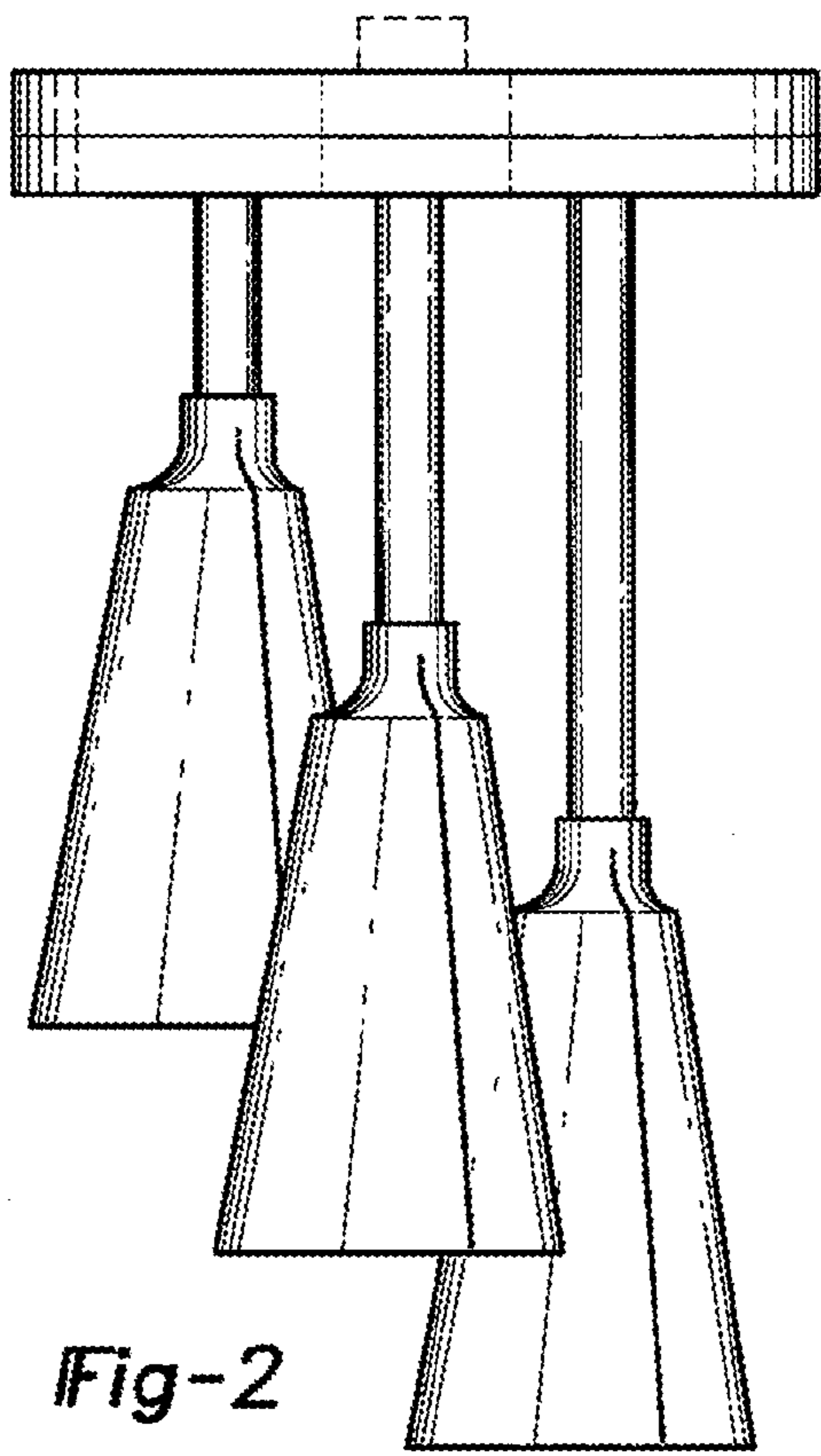
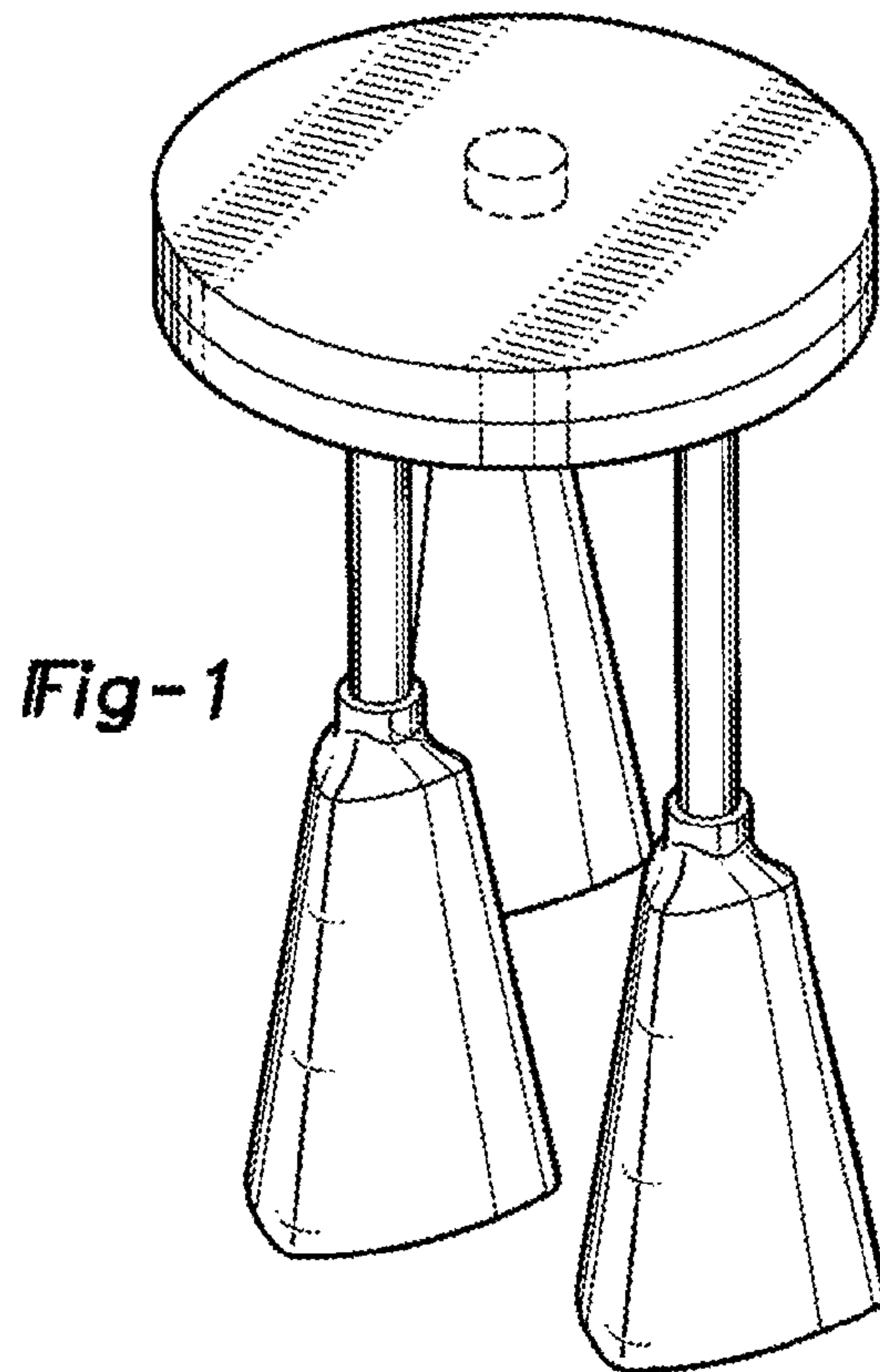
FIG. 6 is a top plan view thereof; and,

FIG. 7 is a bottom view thereof.

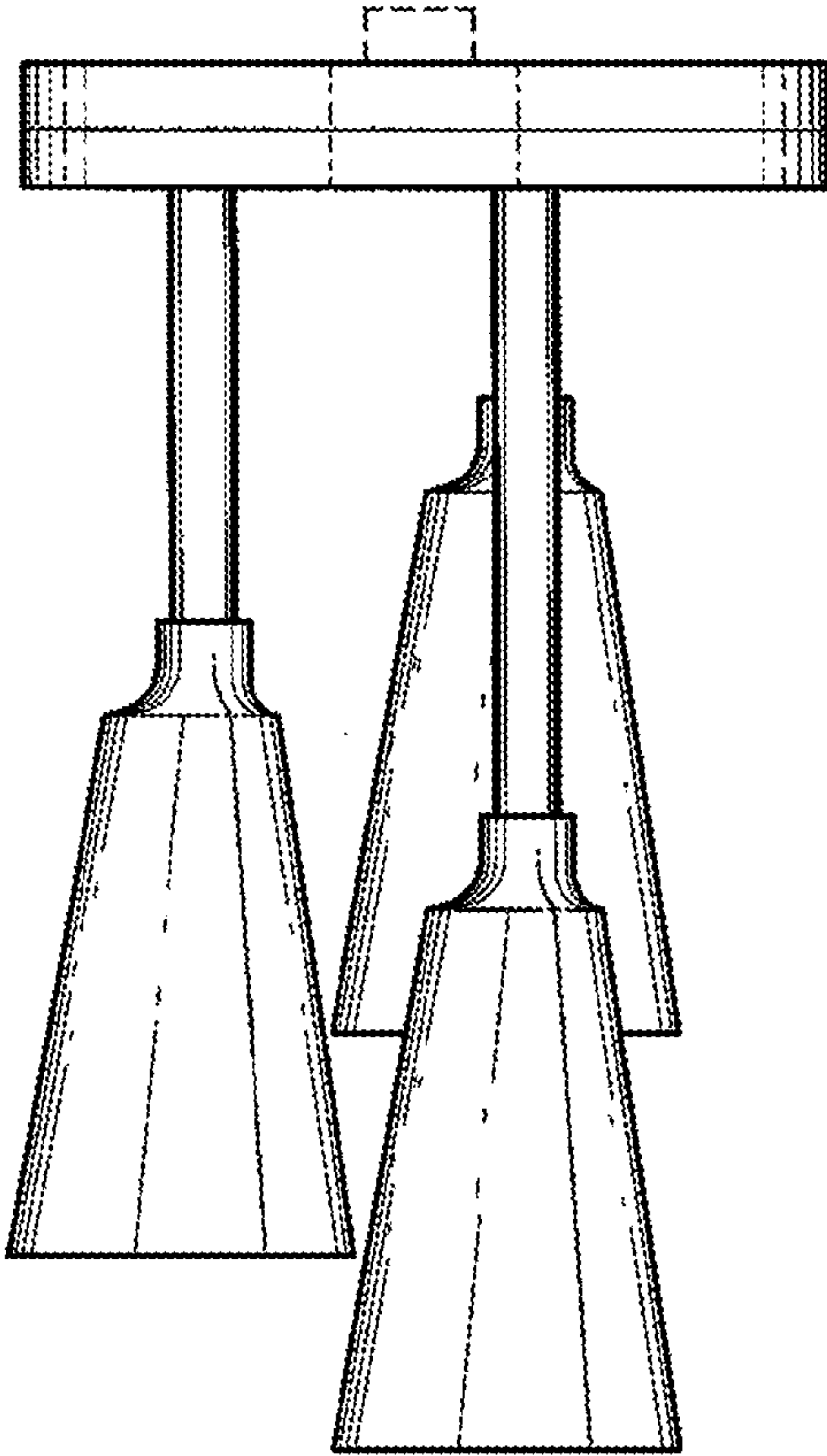
The broken line showing in FIGS. 1-7 is included for the purpose of illustrating and forms no part of the claimed design.

**1 Claim, 2 Drawing Sheets**

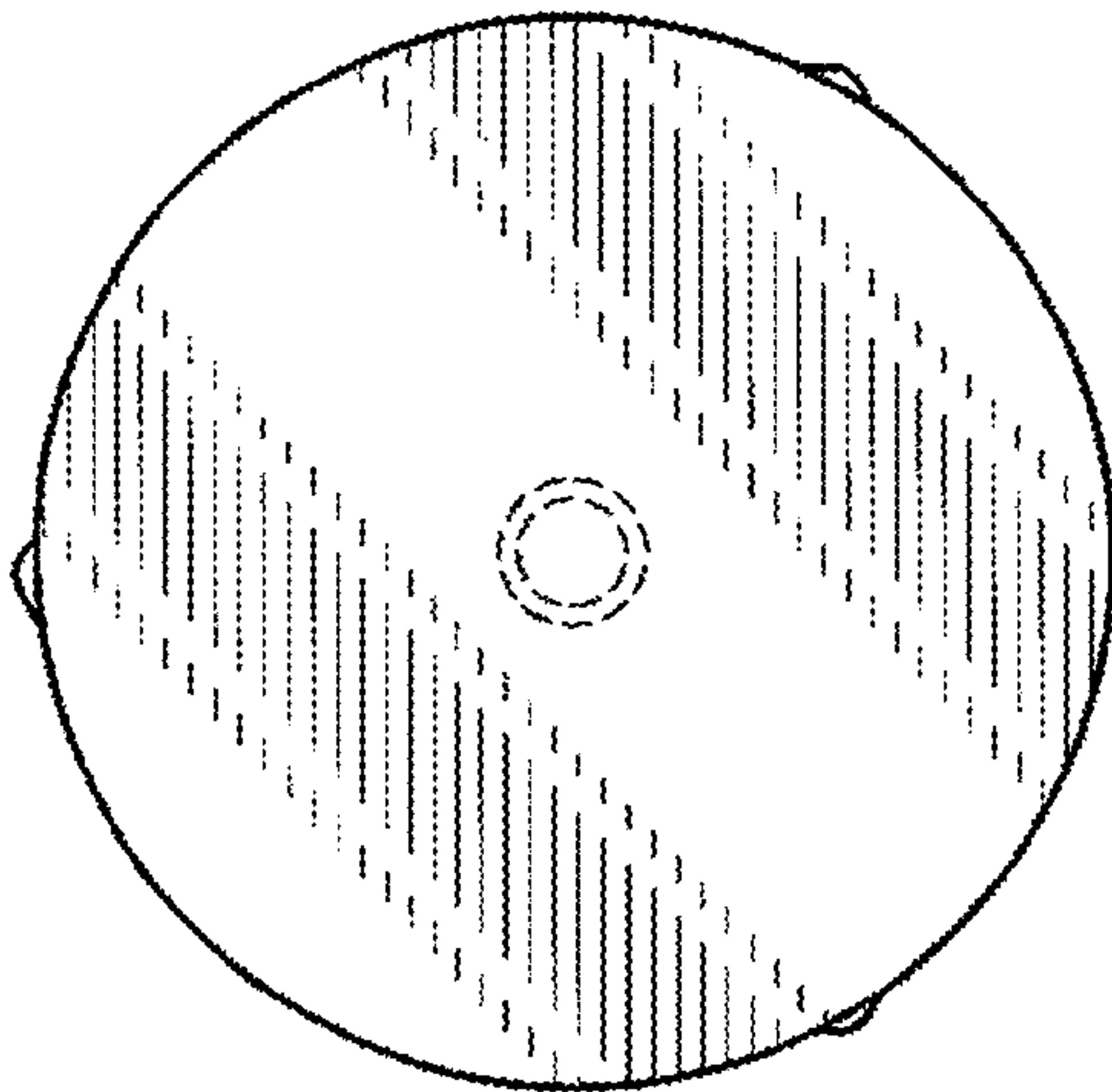
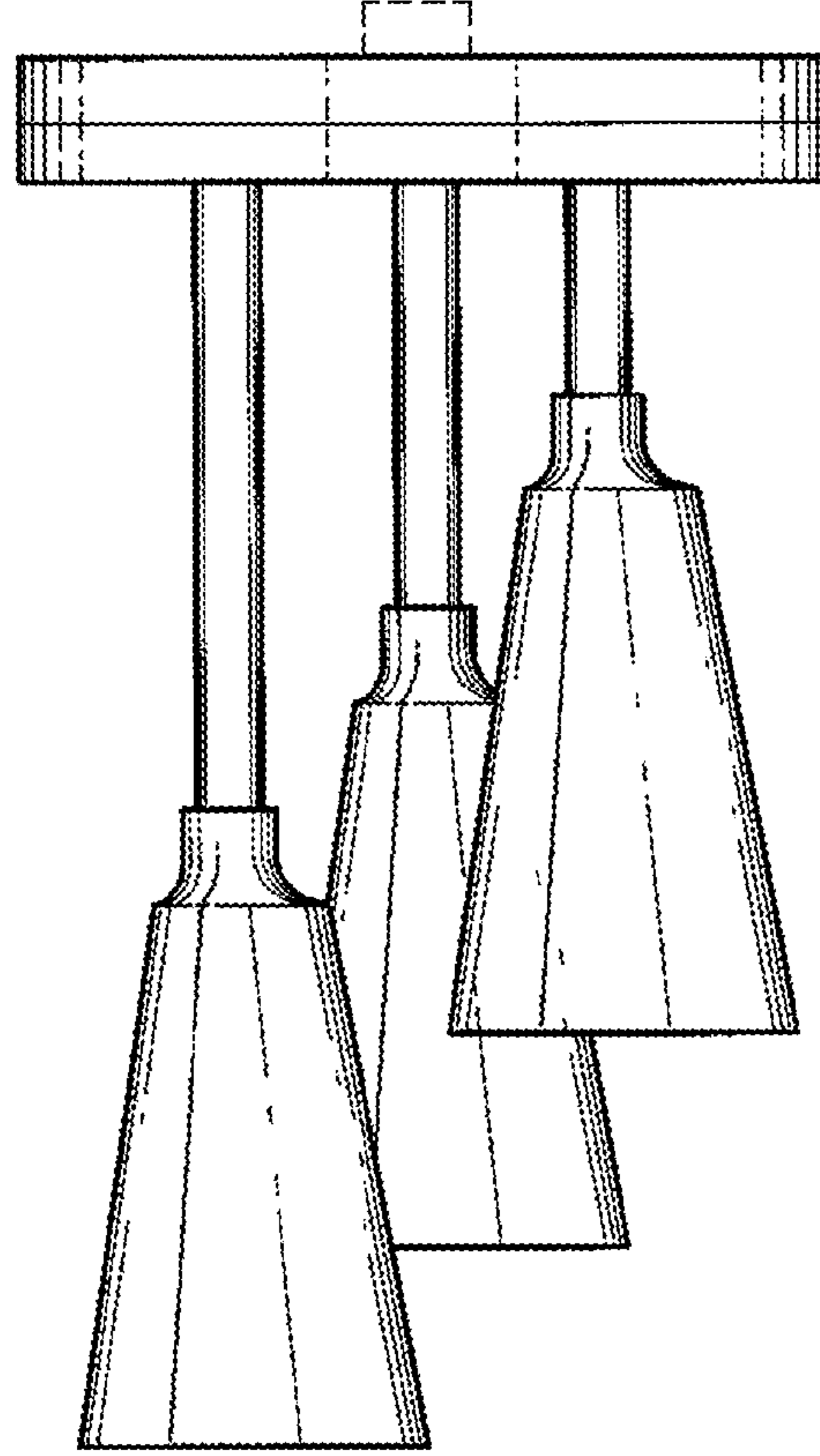




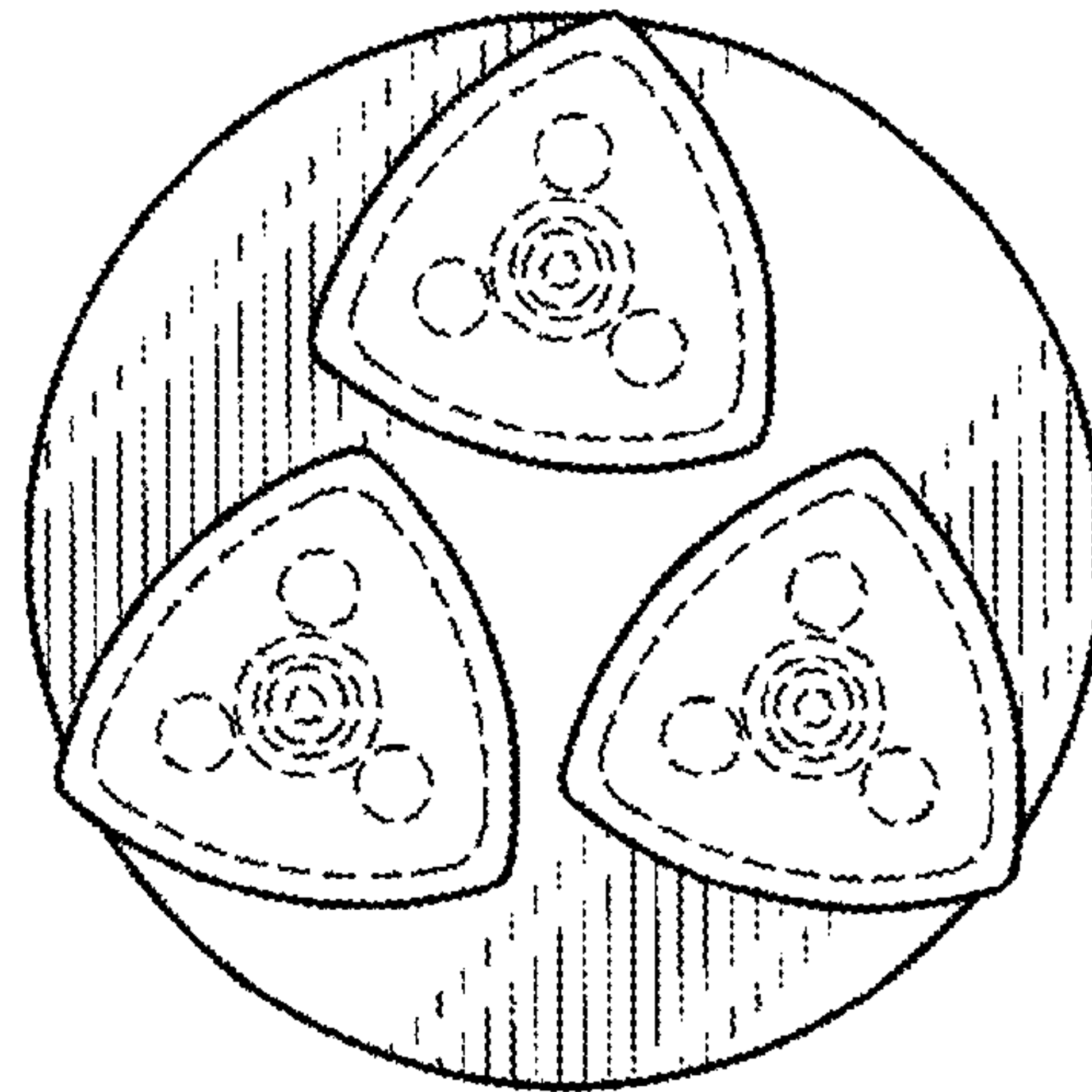
*Fig-4*



*Fig-5*



*Fig-6*



*Fig-7*