



US00D763407S

(12) **United States Design Patent**
Shin

(10) **Patent No.:** **US D763,407 S**

(45) **Date of Patent:** **** Aug. 9, 2016**

(54) **WATER SOFTENER**

D439,950 S * 4/2001 Fletcher D23/207
D456,876 S * 5/2002 Zellinger D23/207
D652,891 S * 1/2012 Choi D23/207

(71) Applicant: **Coway Co., Ltd.**, Choongcheongnam-do (KR)

* cited by examiner

(72) Inventor: **Ka Ram Shin**, Seoul (KR)

Primary Examiner — Robin V Webster

(73) Assignee: **Coway Co., Ltd.**, Choongcheongnam-do (KR)

(74) *Attorney, Agent, or Firm* — Blank Rome LLP

(**) Term: **15 Years**

(57) **CLAIM**

(21) Appl. No.: **29/533,684**

I claim an ornamental design for a water softener, as shown and described.

(22) Filed: **Jul. 21, 2015**

(51) **LOC (10) Cl.** **23-01**

DESCRIPTION

(52) **U.S. Cl.**
USPC **D23/207**

(58) **Field of Classification Search**
USPC D23/207, 209; 210/241, 435, 140, 190,
210/191; 202/81, 83, 185.3
CPC C02F 1/42
See application file for complete search history.

FIG. 1 is a perspective view of a water softener of the present design;
FIG. 2 is a front view of the water softener of FIG. 1;
FIG. 3 is a rear view of the water softener of FIG. 1;
FIG. 4 is a left side view of the water softener of FIG. 1;
FIG. 5 is a right side view of the water softener of FIG. 1;
FIG. 6 is a top view of the water softener of FIG. 1; and,
FIG. 7 is a bottom view of the water softener of FIG. 1.
The dashed lines shown in the figures are for illustration only and do not form part of the claimed design.

(56) **References Cited**

U.S. PATENT DOCUMENTS

D437,384 S * 2/2001 Fletcher D23/207

1 Claim, 6 Drawing Sheets

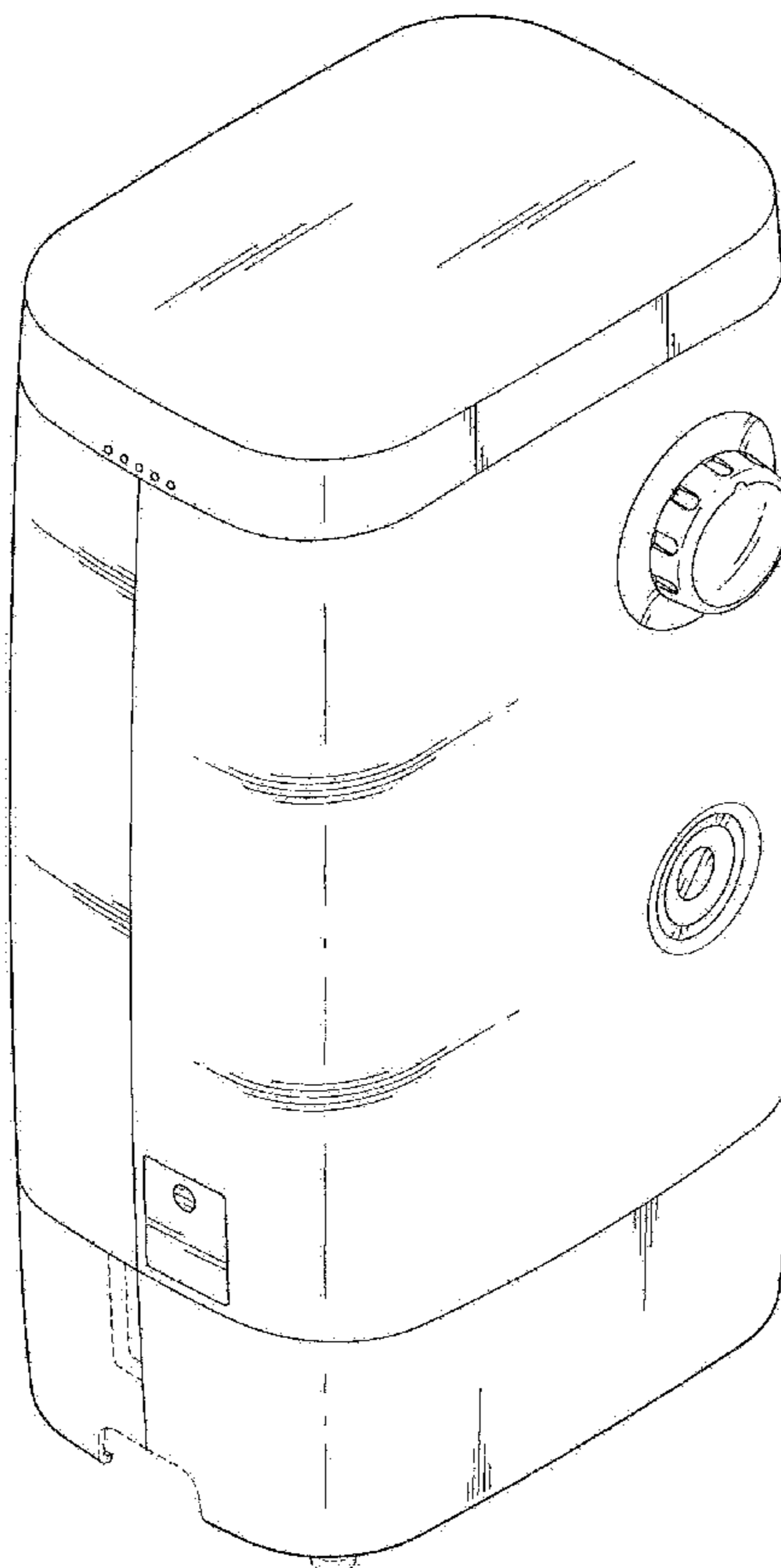


FIG. 1

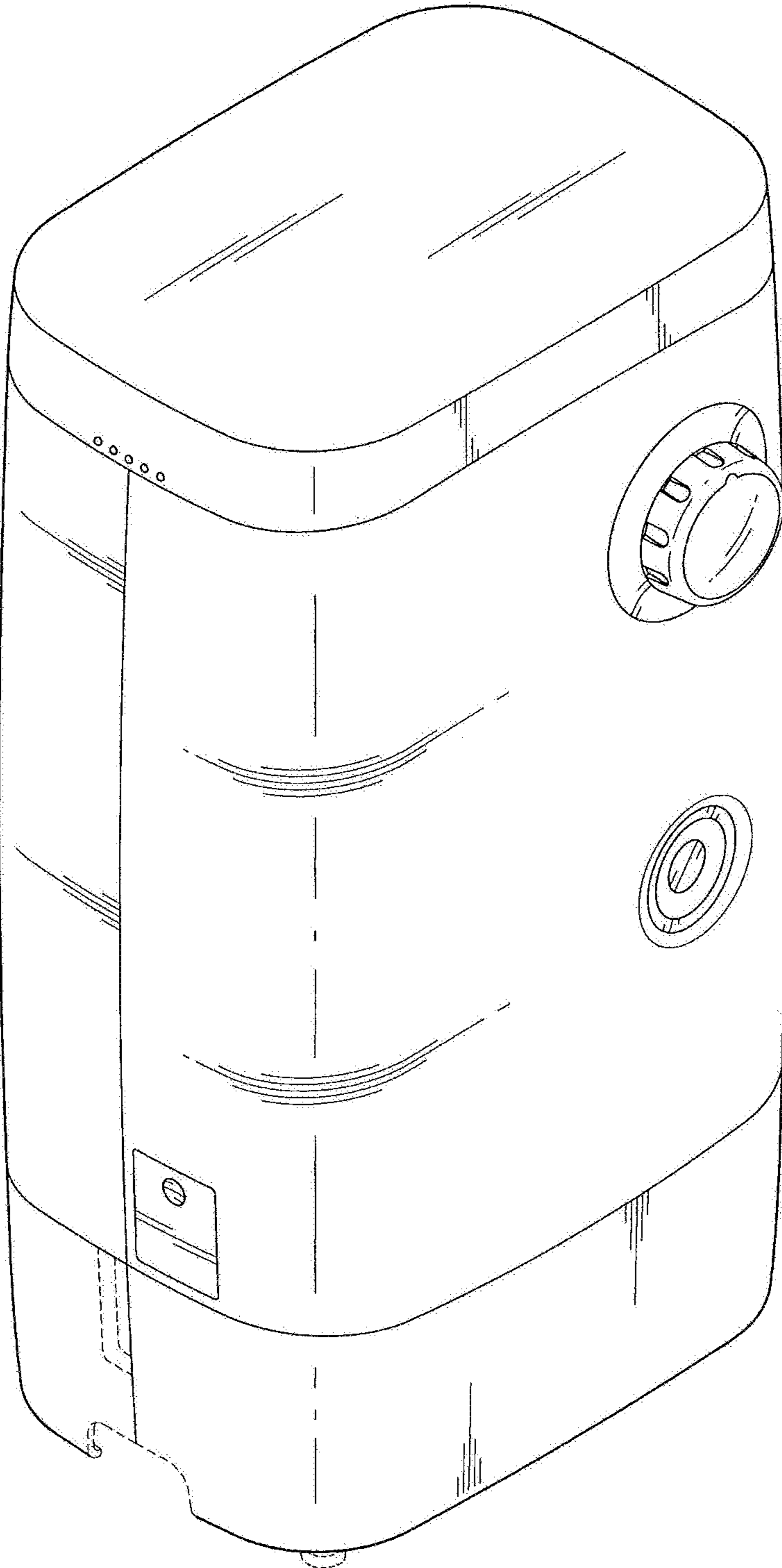


FIG. 2

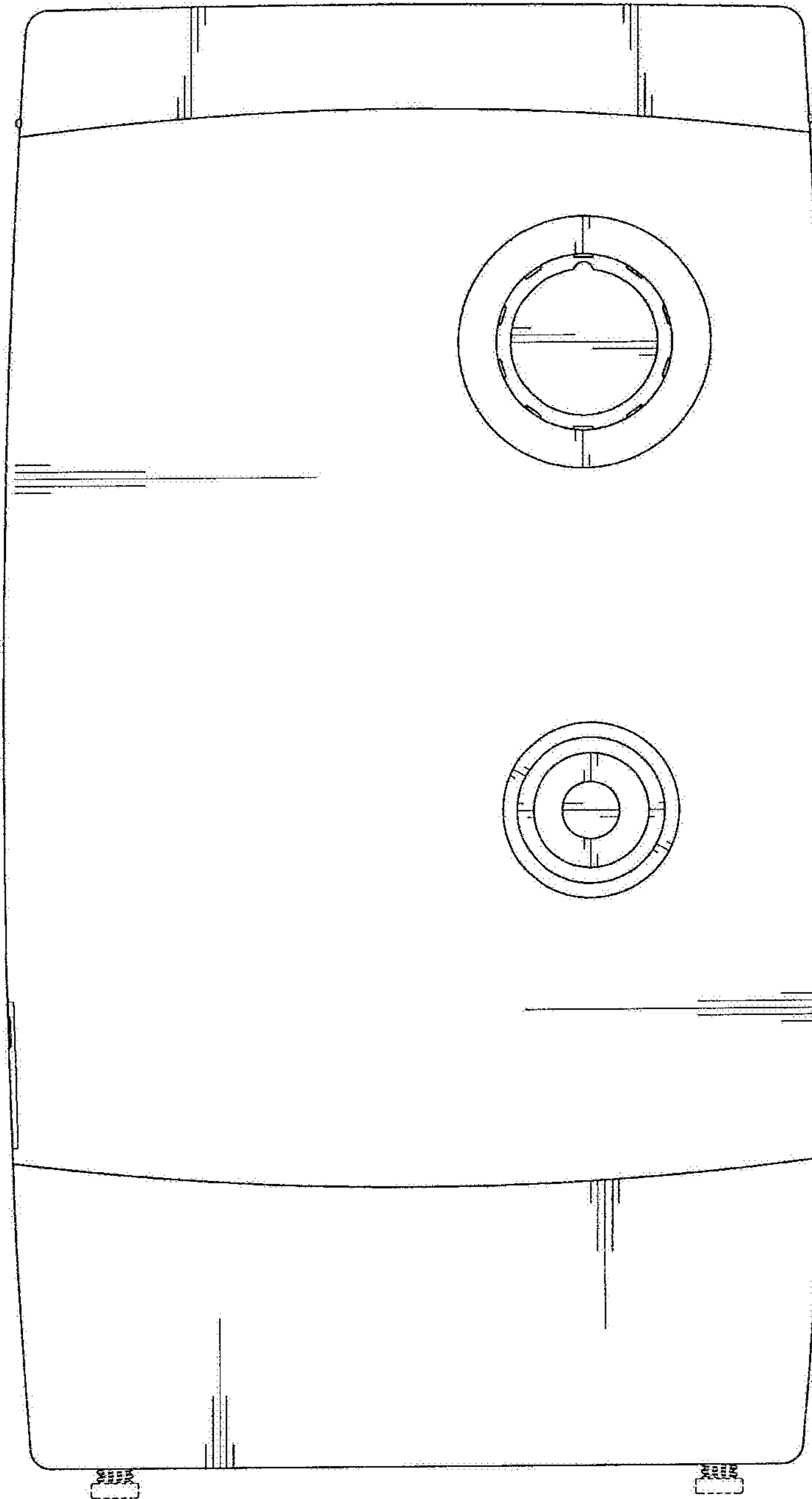


FIG. 3

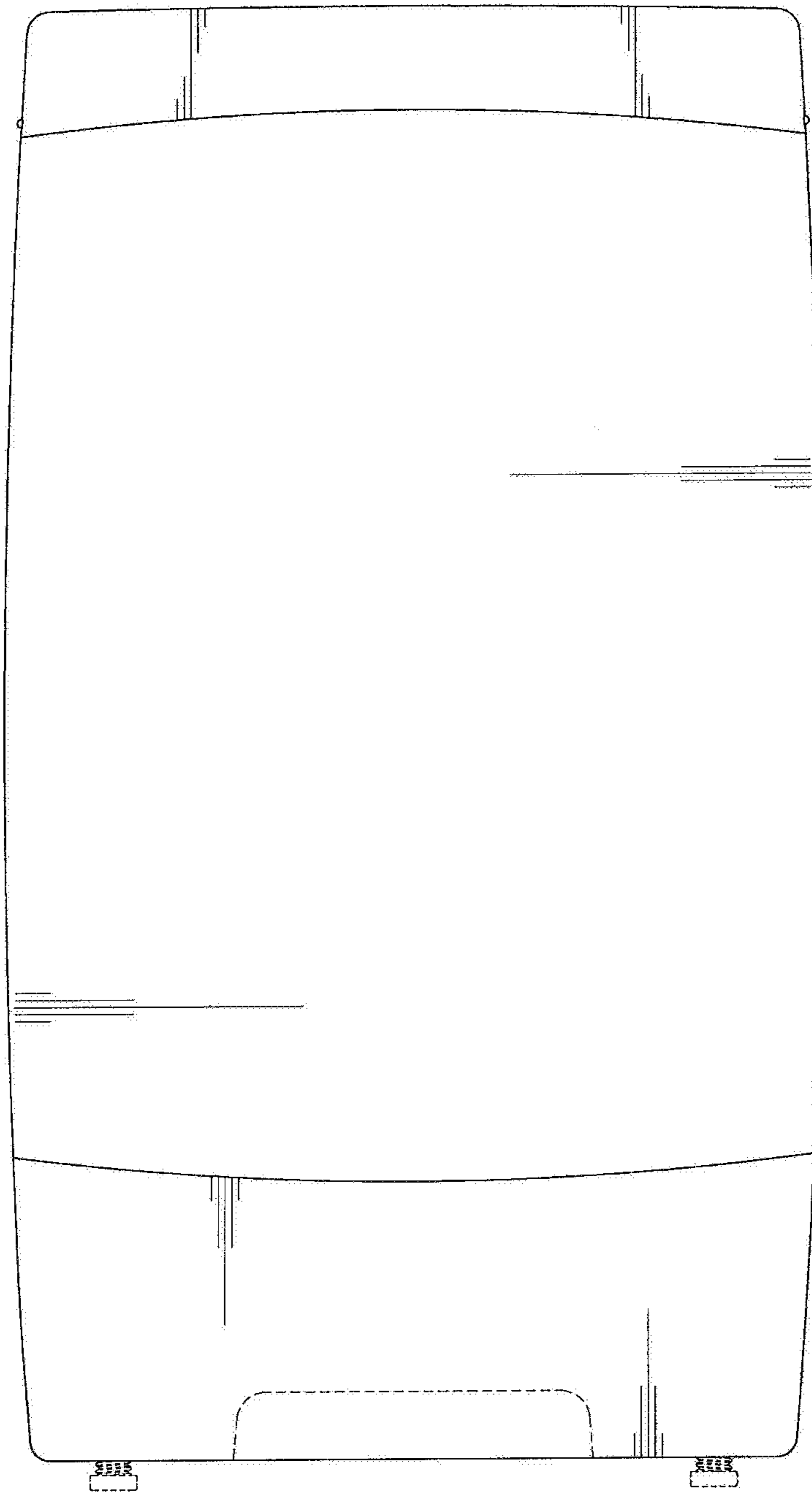


FIG. 4

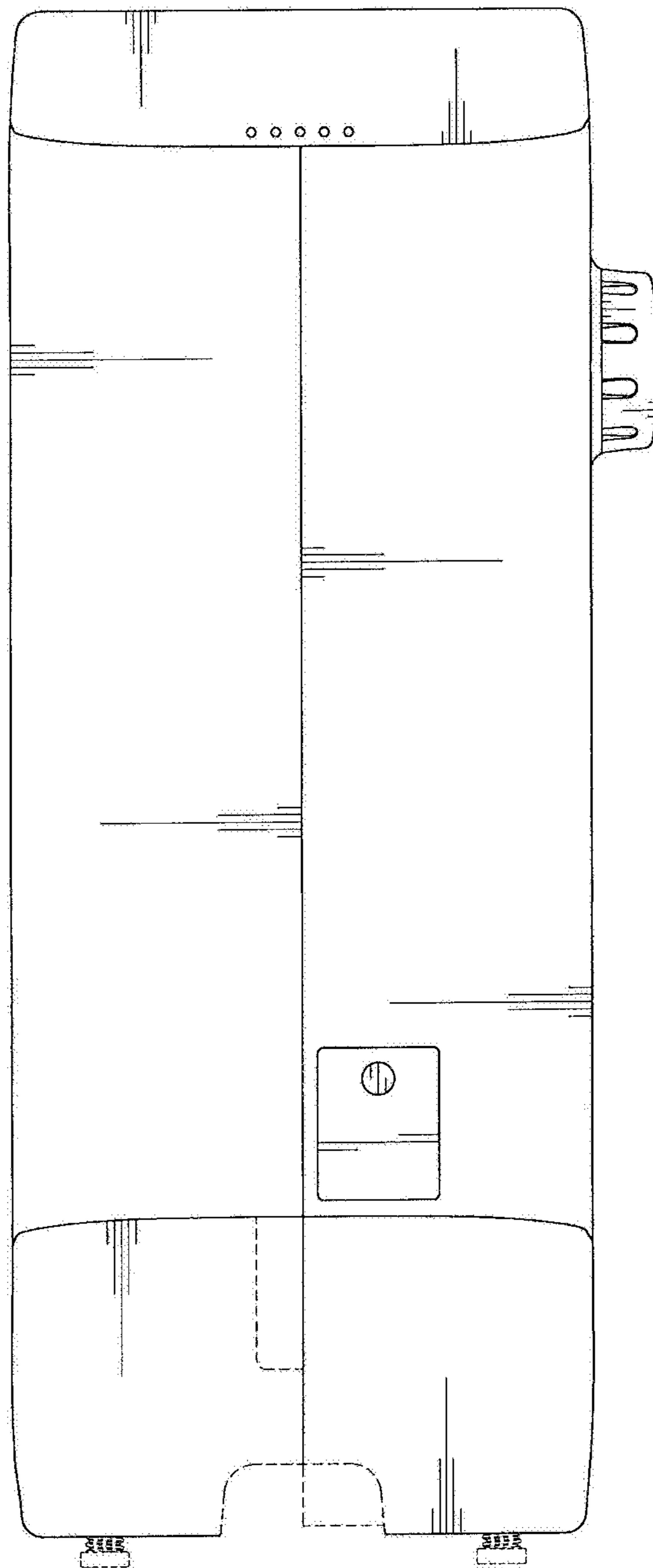


FIG. 5

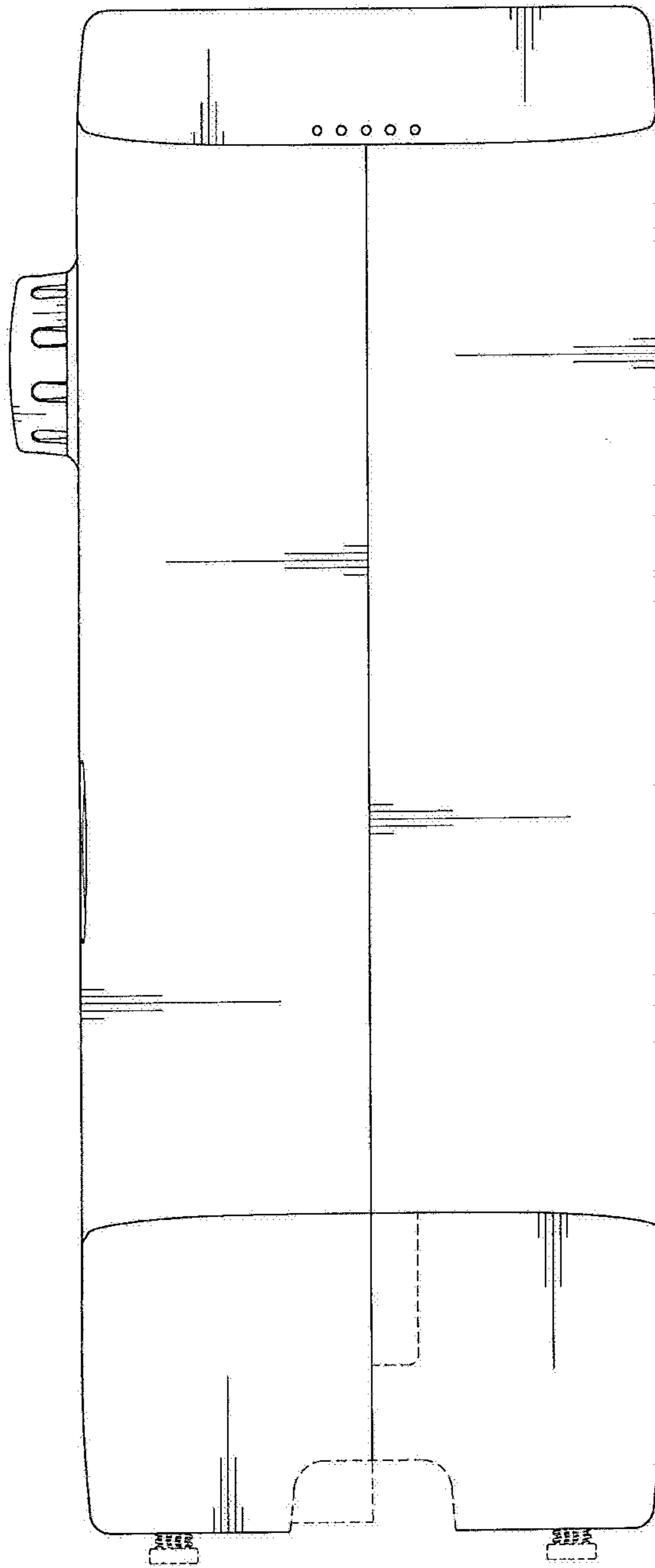


FIG. 6

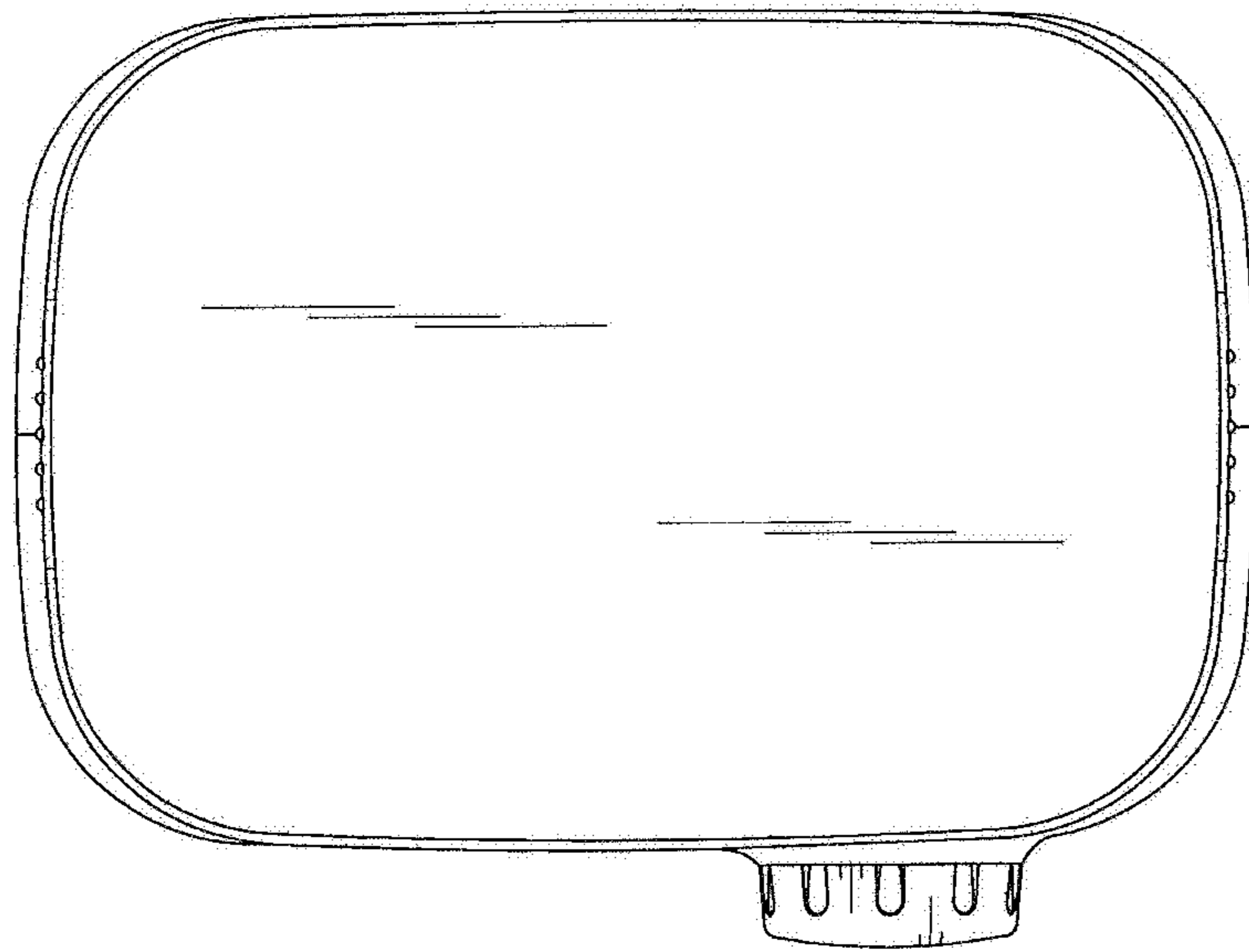


FIG. 7

