



US00D763405S

(12) **United States Design Patent**
Bussard et al.

(10) **Patent No.:** **US D763,405 S**
(45) **Date of Patent:** **** Aug. 9, 2016**

- (54) **PROPANE TANK COVER—SINGLE**
- (71) Applicants: **John Rudell Bussard**, Kernersville, NC (US); **Jeffrey Robert Russell**, Winston-Salem, NC (US)
- (72) Inventors: **John Rudell Bussard**, Kernersville, NC (US); **Jeffrey Robert Russell**, Winston-Salem, NC (US)
- (73) Assignee: **Camco Manufacturing, Inc.**, Greensboro, NC (US)

(**) Term: **14 Years**

(21) Appl. No.: **29/505,024**

(22) Filed: **Apr. 28, 2015**

(51) **LOC (10) Cl.** **23-01**

(52) **U.S. Cl.**
USPC **D23/206**

(58) **Field of Classification Search**
USPC D23/202, 203; 220/586-7, 565, 581, 220/23.4, 635; 248/309.1; 150/154
CPC F17C 2201/00; B21D 51/24; B65D 88/02; E03B 3/03
See application file for complete search history.

(56) **References Cited**

U.S. PATENT DOCUMENTS

- 3,266,491 A * 8/1966 Koslow A61F 6/04 150/154
- 6,012,411 A * 1/2000 Hochbrueckner F17C 13/002 116/200

- 6,254,309 B1 * 7/2001 Northcott B65D 88/78 220/23.91
- 6,418,962 B1 * 7/2002 Wozniak B60K 15/013 137/266
- 7,316,435 B2 * 1/2008 Leighton A45C 11/00 150/154
- D561,298 S 2/2008 Brockington
- D611,566 S 3/2010 Brockington
- 8,771,819 B2 * 7/2014 Eaton B44C 5/04 150/154

* cited by examiner

Primary Examiner — Robin V Webster

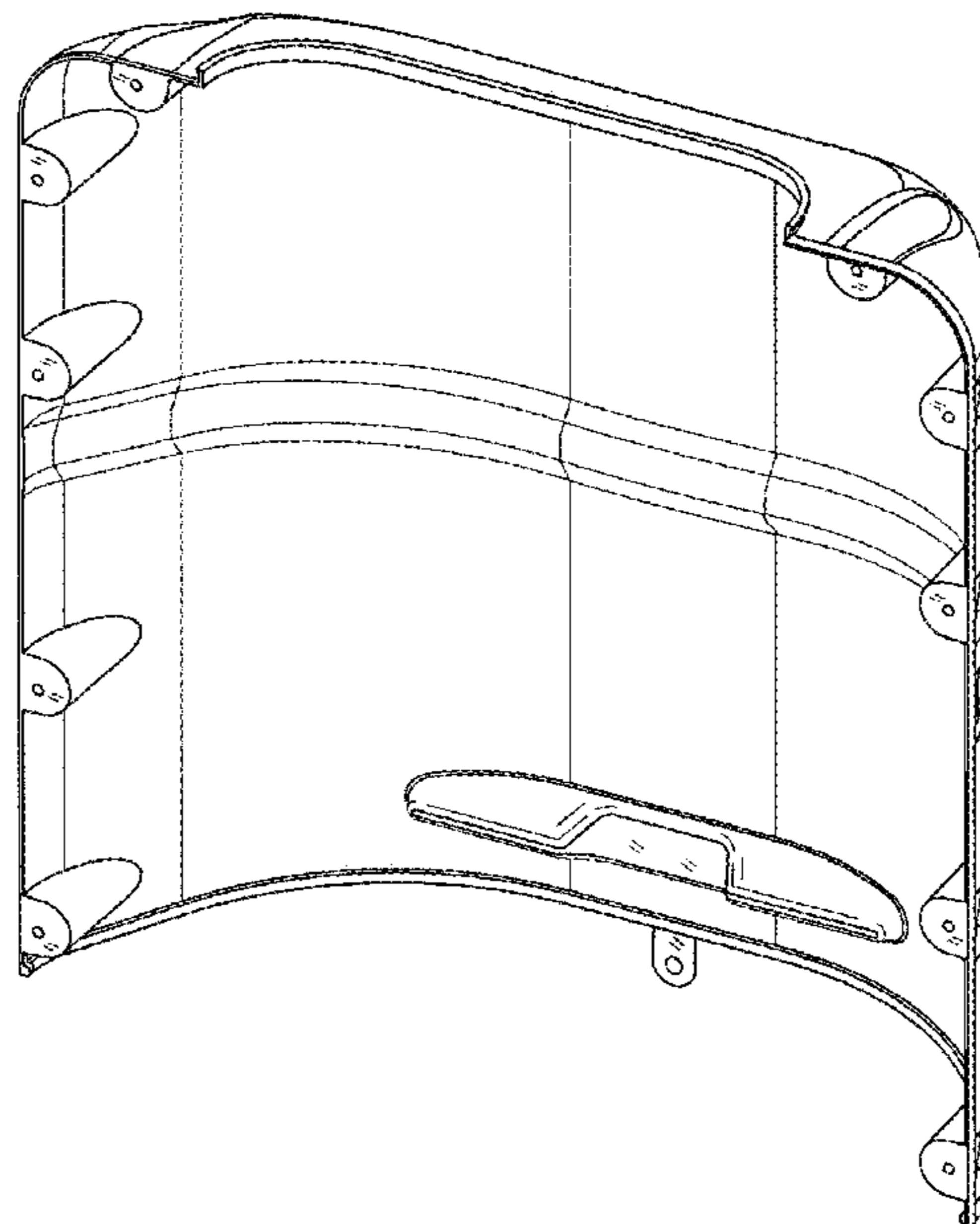
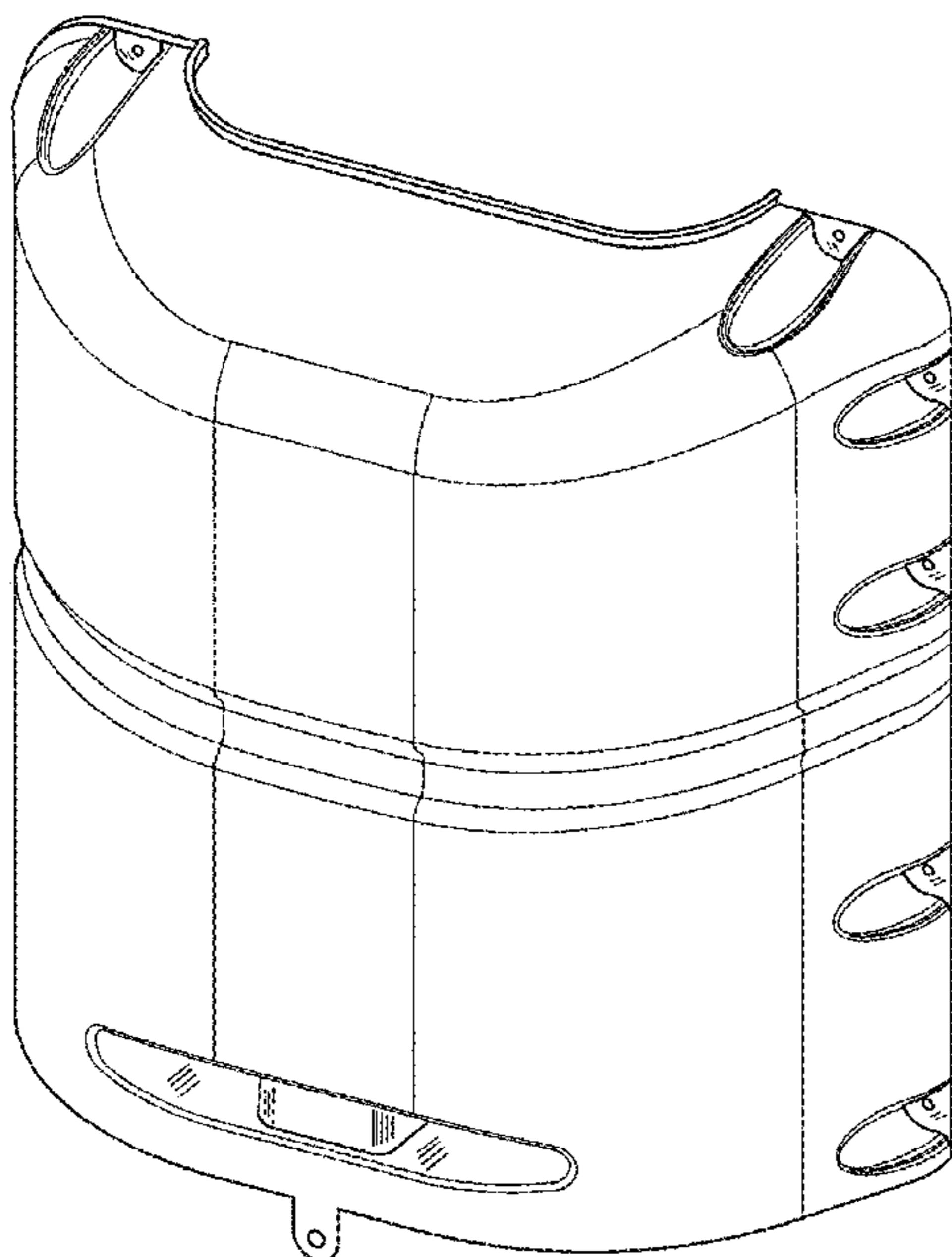
(57) **CLAIM**

The ornamental design for a propane tank cover-single, as shown and described.

DESCRIPTION

FIG. 1 is a top, right, front side perspective view of a propane tank cover-single according to the invention; FIG. 2 is a front elevational view according to the invention; and, FIG. 3 is a rear elevational view according to the invention; and, FIG. 4 is a right elevational view according to the invention; and, FIG. 5 is a left side elevational view according to the invention; and, FIG. 6 is a top plan view according to the invention; and, FIG. 7 is a bottom plan view according to the invention; and, FIG. 8 is a rear, top, left perspective view according to the invention.

1 Claim, 6 Drawing Sheets



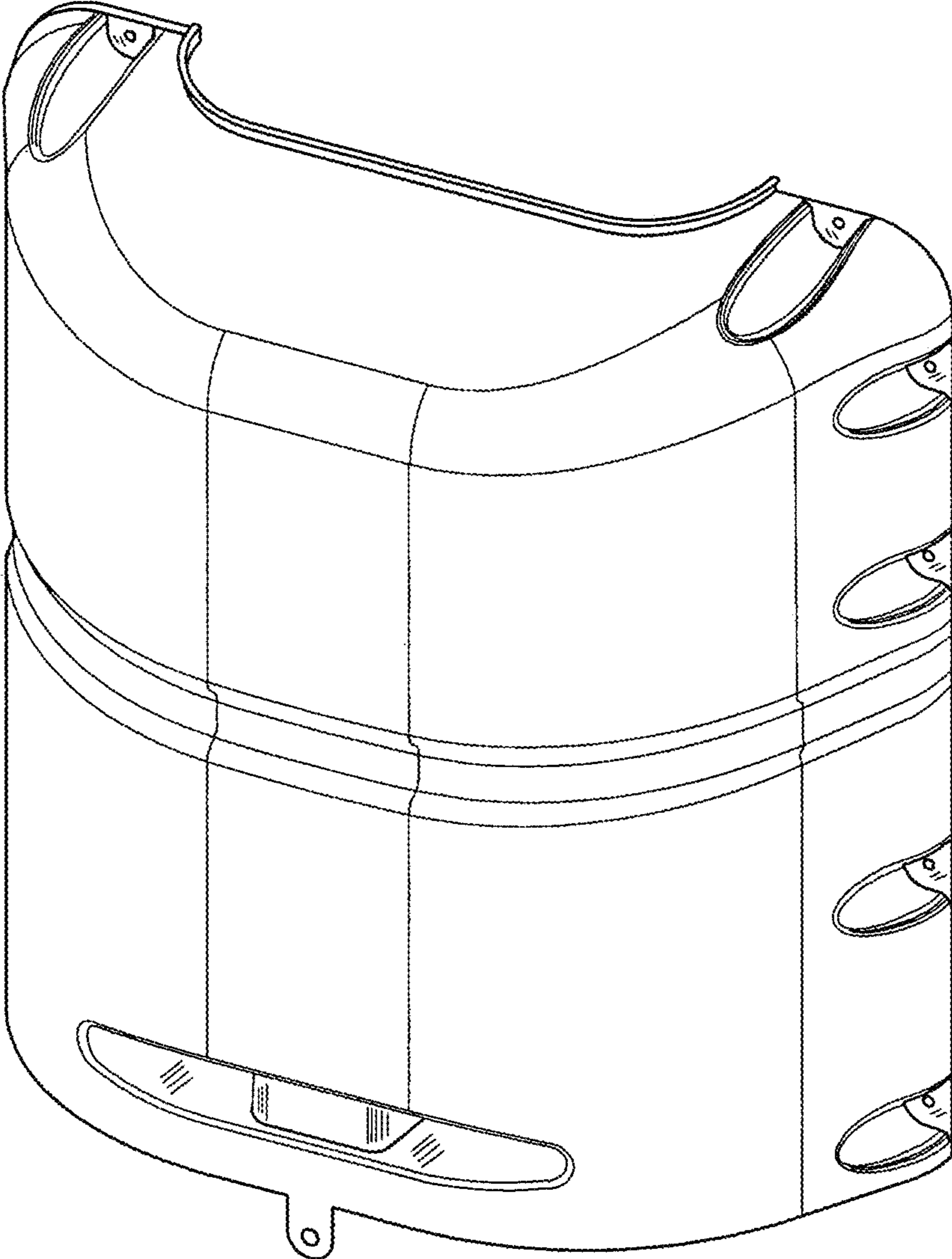


Fig. 1

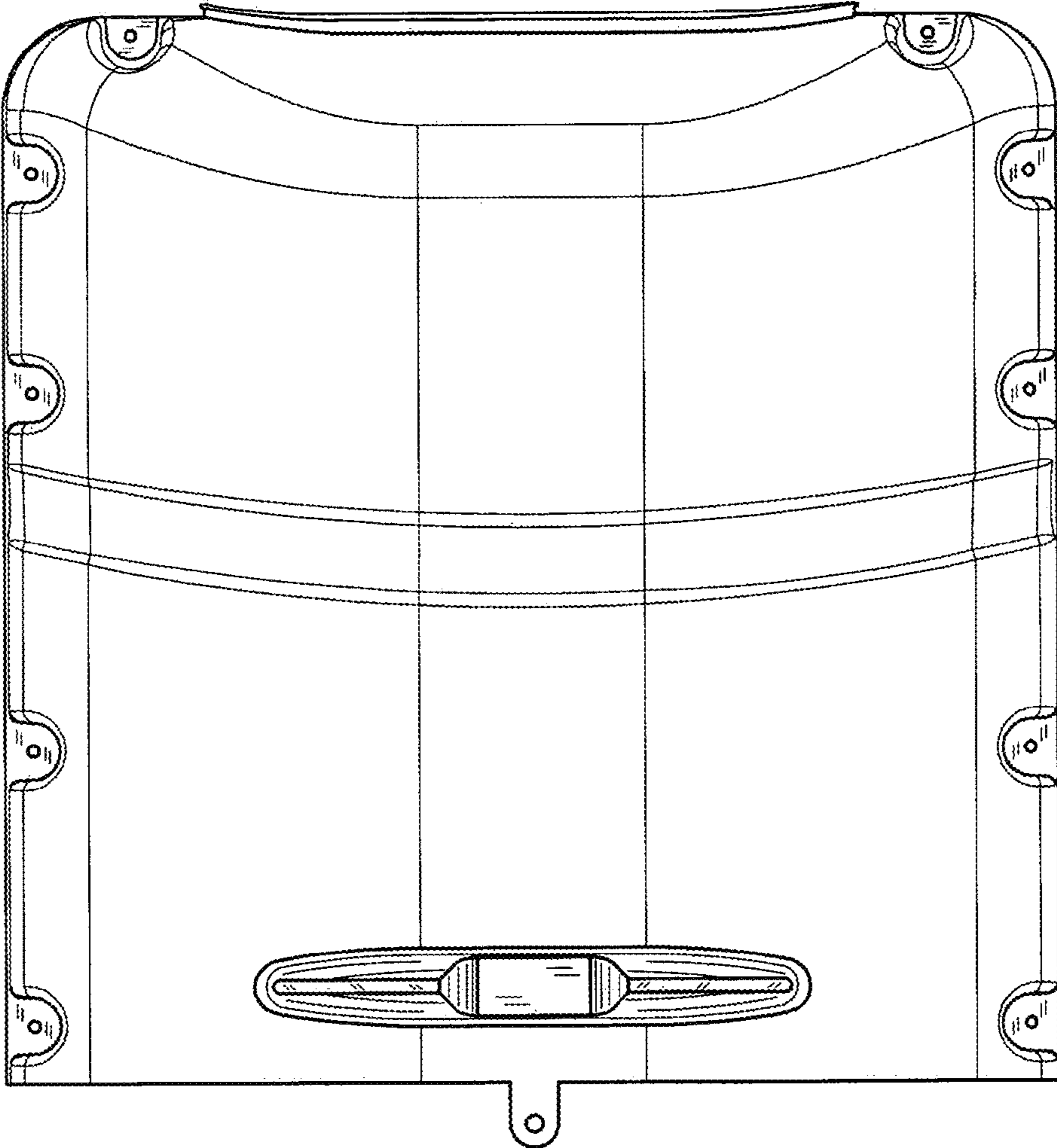


Fig. 2

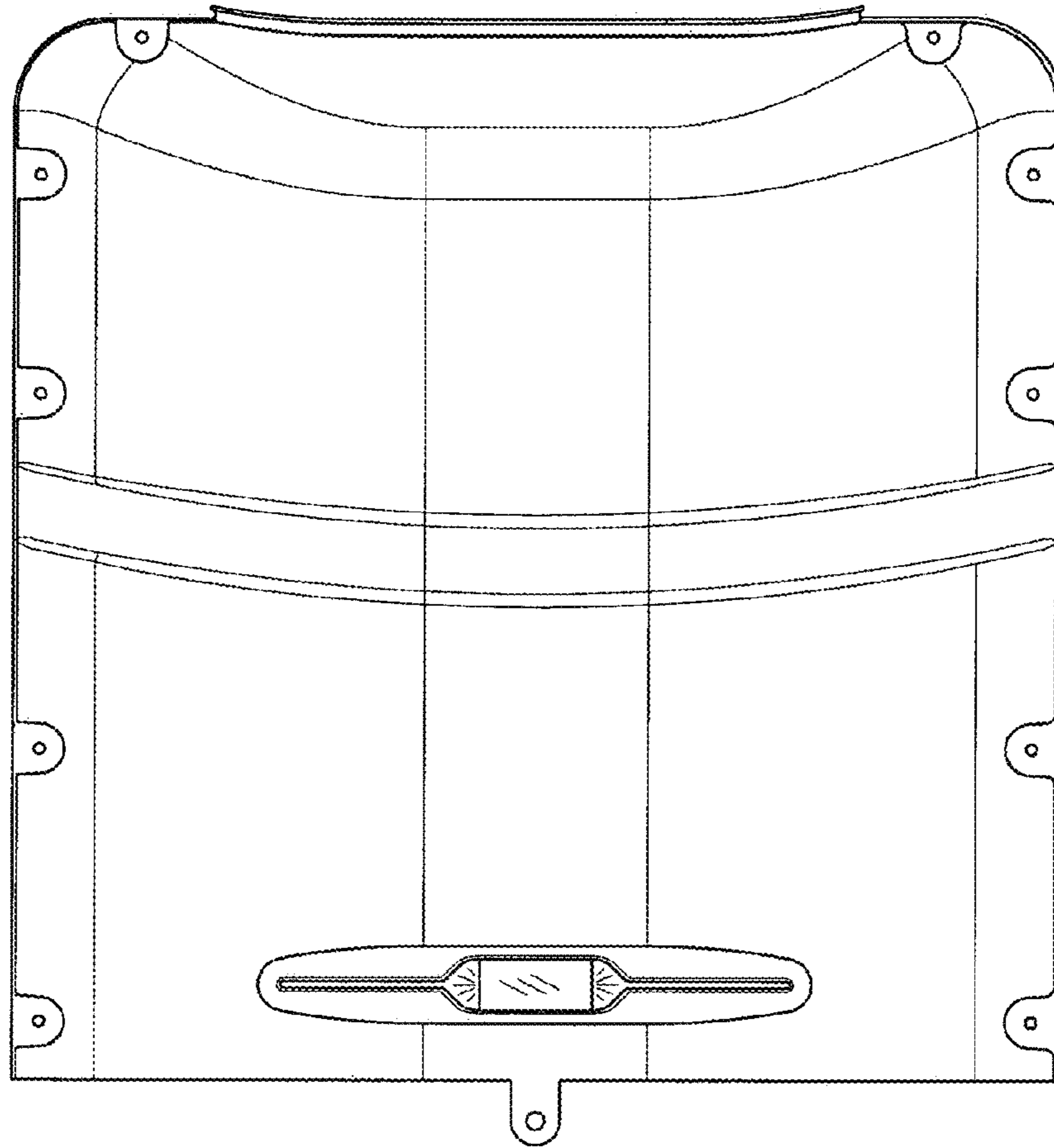


Fig. 3

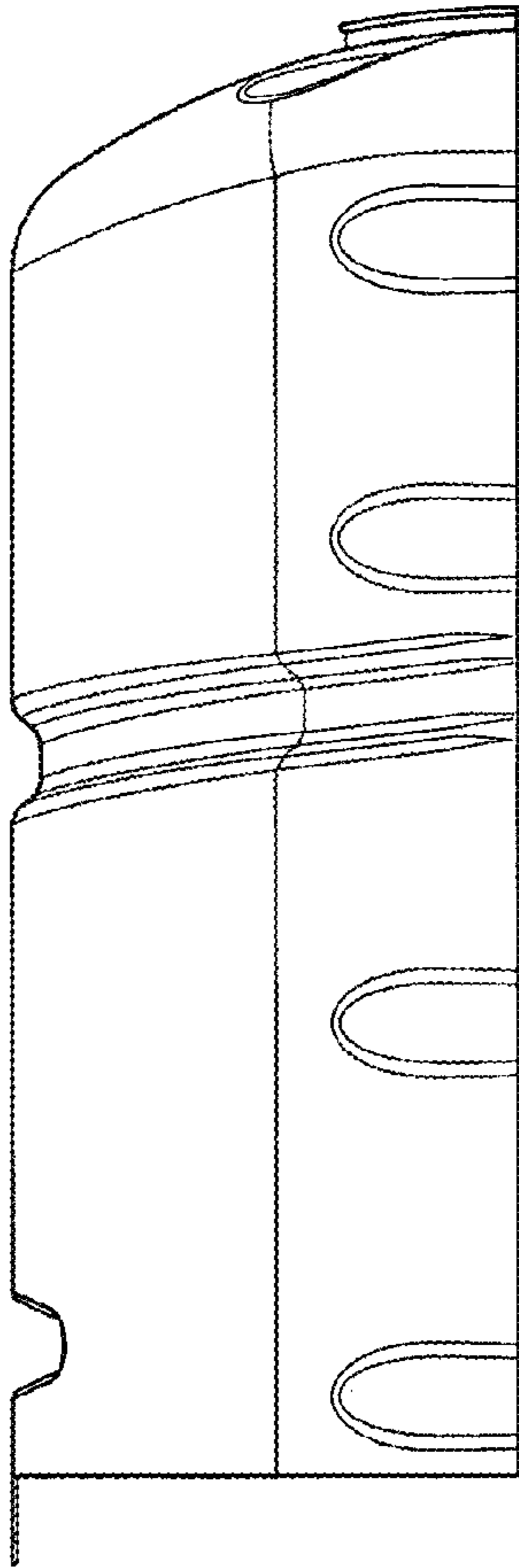


Fig. 4

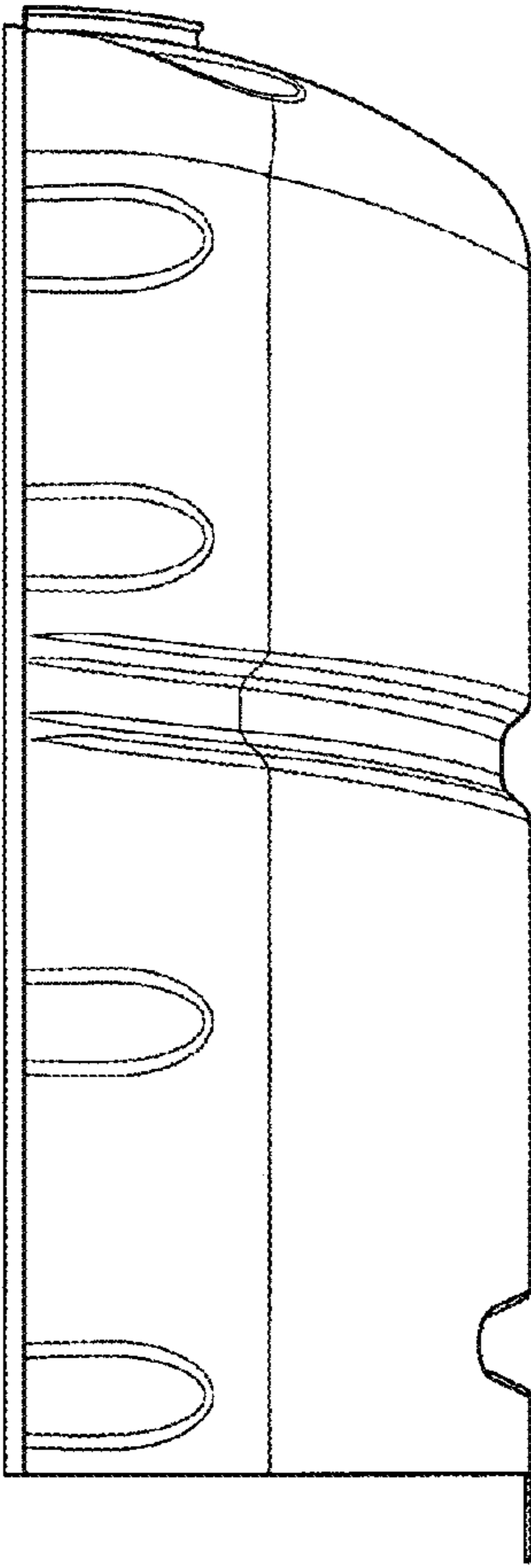


Fig. 5

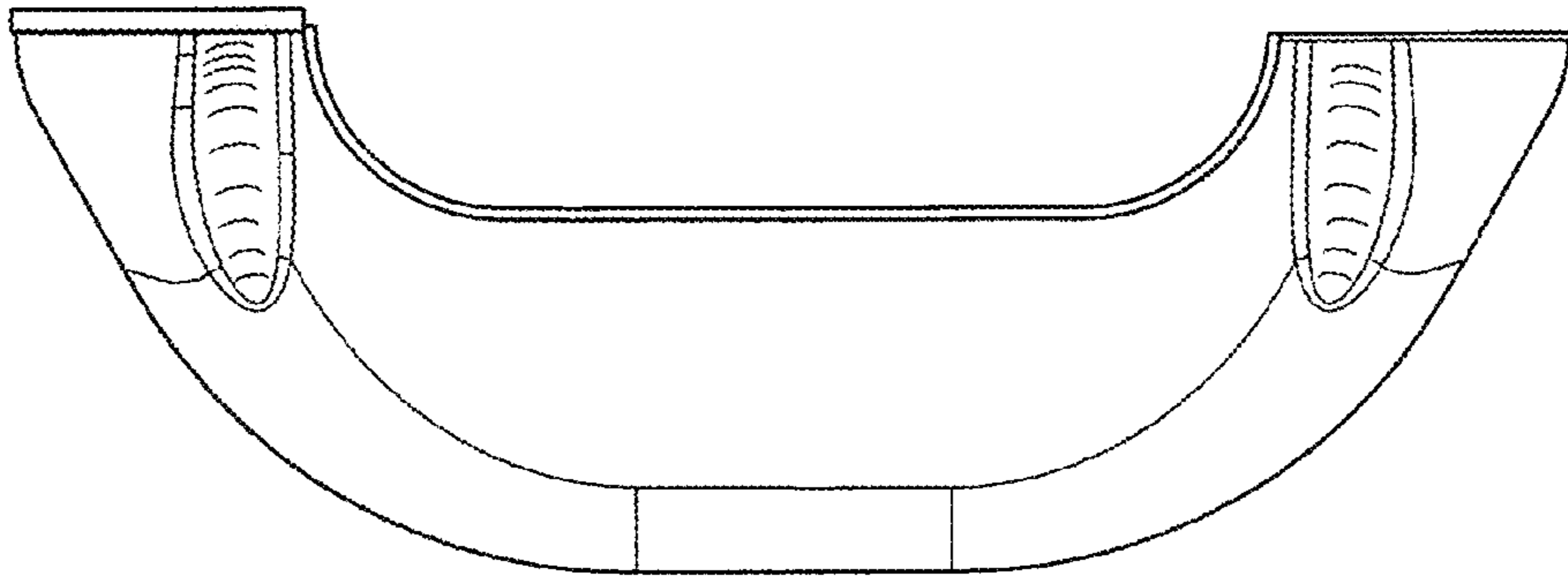


Fig. 6

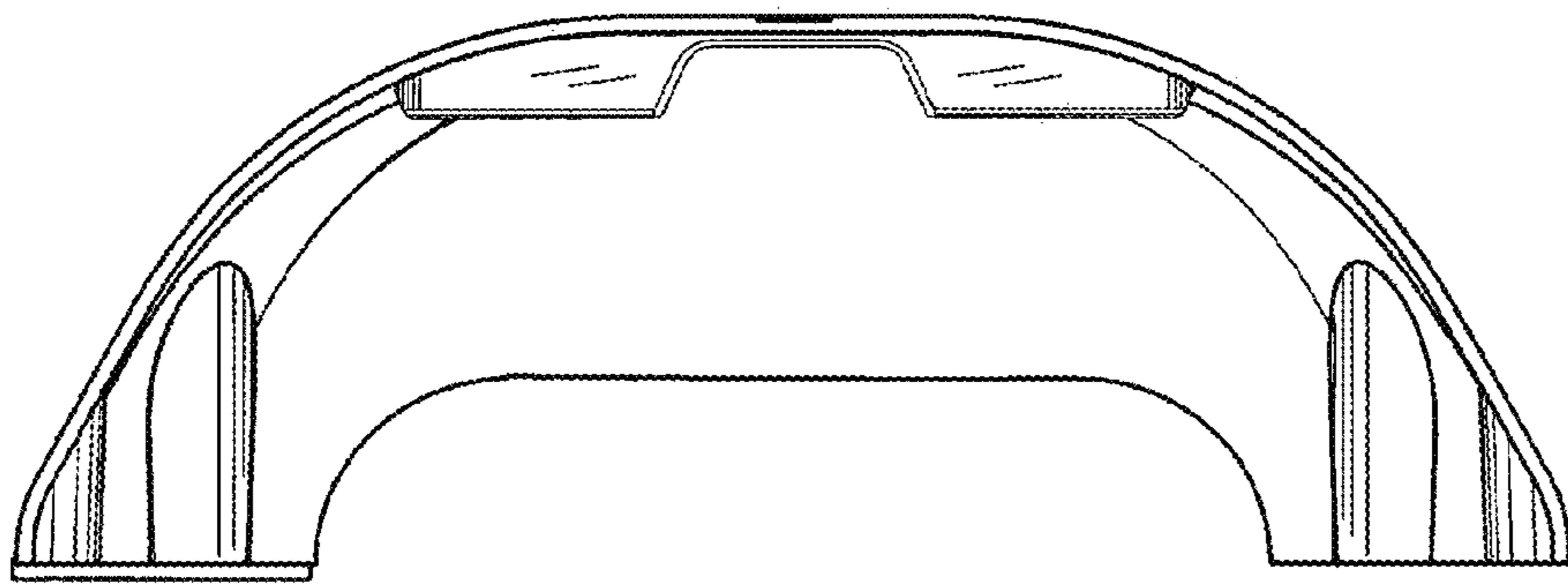


Fig. 7

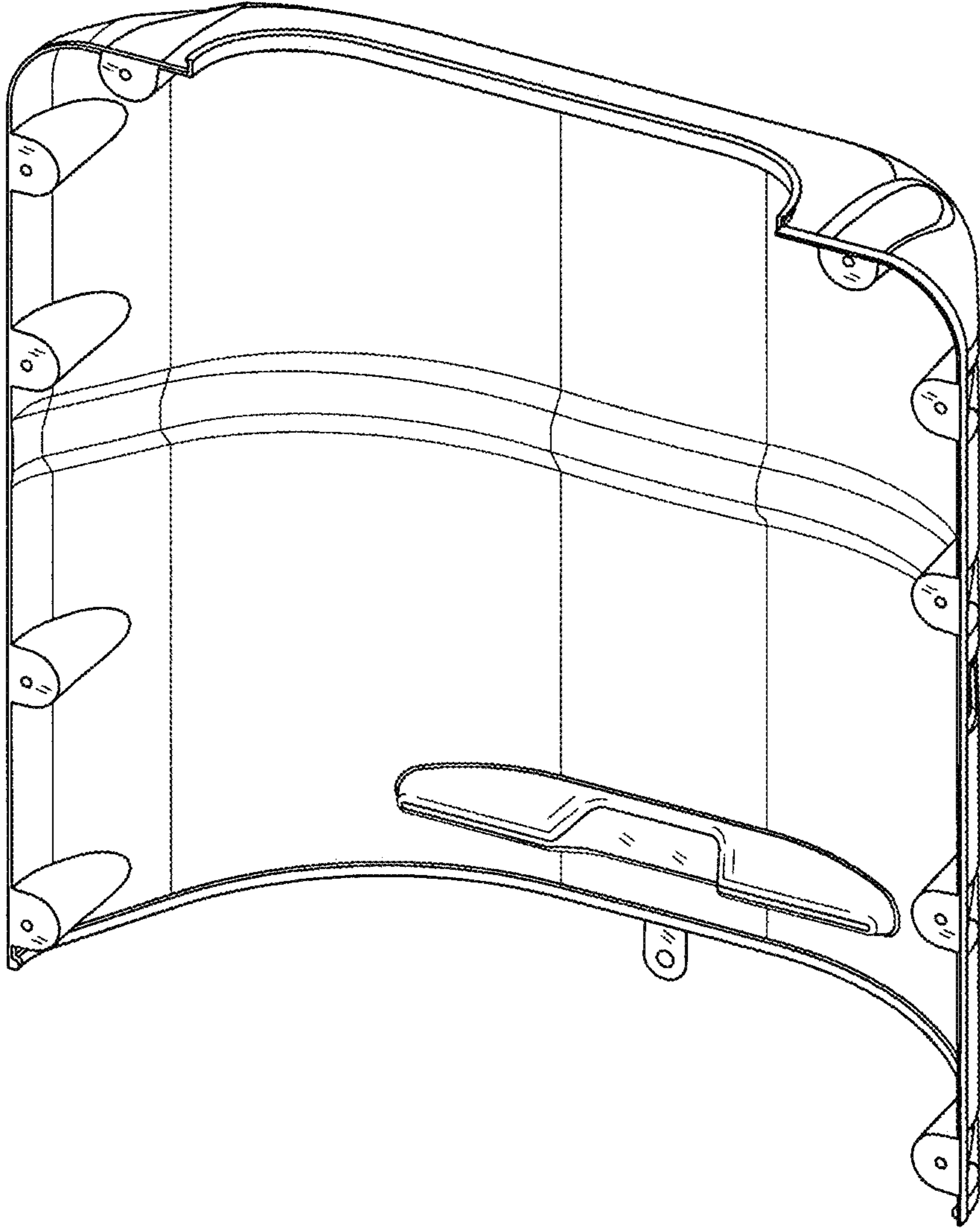


Fig. 8