



US00D763403S

(12) **United States Design Patent**  
**Fisher**

(10) **Patent No.:** **US D763,403 S**

(45) **Date of Patent:** **\*\* Aug. 9, 2016**

- (54) **JIG FISHING LURE**
- (71) Applicant: **Normark Innovations, Inc.**,  
Minnetonka, MN (US)
- (72) Inventor: **Mark Fisher**, Nowthen, MN (US)
- (73) Assignee: **Normark Innovations, Inc.**,  
Minnetonka, MN (US)
- (\*\*) Term: **14 Years**
- (21) Appl. No.: **29/517,874**
- (22) Filed: **Feb. 18, 2015**
- (51) **LOC (10) Cl.** ..... **22-05**
- (52) **U.S. Cl.**  
USPC ..... **D22/144**
- (58) **Field of Classification Search**  
USPC ..... D22/144, 126-133; 43/42.4, 42.52,  
43/44.8, 42.06, 42.08, 42.09, 42.43, 43.2,  
43/42.16, 42.5, 42.51  
CPC ..... A01K 85/00; A01K 85/02; A01K 85/14  
See application file for complete search history.

2,319,686 A	5/1943	Janisch	
2,700,240 A	1/1955	Gibbs	
3,002,311 A	10/1961	Kyper	
3,169,337 A *	2/1965	McGregor	..... A01K 85/02 43/42.09
4,432,157 A	2/1984	Gowing	
4,665,642 A	5/1987	Steinman	
4,765,086 A	8/1988	Schultz	
5,077,931 A	1/1992	Marshall	
5,279,065 A *	1/1994	Drury, Jr.	..... A01K 85/14 43/42.52
D653,725 S *	2/2012	Zolotuhin	..... D22/144
2005/0246940 A1	11/2005	Jones et al.	

\* cited by examiner

*Primary Examiner* — Catheri Oliver-Garcia

(74) *Attorney, Agent, or Firm* — Dority & Manning, P.A.

(57) **CLAIM**

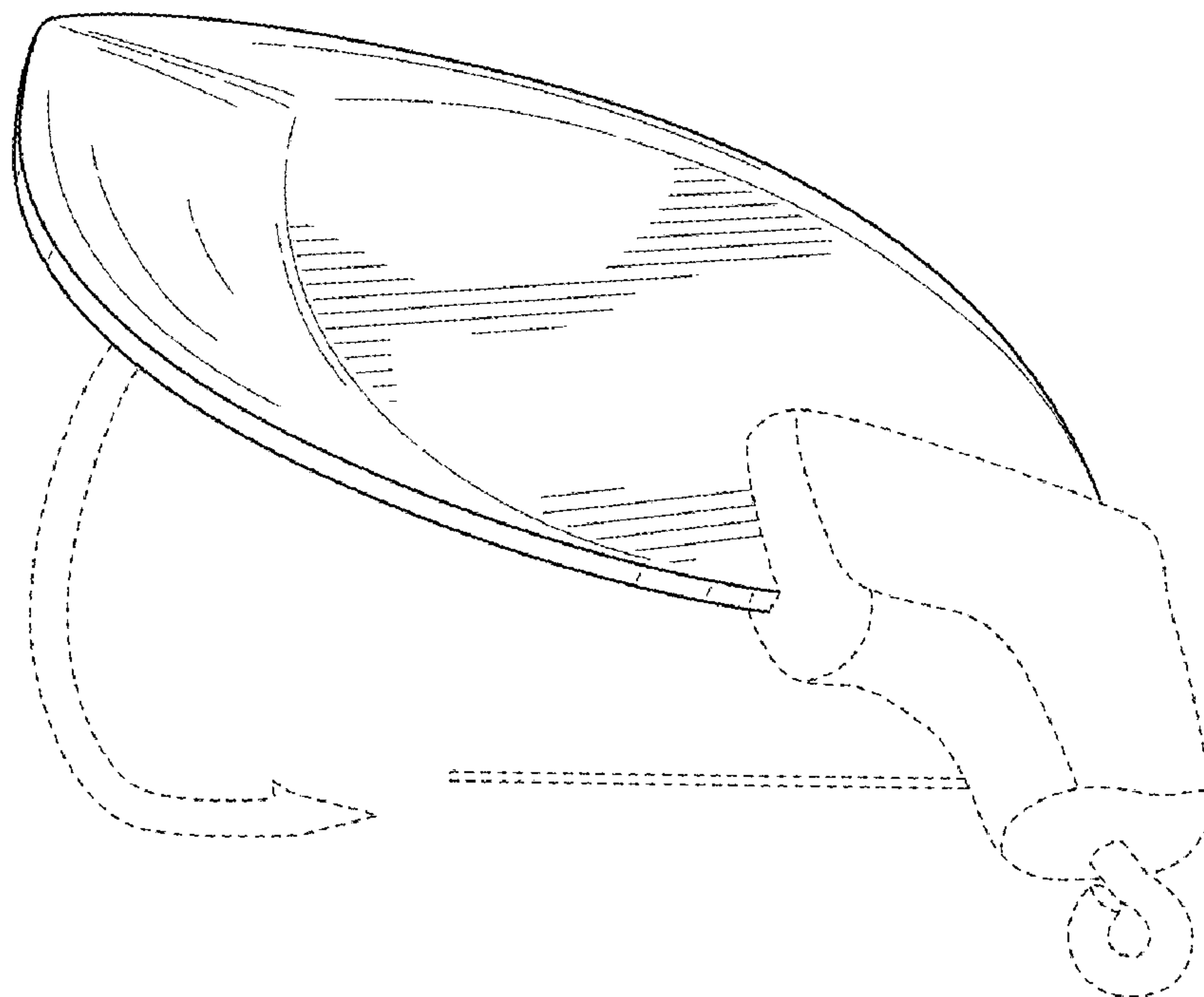
The ornamental design for a jig fishing lure, as shown and described.

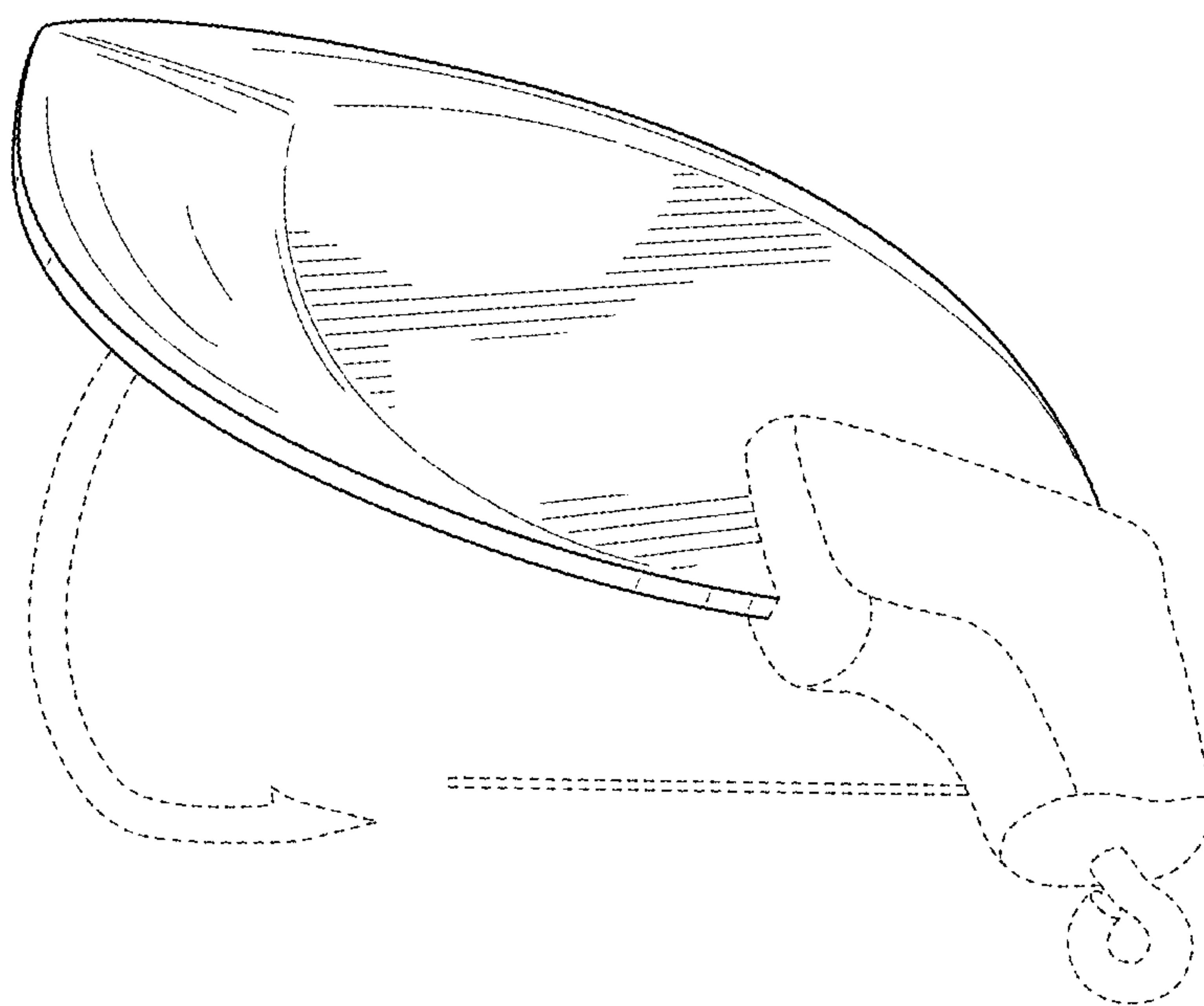
**DESCRIPTION**

FIG. 1 is a perspective view of the jig fishing lure according to the present invention;  
 FIG. 2 is a top view of the jig fishing lure of FIG. 1;  
 FIG. 3 is a bottom view of jig fishing lure of FIG. 1;  
 FIG. 4 is a side view of the jig fishing lure of FIG. 1;  
 FIG. 5 is another side view of the jig fishing lure of FIG. 1;  
 FIG. 6 is a front view of the jig fishing lure of FIG. 1; and,  
 FIG. 7 is a rear view of the jig fishing lure of FIG. 1.  
 The broken lines shown in FIGS. 1-7 represent portions of the jig fishing lure that form no part of the claimed design.

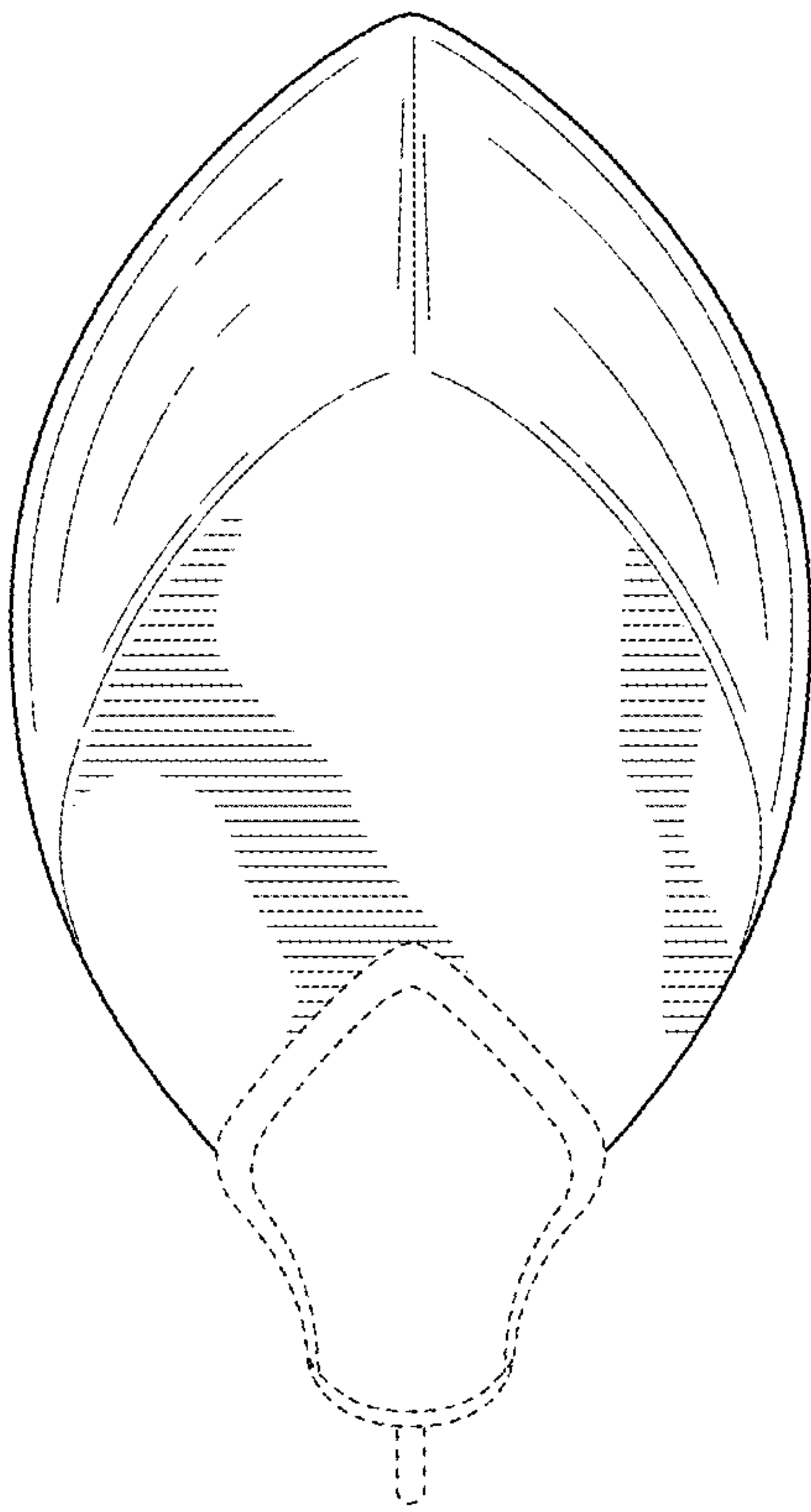
**1 Claim, 4 Drawing Sheets**

- (56) **References Cited**  
U.S. PATENT DOCUMENTS
- |             |         |         |
|-------------|---------|---------|
| 1,466,231 A | 8/1923  | Johnson |
| 1,888,641 A | 11/1932 | Toepper |
| 1,890,400 A | 12/1932 | Miller  |
| 2,145,283 A | 1/1939  | Accetta |
| 2,167,163 A | 7/1939  | Toepper |

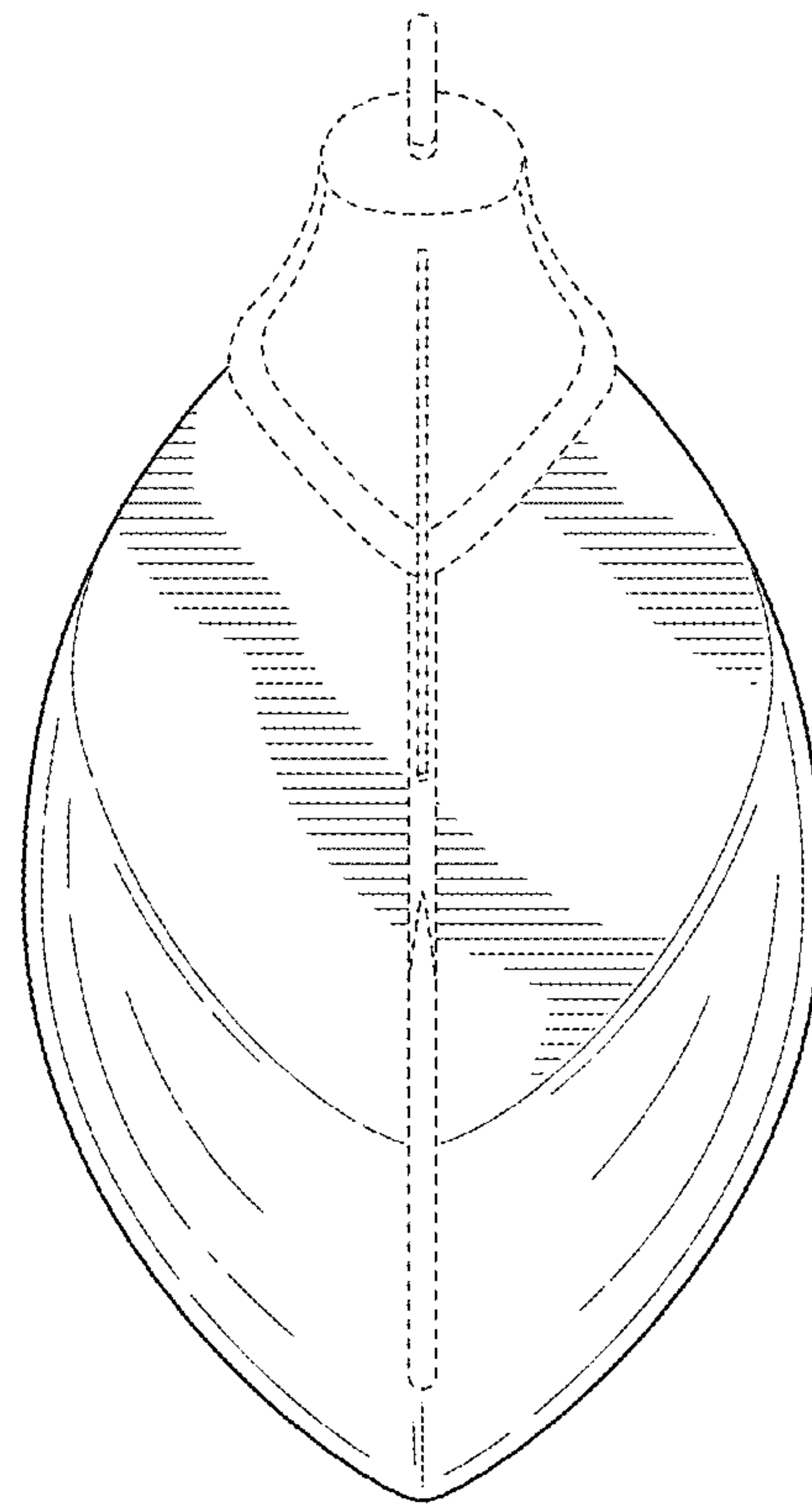




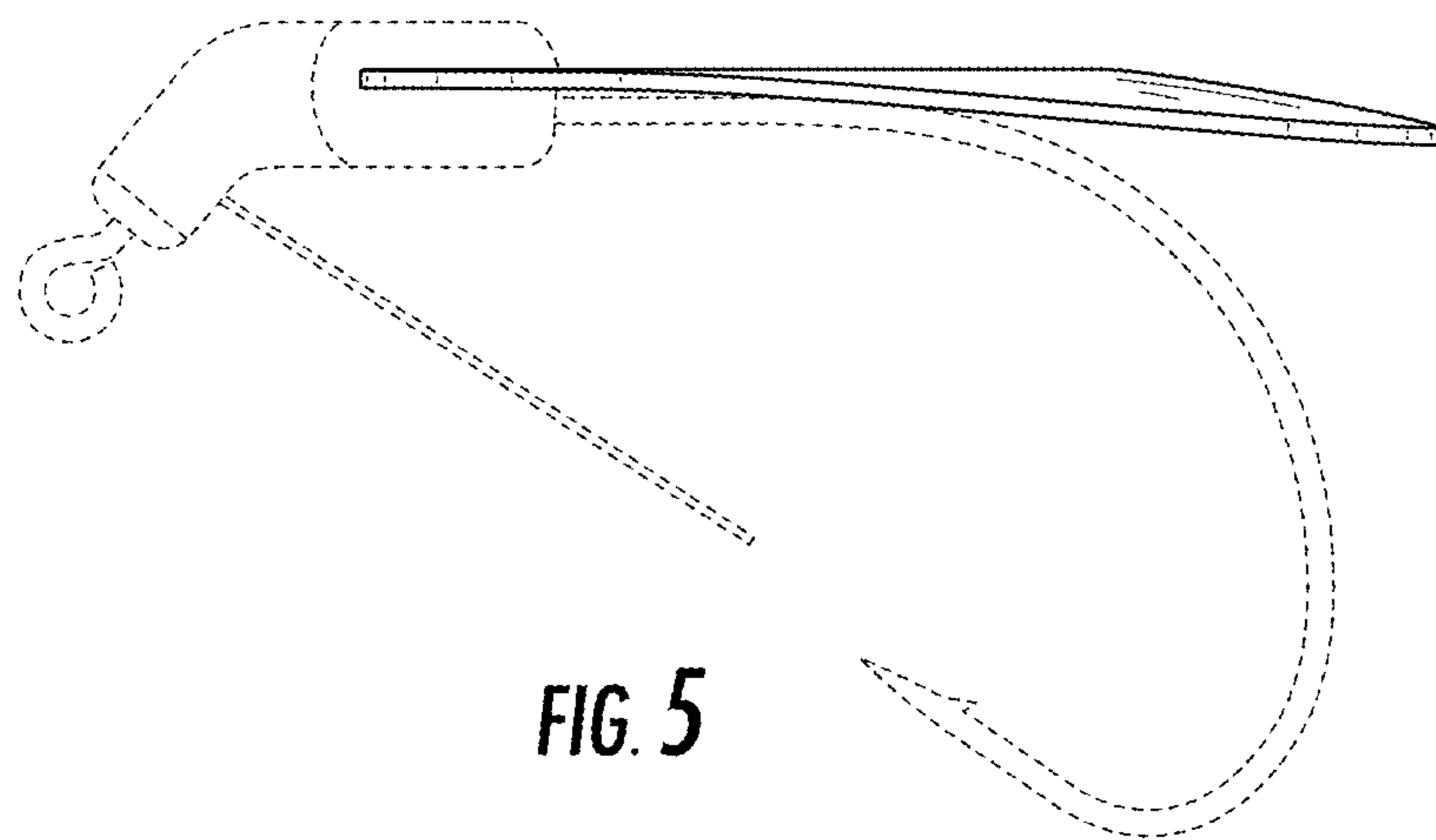
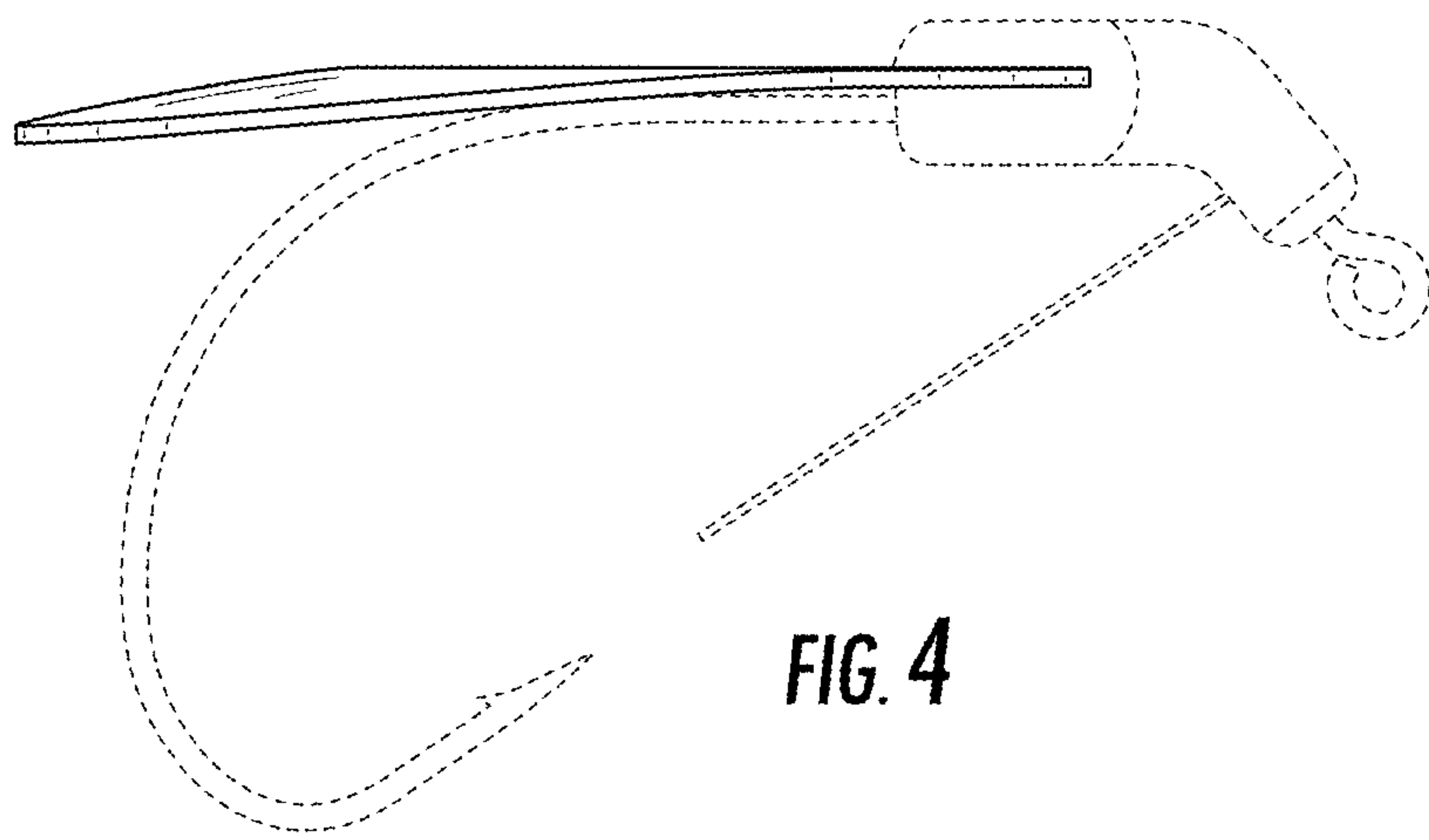
**FIG. 1**

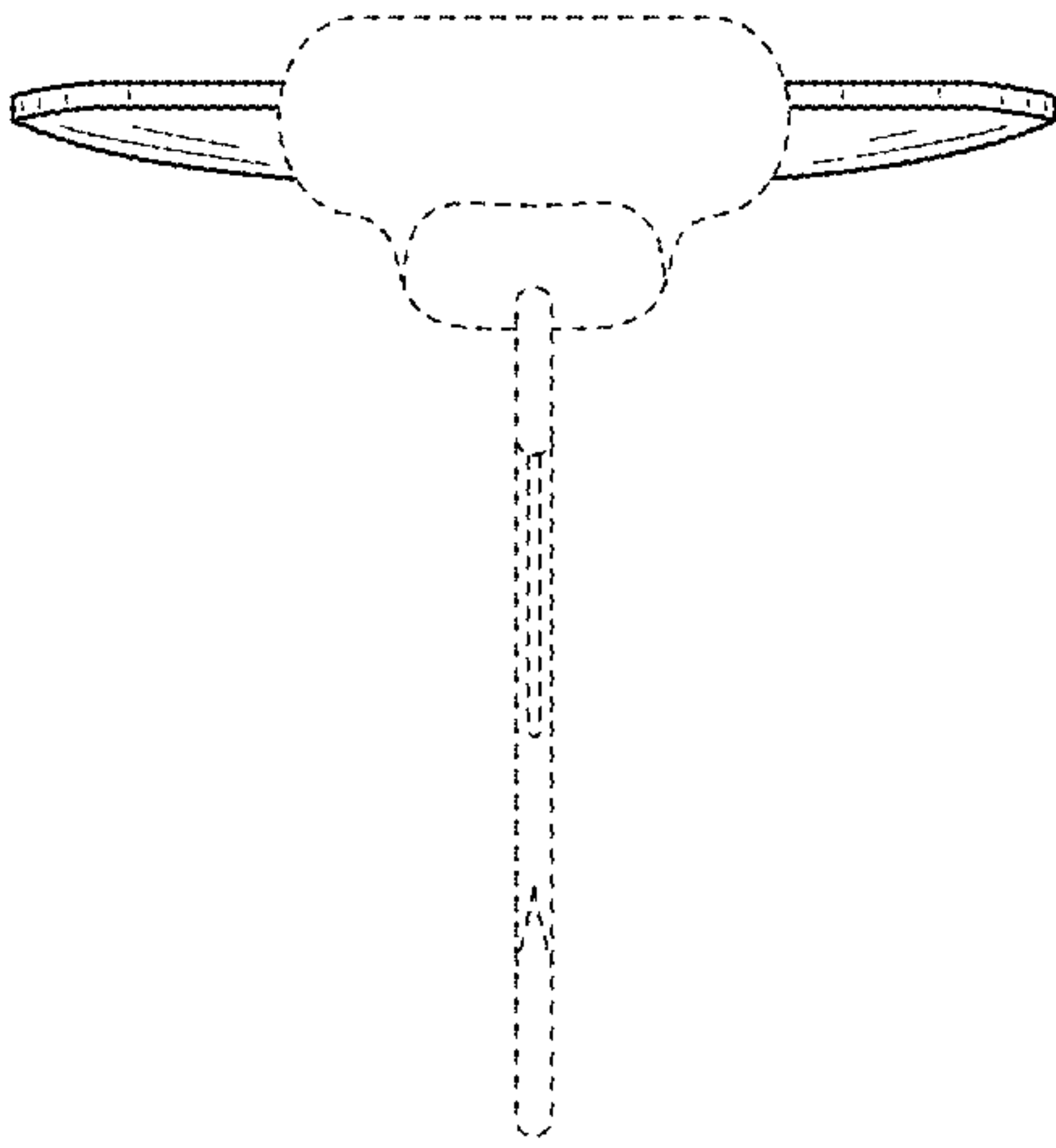


**FIG. 2**

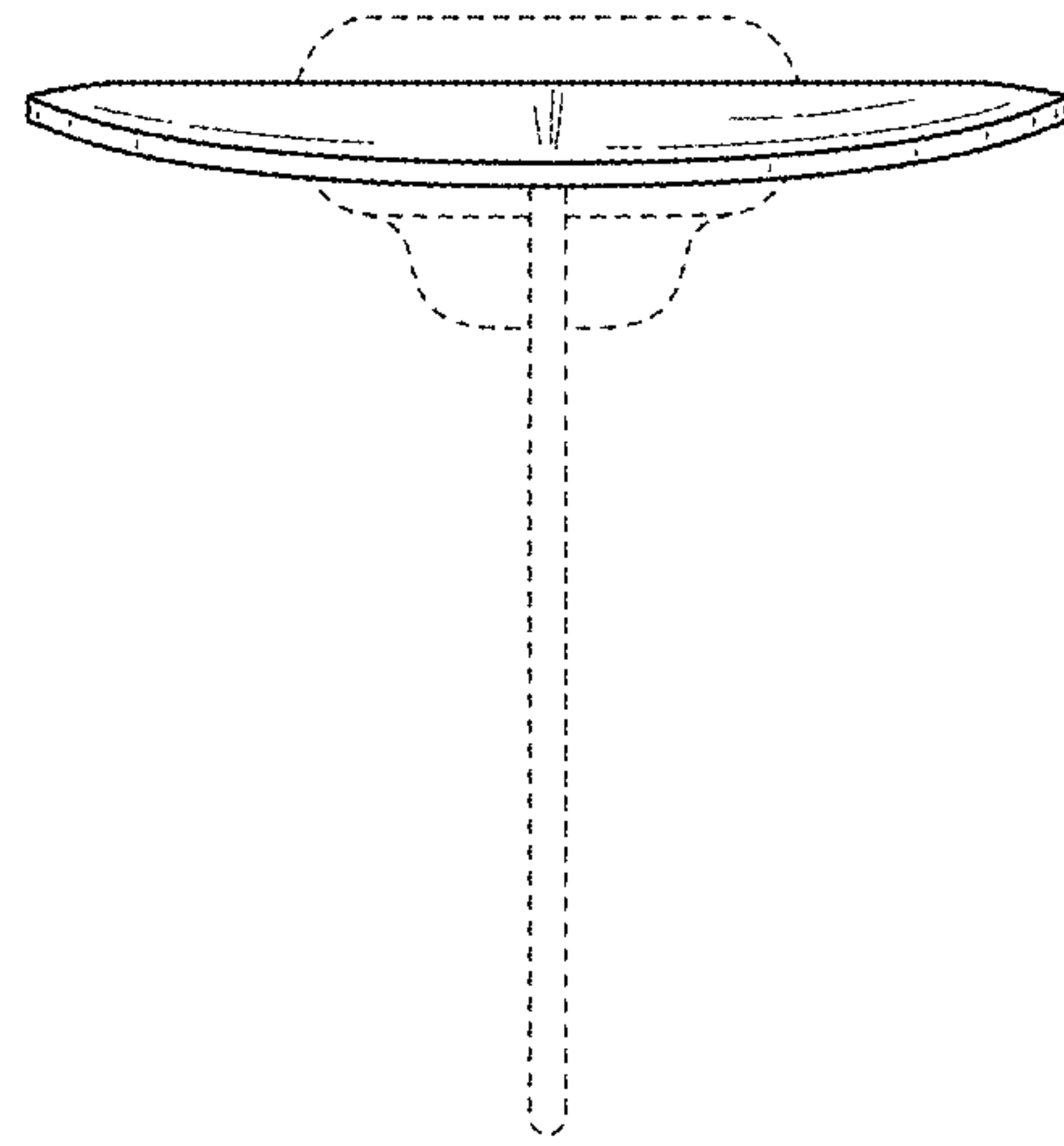


**FIG. 3**





**FIG. 6**



**FIG. 7**