



US00D763401S

(12) **United States Design Patent**
Pixton

(10) **Patent No.:** **US D763,401 S**
(45) **Date of Patent:** **** Aug. 9, 2016**

- (54) **TARGET STAND**
- (71) Applicant: **Greyman LLC**, Draper, UT (US)
- (72) Inventor: **Todd W. Pixton**, Draper, UT (US)
- (73) Assignee: **Greyman LLC**, Draper, UT (US)
- (**) Term: **14 Years**
- (21) Appl. No.: **29/513,625**
- (22) Filed: **Jan. 2, 2015**

6,827,028	B1	12/2004	Callaway
7,422,217	B2	9/2008	Hinnant
7,427,069	B2	9/2008	Bateman et al.
8,505,921	B2	8/2013	Amodt

(Continued)

FOREIGN PATENT DOCUMENTS

CN	201253040	6/2009
DE	202005017459	12/2005
WO	WO 2004042237	5/2004

OTHER PUBLICATIONS

Kimble et al, "Target Stands for Shooting Practice", <http://thekimblefamily.com/index.php/projects/small-projects/target-stands>, Jul. 2010, p. 2, Firestone Colorado.

(Continued)

Primary Examiner — Michael A Pratt

(74) *Attorney, Agent, or Firm* — Thorpe North & Western, LLP

Related U.S. Application Data

- (63) Continuation of application No. 14/520,165, filed on Oct. 21, 2014.
- (51) **LOC (10) Cl.** **22-04**
- (52) **U.S. Cl.**
USPC **D22/113; D22/199**
- (58) **Field of Classification Search**
USPC **D22/113, 199**
CPC **F41J 1/10; F41J 5/14; F41J 1/00;**
F41J 3/0004

See application file for complete search history.

(57) **CLAIM**

The ornamental design for a target stand, as shown and described.

DESCRIPTION

FIG. 1 is a perspective view of the target stand in accordance with my invention;
FIG. 2 is a front view thereof;
FIG. 3 is a back view thereof;
FIG. 4 is a right side view thereof;
FIG. 5 is a left side view thereof;
FIG. 6 is a top view thereof; and,
FIG. 7 is a bottom view thereof.

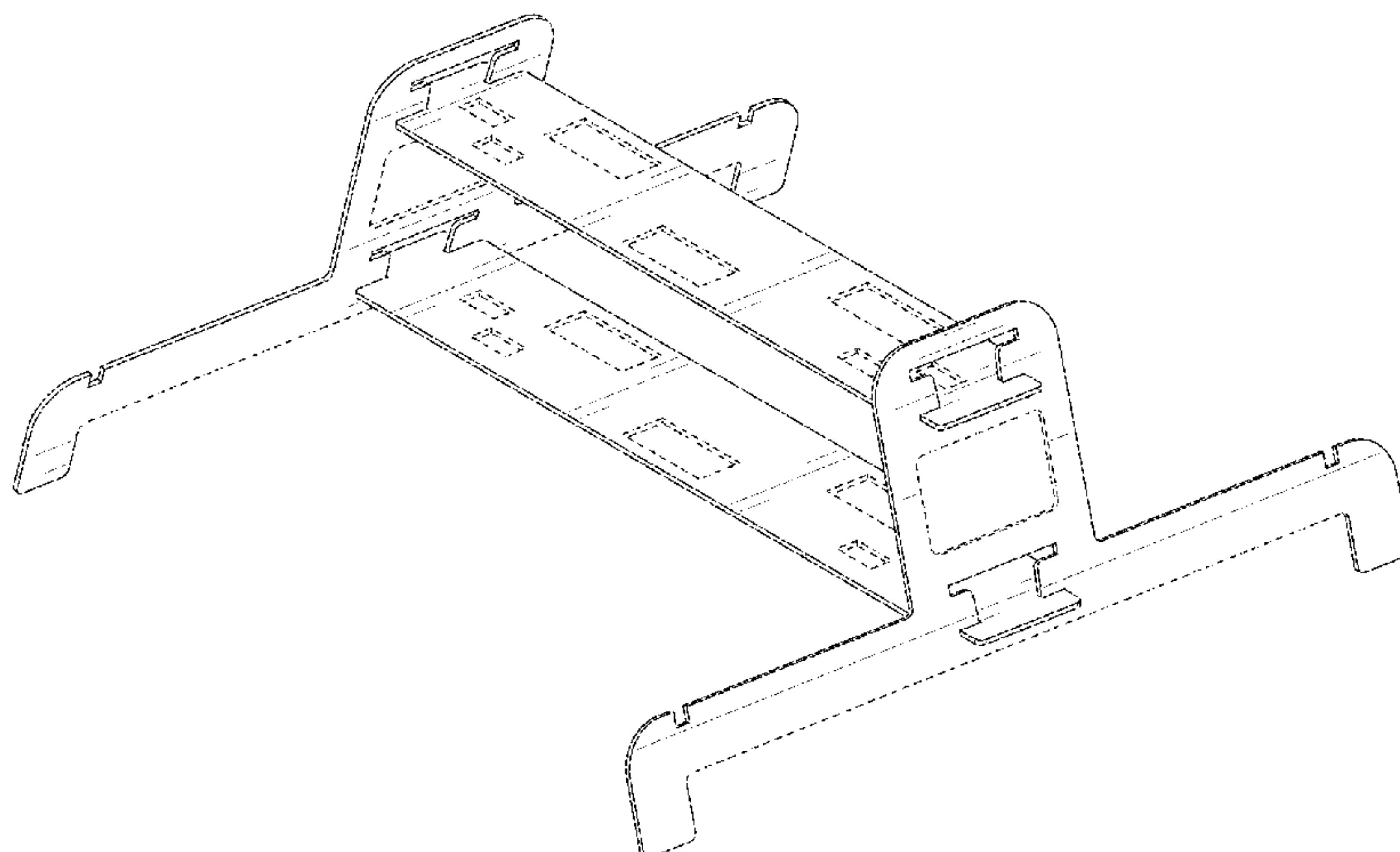
The surface indicia of parallel lines form no part of the claimed design and are merely contour shading. Throughout the drawings the broken lines illustrate unclaimed subject matter only and form no part of the claimed design.

1 Claim, 5 Drawing Sheets

(56) **References Cited**

U.S. PATENT DOCUMENTS

3,987,737	A	10/1976	Smith
4,403,554	A	9/1983	Valentine et al.
4,691,925	A	9/1987	Scholem
5,067,683	A	11/1991	Wager
5,280,920	A	1/1994	Knapper, II
5,443,168	A	8/1995	Dyment et al.
5,479,732	A	1/1996	Burtch et al.
5,522,574	A	6/1996	Maglione
5,644,995	A	7/1997	Gurwell et al.
5,851,001	A	12/1998	Dicke et al.
6,382,433	B1	5/2002	Podergois
6,491,303	B1	12/2002	Huston
6,581,895	B1	6/2003	Pleasant



(56)

References Cited

OTHER PUBLICATIONS

U.S. PATENT DOCUMENTS

2014/0252719 A1 9/2014 Johnson
2015/0137455 A1* 5/2015 Pixton F41J 1/10
273/407
2015/0292842 A1* 10/2015 Pixton F41J 1/10
273/407

Law Enforcement Targets Inc, "Target Stands", <https://www.letargets.com> search as accessed on Sep. 15, 2014, p. 5.

* cited by examiner

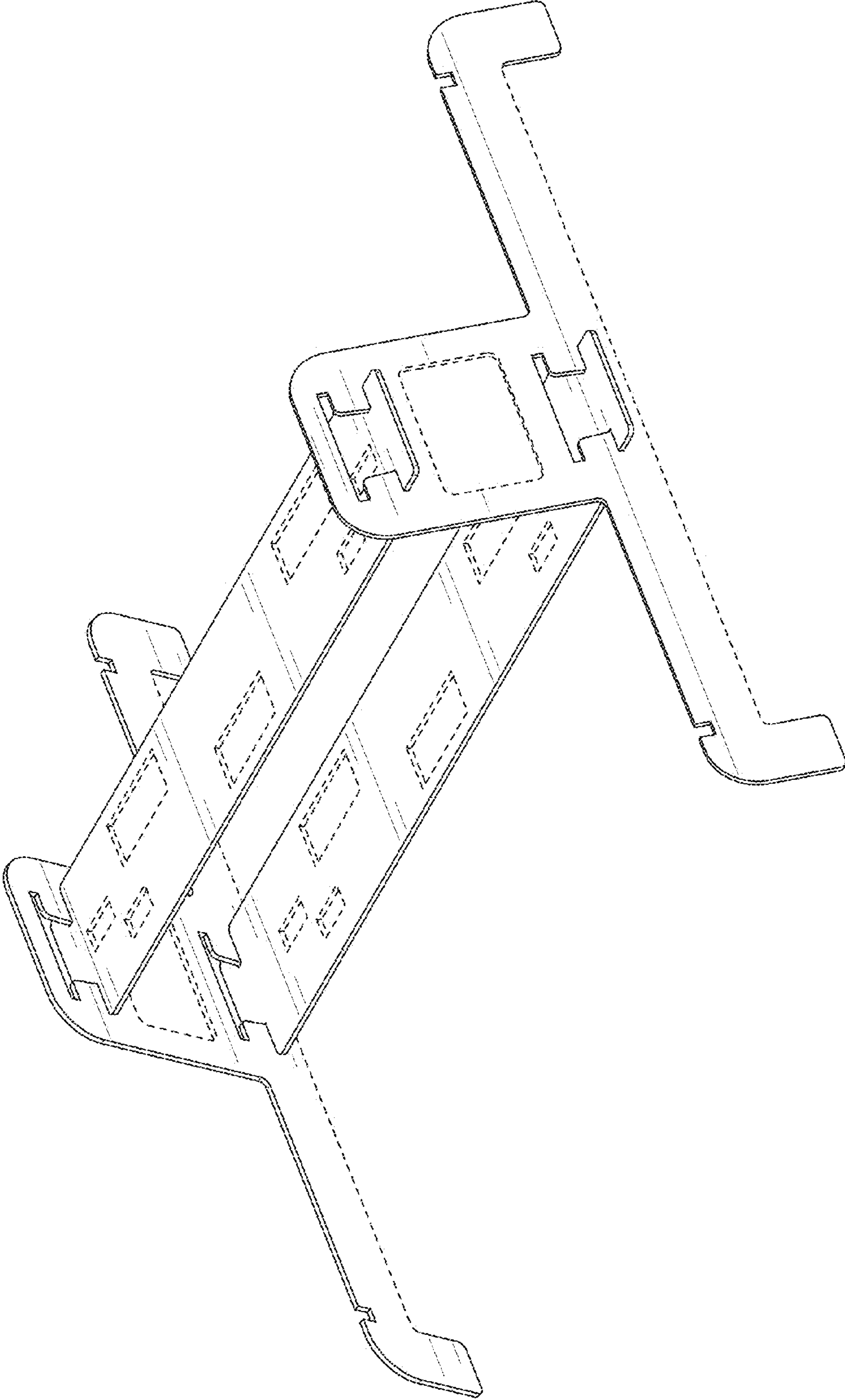


FIG. 1

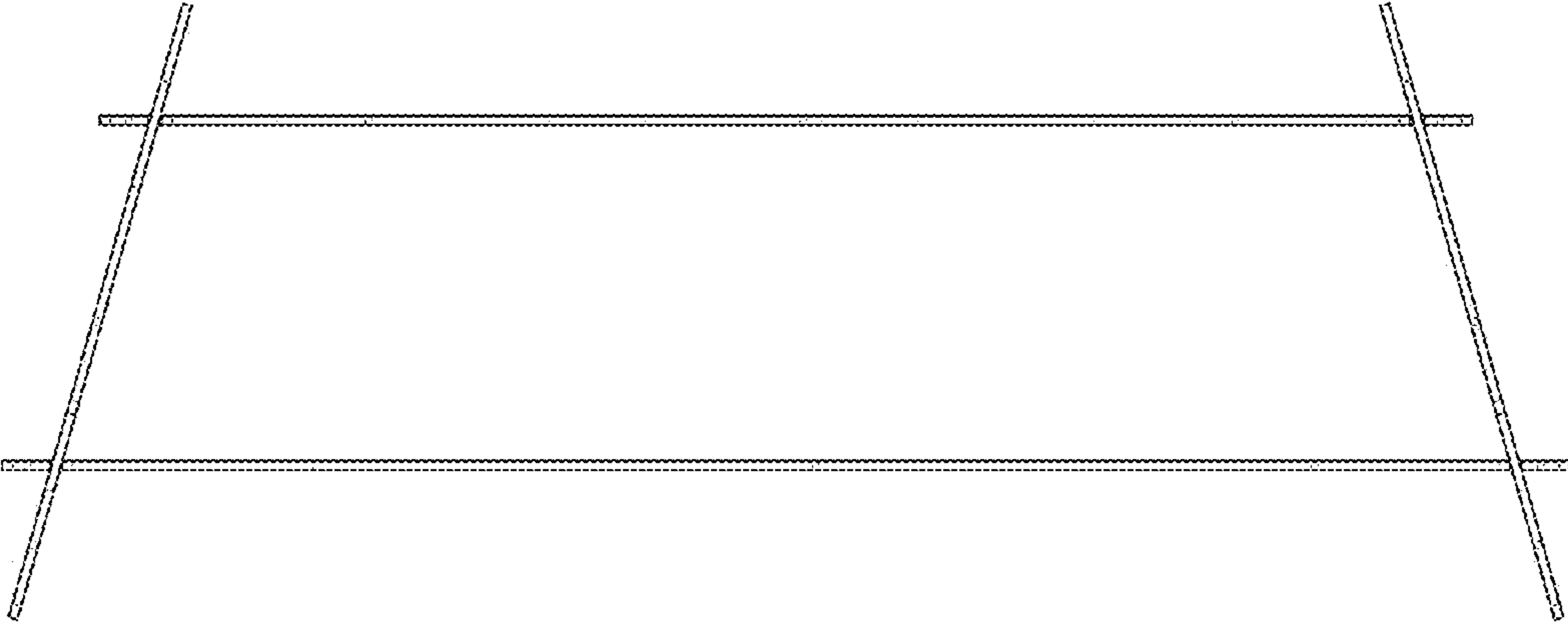


FIG. 2

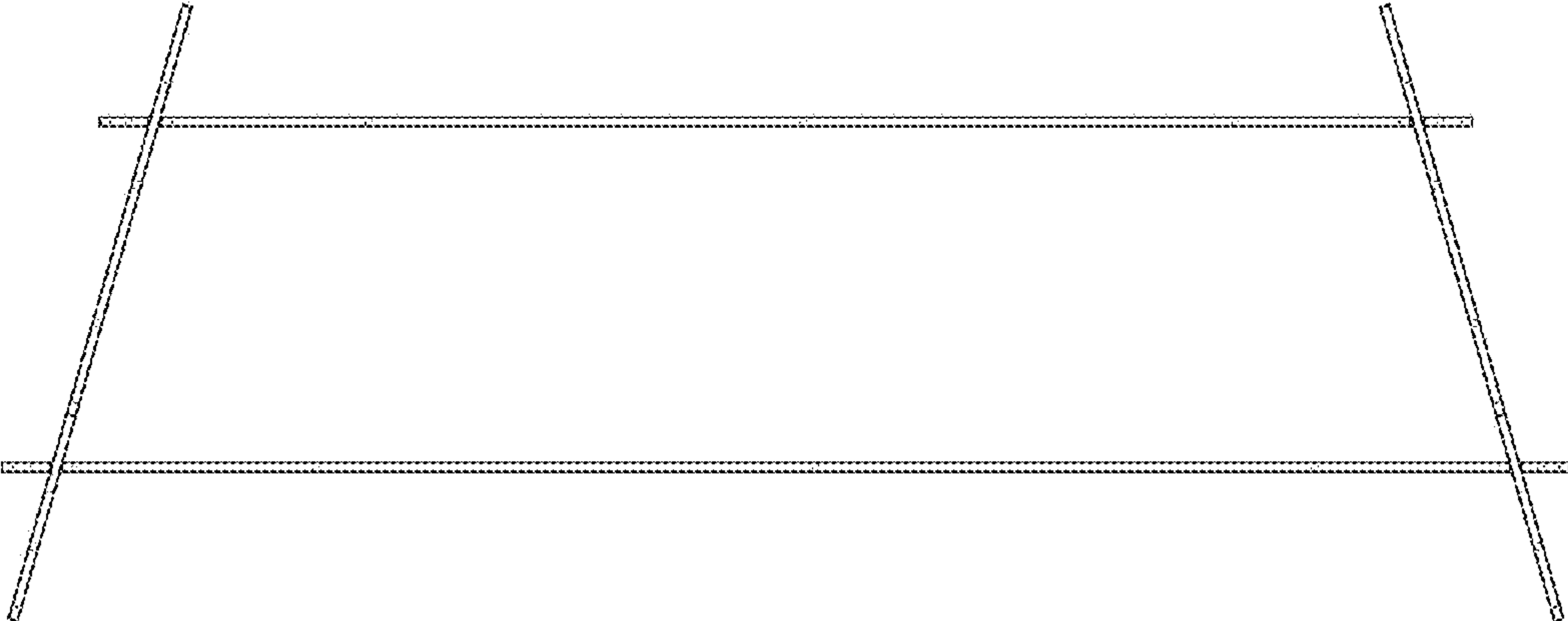


FIG. 3

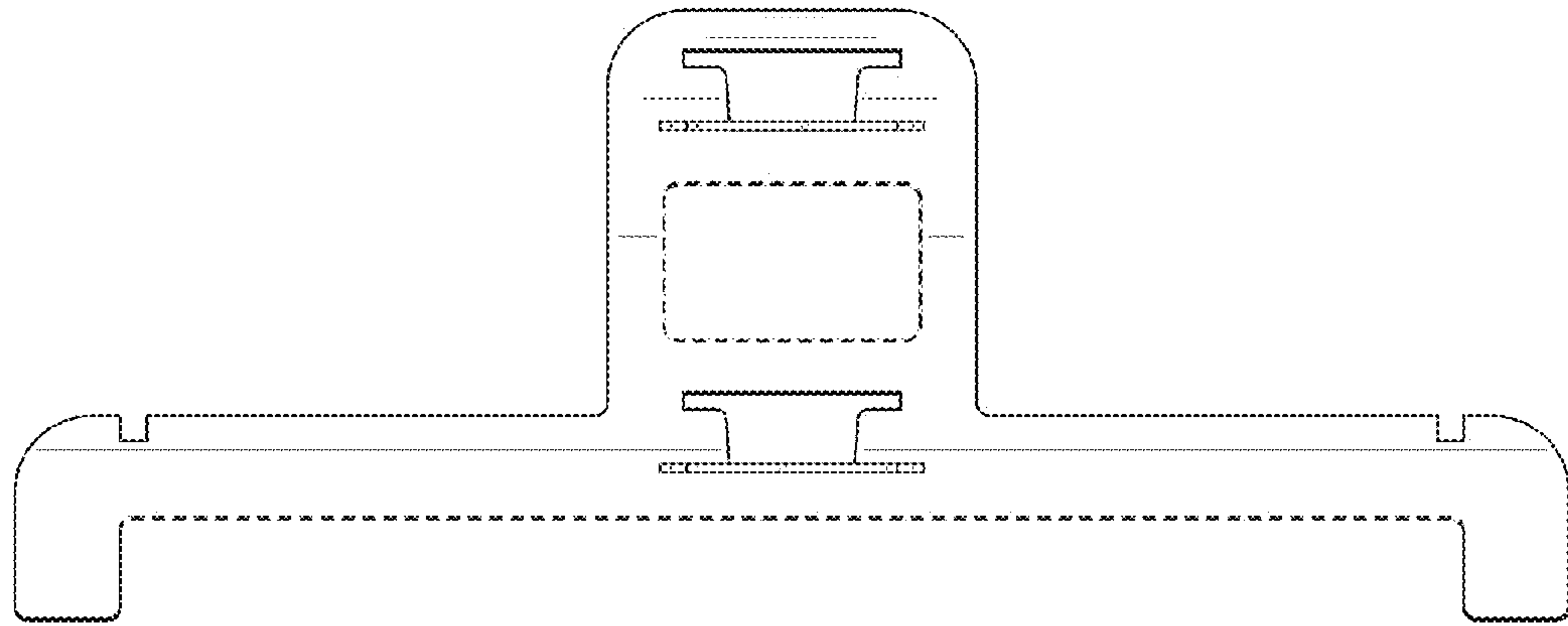


FIG. 4

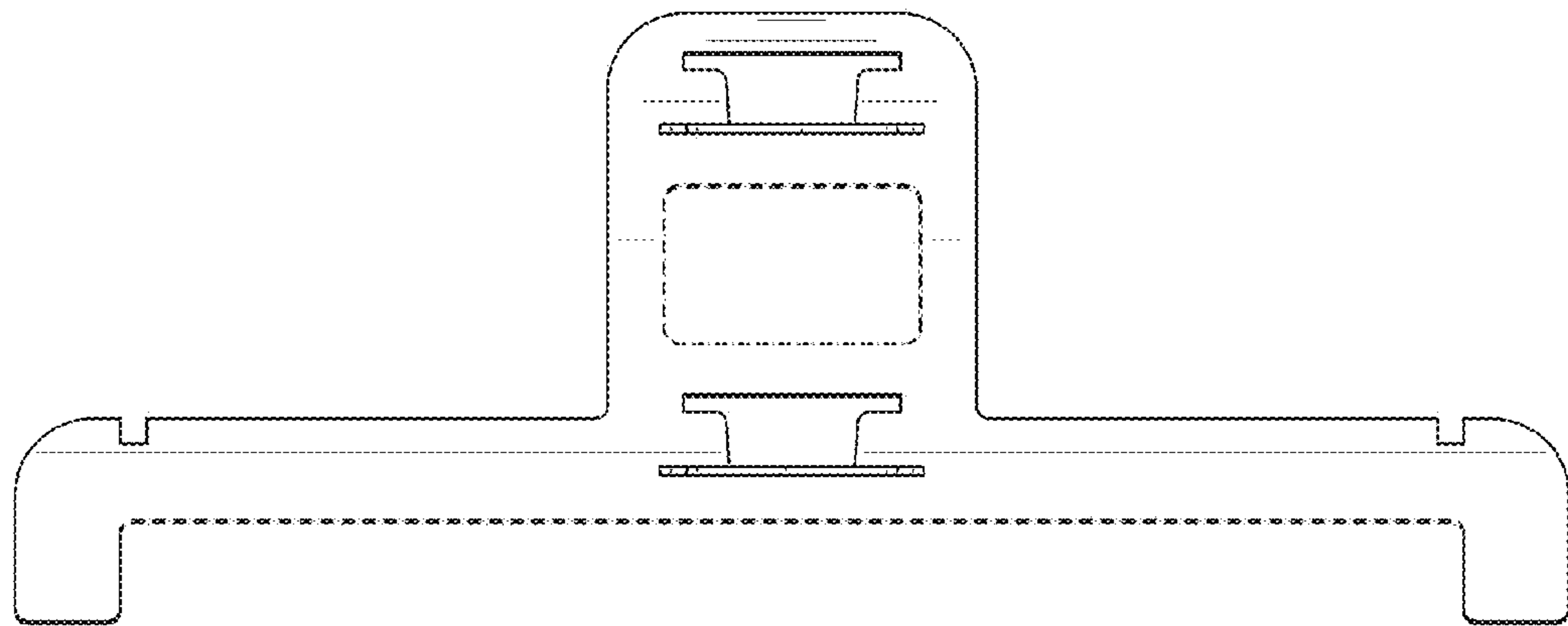


FIG. 5

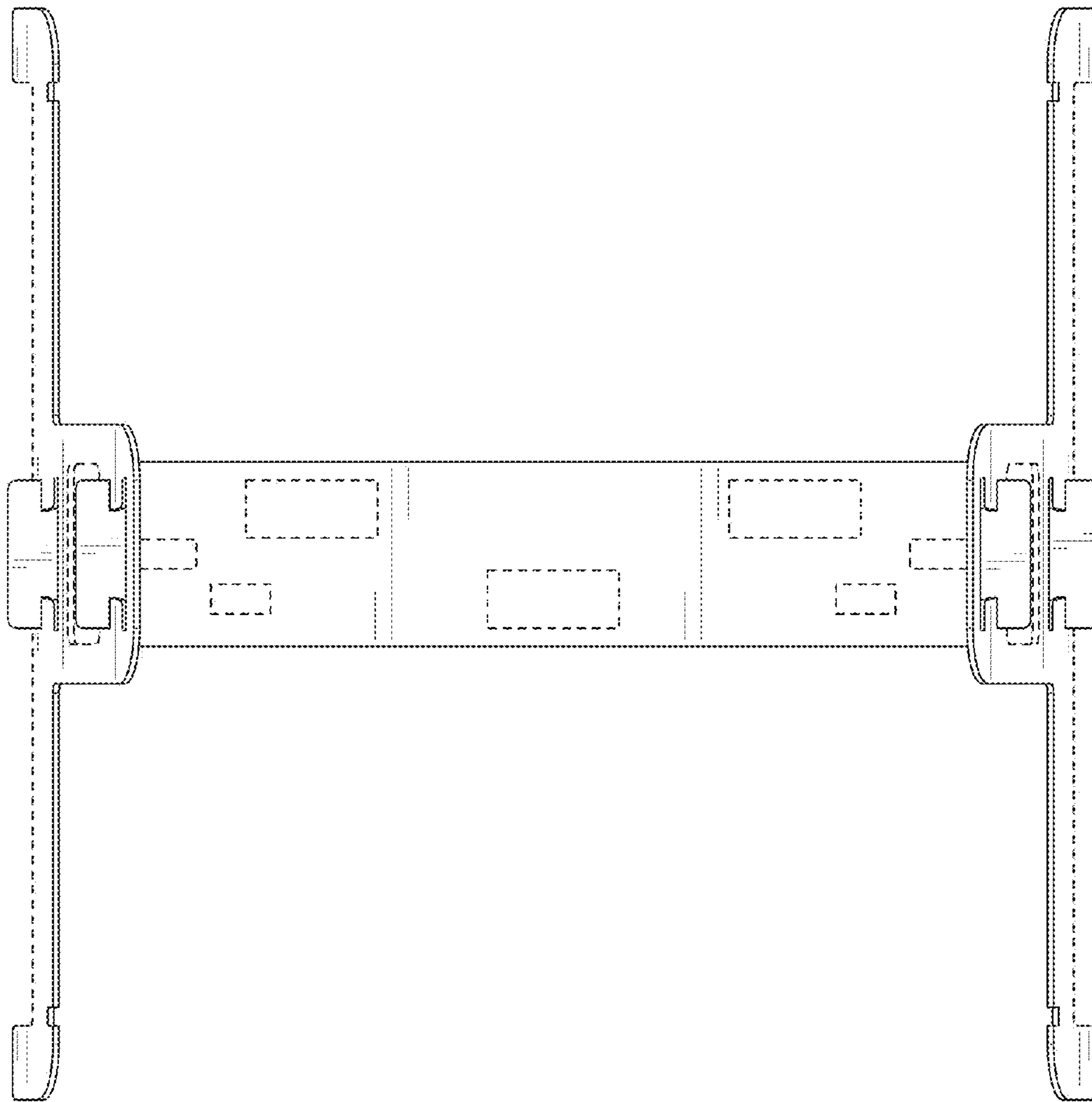


FIG. 6

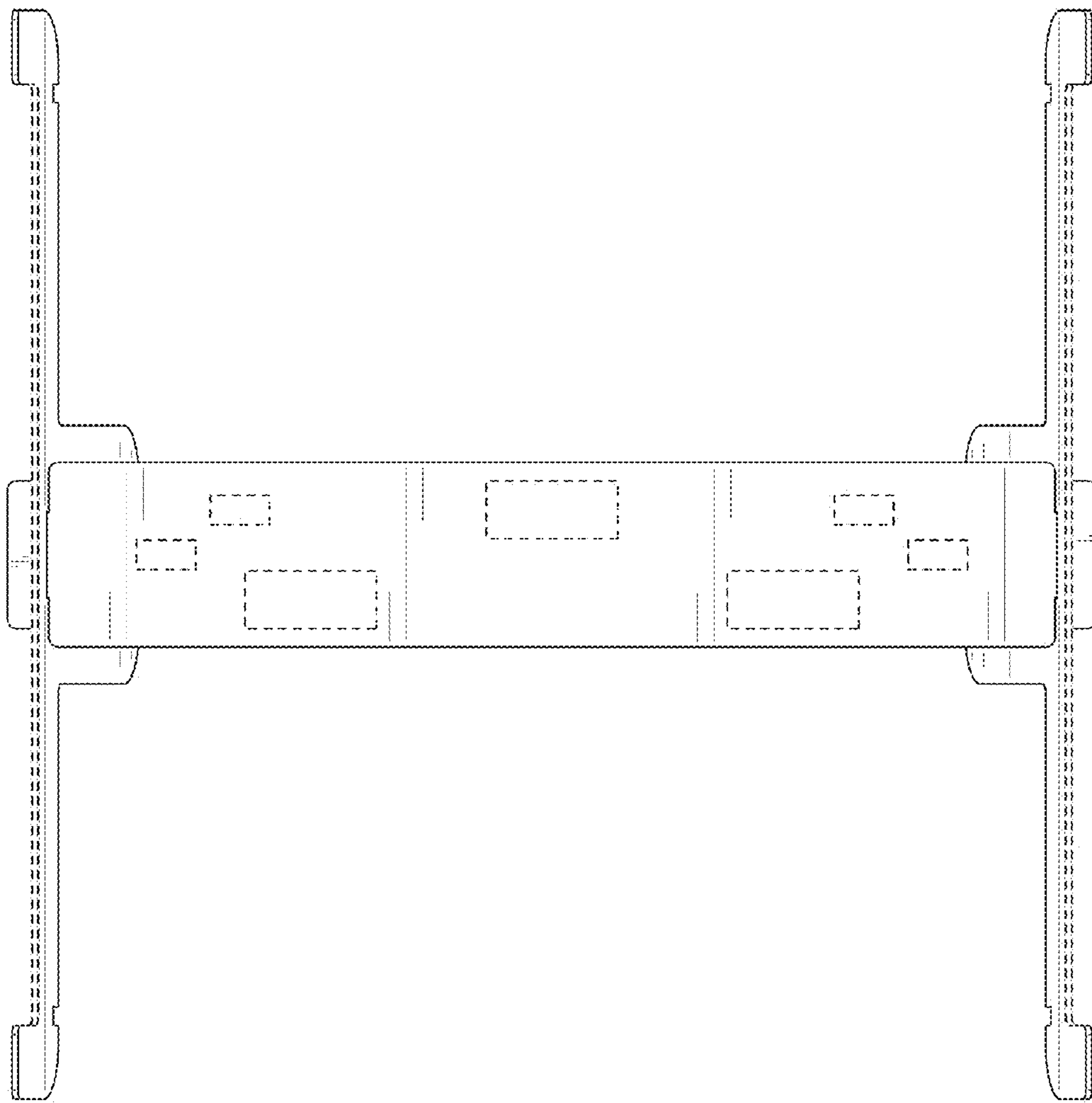


FIG. 7