



US00D763400S

(12) **United States Design Patent**
Johnston

(10) **Patent No.:** **US D763,400 S**

(45) **Date of Patent:** **** Aug. 9, 2016**

(54) **LASER DEVICE**

(71) Applicant: **Crimson Trace Corporation,**
Wilsonville, OR (US)

(72) Inventor: **William Johnston,** Sherwood, OR (US)

(73) Assignee: **Crimson Trace Corporation,**
Wilsonville, OR (US)

(**) Term: **14 Years**

(21) Appl. No.: **29/514,972**

(22) Filed: **Jan. 19, 2015**

(51) **LOC (10) Cl.** **22-01**

(52) **U.S. Cl.**
USPC **D22/109**

(58) **Field of Classification Search**
USPC D22/108-109
CPC F41G 1/35; F41G 11/003; F41G 1/00;
F41G 1/36; F41G 1/34; F41G 3/26
See application file for complete search history.

(56) **References Cited**

U.S. PATENT DOCUMENTS

D636,049 S	*	4/2011	Hughes	D22/109
D636,837 S	*	4/2011	Hughes	D22/109
D669,553 S	*	10/2012	Hughes	D22/109
D669,958 S	*	10/2012	Essig	D22/108
D674,862 S	*	1/2013	Johnston	D22/109
D687,120 S	*	7/2013	Hughes	D22/109

D692,518 S	*	10/2013	Anderson	D22/108
D693,898 S	*	11/2013	Essig	D22/108
D694,847 S	*	12/2013	Anderson	D22/108
D694,848 S	*	12/2013	Anderson	D22/109
D696,376 S	*	12/2013	Anderson	D22/109
D709,981 S	*	7/2014	Johnston	D22/108
D738,456 S	*	9/2015	Hughes	D22/109
D738,457 S	*	9/2015	Johnston	D22/109

* cited by examiner

Primary Examiner — Michael A Pratt

(74) *Attorney, Agent, or Firm* — Schwabe, Williamson & Wyatt, P.C.

(57) **CLAIM**

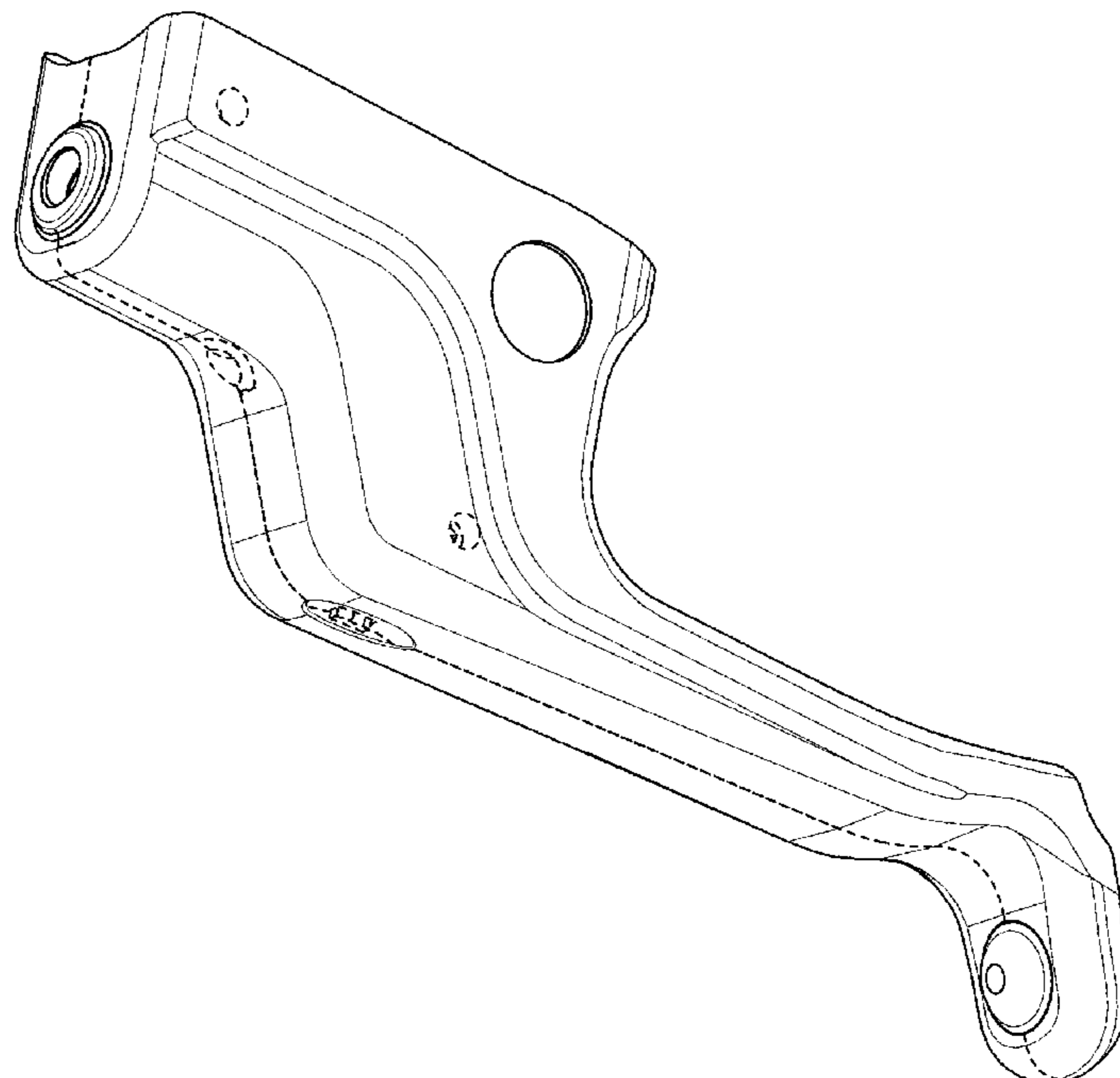
I claim an ornamental design for a laser device, as shown and described.

DESCRIPTION

FIG. 1 is a perspective view of a laser device, showing our new design;
FIG. 2 is a front view thereof;
FIG. 3 is a rear view thereof;
FIG. 4 is a right side view thereof;
FIG. 5 is a left side view thereof;
FIG. 6 is a top view thereof;
FIG. 7 is a bottom view thereof; and,
FIG. 8 is a perspective view of the laser device, shown mounted on a firearm.

The dashed lines are included for illustrating interior and/or environmental structures and form no part of the claimed design.

1 Claim, 8 Drawing Sheets



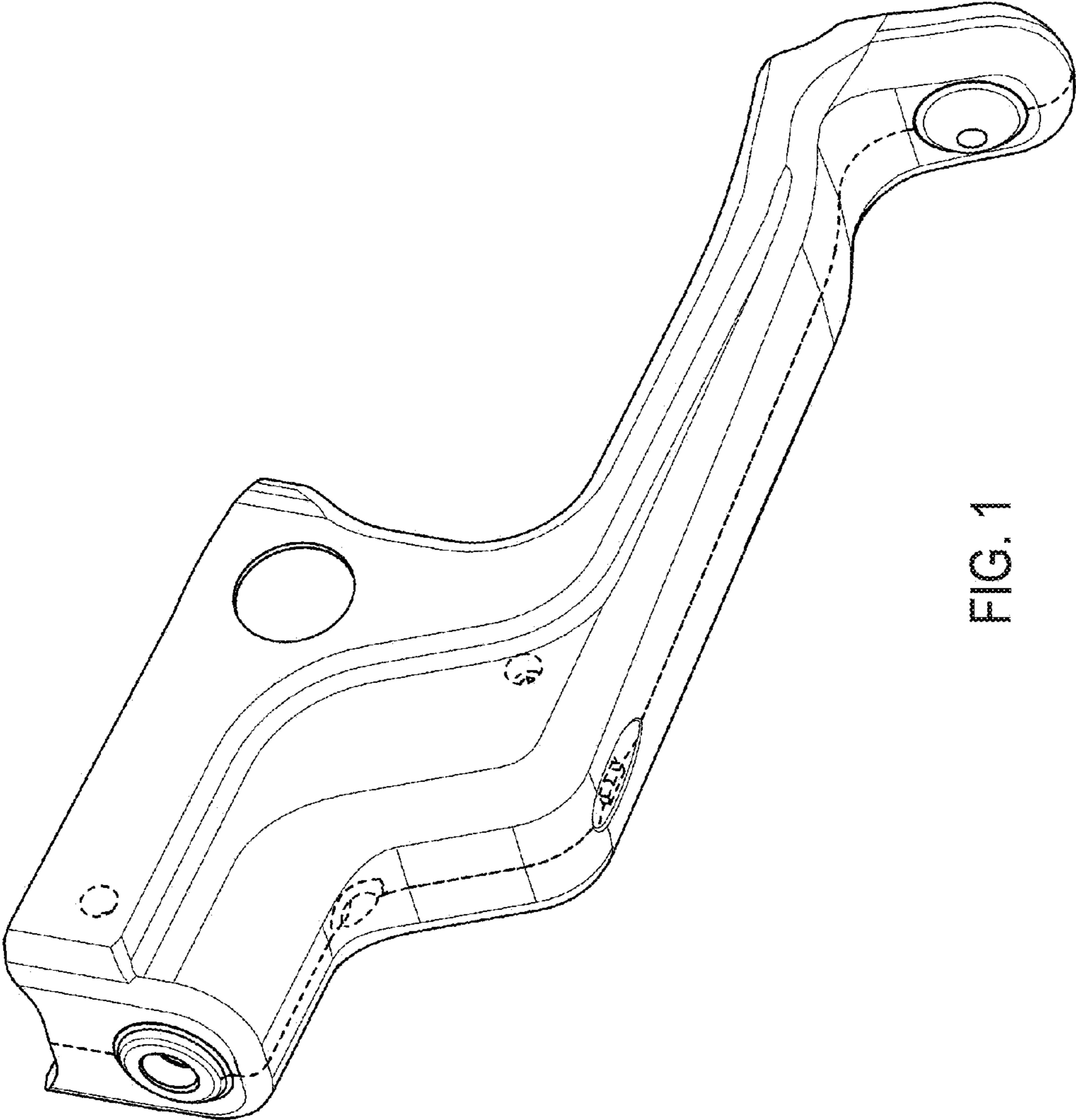


FIG. 1

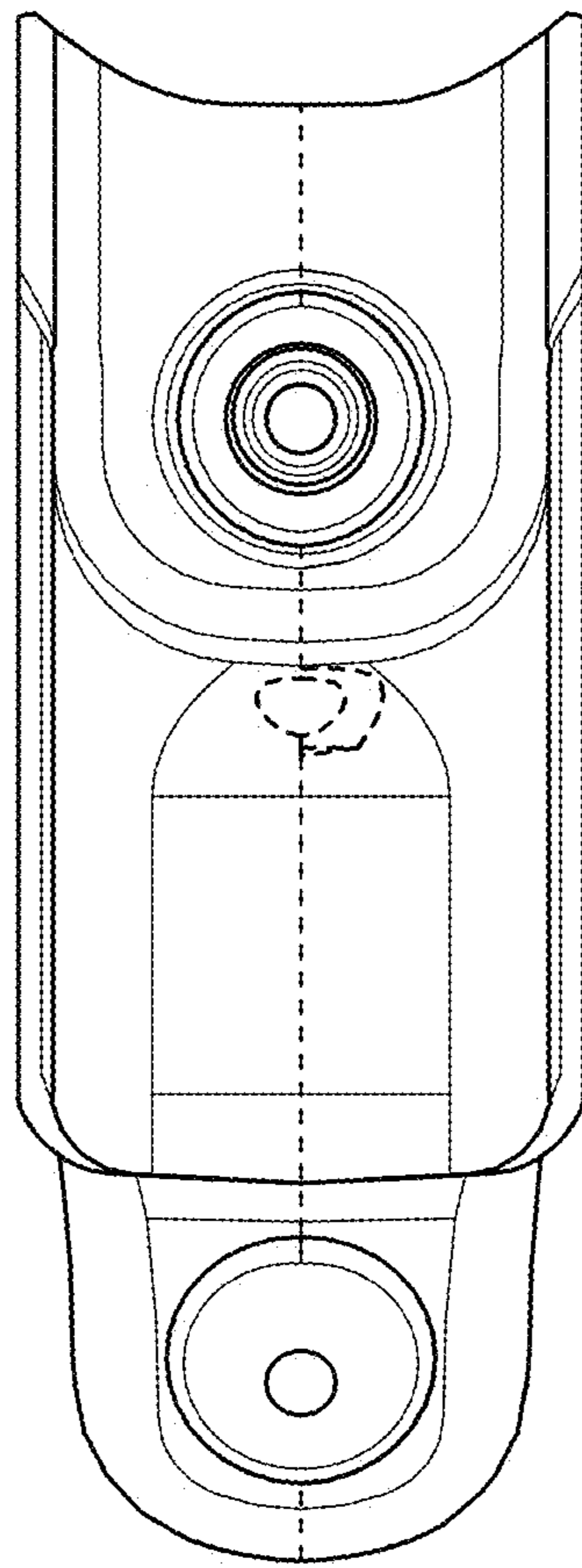


FIG. 2

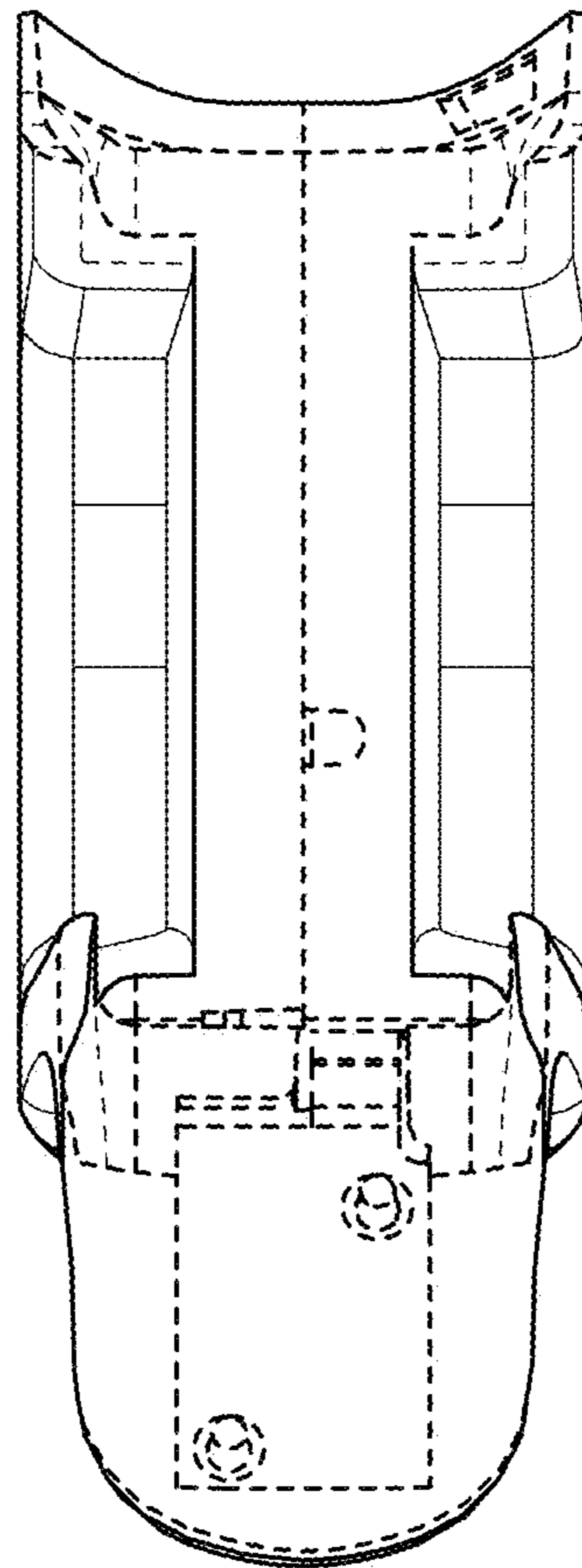


FIG. 3

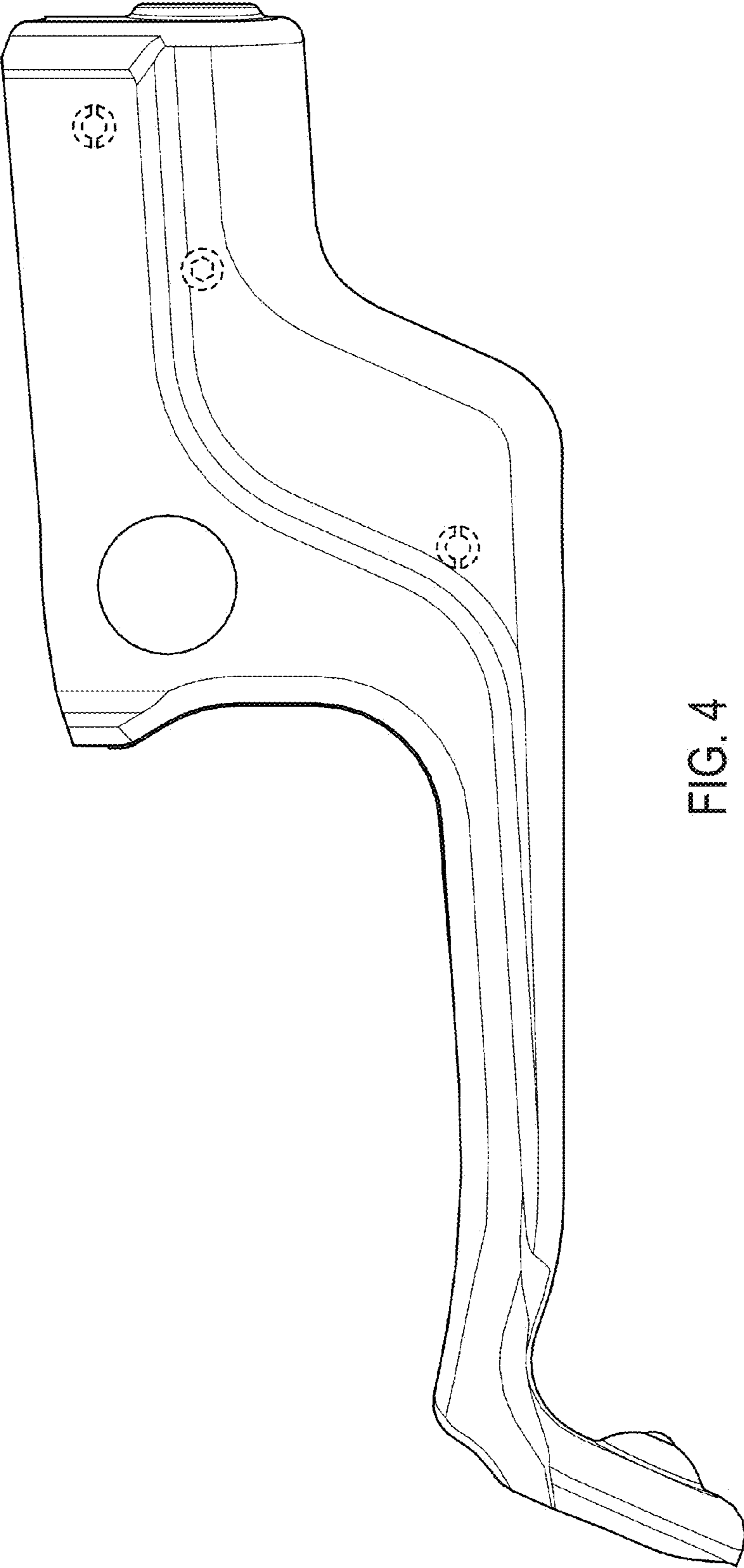


FIG. 4

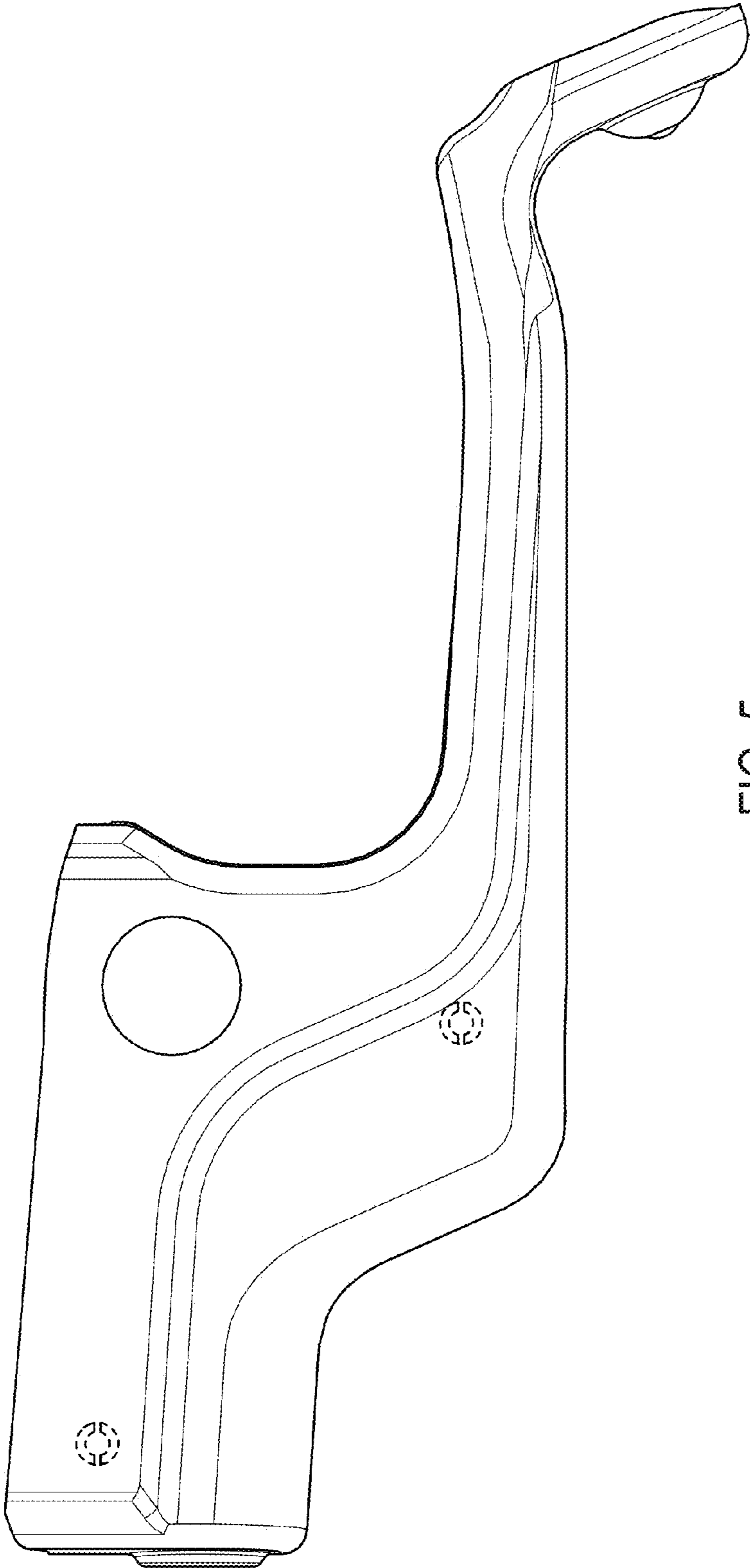


FIG. 5

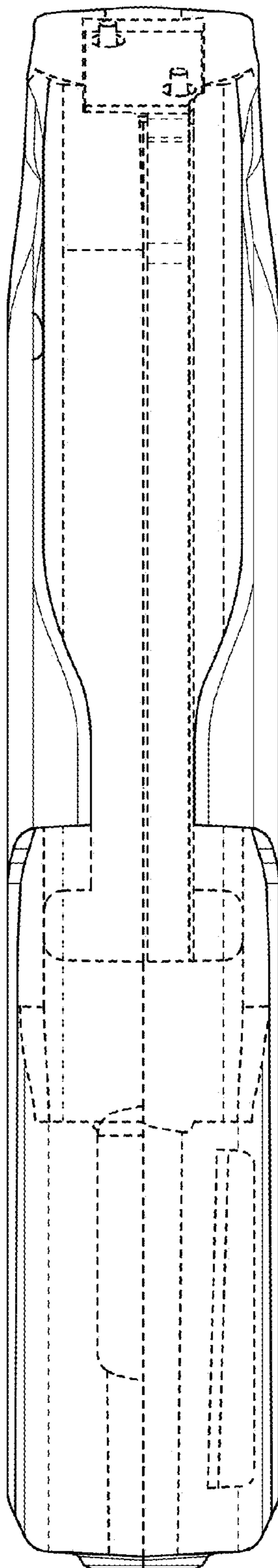


FIG. 6

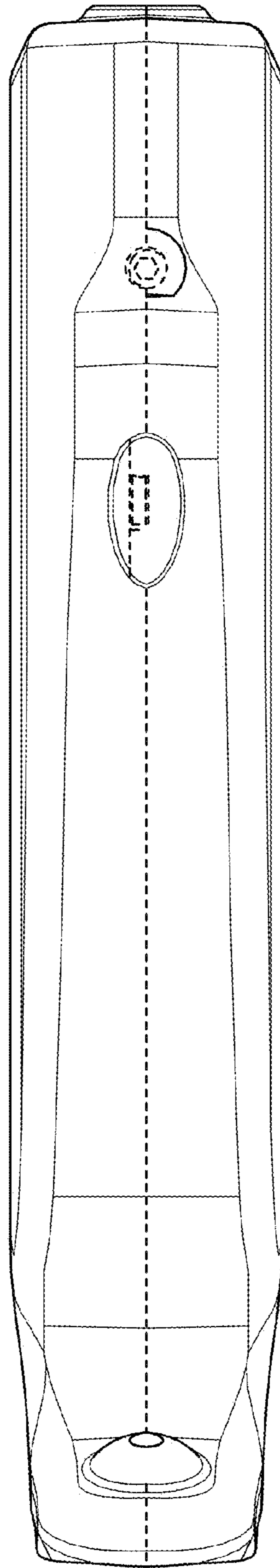


FIG. 7

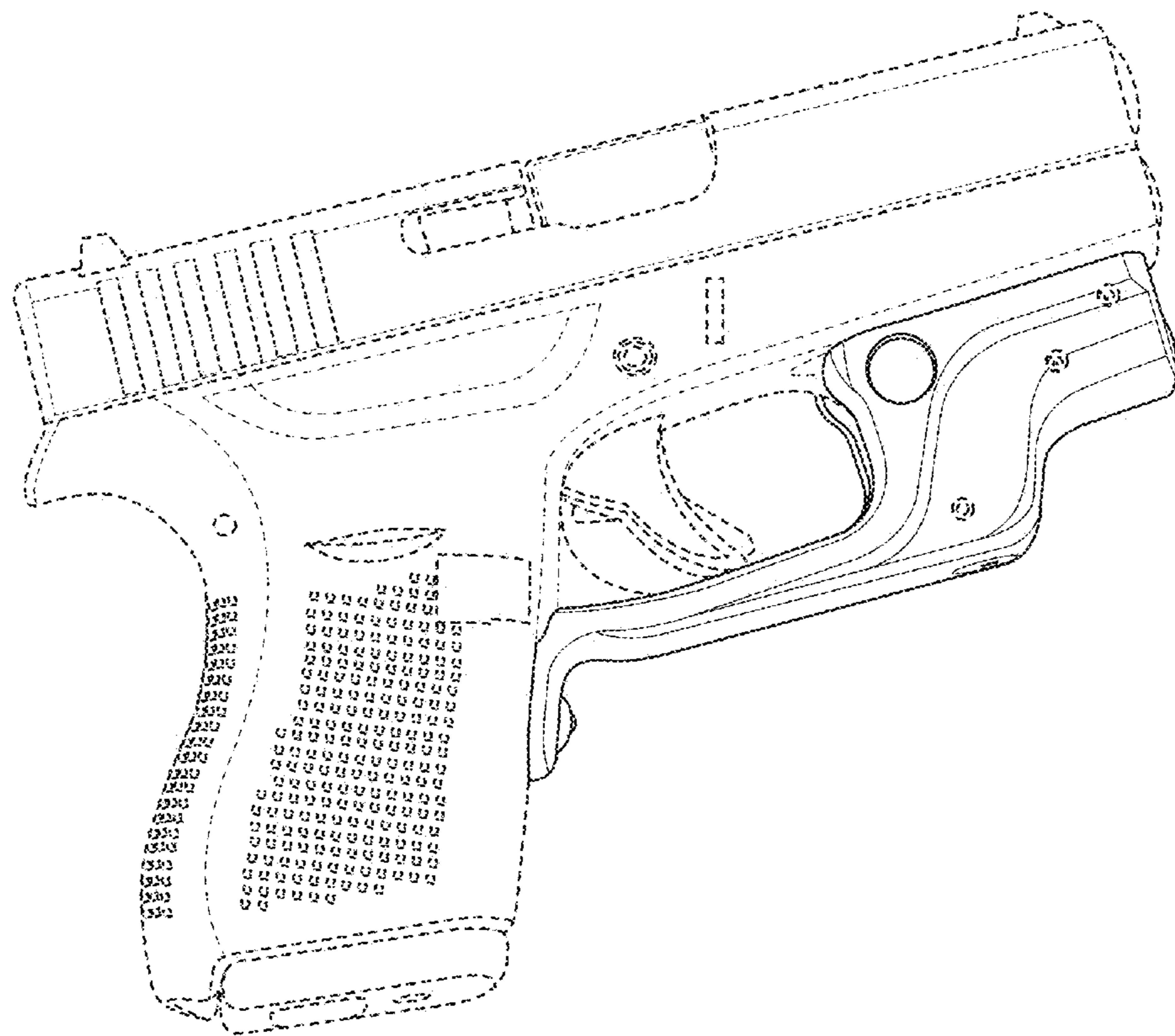


FIG. 8