



US00D763396S

(12) **United States Design Patent**
Juarez

(10) **Patent No.:** **US D763,396 S**
(45) **Date of Patent:** **** Aug. 9, 2016**

(54) **FIREARM CHASSIS**

(71) Applicant: **Justin R. Juarez**, Middleton, ID (US)

(72) Inventor: **Justin R. Juarez**, Middleton, ID (US)

(**) Term: **14 Years**

(21) Appl. No.: **29/512,723**

(22) Filed: **Dec. 22, 2014**

(51) **LOC (10) Cl.** **22-01**

(52) **U.S. Cl.**
USPC **D22/108**

(58) **Field of Classification Search**

USPC D22/103, 108; D21/572-575

CPC F41A 21/28; F41A 5/18; F41A 5/24;

F41C 23/00; F41C 27/00; F41C 27/06;

F41C 23/10; F41C 23/14; F41C 23/16;

F41C 23/18

See application file for complete search history.

(56) **References Cited**

U.S. PATENT DOCUMENTS

6,487,805 B1 * 12/2002 Reynolds F41A 21/485
42/75.03

6,637,142 B1 * 10/2003 Reynolds F41A 21/485
42/1.06

(Continued)

Primary Examiner — Michael A Pratt

(74) *Attorney, Agent, or Firm* — Geoffrey E. Dobbin;
Dobbin IP Law P.C.

(57) **CLAIM**

The ornamental design for a firearm chassis, as shown and described.

DESCRIPTION

FIG. 1 is a right elevation view of the claimed firearm chassis.

FIG. 2 is a left elevation view of the firearm chassis of FIG. 1.

FIG. 3 is a top plan view of the firearm chassis of FIG. 1.

FIG. 4 is a bottom plan view of the firearm chassis of FIG. 1.
FIG. 5 is a front elevation view of the firearm chassis of FIG. 1.

FIG. 6 is a rear elevation view of the firearm chassis of FIG. 1.

FIG. 7 is a bottom rear perspective view of the firearm chassis of FIG. 1.

FIG. 8 is a top front perspective view of the firearm chassis of FIG. 1.

FIG. 9 is a top rear perspective view of the firearm chassis of FIG. 1.

FIG. 10 is a bottom front perspective view of the firearm chassis of FIG. 1.

FIG. 11 is a bottom rear perspective view of the firearm chassis of FIG. 1.

FIG. 12 is a top front perspective view of the firearm chassis of FIG. 1.

FIG. 13 is a top rear perspective view of the firearm chassis of FIG. 1.

FIG. 14 is a bottom front perspective view of the firearm chassis of FIG. 1.

FIG. 15 is a right elevation view of the firearm chassis of FIG. 1, folded.

FIG. 16 is a left elevation view of the firearm chassis of FIG. 15.

FIG. 17 is a top plan view of the firearm chassis of FIG. 15.

FIG. 18 is a bottom plan view of the firearm chassis of FIG. 15.

FIG. 19 is a front elevation view of the firearm chassis of FIG. 15.

FIG. 20 is a rear elevation view of the firearm chassis of FIG. 15.

FIG. 21 is a top front (left) perspective view of the firearm chassis of FIG. 15.

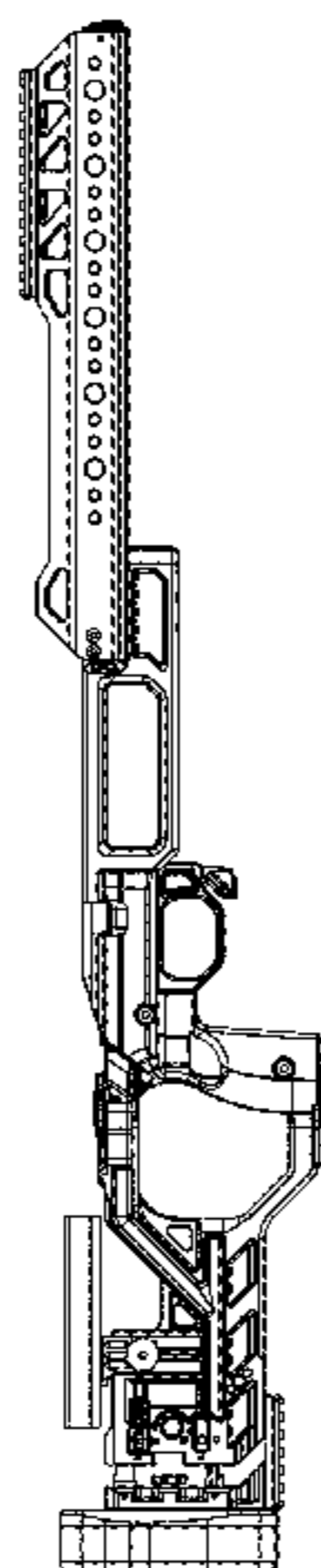
FIG. 22 is a top rear perspective view of the firearm chassis of FIG. 15.

FIG. 23 is a bottom front perspective view of the firearm chassis of FIG. 15; and,

FIG. 24 is a top front perspective view of the firearm chassis of FIG. 15.

The broken lines in FIGS. 2, 11-15, and 22-24 depict a logo and are illustrative of environment and not intended to form a part of the claimed design.

1 Claim, 14 Drawing Sheets



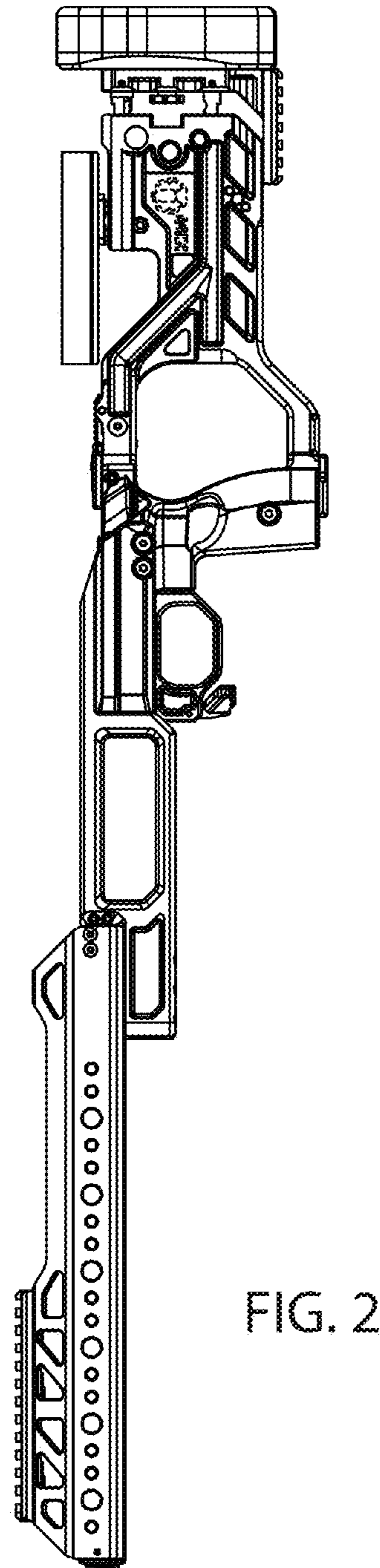
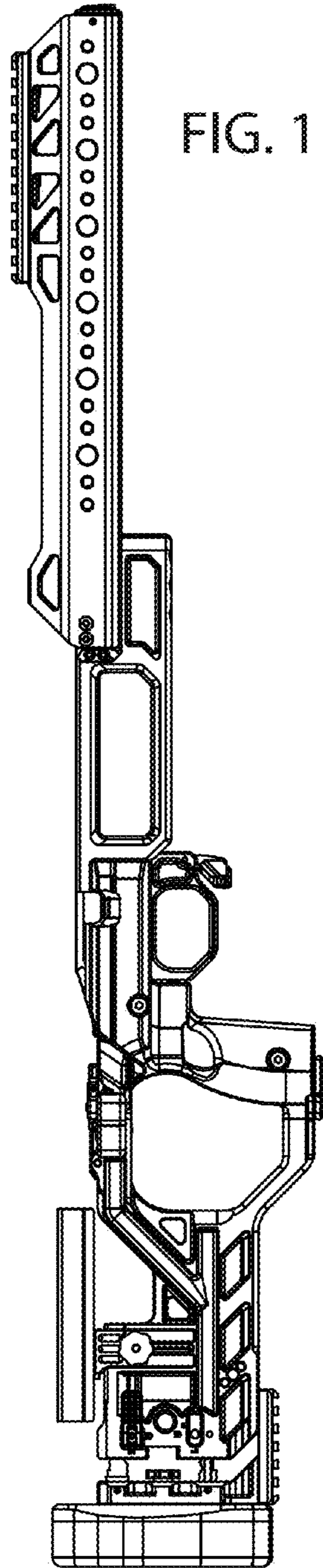
(56)

References Cited

U.S. PATENT DOCUMENTS

7,665,240	B1 *	2/2010	Bentley	F41A 11/02	D670,783	S *	11/2012	Barrett	D22/103
				42/71.01	D682,973	S *	5/2013	KasanJian-King	D22/108
7,726,060	B1 *	6/2010	Jones	F41A 3/66	D704,294	S	5/2014	Jarboe	
				42/75.02	D722,672	S *	2/2015	Juarez	D22/108
7,802,392	B2	9/2010	Peterson et al.		D738,965	S *	9/2015	Yang	D21/570
D670,782	S *	11/2012	Barrett	D22/103	D739,478	S *	9/2015	Yang	D21/570
					2011/0314717	A1	12/2011	Barrett	
					2012/0023800	A1 *	2/2012	Laney	F41A 3/58
									42/8

* cited by examiner



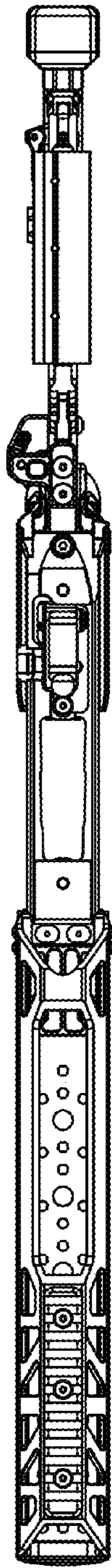


FIG. 3

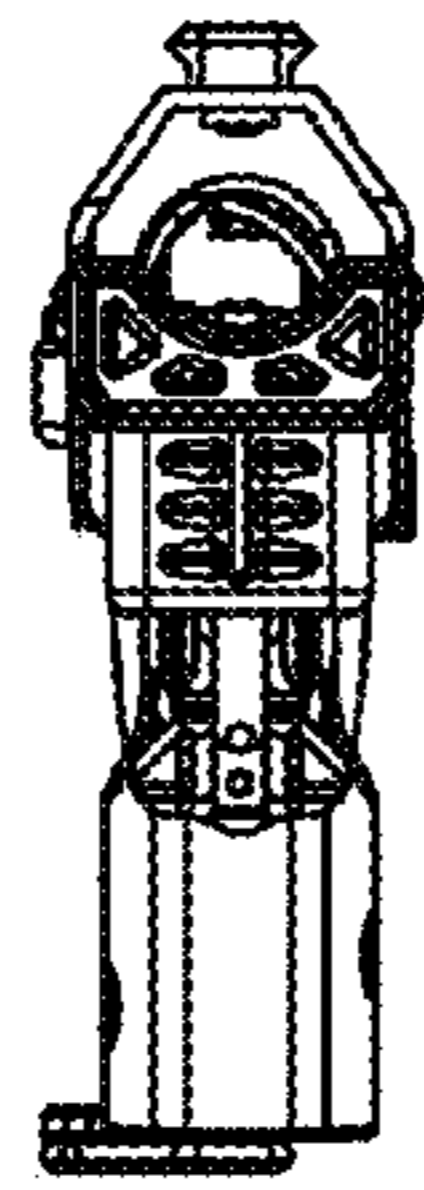


FIG. 5

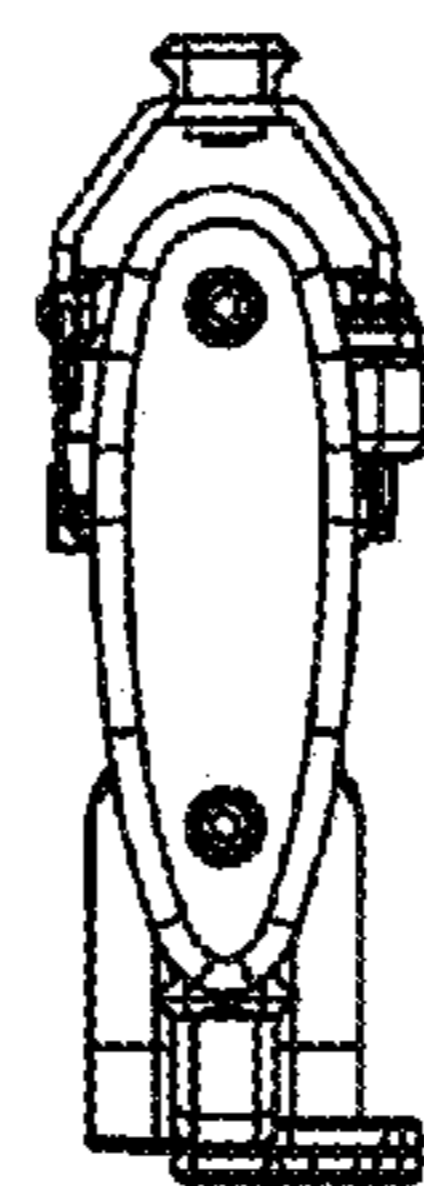


FIG. 6

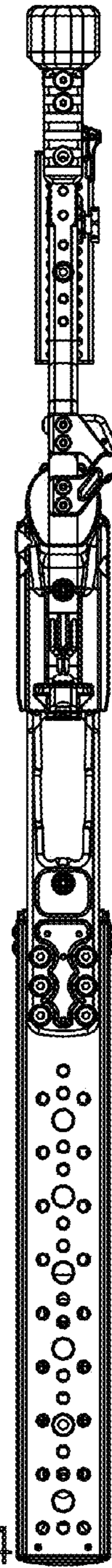


FIG. 4

FIG. 7

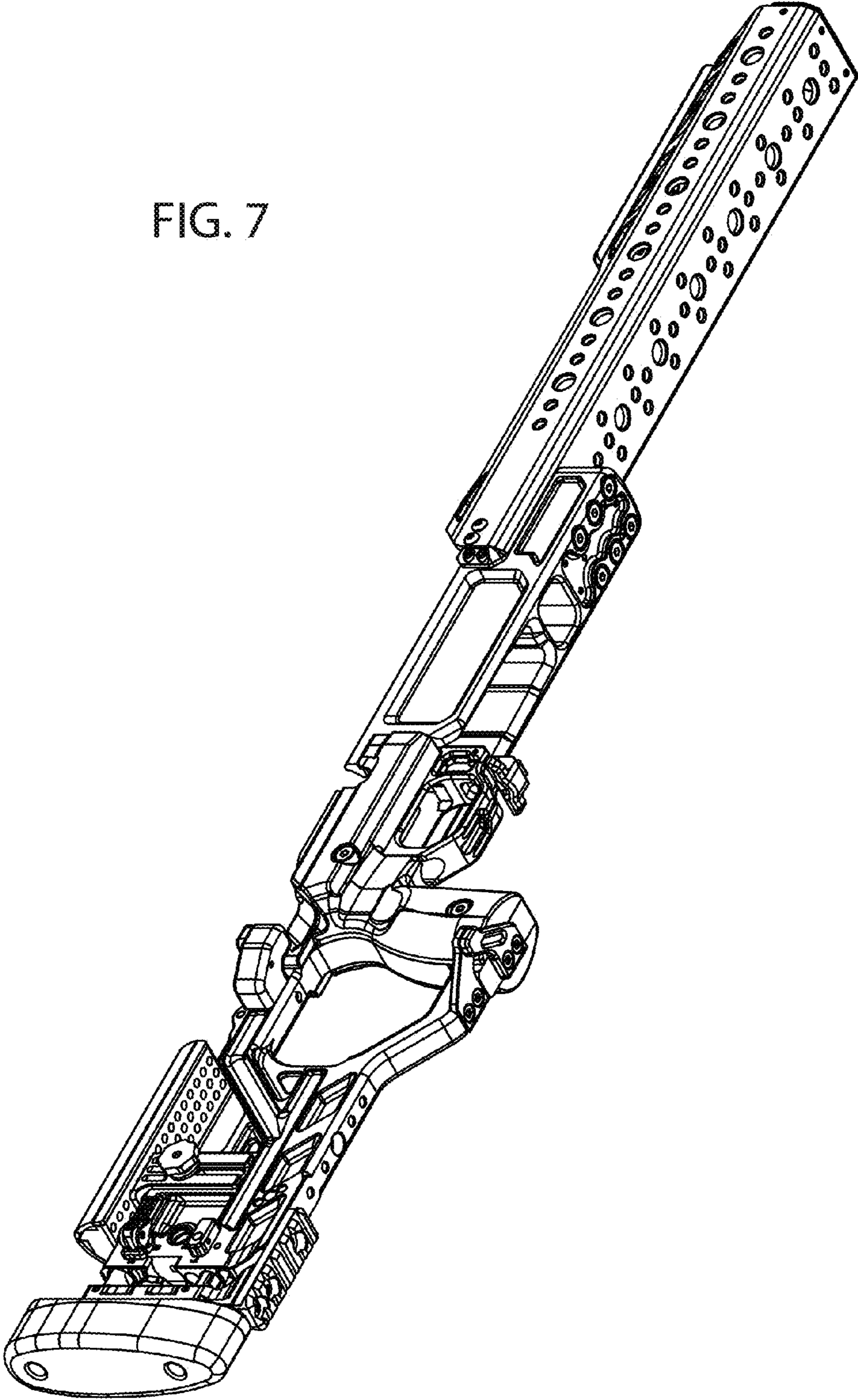
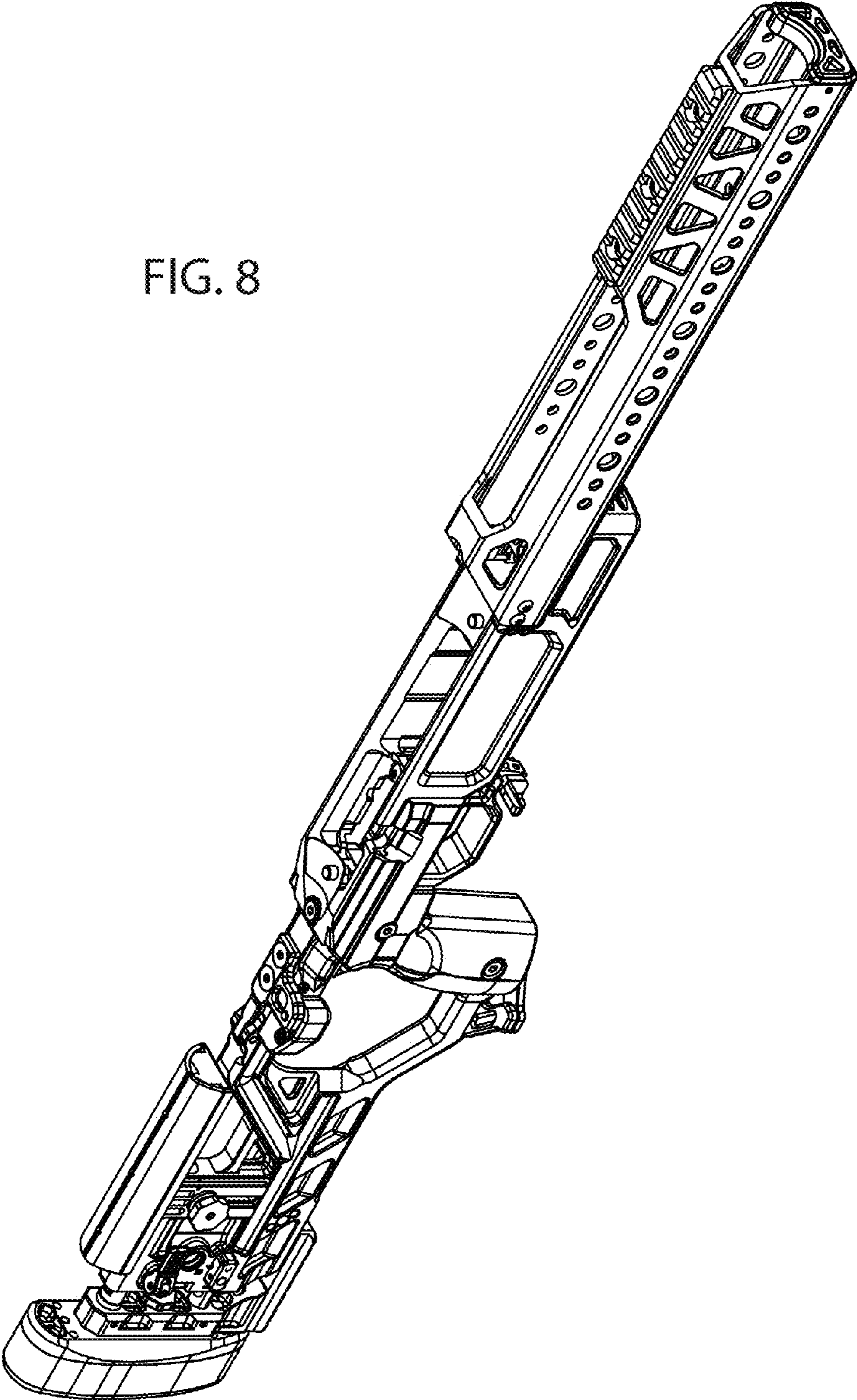


FIG. 8



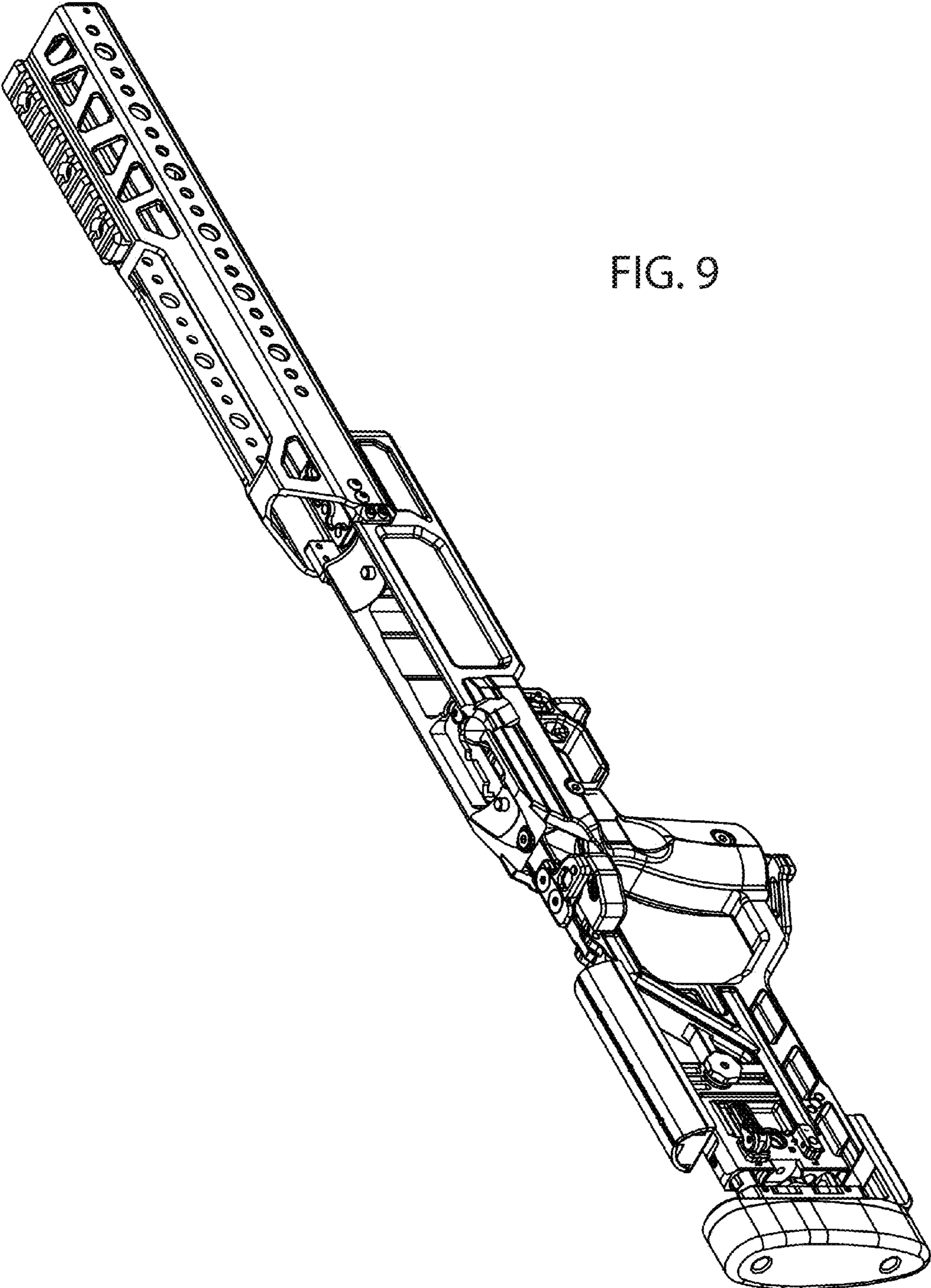


FIG. 9

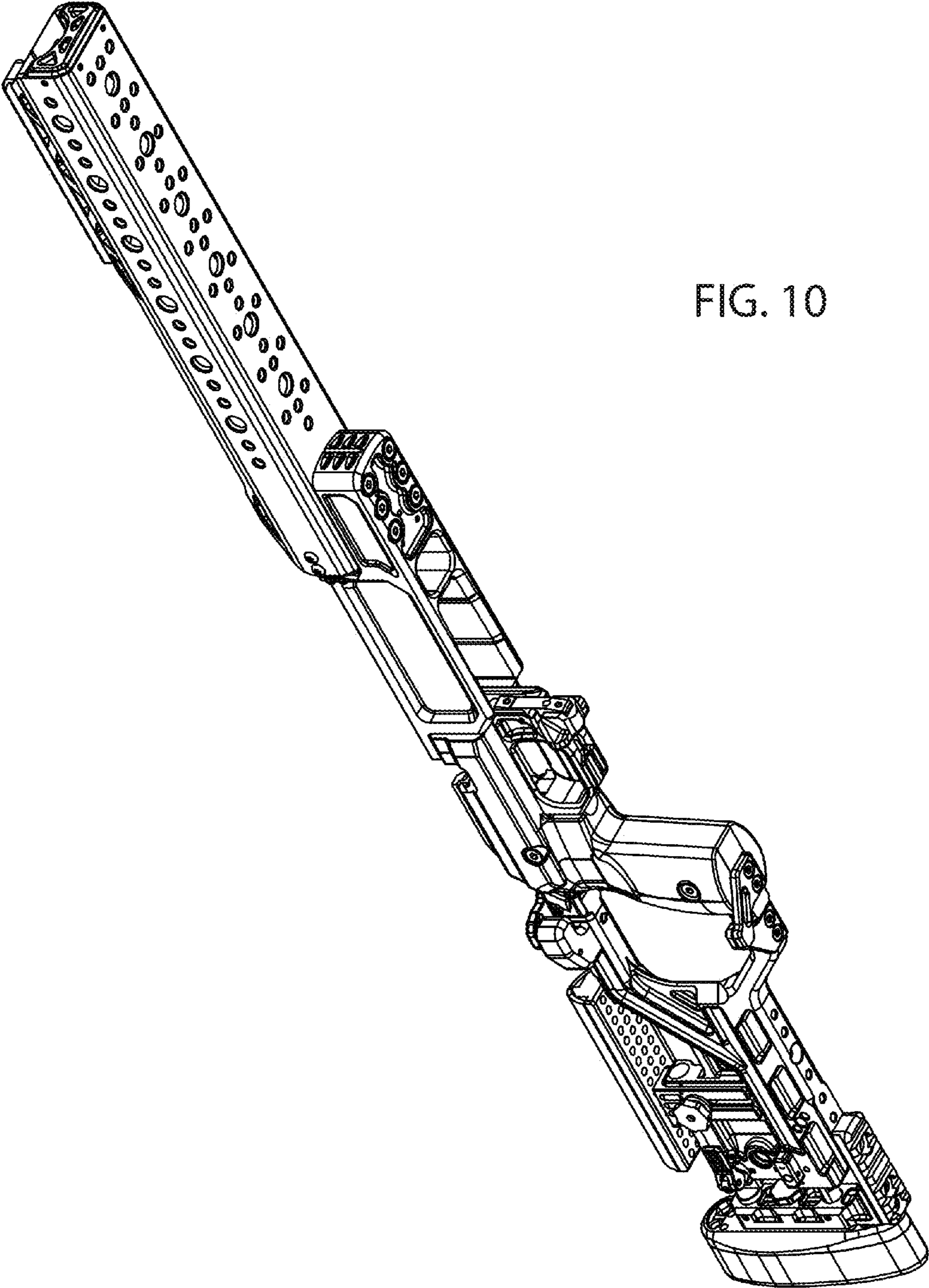


FIG. 10

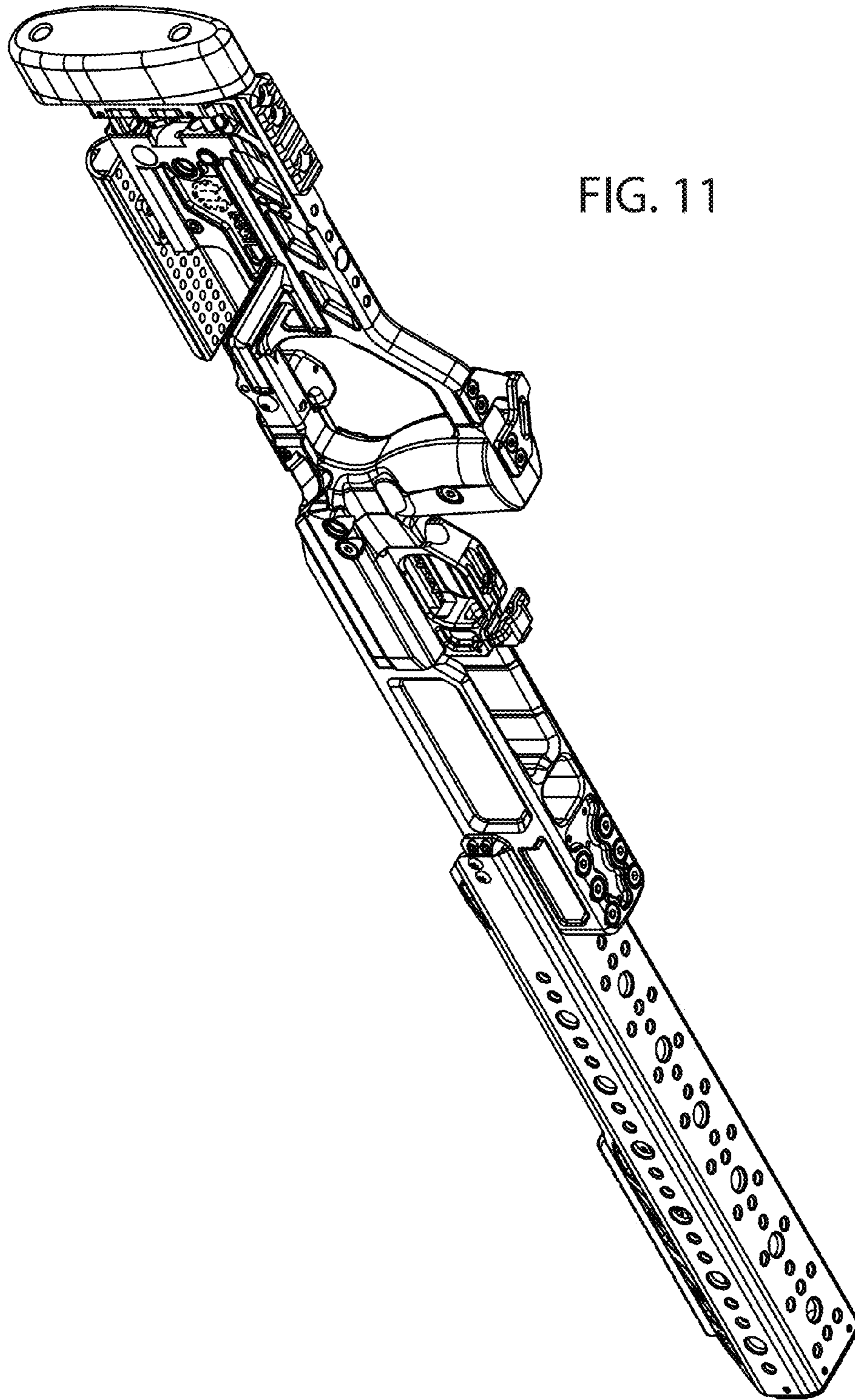


FIG. 11

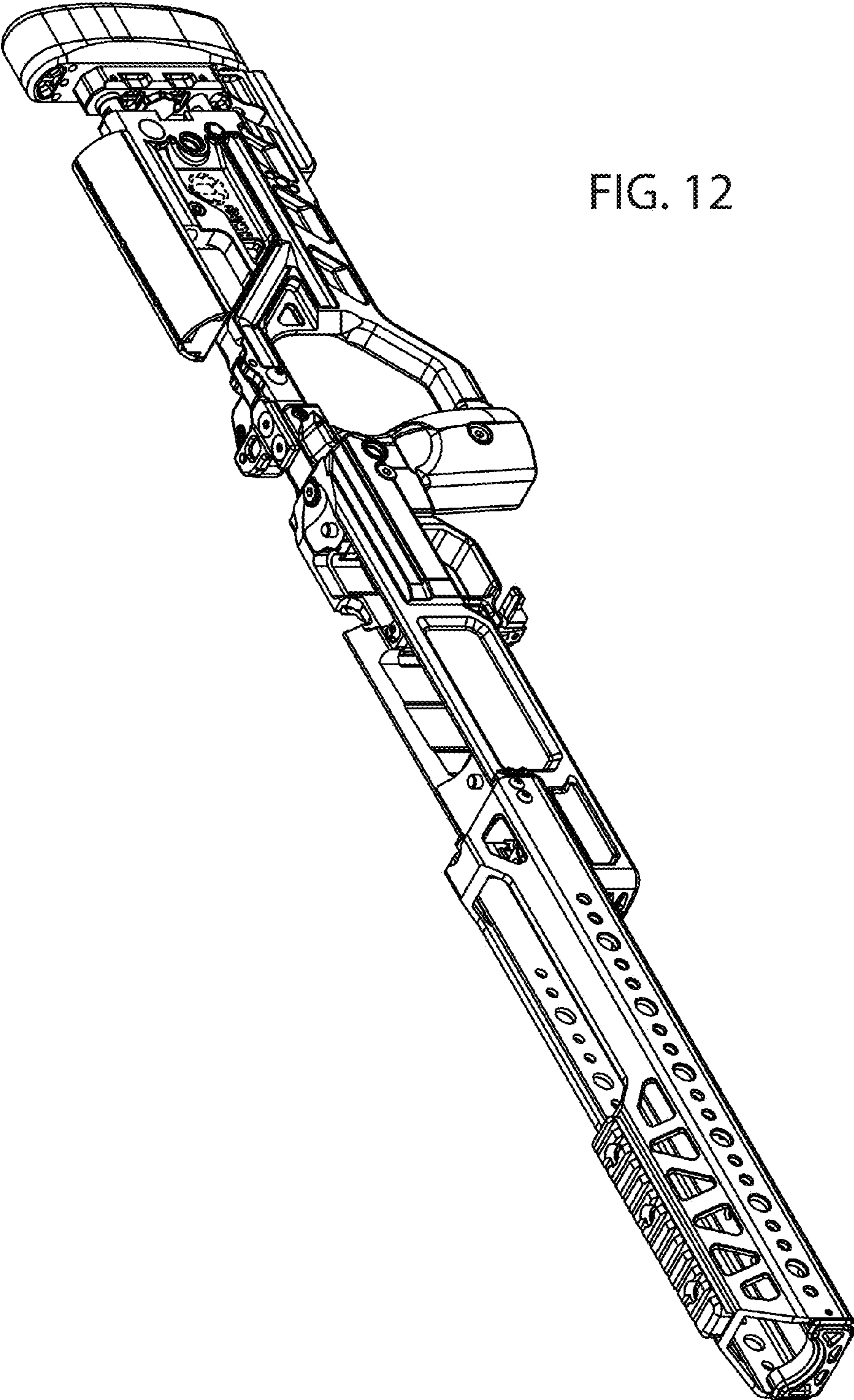
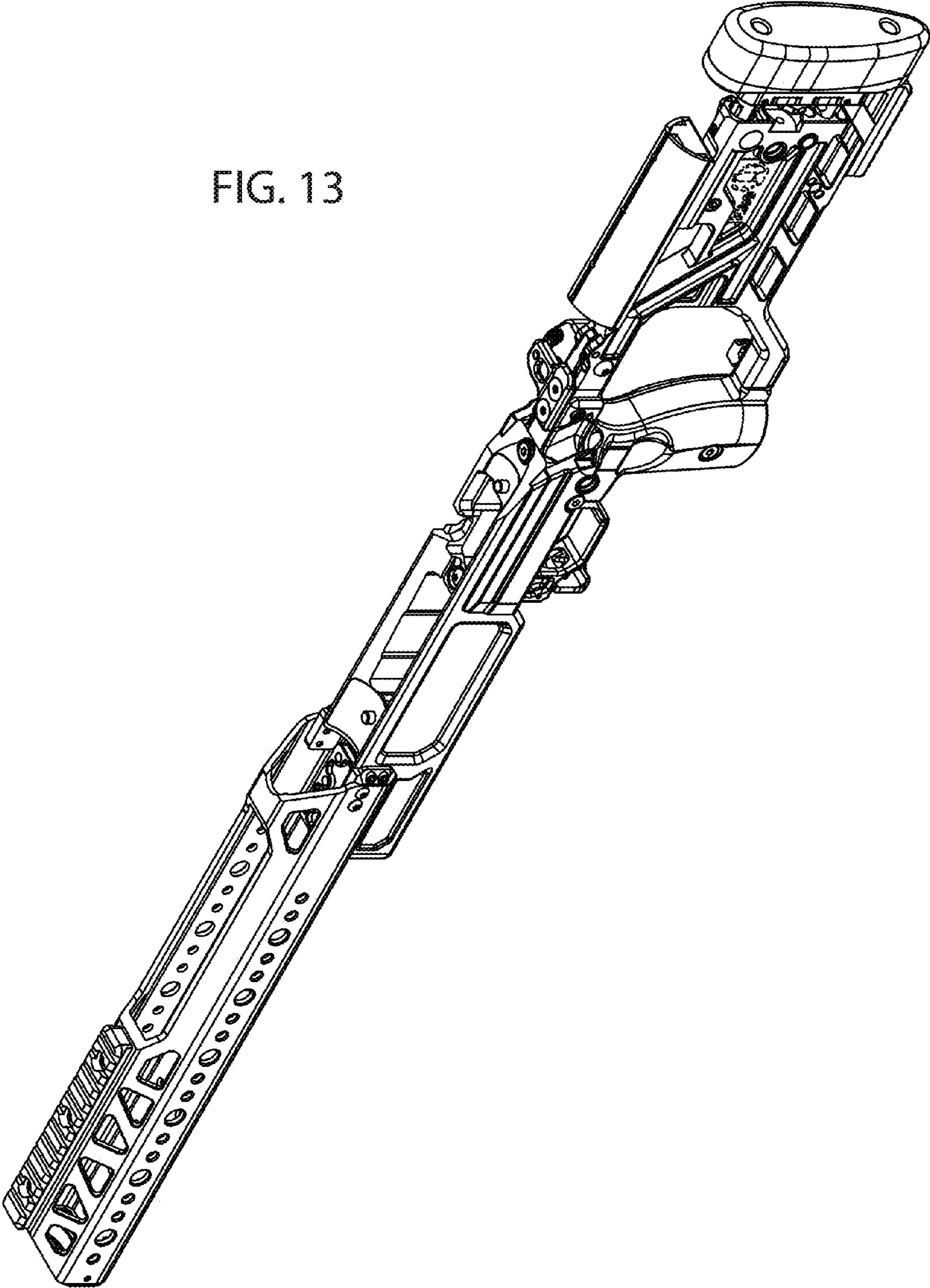


FIG. 12

FIG. 13



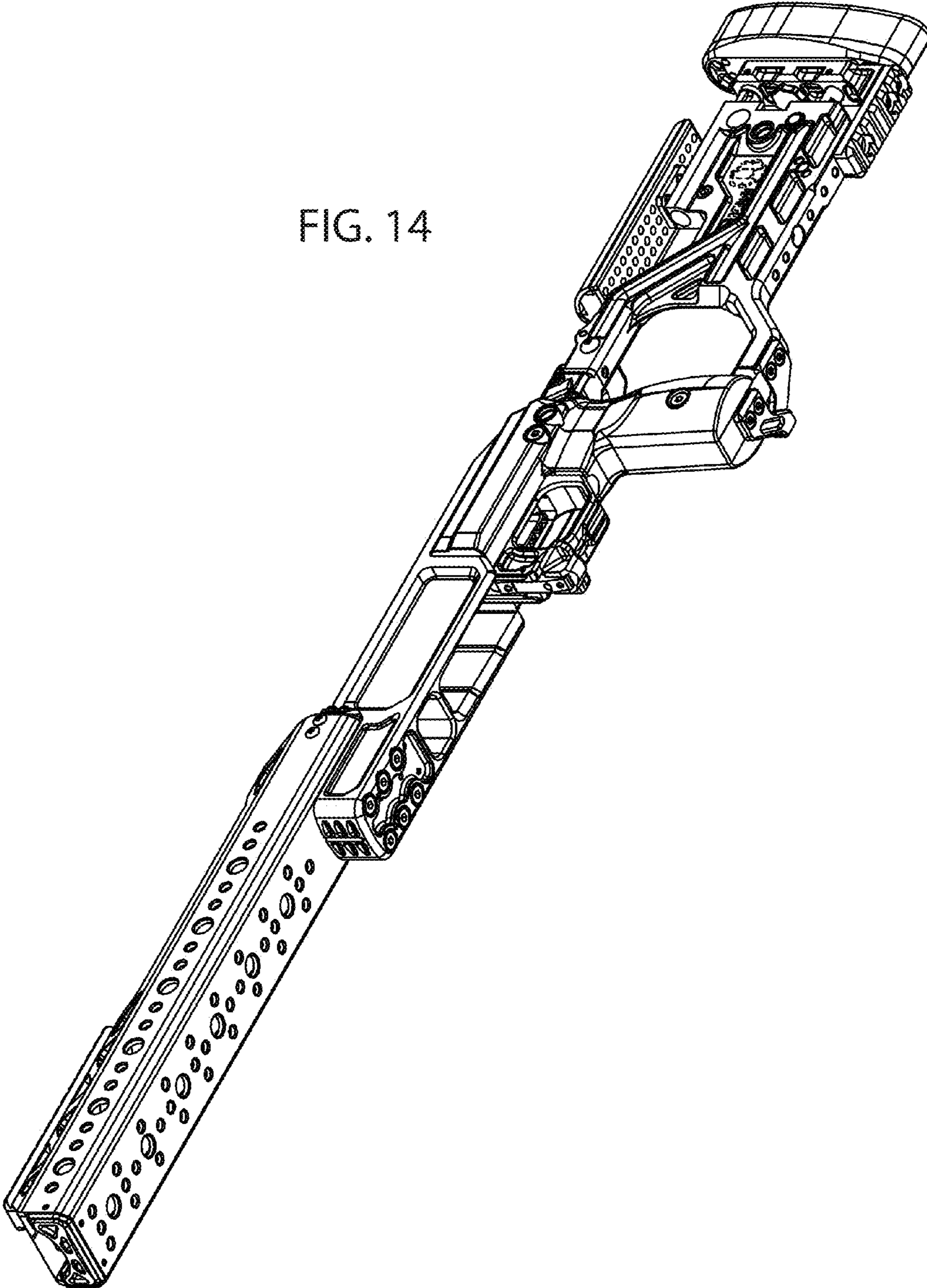
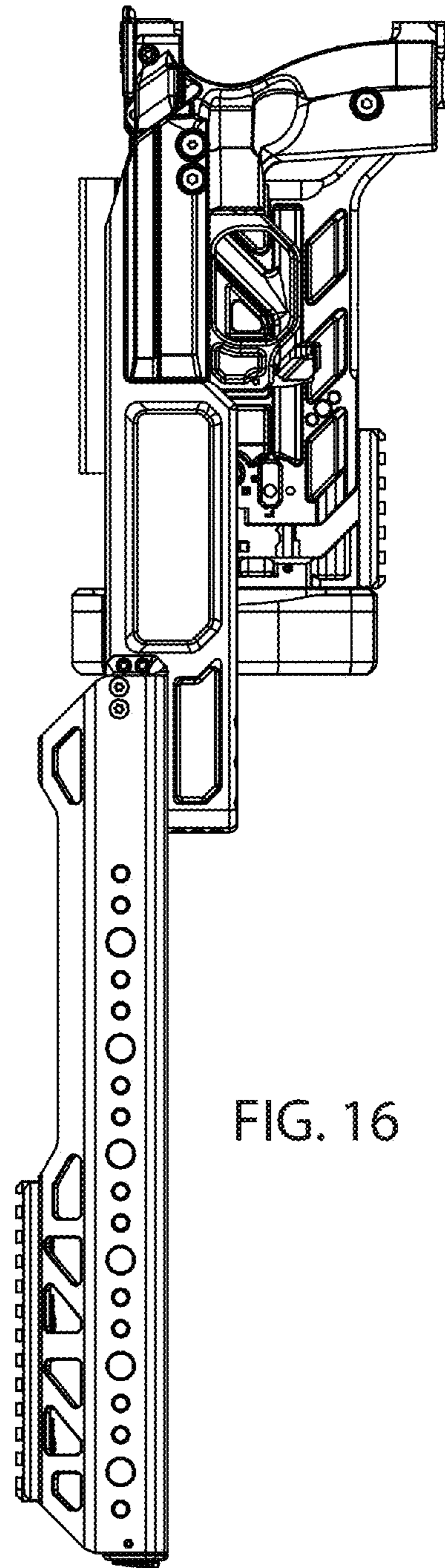
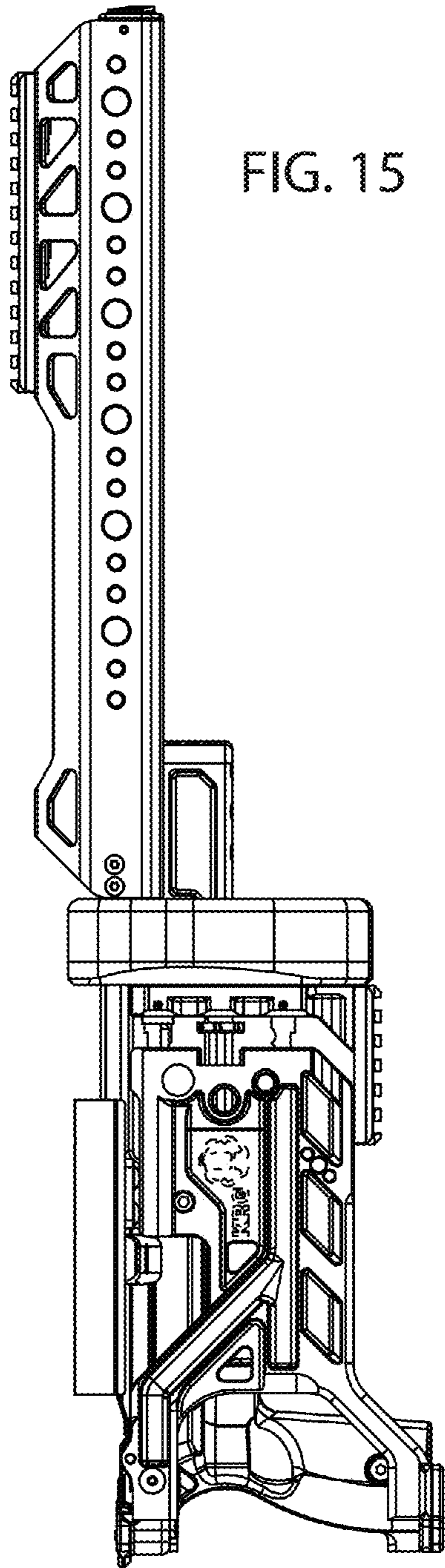


FIG. 14



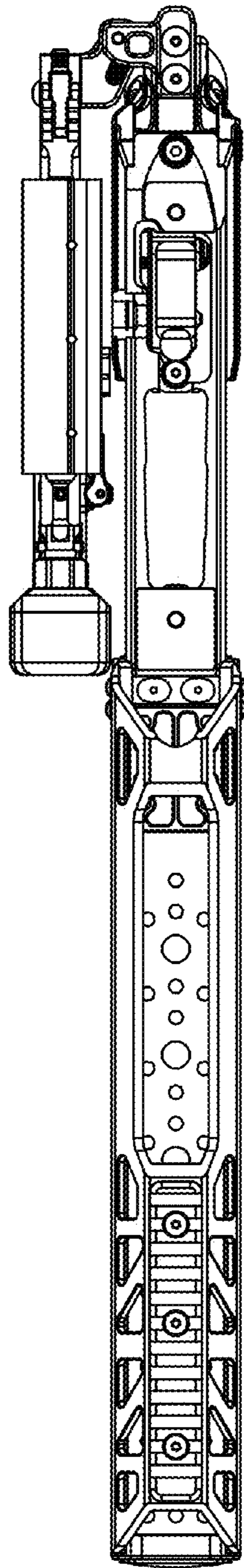


FIG. 17

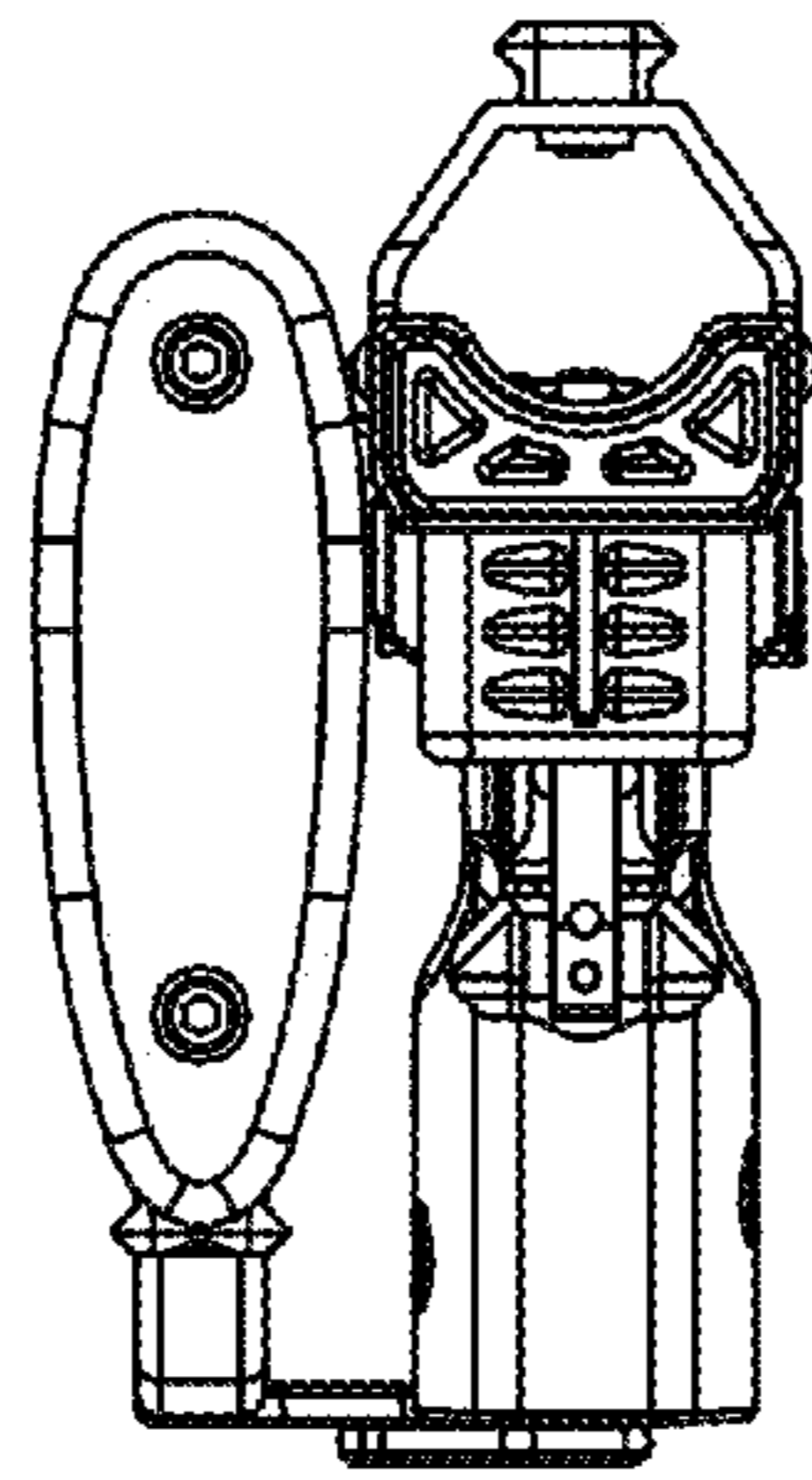


FIG. 19

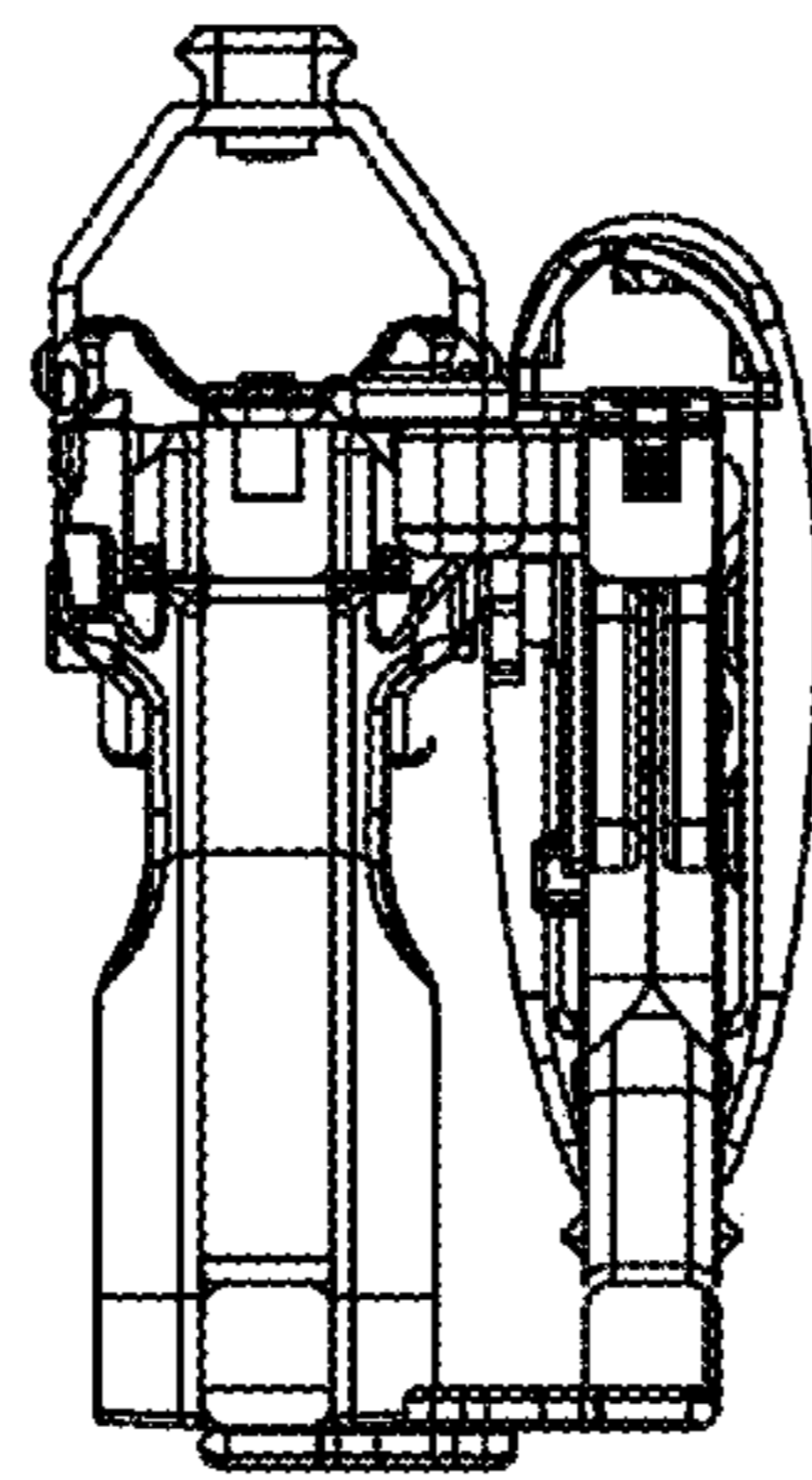


FIG. 20

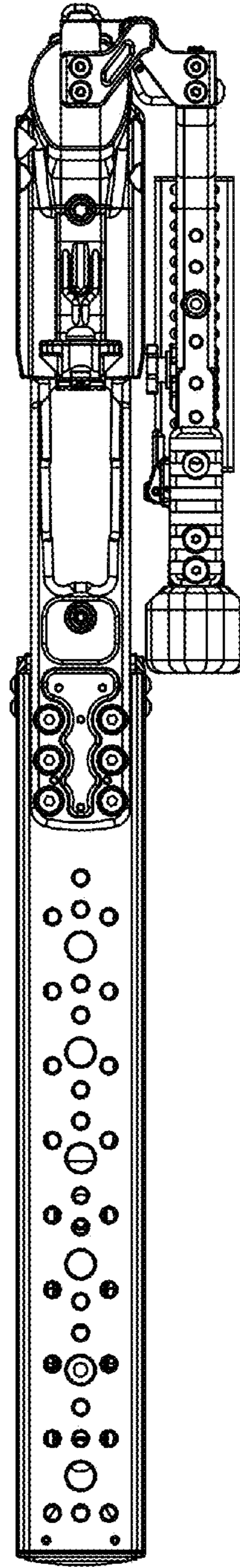


FIG. 18

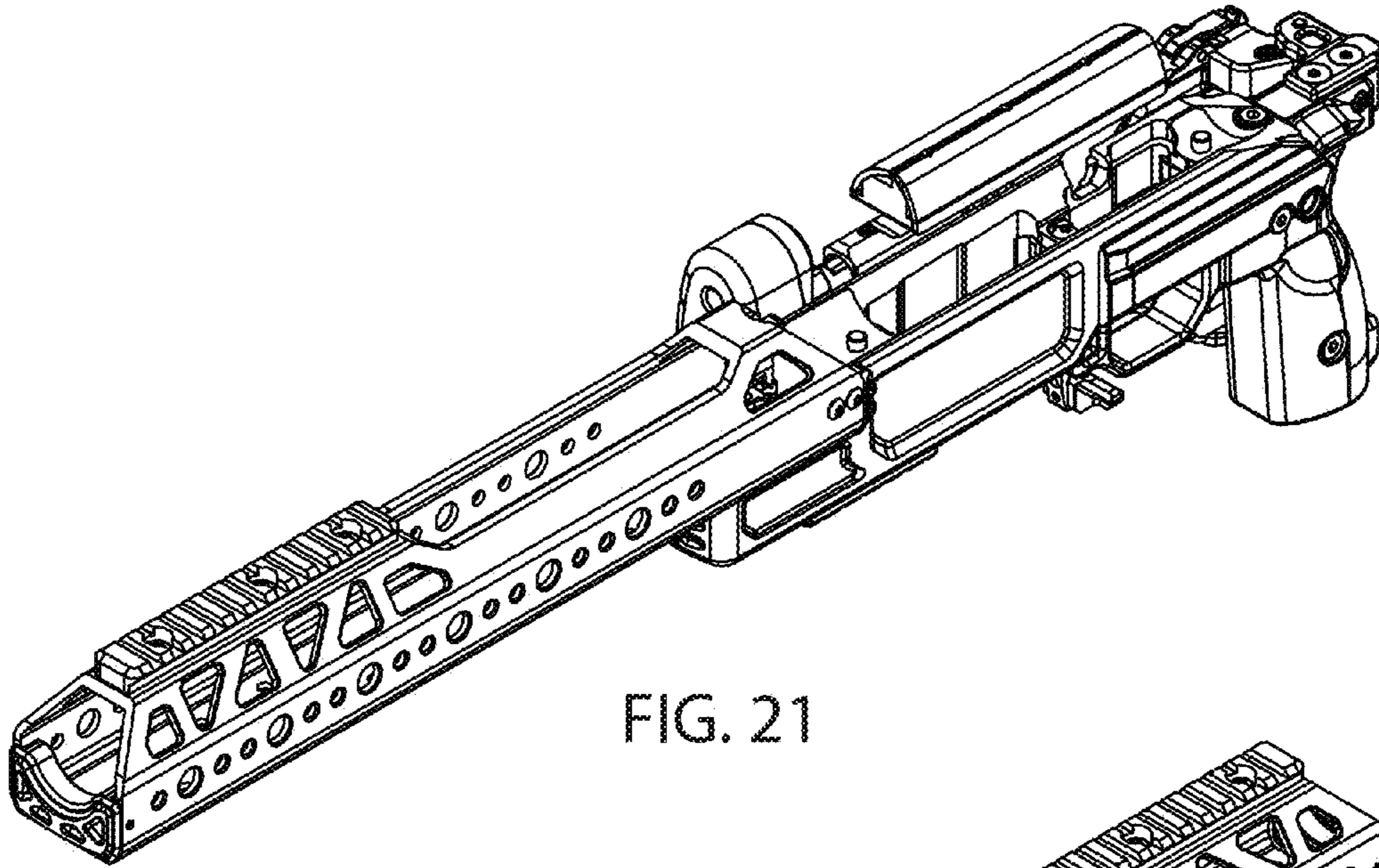


FIG. 21

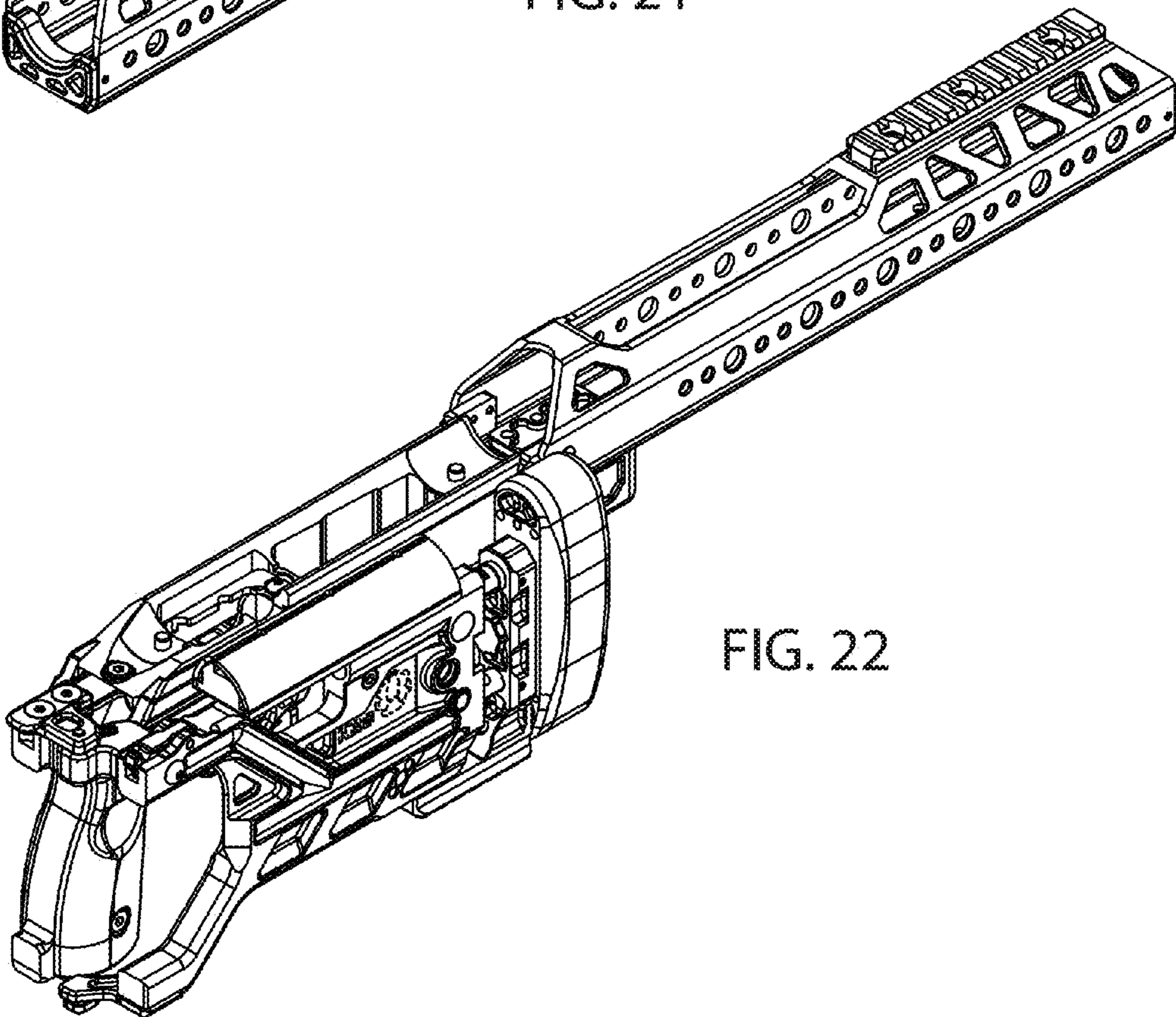


FIG. 22

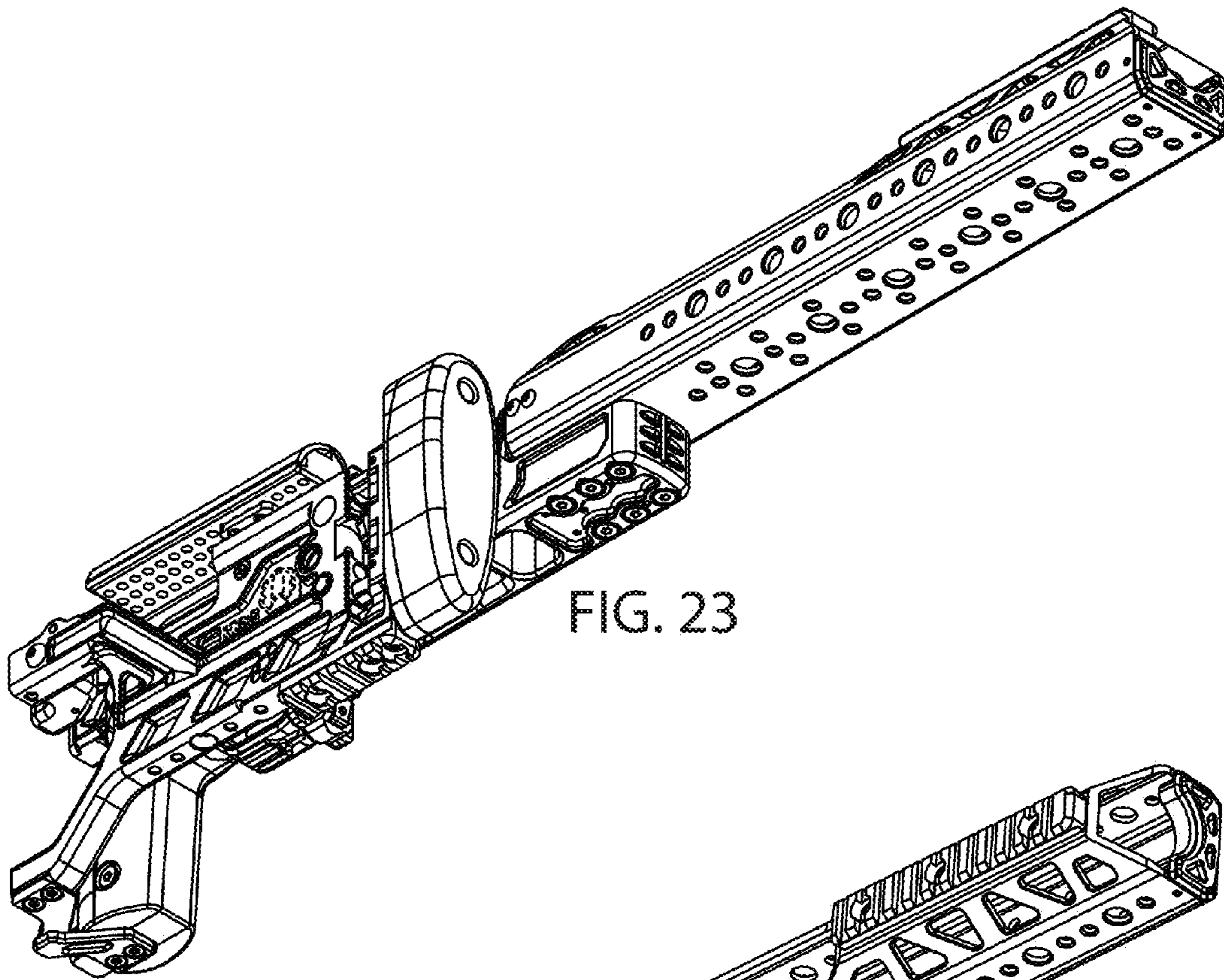


FIG. 23

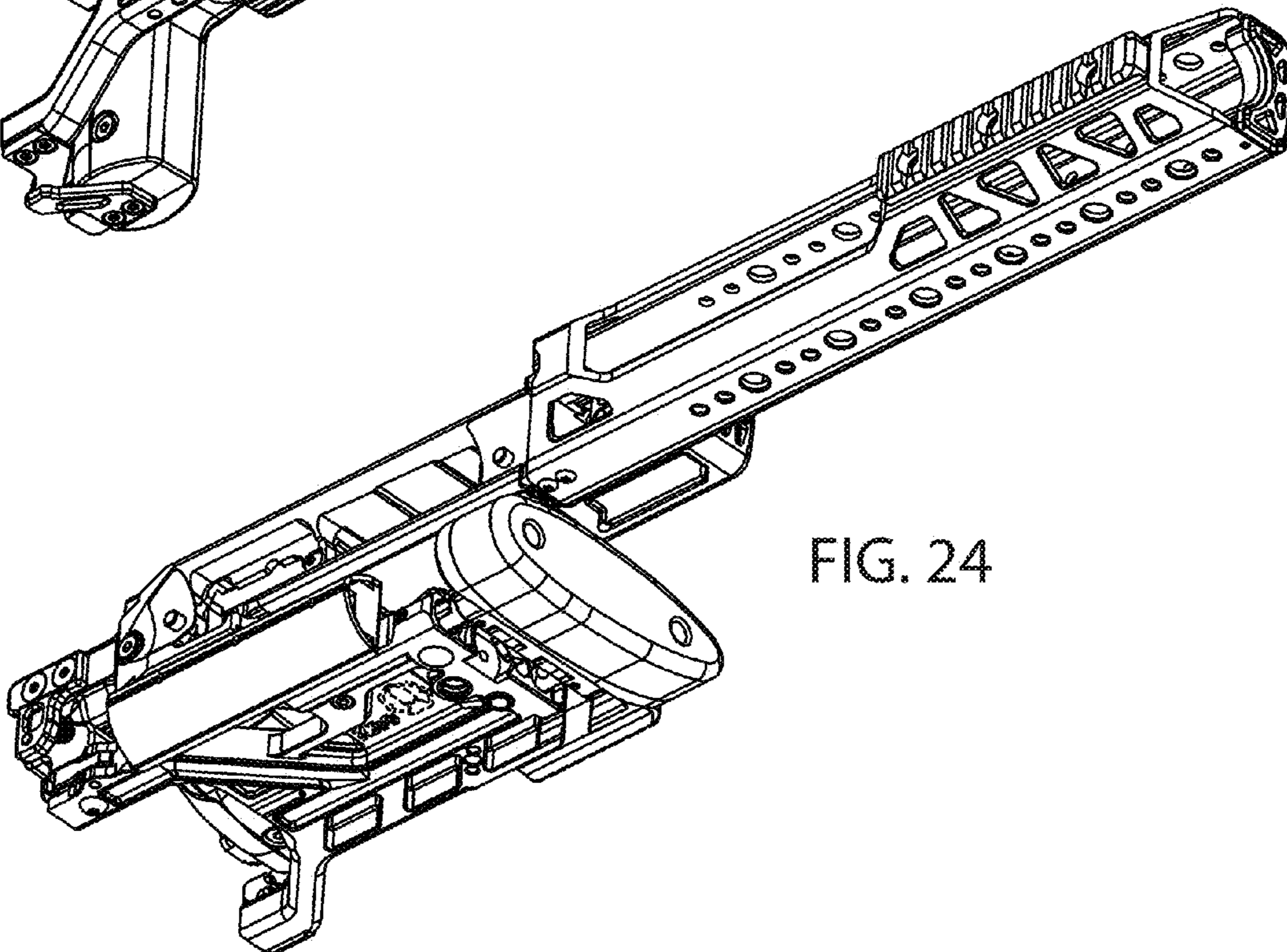


FIG. 24