



US00D763395S

(12) **United States Design Patent**
Joplin et al.

(10) **Patent No.:** **US D763,395 S**

(45) **Date of Patent:** **** Aug. 9, 2016**

(54) **RECOIL COMPENSATOR**

(71) Applicant: **Jered S. Joplin**, Jefferson, GA (US)

(72) Inventors: **Jered S. Joplin**, Jefferson, GA (US);
Jeffrey J. Harris, Jefferson, GA (US)

(**) Term: **14 Years**

(21) Appl. No.: **29/511,947**

(22) Filed: **Dec. 15, 2014**

(51) **LOC (10) Cl.** **22-01**

(52) **U.S. Cl.**
USPC **D22/108**

(58) **Field of Classification Search**
USPC D22/103, 108; D21/572-575
CPC F41A 21/34; F41A 21/325; F41A 21/32;
F41A 21/28

See application file for complete search history.

(56) **References Cited**

U.S. PATENT DOCUMENTS

- 2,124,075 A * 7/1938 Moore F41A 21/325
89/14.1
- 5,092,223 A * 3/1992 Hudson F41A 21/38
89/14.2
- D349,147 S * 7/1994 Gwinn, Jr. D22/108
- 5,596,161 A * 1/1997 Sommers F41A 21/34
89/14.2
- D542,877 S * 5/2007 Murello D22/100
- D577,409 S * 9/2008 Brittingham D22/108

- D605,724 S * 12/2009 Heath D22/108
- D666,687 S * 9/2012 Nierenberg D22/108
- 8,418,803 B2 * 4/2013 Findlay F41A 21/30
181/223
- D692,086 S * 10/2013 Nierenberg D22/108
- D694,355 S * 11/2013 Hormann D22/108
- D733,828 S * 7/2015 Larson, Jr. D22/108
- D747,429 S * 1/2016 Larson, Jr. D22/108
- 2005/0115394 A1 * 6/2005 Matthews F41A 21/325
89/14.4
- 2014/0231168 A1 * 8/2014 Dueck F41A 21/325
181/223

* cited by examiner

Primary Examiner — Michael A Pratt

(74) *Attorney, Agent, or Firm* — R. Tracy Crump

(57) **CLAIM**

We claim the ornamental design of a recoil compensator, as shown and described.

DESCRIPTION

FIG. 1 is a perspective view of the recoil compensator of this invention;

FIG. 2 is a right side view thereof;

FIG. 3 is a left side view thereof;

FIG. 4 is a top view thereof;

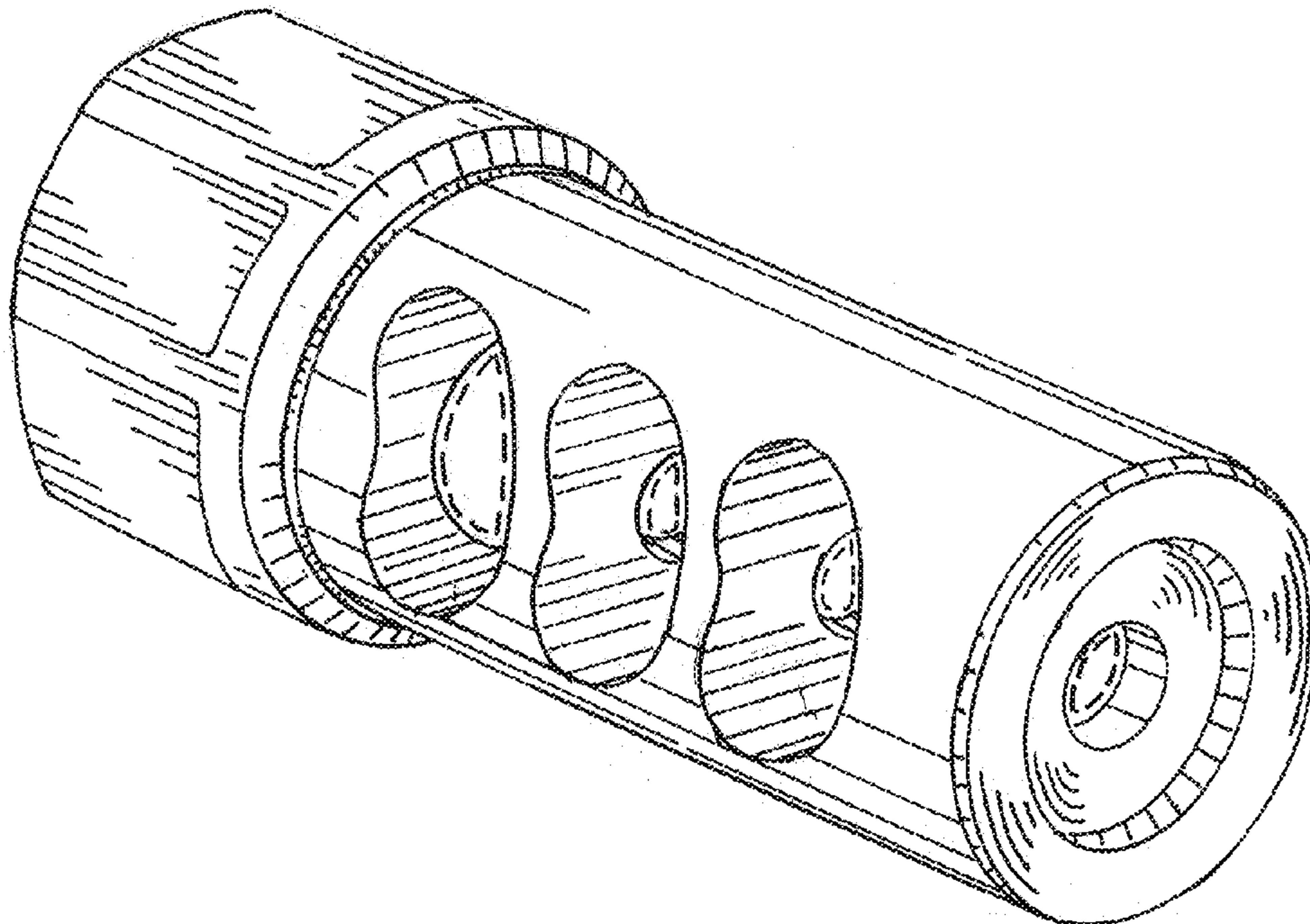
FIG. 5 is a bottom view thereof;

FIG. 6 is a front view thereof; and,

FIG. 7 is a rear view thereof.

The broken line are included for the purpose of illustrating environment and forms no part of the claimed design.

1 Claim, 4 Drawing Sheets



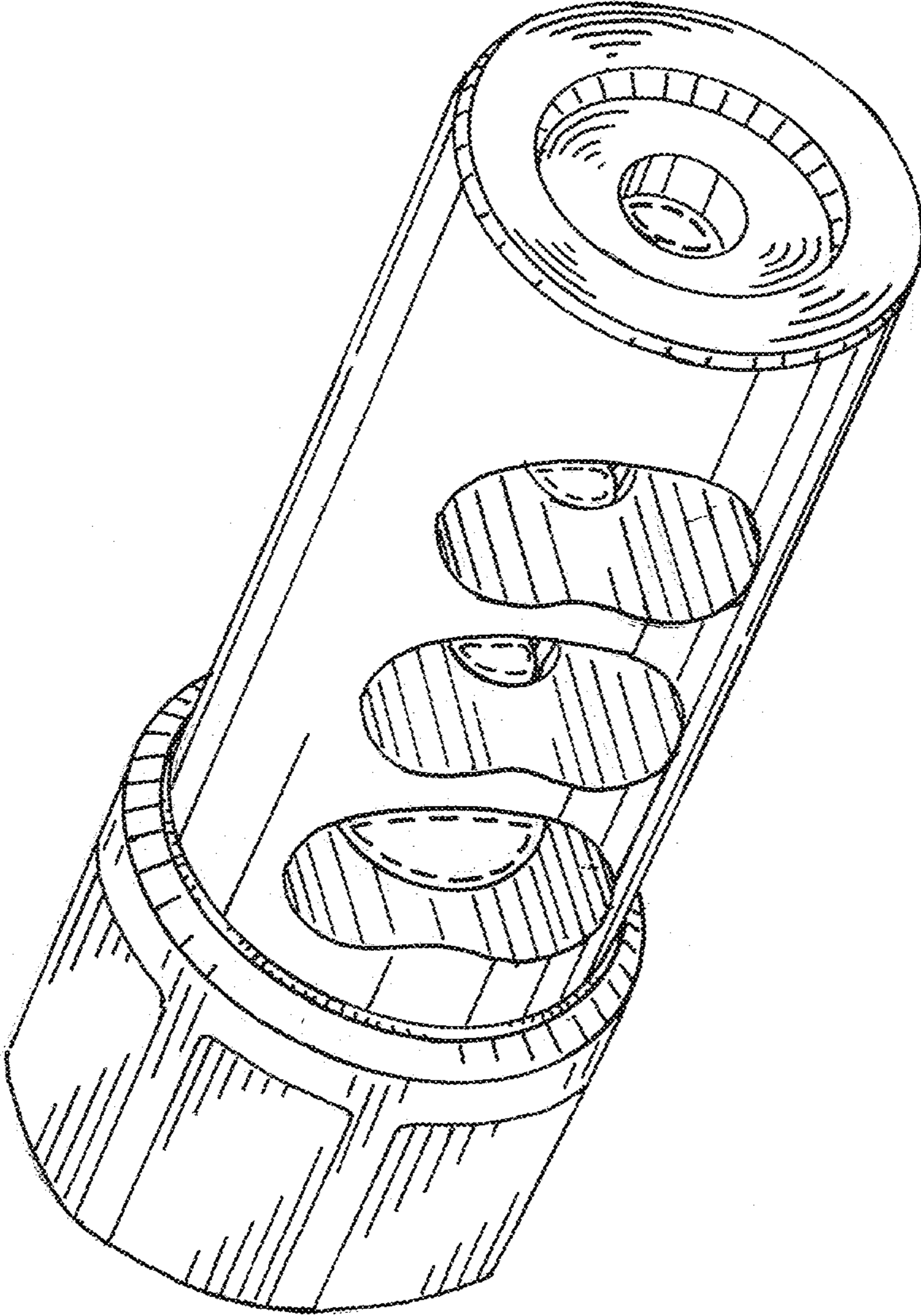


FIG. 1

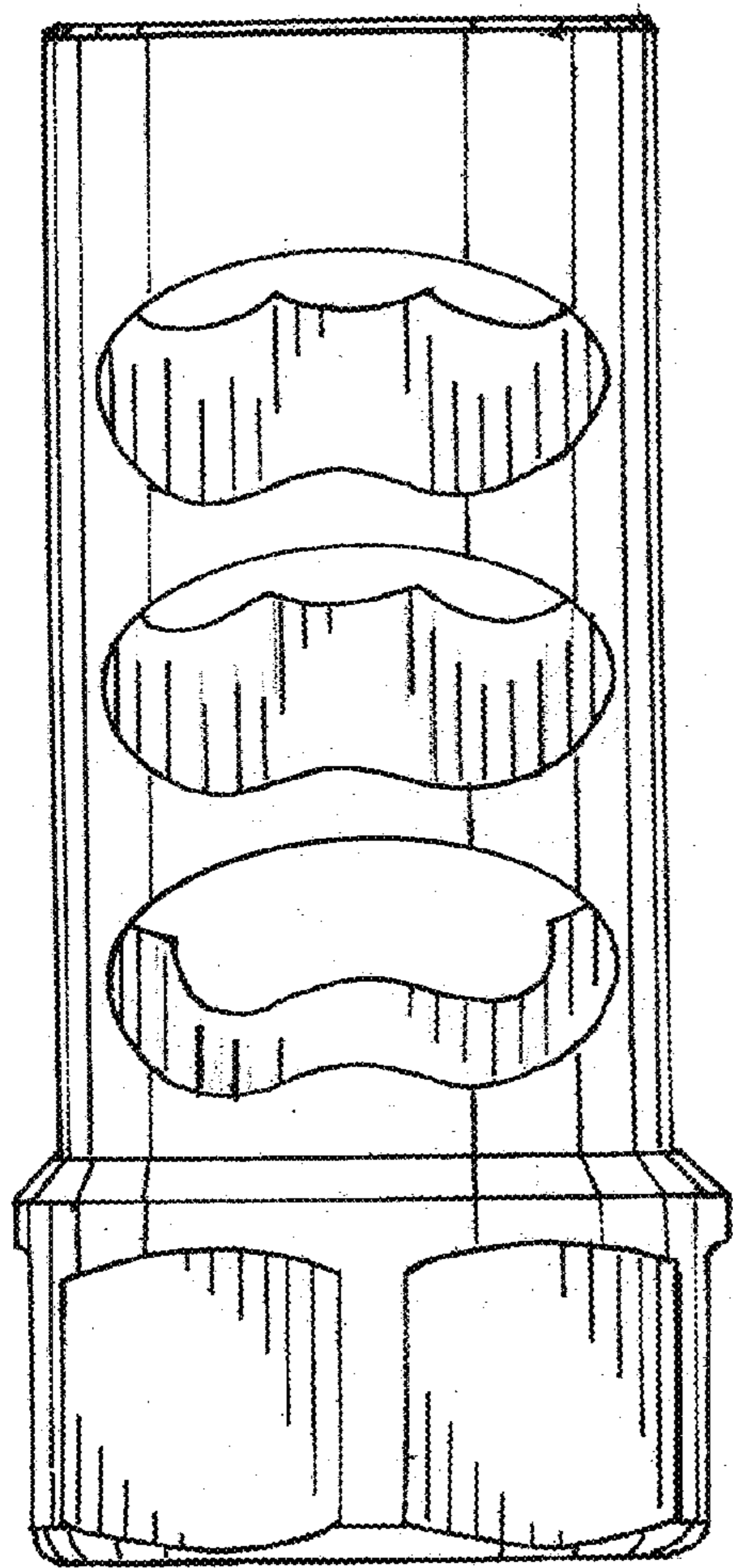


FIG. 2

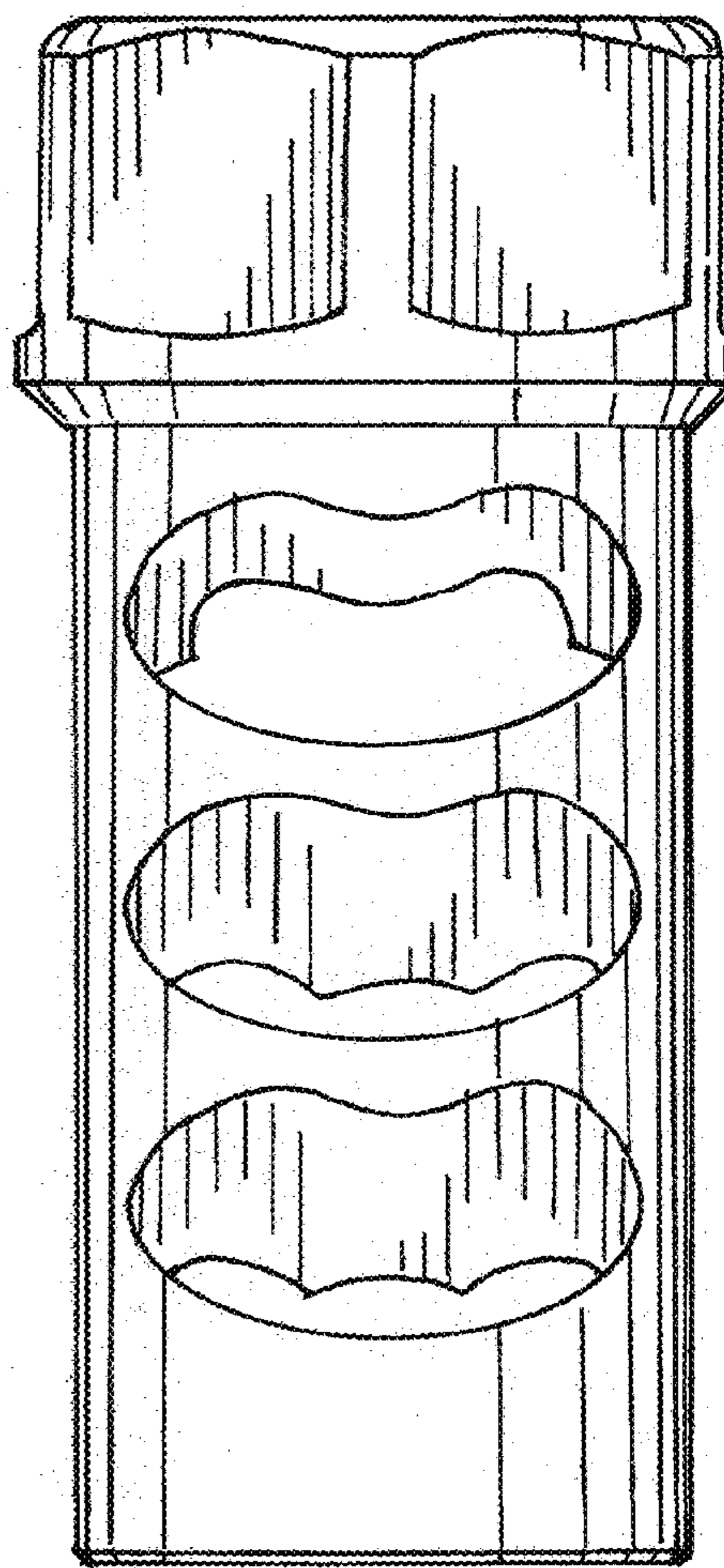


FIG. 3

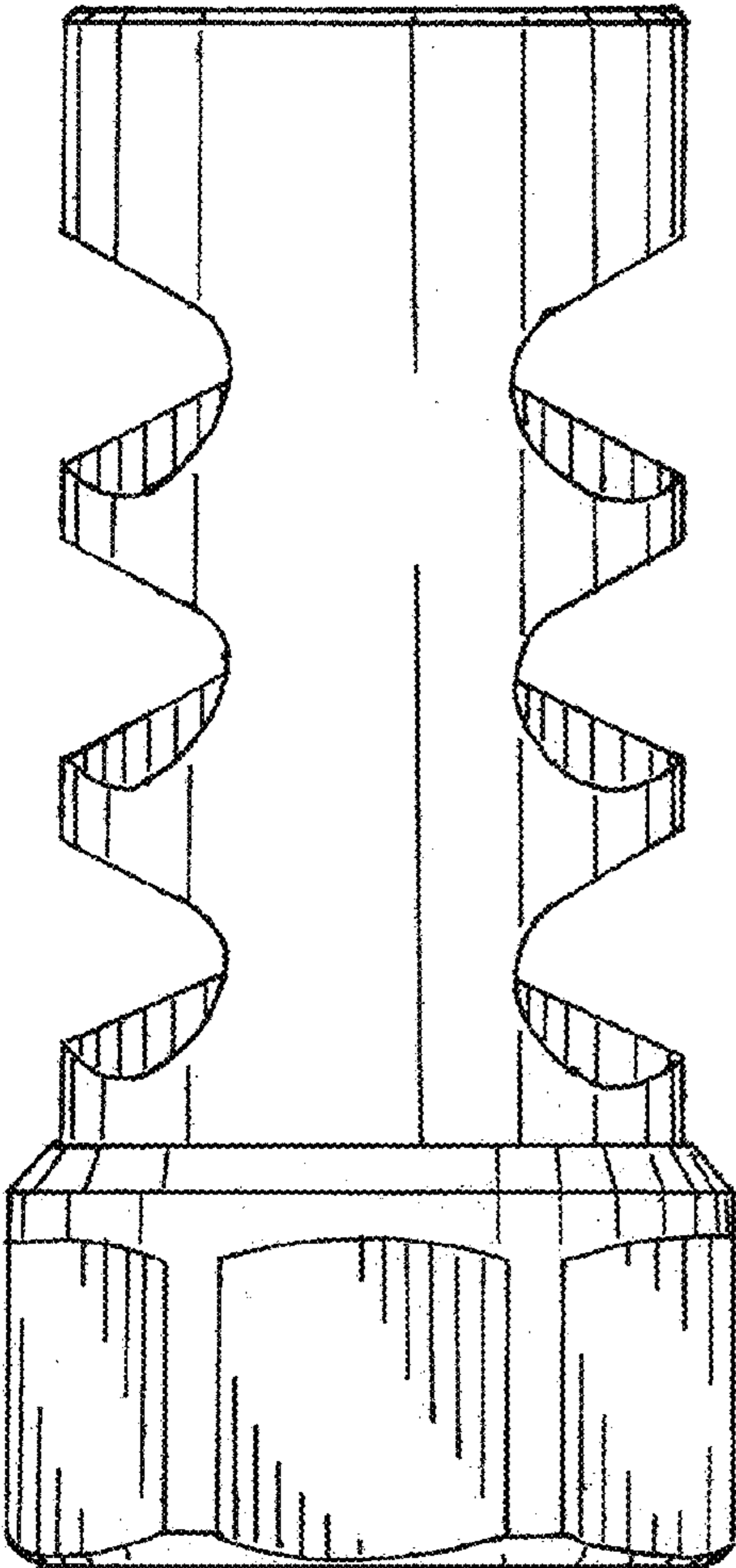


FIG. 4

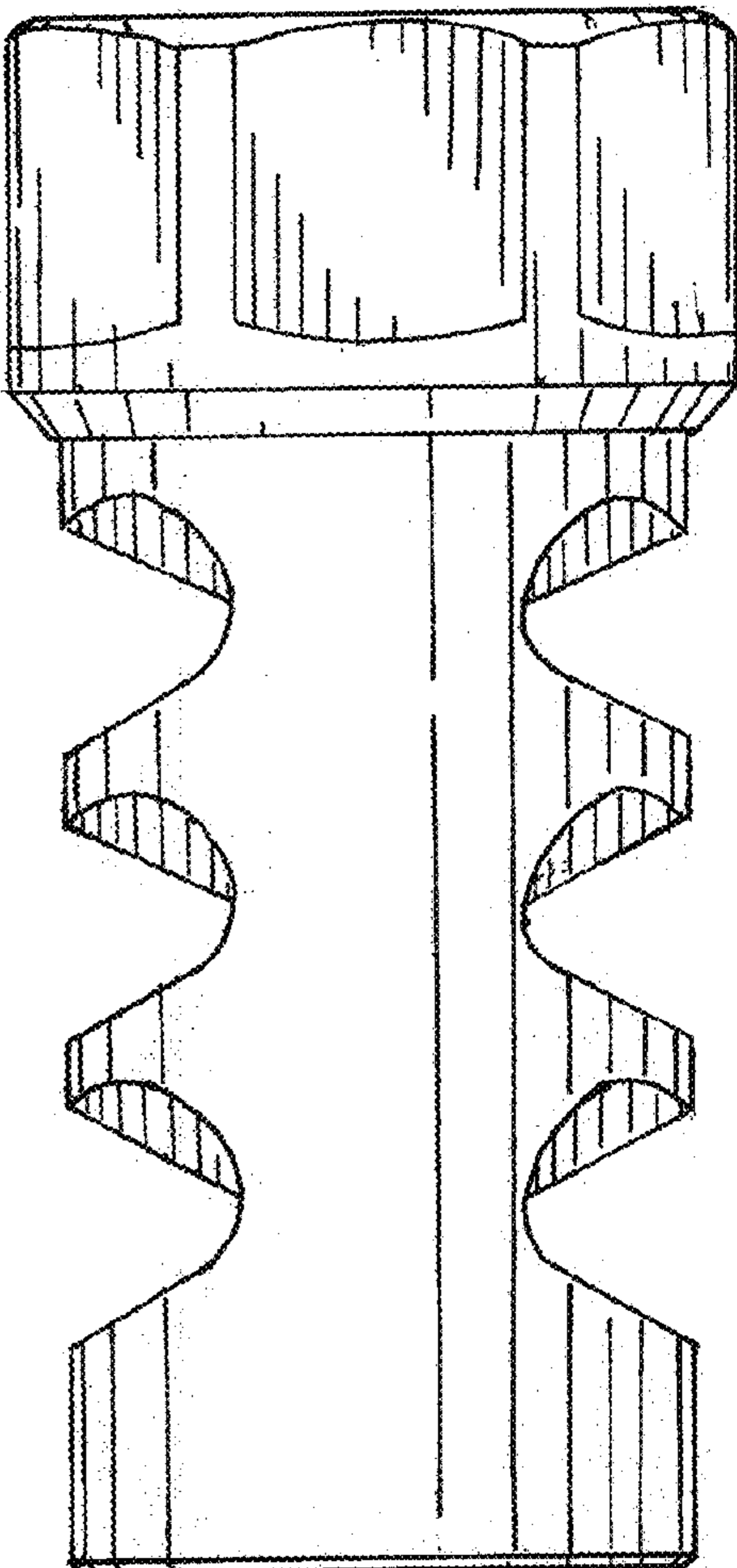


FIG. 5

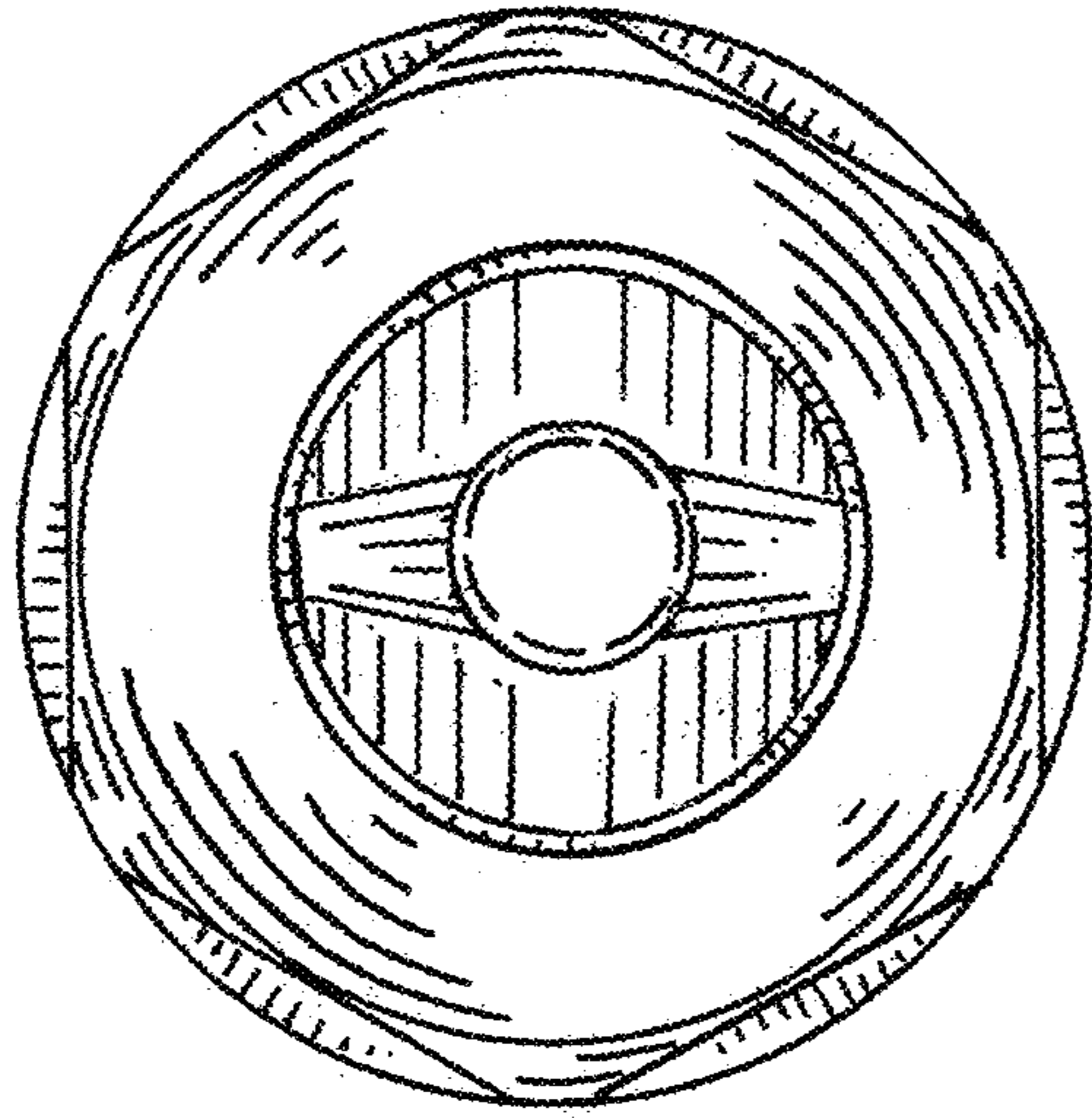


FIG. 7

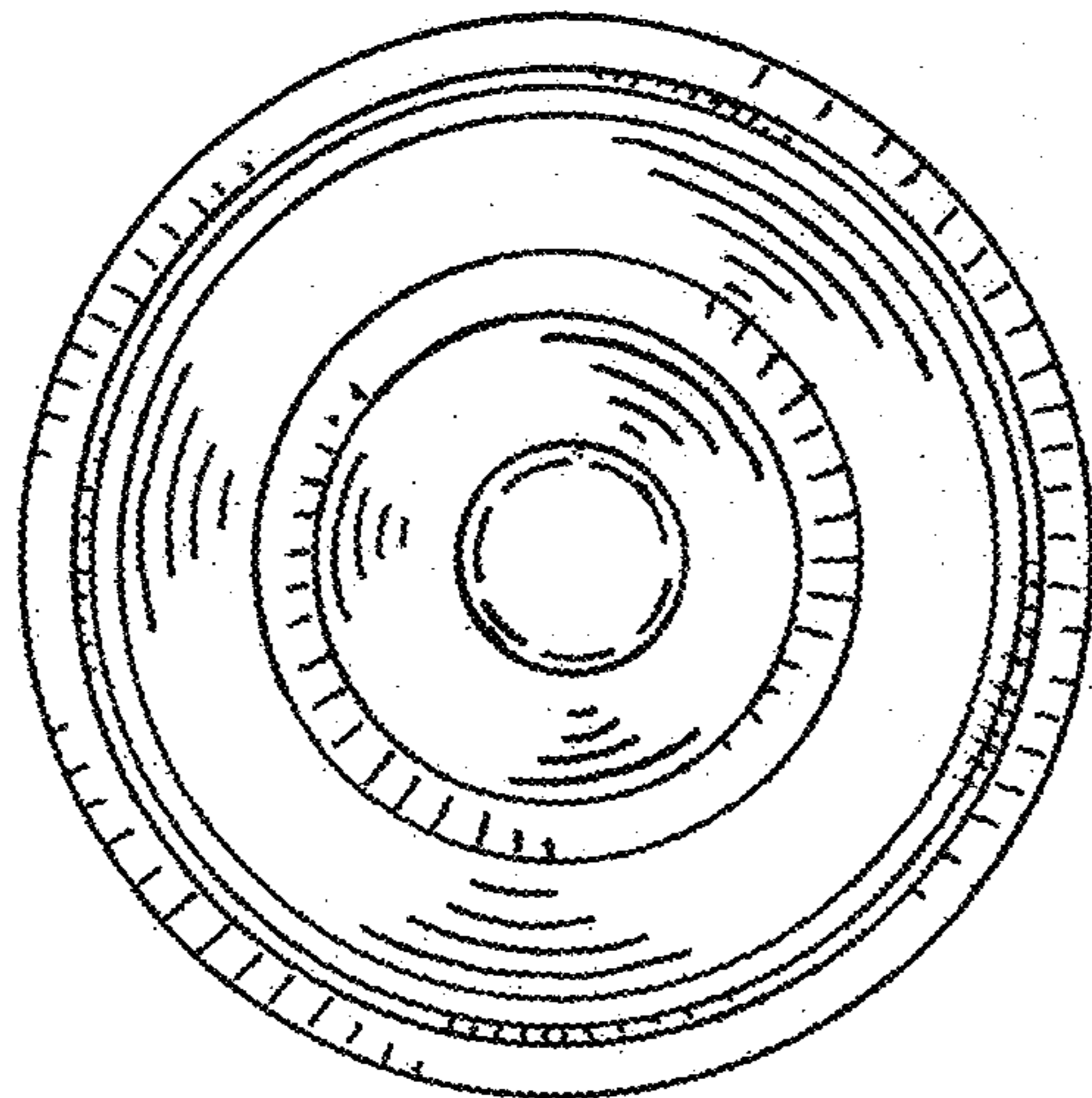


FIG. 6