



US00D763394S

(12) **United States Design Patent**
Mayberry et al.

(10) **Patent No.:** **US D763,394 S**
(45) **Date of Patent:** **** Aug. 9, 2016**

(54) **SLING ADAPTER**

(71) Applicant: **Magpul Industries Corporation**,
Louisville, CO (US)
(72) Inventors: **Michael T. Mayberry**, Denver, CO
(US); **Timothy Roberts**, Erie, CO (US)
(73) Assignee: **Magpul Industries Corporation**,
Louisville, CO (US)

(**) Term: **14 Years**

(21) Appl. No.: **29/511,742**

(22) Filed: **Dec. 12, 2014**

(51) **LOC (10) Cl.** **22-01**

(52) **U.S. Cl.**
USPC **D22/108**

(58) **Field of Classification Search**
USPC D22/108; D29/101.1, 101.2;
D3/214-215, 221, 262, 327-328;
D8/356
CPC F41C 33/002; F41C 33/001; F41C 33/006;
F41C 33/007; F41C 23/02; A45F 3/12;
A45F 2003/142

See application file for complete search history.

(56) **References Cited**

U.S. PATENT DOCUMENTS

2,723,430	A	11/1955	Paillard	
3,882,576	A *	5/1975	Kanno A45C 11/38 24/658
D429,791	S	8/2000	Bullock	
6,305,535	B1	10/2001	Fair	
6,598,330	B2 *	7/2003	Garrett F41C 23/02 224/150
D508,726	S	8/2005	Storch	
D612,895	S	3/2010	Stein	
D636,835	S	4/2011	Fitzpatrick et al.	
D636,836	S	4/2011	Fitzpatrick et al.	
D639,890	S	6/2011	Troy, Jr.	
D669,150	S	10/2012	Mayberry et al.	

(Continued)

OTHER PUBLICATIONS

Amazon_Noveske_Qd_Direct_Attach_Sling_Mount Amazon
Noveske Qd Direct Attach Sling Mount; Website [Online] Available
Website: <http://www.amazon.com/Noveske-Direct-Attach-Sling-Mount/dp/B009LLUU4U>; Last Update: Unknown; Accessed on:
Dec. 1, 2014.

(Continued)

Primary Examiner — Michael A Pratt

(74) *Attorney, Agent, or Firm* — Swanson & Bratschun,
L.L.C.

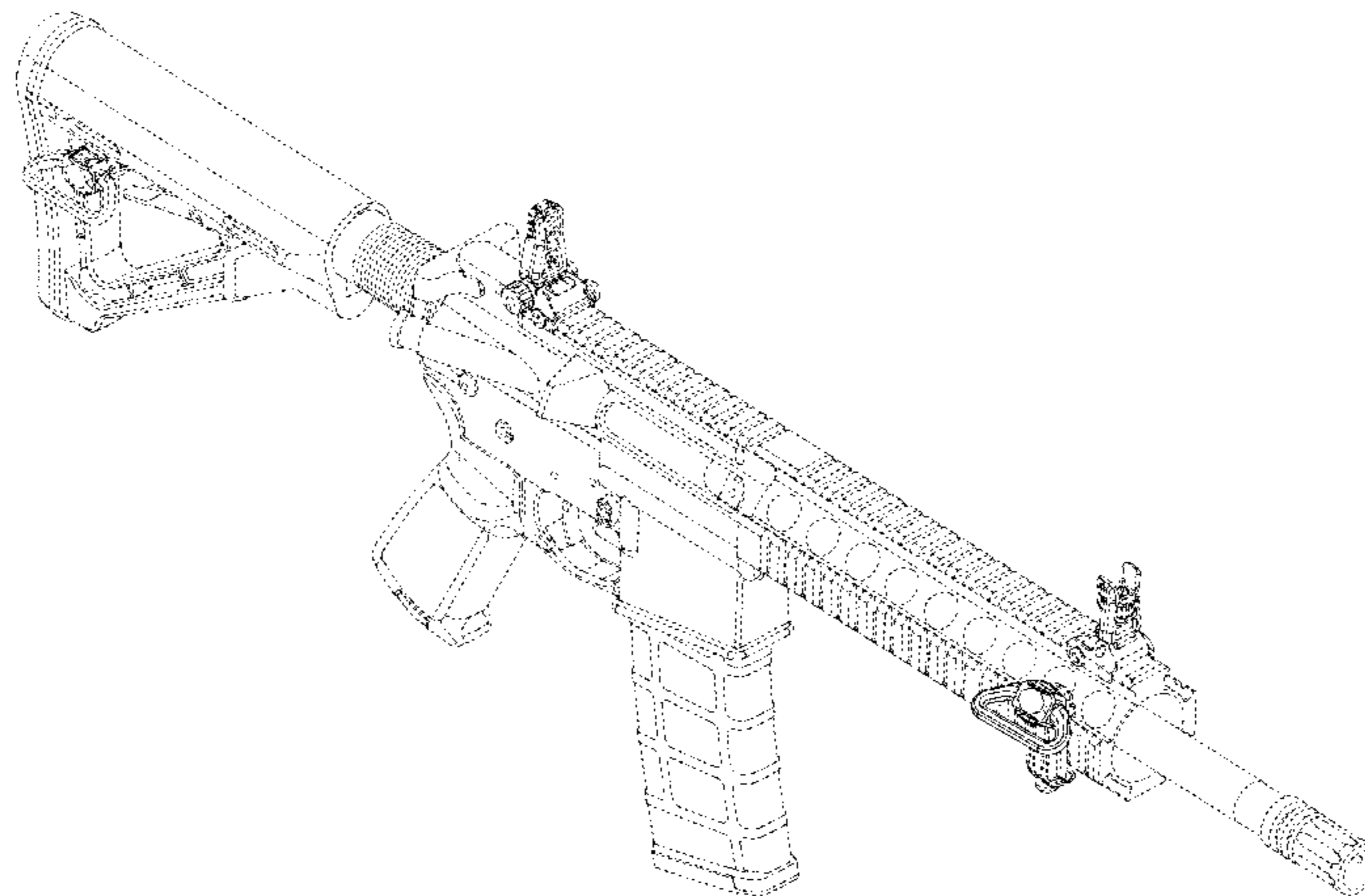
(57) **CLAIM**

The ornamental design for a sling adapter, as shown and
described.

DESCRIPTION

FIG. 1 is a top, front, right perspective view of a sling adapter
showing our new design attached to a firearm;
FIG. 2 is a top, front, right perspective view of the sling
adapter of FIG. 1, with the sling loop pivoted over the top of
the sling adapter body;
FIG. 3 is a top plan view of the sling adapter of FIG. 1, with
the sling loop pivoted over the top of the sling adapter body;
FIG. 4 is a front elevation view of the sling adapter of FIG. 1,
with the sling loop pivoted over the top of the sling adapter
body, the rear elevation view being a mirror image thereof;
FIG. 5 is a right side elevation view of the sling adapter of
FIG. 1, with the sling loop pivoted over the top of the sling
adapter body, left side elevation view being a mirror image
thereof; and,
FIG. 6 is a bottom plan view of the sling adapter of FIG. 1,
with the sling loop pivoted over the top of the sling adapter
body of FIG. 1.
The broken lines showing portions of the design in all figures
are included for the purpose of illustrating environment and
unclaimed features and form no part of the claimed design.

1 Claim, 4 Drawing Sheets



(56)

References Cited

U.S. PATENT DOCUMENTS

D698,405 S 1/2014 Kline
 D706,378 S 6/2014 Fitzpatrick et al.
 2009/0140019 A1 6/2009 Martinich
 2010/0287808 A1* 11/2010 King F41C 23/02
 42/85
 2013/0305582 A1* 11/2013 Mayberry F41C 33/006
 42/85

OTHER PUBLICATIONS

Amazon_Troy_Industries_QD_360_Push_Button_Rail_Mount_Swivel Amazon Troy Industries Q.D. 360 Push Button Rail Mount with Swivel; Website [Online] Available Website: http://www.amazon.com/Troy-Industries-Button-Mount-Swivel/dp/B001QAC0OC/ref=sr_1_12?ie=UTF8&qid=1414449525&sr=8-12&keywords=qd+slings+mounts; Last Update: Unknown; Accessed on: Dec. 2, 2014.

Battenfeld_2014_Delta_Series_AR-15_Upper_Vise_Block_Clamp Battenfeld Technologies Inc. (Jul. 2, 2014) Delta Series AR-15 Upper Vise Block Clamp; Website [Online] Available Website: <http://www.btibrands.com/product/delta-series-ar-15-upper-vise-block-clamp/>; Last Update: Unknown; Accessed on: Oct. 28, 2014.

Battenfeld_Delta_Series_AR-15_Mag_Well_Vise_Block Battenfeld Technologies Inc. Delta Series AR-15 Mag Well Vise Block; Website [Online] Available Website: <http://www.btibrands.com/product/delta-series-ar-15-mag-well-vise-block/>; Last Update: Unknown; Accessed on: Oct. 28, 2014.

Bravo Company USA Sling-Swivel-Mounts, Online Catalog (2010), <http://www.bravocompanyusa.com/Sling-Swivel-Mounts-s/63.htm>.

BravoCompanyUSA_2014_BCMGUNFIGHTER_KeyMod_Quick BravoCompanyUSA (Aug. 11, 2014) BCMGUNFIGHTER KeyMod™ Quick Detachable Sling Mount; Website [Online] Available Website: <http://www.bravocompanyusa.com/BCMGUNFIGHTER-KeyMod-Quick-Detachable-Sling-Mo-p/bcm-kmsm.htm>; Last Update: Unknown; Accessed on: Dec. 2, 2014.

BravoCompanyUSA_Daniel_Defense_Rail_Mount_QD_Swivel_Attachment BravoCompanyUSA Daniel Defense Rail Mount QD Swivel Attachment Point w/HD QD Sling Swivel (Rock & Lock); Website [Online] Available Website: <http://www.bravocompanyusa.com/Daniel-Defense-Rail-Mount-QD-Swivel-Attachment-Poi-p/dd-30029.htm>; Last Update: Unknown; Accessed on: Dec. 2, 2014.

Brownells_2012_MIDWEST_INDUSTRIES_INC_AR-15_CAR-15_QUICK_DETACH_SWIVEL Brownells (Dec. 6, 2012) Midwest Industries, Inc.—AR-15/CAR-15 Quick Detach Swivel; Website [Online] Available Website: <http://www.brownells.com/shooting-accessories/slings-sling-swivels/sling-loop-sets/ar-15-car-15-quick-detach-swivel-prod24866.aspx>; Last Update: Apr. 25, 2014; Accessed on: Jan. 26, 2015.

Brownells_2012_UNCLE_MIKES_QD_SWIVELS Brownells (Nov. 13, 2012) Uncle Mikes—Qd Swivels; Website [Online] Available Website: <http://www.brownells.com/shooting-accessories/slings-sling-swivels/rifle-swivel-sets/qd-swivels-prod27299.aspx>; Last Update: May 2, 2013; Accessed on: Jan. 26, 2015.

Carr_Lane_2006_Ball_Lock_Pins Carr Lane Manufacturing Co. (2006) Ball Lock Pins; Website [Online] Available Website: <http://www.carrlane.com/catalog/index.cfm/26825071F0B221118070C1C512D020609090C0015482013180B041D1E173C3B28535742>; Last update: Jul. 20, 2014; Accessed on: Dec. 2, 2014.

DSGArms_IWC_QD_Rotation_Limited_Sling_MOUNT_N_SLOT_for_Buttstock DSGArms IWC QD Rotation Limited Sling MOUNT-N-SLOT for Buttstock; Website [Online] Available Website: <https://dsgarms.com/iwcsqdrlbs>; Last Update: Unknown; Accessed on: Dec. 1, 2014.

GrovTee_GT_Swivels GrovTec US, Inc. GT Swivels; Website [Online] Available Website: <http://www.grovttec.com/catalog/29/gt-swivels/>; Last Update: Unknown; Accessed on: Jan. 26, 2015.

GrovTec_Manganese_Phosphate_Heavy_Duty_Push_Button_Swivels GrovTec US, Inc. Manganese Phosphate Heavy Duty Push Button Swivels; Website [Online] Available Website: <http://www.grovttec.com/catalog/gt-swivels/manganese-phosphate-heavy-duty-push-button-swivels-gtsw-288-200/>; Last update: Unknown; Accessed on: Dec. 2, 2014.

Impact_Weapons_Components_2011_QD_Micro_Flush_QD_Sling_Mount Impact Weapons Components (Sep. 14, 2011) QD Micro Flush QD Sling Mount; Website [Online] Available Website: <http://www.impactweaponscomponents.com/product/qd-micro-mount/>; Last Update: Sep. 28, 2014; Accessed on: Dec. 1, 2014.

Lancer_Systems_2012_AWM_Magazine Lancer Systems (2012) L5 AWM Magazine; Website [Online] Available Web Site: http://www.lancer-systems.com/L5_AWM.html; Last Update: Unknown; Accessed on: May 4, 2012.

M4Carbine_Midwest_Industries_M_LOK_QD_Sling_Socket M4Carbine Midwest Industries M-LOK QD Sling Socket; Website [Online] Available Website: <http://www.m4carbine.net/showthread.php?158561-Midwest-Industries-M-LOK-QD-Sling-Socket>; Last Update: Unknown; Accessed on: Dec. 1, 2014.

Magpul_RVG_Rail_Vertical_Grip Magpul Industries Corporation RVG®—Rail Vertical Grip; Website [Online] Available Website: <http://store.magpul.com/product/MAG412/rails>; Last Update: Unknown; Accessed on: Sep. 17, 2014.

Mako_Group_Tactical_Pivoting_QR_Vertical_Foregrip Mako Group Tactical Pivoting QR Vertical Foregrip with Integrated Adjustable Bipod—Gen 2; Website [Online] Available Website: <http://www.themakogroup.com/Detail.aspx?PROD=1042875>; Last Update: Unknown; Accessed on: Sep. 18, 2014.

McMaster_1996_Quick_Disconnect_Hose_Couplings McMaster_Carr (Nov. 10, 1996) Quick Disconnect Hose Couplings; Website [Online] Available Website: <http://www.mcmaster.com/#standard-quick-disconnect-hose-couplings/=vkdxbm>; Last Update: Jan. 15, 2015; Accessed on: Jan. 15, 2015.

MidwayUSA_ERGO_Picatiny_Rail_Sling_Mount MidwayUSA ERGO Picatinny Rail Sling Mount Fixed HK Loop Aluminum Matte; Website [Online] Available Website: <http://www.midwayusa.com/product/565658/ergo-picatinny-rail-sling-mount-fixed-hk-loop-aluminum-matte>; Last Update: Unknown; Accessed on Dec. 2, 2014.

Noveske_2014_Flush_QD_Sling_Mount Noveske (Jul. 12, 2014) Flush QD Sling Mount; Website [Online] Available Website: <http://www.shopnoveske.com/products/flush-qd-sling-mount>; Last Update: Unknown; Accessed on: Dec. 1, 2014.

PrimaryArmscom_Gear_Sector_Rail_Mount PrimaryArms.com Gear Sector Rail Mount QD Swivel Black GS-3050; Website [Online] Available Website: https://www.primaryarms.com/Gear_Sector_Rail_Mount_QD_Swivel_Black_p/gs-3050.htm; Last Update: Unknown; Accessed on: Dec. 2, 2014.

RainierArms_BCM_GUNFIGHTER_KeyMod_QD_Sling_Mount Rainier Arms BCM GUNFIGHTER KeyMod QD Sling Mount; Website [Online] Available Website: <http://www.rainierarms.com/bcm-gunfighter-keymod-qd-sling-mount>; Last Update: Unknown; Accessed on: Jan. 15, 2015.

RainierArms_Fortis_KeyMod_QD_Sling_Mount_Black Rainier Arms Fortis KeyMod QD Sling Mount Black; Website [Online] Available Website: <http://www.rainierarms.com/fortis-keymod-qd-sling-mount-black>; Last Update: Unknown; Accessed on: Jan. 15, 2015.

RainierArms_Fortis_Rail_Attachment_Point Rainier Arms Fortis Rail Attachment Point; Website [Online] Available Website: <http://www.rainierarms.com/fortis-rail-attachment-point>; Last Update: Unknown; Accessed on: Jan. 15, 2015.

RainierArms_Gear_Sector_Rail_Mount_QD_Socket_Foliage_Green Rainier Arms Gear Sector Rail Mount QD Socket: Foliage Green; Website [Online] Available Website: <http://www.rainierarms.com/gear-sector-rail-mount-qd-socket-foliage-green>; Last Update: Unknown; Accessed on: Jan. 15, 2015.

RainierArms_MI_Sling_Mount_for_Tactical_Rail Rainier Arms MI Sling Mount for Tactical Rails w/ Quick Detach Swivel; Website [Online] Available Website: <http://www.rainierarms.com/>

(56)

References Cited

OTHER PUBLICATIONS

mi-sling-mount-for-tactical-rails-w-quick-detach-swivel; Last Update: Unknown; Accessed on: Jan. 15, 2015.
 RainierArms_Noveske_QD_Flush_Mount Rainier Arms Noveske QD Flush Mount; Website [Online] Available Website: <http://www.rainierarms.com/noveske-qd-flush-mount-6025>; Last Update: Unknown; Accessed on: Jan. 15, 2015.
 RainierArms_Viking_Tactics_Low_Profile_Sling_Mount Rainier Arms Viking Tactics Low Profile Sling Mount; Website [Online] Available Website: <http://www.rainierarms.com/viking-tactics-low-profile-sling-mount>; Last Update: Unknown; Accessed on: Jan. 15, 2015.
 RainierArms_Viking_Tactics_Rail_Less_Sling_Swivel_Mount Rainier Arms Viking Tactics Rail-Less Sling Swivel Mount; Website [Online] Available Website: <http://www.rainierarms.com/viking-tactics-rail-less-sling-swivel-mount>; Last Update: Unknown; Accessed on: Jan. 15, 2015.
 SureFire_2012_M900V_Vertical_Foregrip_LED_WeaponLight SureFire.com (Jul. 2, 2012) M900V Vertical Foregrip LED WeaponLight—White and IR Output; Website [Online] Available Website: <http://www.surefire.com/m900v.html>; Last Update: Oct. 4, 2013; Accessed on: Sep. 18, 2014.
 The_Firearm_Blog_2013_Ultra_Low_Profile_Picatinny_Sling_Attachment_Prototype TheFirearmBlog.com (Oct. 27, 2013)

Ultra Low Profile Picatinny Sling Attachment Prototype; Website [Online] Available Website: <http://www.thefirearmblog.com/blog/2013/10/21/ultra-profile-picatinny-sling-attachment-prototype/>; Last Update: Dec. 29, 2013; Accessed on: Dec. 16, 2014.
 Trading_Place_Pawn_Geissele_ALG_DEFENSE-FORGED_QD_SLING_SWIVEL Trading Place Geissele ALG Defense—Forged QD Sling Swivel; Website [Online] Available Website: <http://tradingplacepawn.com/shop-online/geissele-alg-defense-forged-qd-sling-swivel.html>; Last Update: Unknown; Accessed on: Jan. 25, 2015.
 Design U.S. Appl. No. 29/354,003, “Rail-Mounted Sling Adapter” filed Jan. 18, 2010 (Issued).
 Design U.S. Appl. No. 29/353,999, “Ring for Securing a Sling” filed Jan. 18, 2010 (Issued).
 Design U.S. Appl. No. 29/399,459, “Sling Adapter” filed Aug. 15, 2011 (Issued).
 Design U.S. Appl. No. 29/477,461, “Snap Hook Interface for a Firearm” filed Dec. 23, 2013 (Issued).
 Design U.S. Appl. No. 29/503,184, “Snap Hook Attachment for a Firearm” filed Sep. 24, 2014.
 Wilson_Combat_Slingmounts_Online_2010 Wilson Combat Picatinny Rail Sling Mounts, Online Catalog (2010), http://www.wilsoncombat.com/r_pr_slingmounts.asp.

* cited by examiner

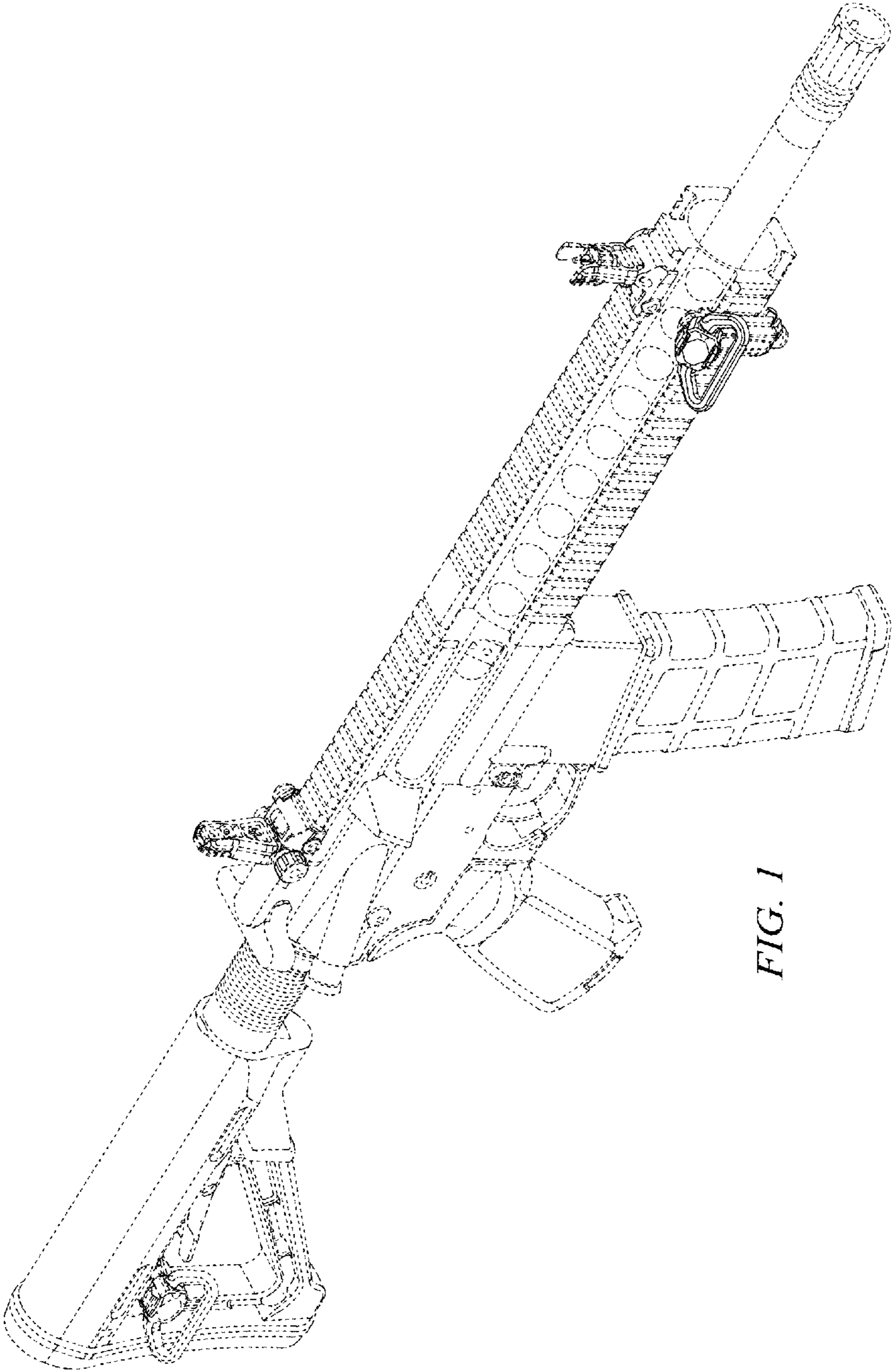


FIG. 1

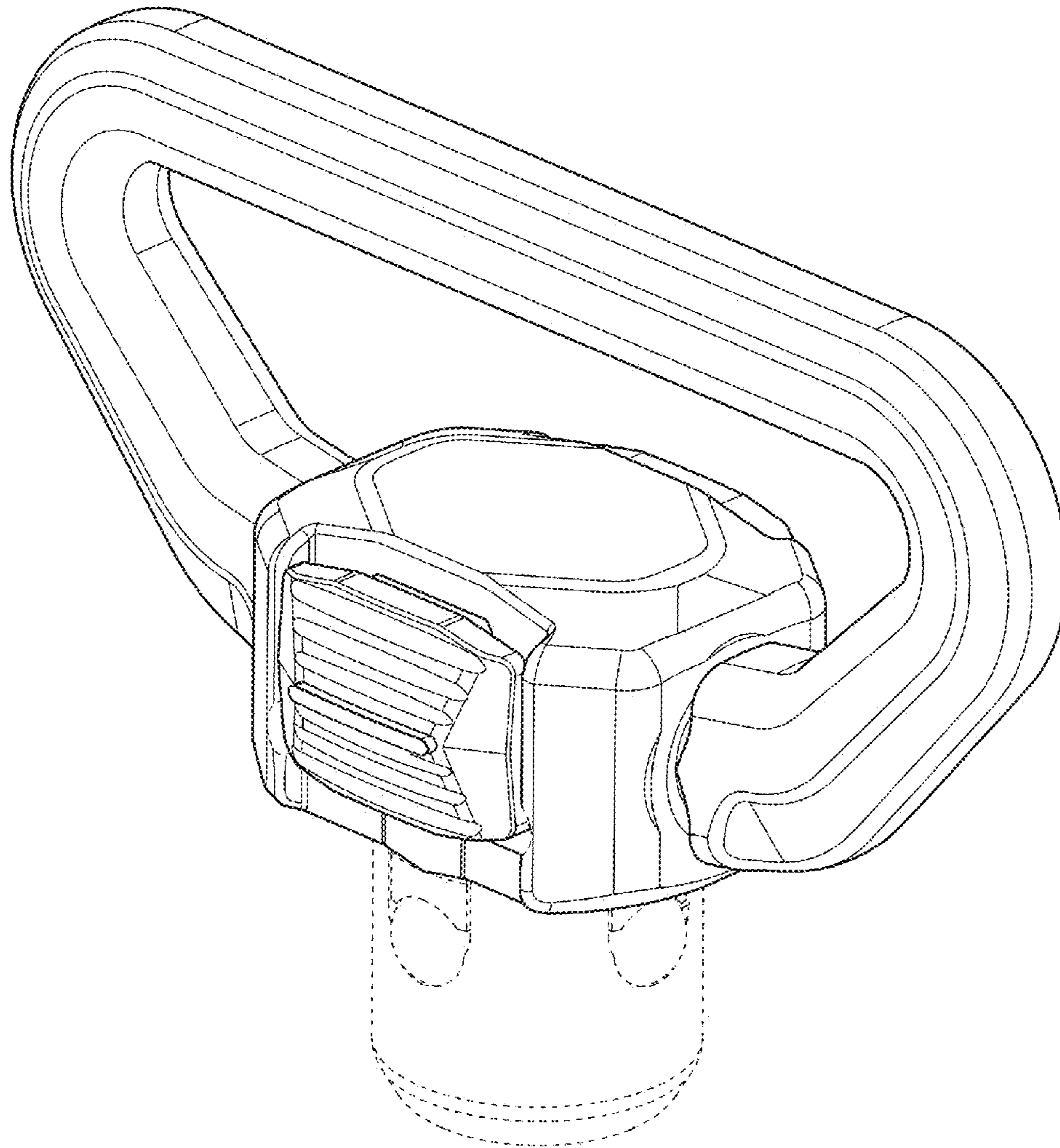


FIG. 2

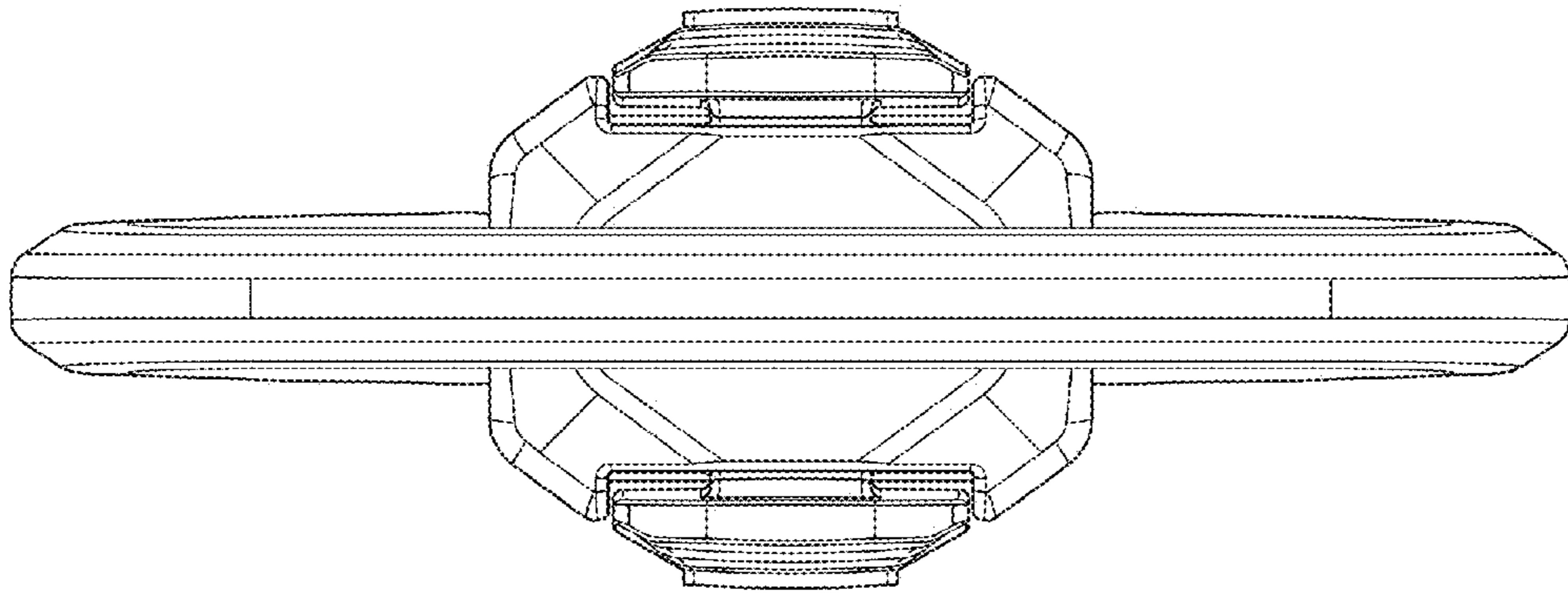


FIG. 3

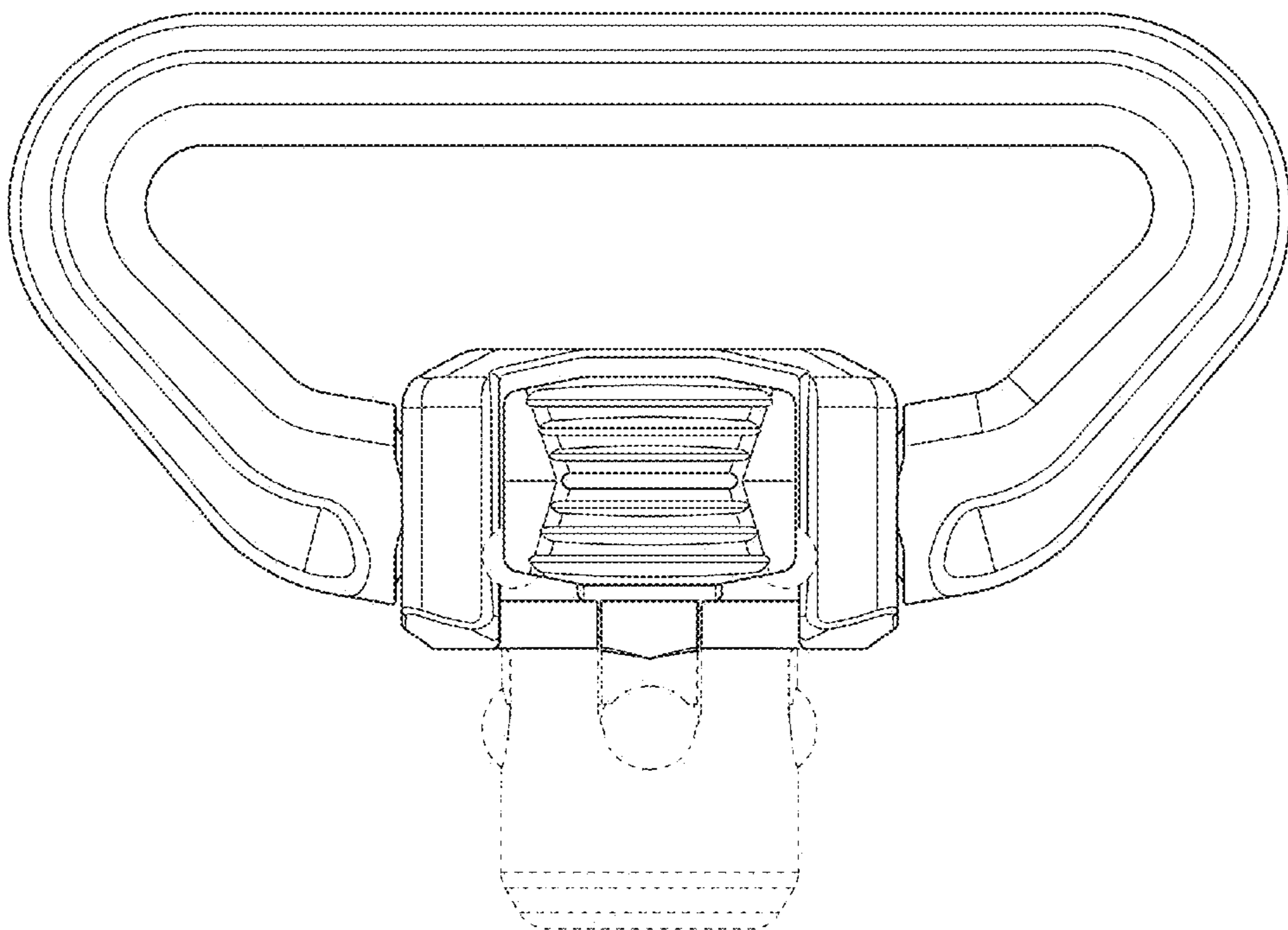


FIG. 4

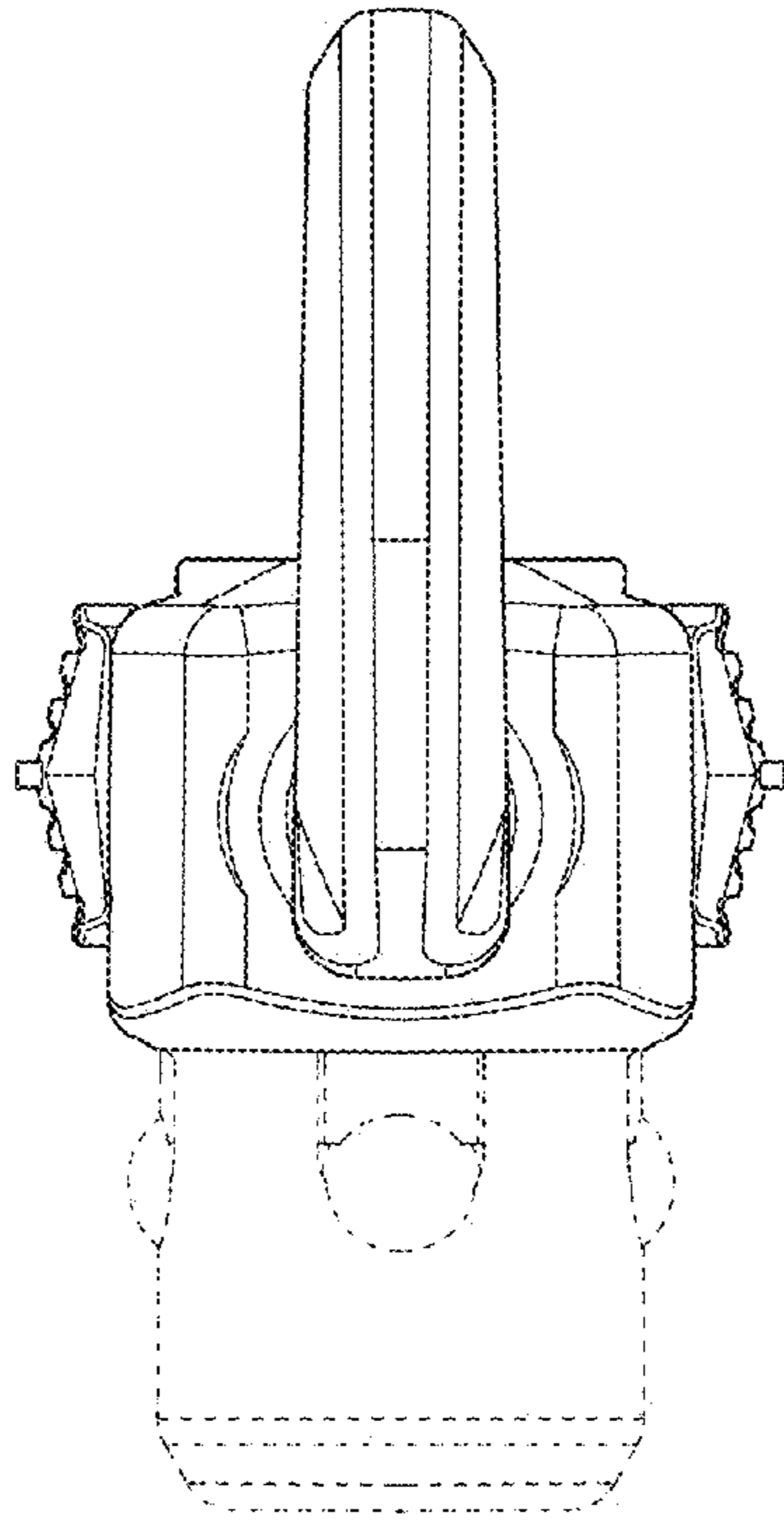


FIG. 5

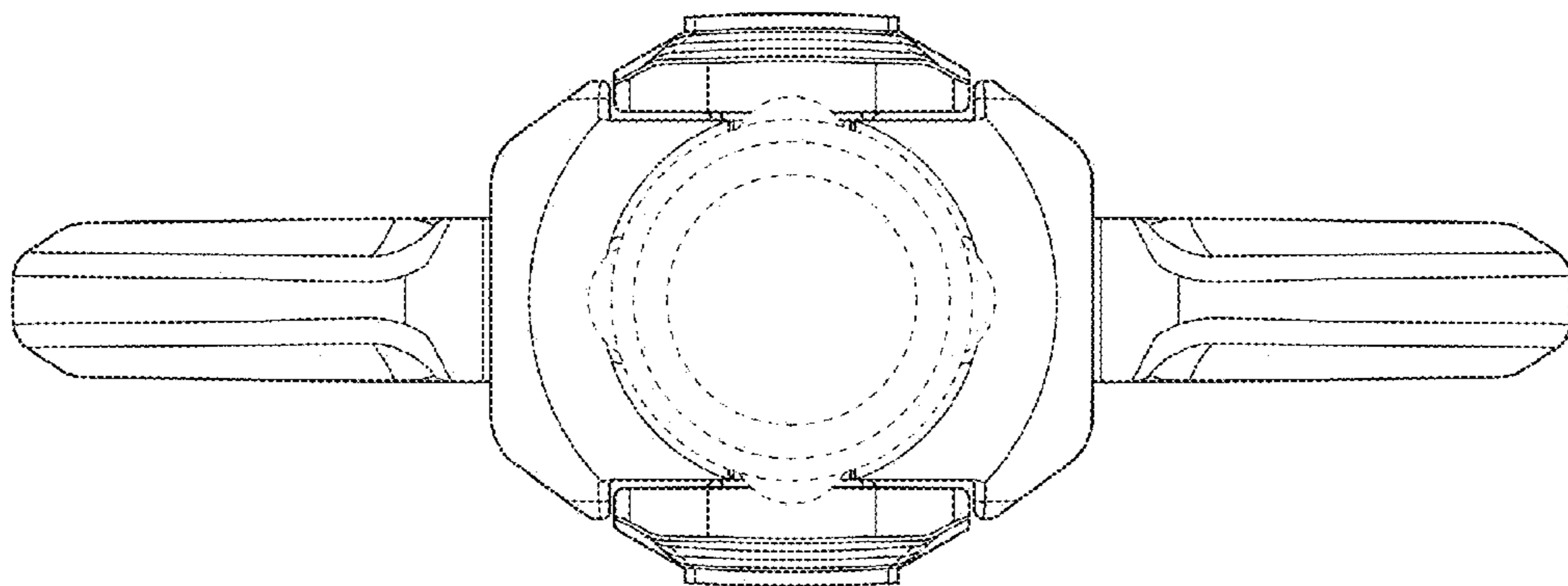


FIG. 6