

US00D763391S

(12) **United States Design Patent**
Xu

(10) **Patent No.:** **US D763,391 S**
(45) **Date of Patent:** **** Aug. 9, 2016**

(54) **FOLDABLE TENT**
(71) Applicant: **Zhifeng Xu**, Stockton, CA (US)
(72) Inventor: **Zhifeng Xu**, Stockton, CA (US)
(**) Term: **15 Years**
(21) Appl. No.: **29/566,490**
(22) Filed: **May 31, 2016**
(51) **LOC (10) Cl.** **21-04**
(52) **U.S. Cl.**
USPC **D21/837**
(58) **Field of Classification Search**
USPC D21/834, 837, 839; D25/22, 56, 61;
52/86, 90.1, 93.1; 125/87, 121, 122,
125/124, 136, 143, 156, 160, 117
CPC E04H 15/00; E04H 15/02; E04H 15/18;
E04H 15/28; E04H 15/32; E04H 15/34;
E04H 15/40; E04H 15/42; E04H 15/425;
E04H 15/50
See application file for complete search history.

6,851,136 B2 * 2/2005 Brereton A47D 9/005
135/126
D505,175 S 5/2005 Wehner
D514,747 S * 2/2006 Bertoli D30/108
7,040,333 B1 5/2006 Ransom
D524,900 S 7/2006 Reis
D530,719 S * 10/2006 Roubanis D14/449
D646,741 S * 10/2011 Akaka D21/837
D661,362 S * 6/2012 Zimmer D21/834
D711,997 S 8/2014 Pescovitz

(Continued)

Primary Examiner — Cynthia M Chin

(74) *Attorney, Agent, or Firm* — Jeanette Meng Nakagawa

(56) **References Cited**

U.S. PATENT DOCUMENTS

3,960,161 A 6/1976 Normal
D318,706 S 7/1991 Norman
D326,134 S * 5/1992 Norman D21/837
D341,407 S * 11/1993 McLeese D21/837
5,411,046 A 5/1995 Wan
5,601,105 A 2/1997 Blen
D381,058 S * 7/1997 Lowenthal D21/838
5,645,096 A 7/1997 Hazinski
5,816,278 A 10/1998 Kim
D400,949 S 11/1998 Gale
D401,983 S 12/1998 Lowenthal
D425,958 S * 5/2000 DePasquale D21/837
6,098,349 A * 8/2000 Zheng E04H 15/40
52/116
6,109,281 A * 8/2000 Lowenthal E04H 15/003
135/117
6,109,282 A 8/2000 Yoon
6,328,050 B1 * 12/2001 McConnell E04H 15/40
135/116
6,453,923 B2 * 9/2002 Zheng A63B 9/00
135/117

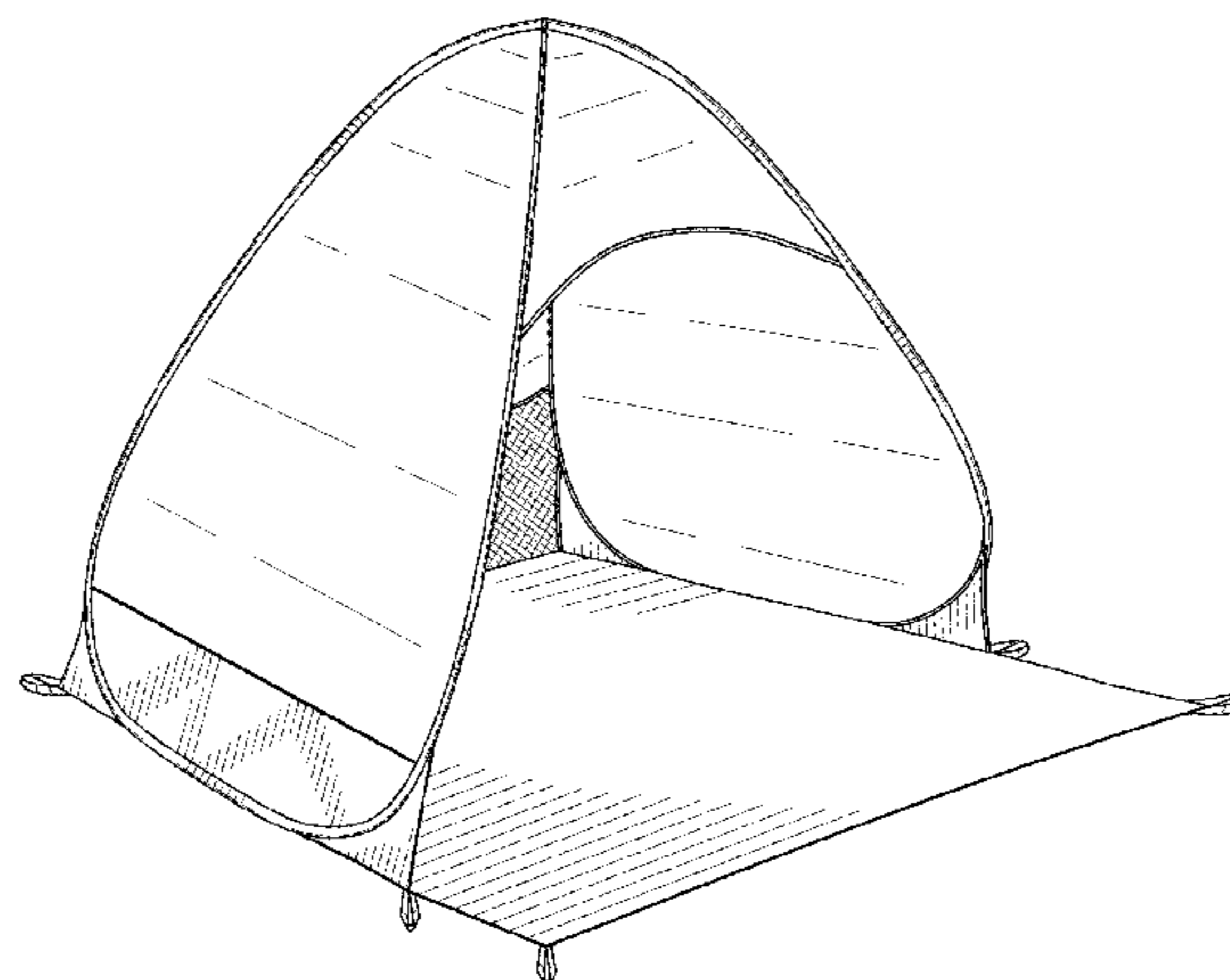
(57) **CLAIM**

The ornamental design for a foldable tent, as shown and described.

DESCRIPTION

FIG. 1 is a perspective view from above of a foldable tent showing my new design;
FIG. 2 is a front view thereof;
FIG. 3 is a left side view thereof;
FIG. 4 is a top view thereof;
FIG. 5 is a right side view thereof;
FIG. 6 is a back view thereof;
FIG. 7 is a bottom view thereof;
FIG. 8 is a perspective view from above of the foldable tent in a bent position, with left and right sides of the foldable tent superimposed onto each other;
FIG. 9 is a perspective view from above of the foldable tent in a semi-collapsed state;
FIG. 10 is a perspective view from above of the foldable tent in a further collapsed state;
FIG. 11 is a perspective view from above of the foldable tent in a final collapsed state; and,
FIG. 12 is a perspective view from above of the foldable tent in a completely collapsed state and secured into a carry bag. The broken-lined carry bag in FIG. 12 represents an exemplary environment in which the tent resides and forms no part of the claimed design.

1 Claim, 6 Drawing Sheets



(56)

References Cited

U.S. PATENT DOCUMENTS

D721,413 S * 1/2015 Zimmer D21/837
D725,212 S 3/2015 Lah
D741,437 S * 10/2015 Zimmer D21/837
D750,721 S 3/2016 Shirley-Smith

D753,254 S 4/2016 Brensinger et al.
2003/0183263 A1 10/2003 Viglione
2005/0081903 A1 4/2005 Wang
2005/0121061 A1 6/2005 Zheng
2012/0160287 A1 6/2012 van Aalst

* cited by examiner

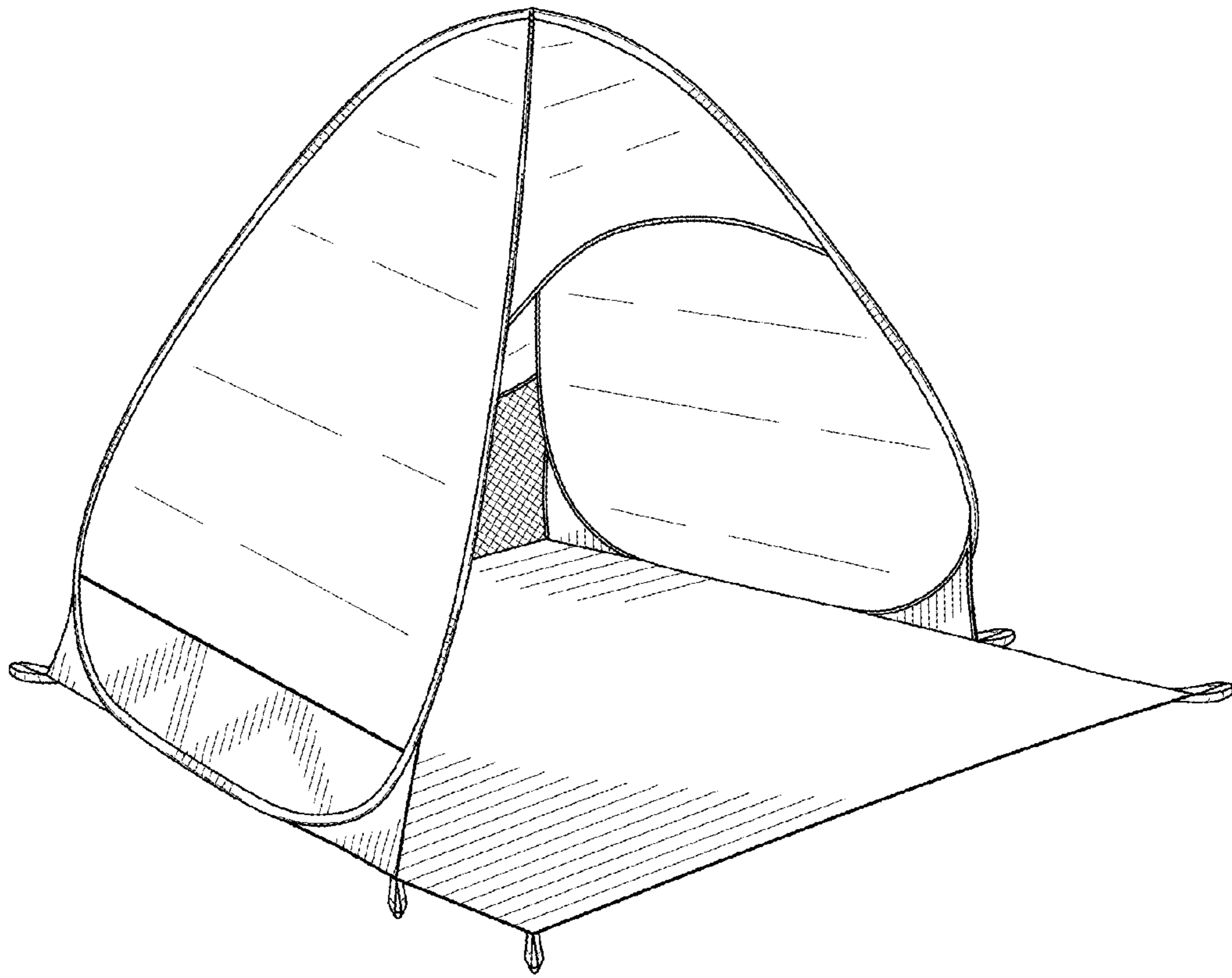


FIG. 1

FIG. 2

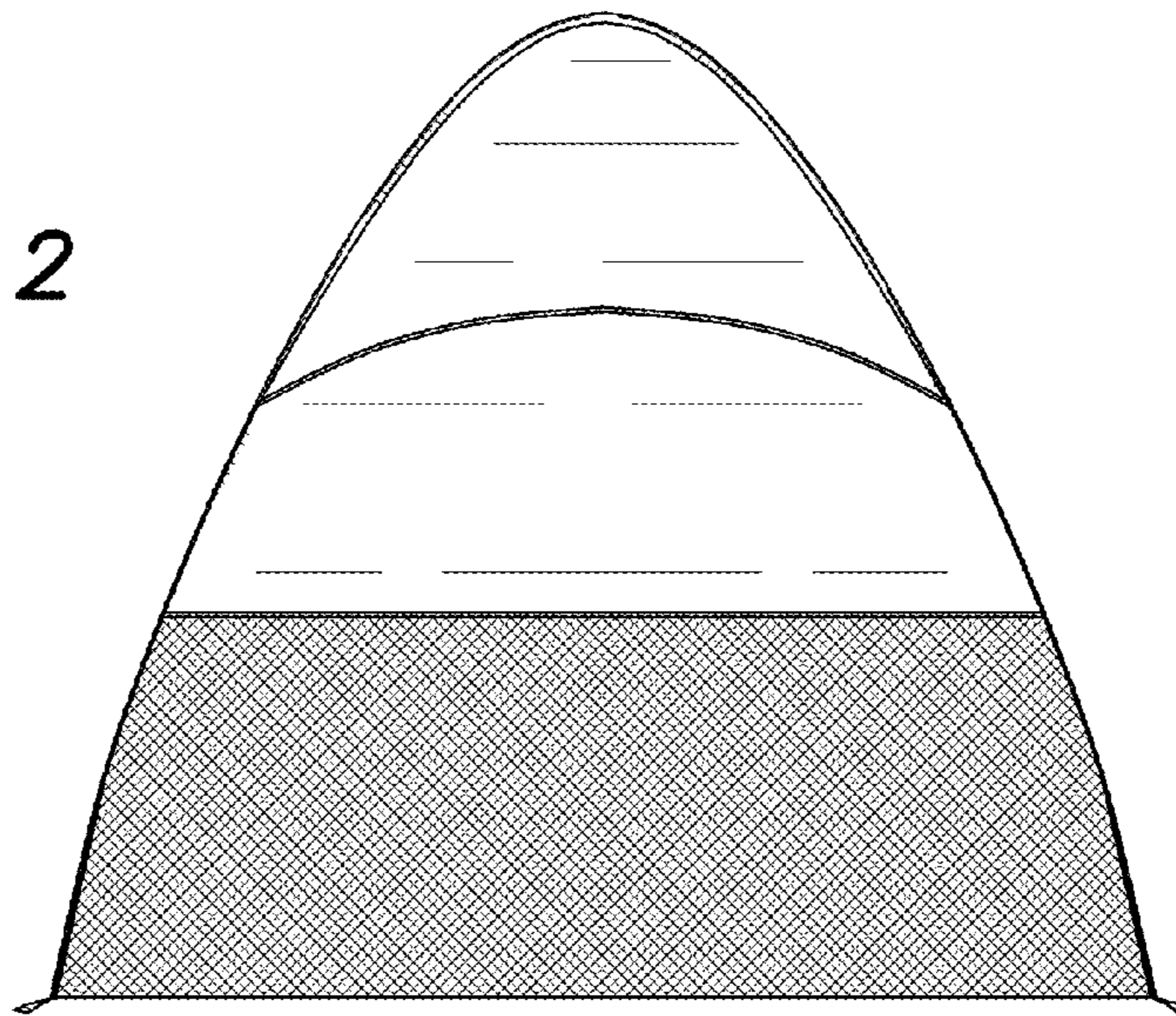
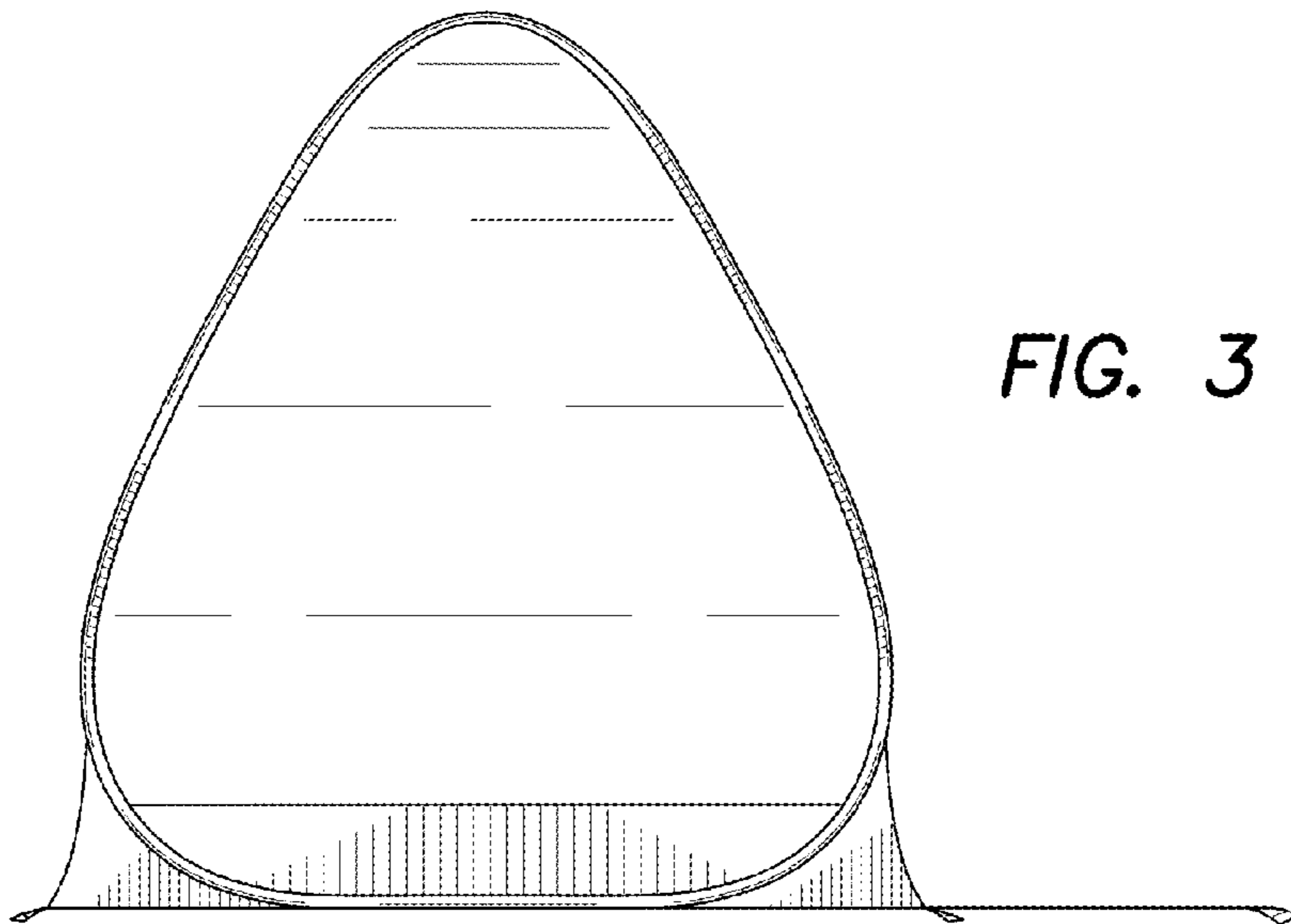


FIG. 3



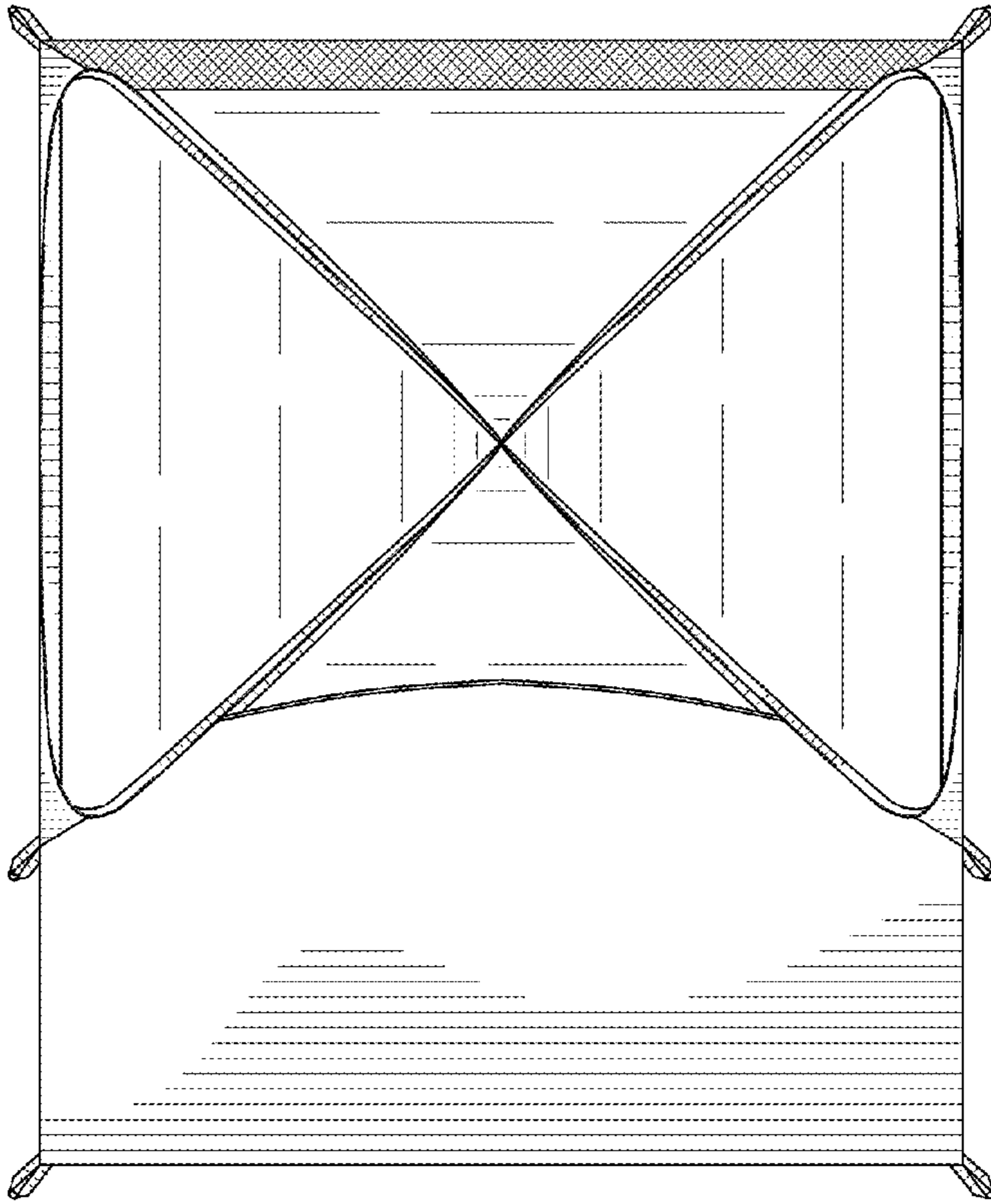
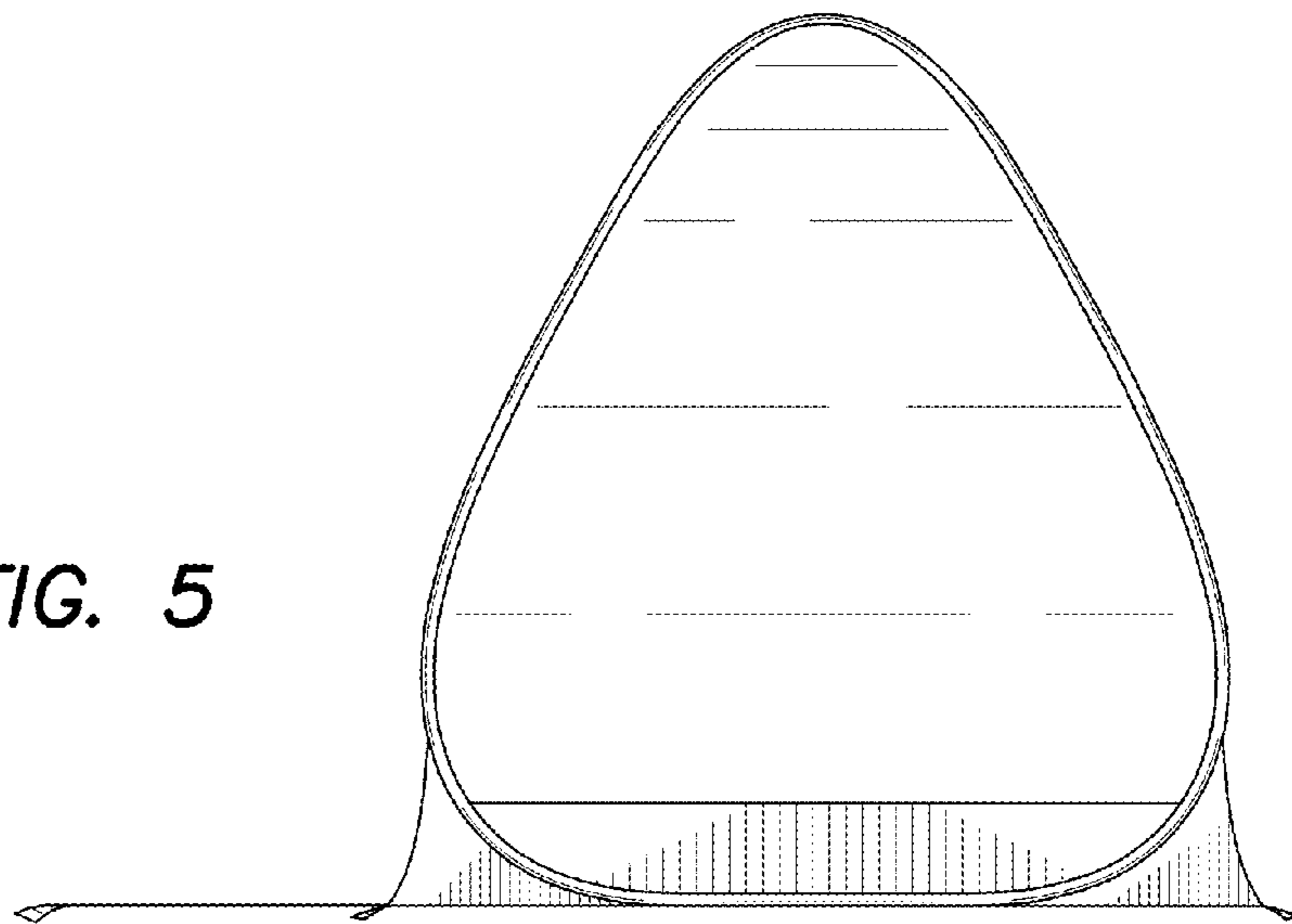


FIG. 4

FIG. 5



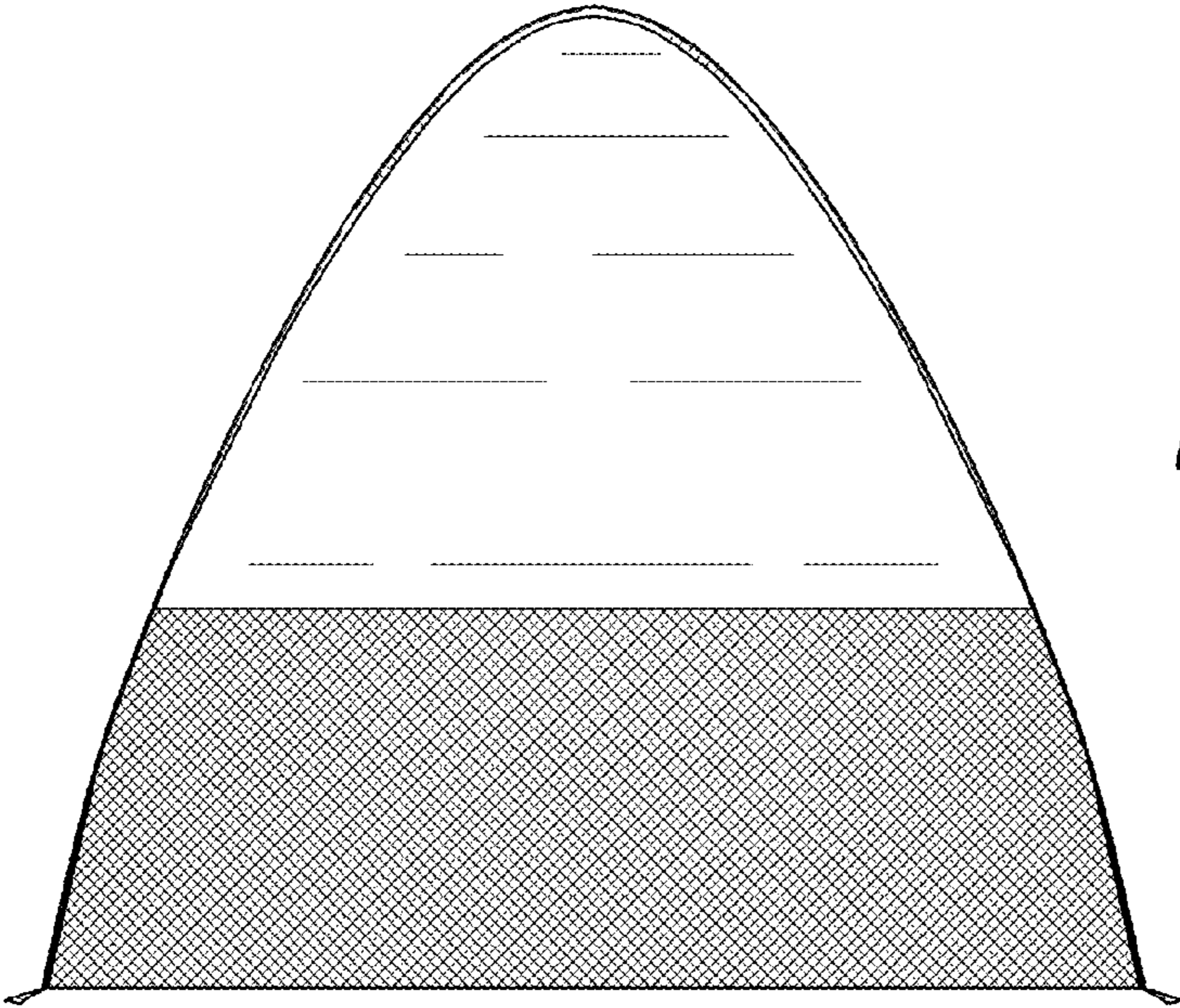


FIG. 6

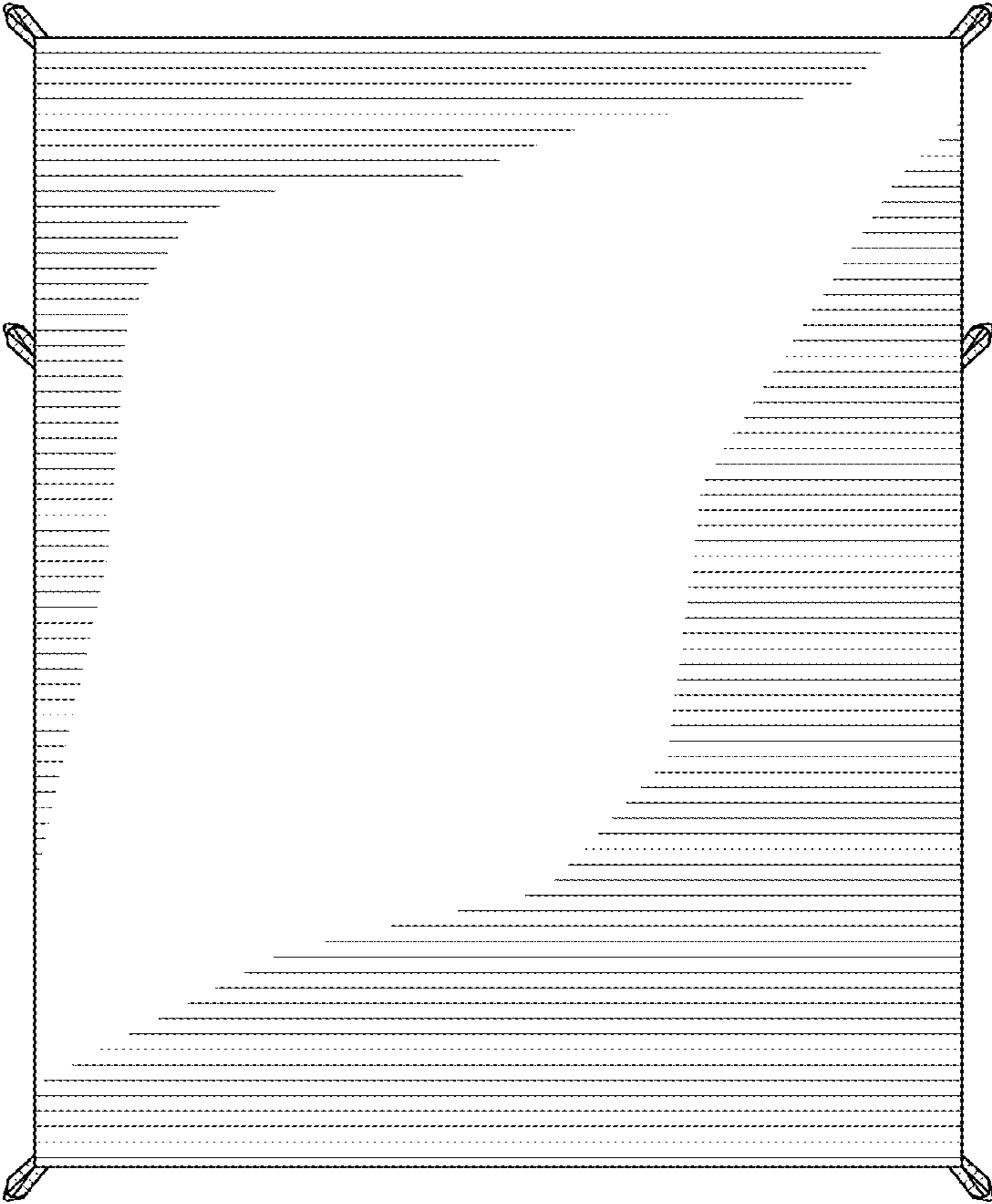


FIG. 7

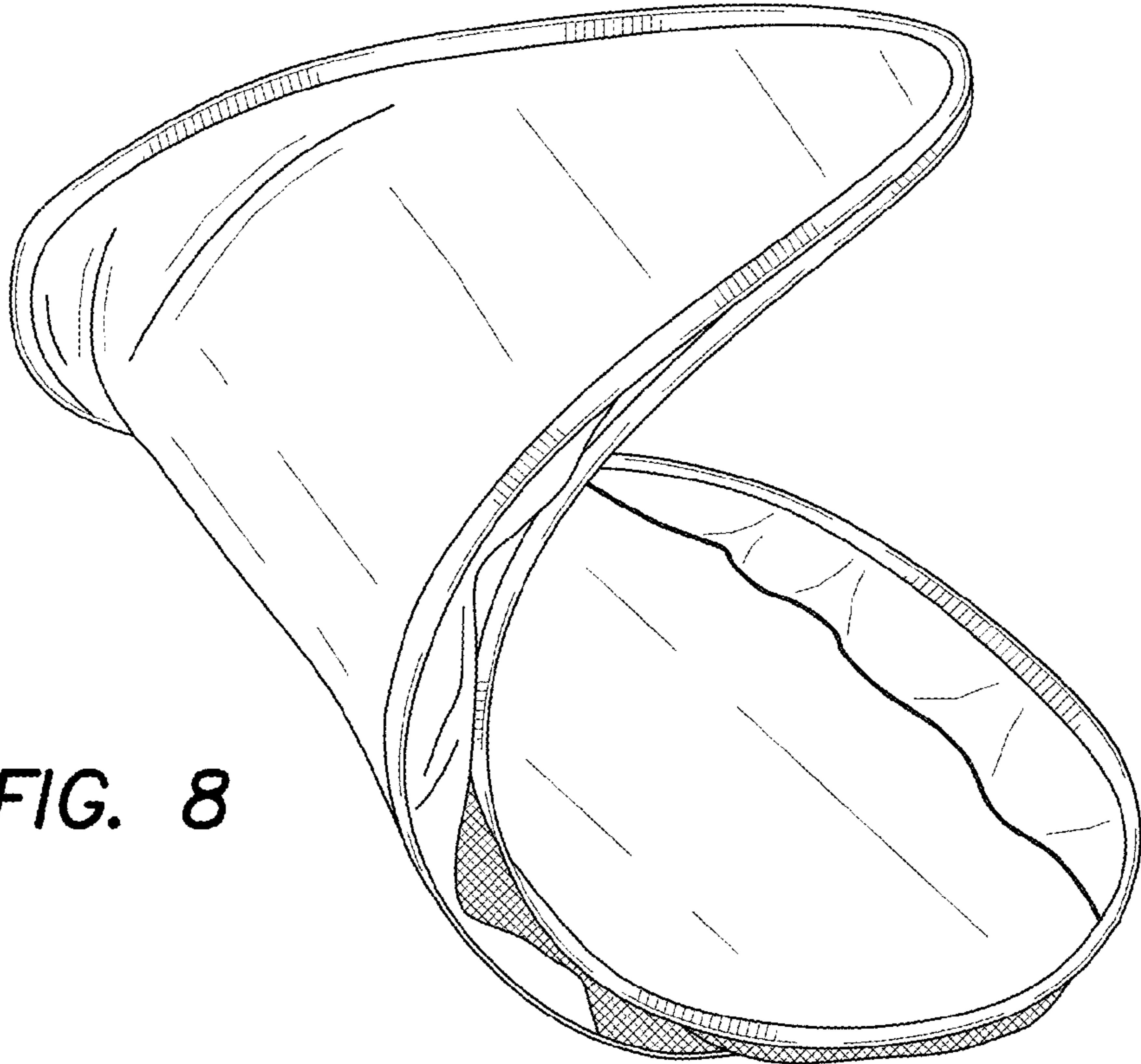


FIG. 8

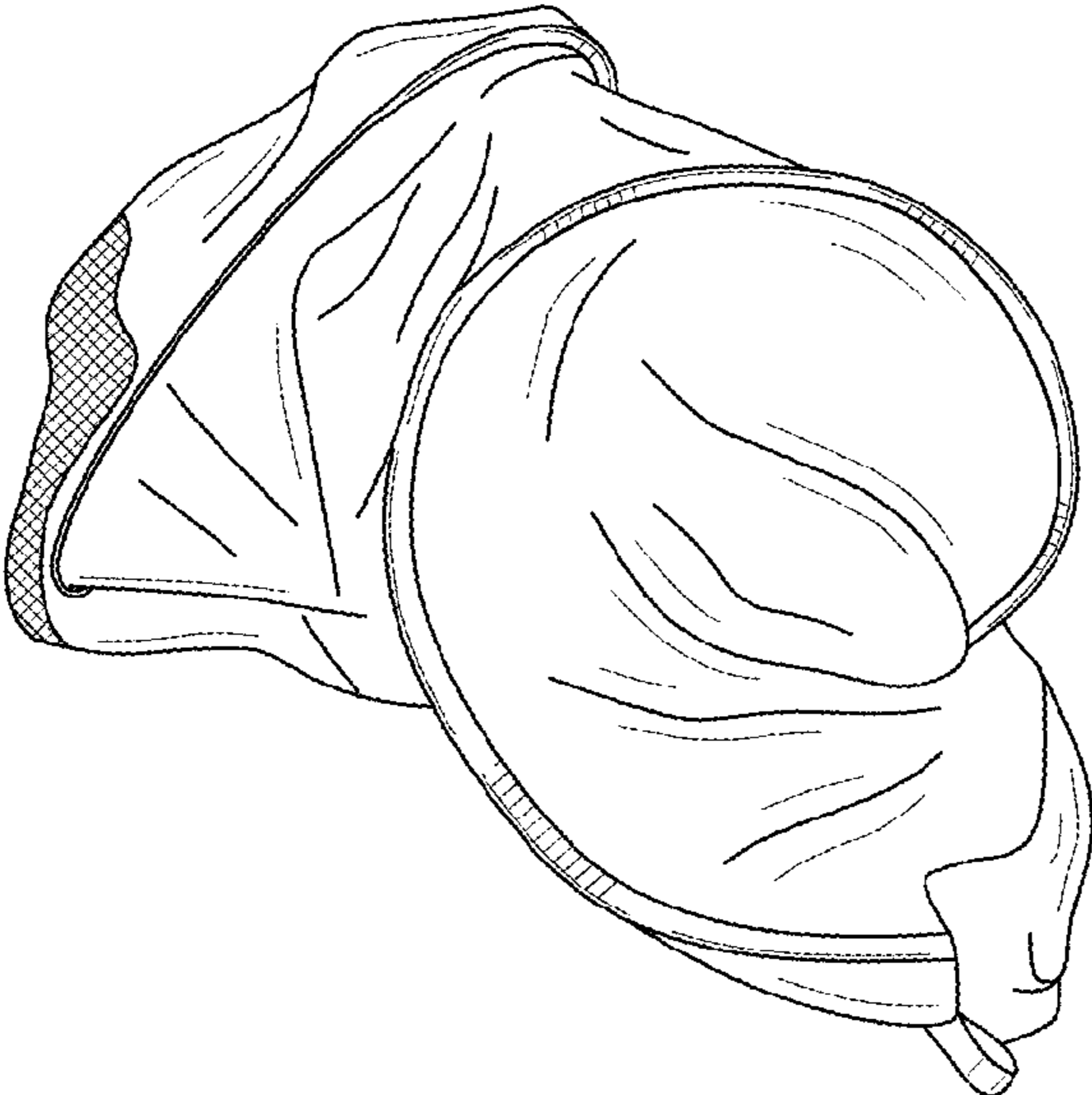


FIG. 9

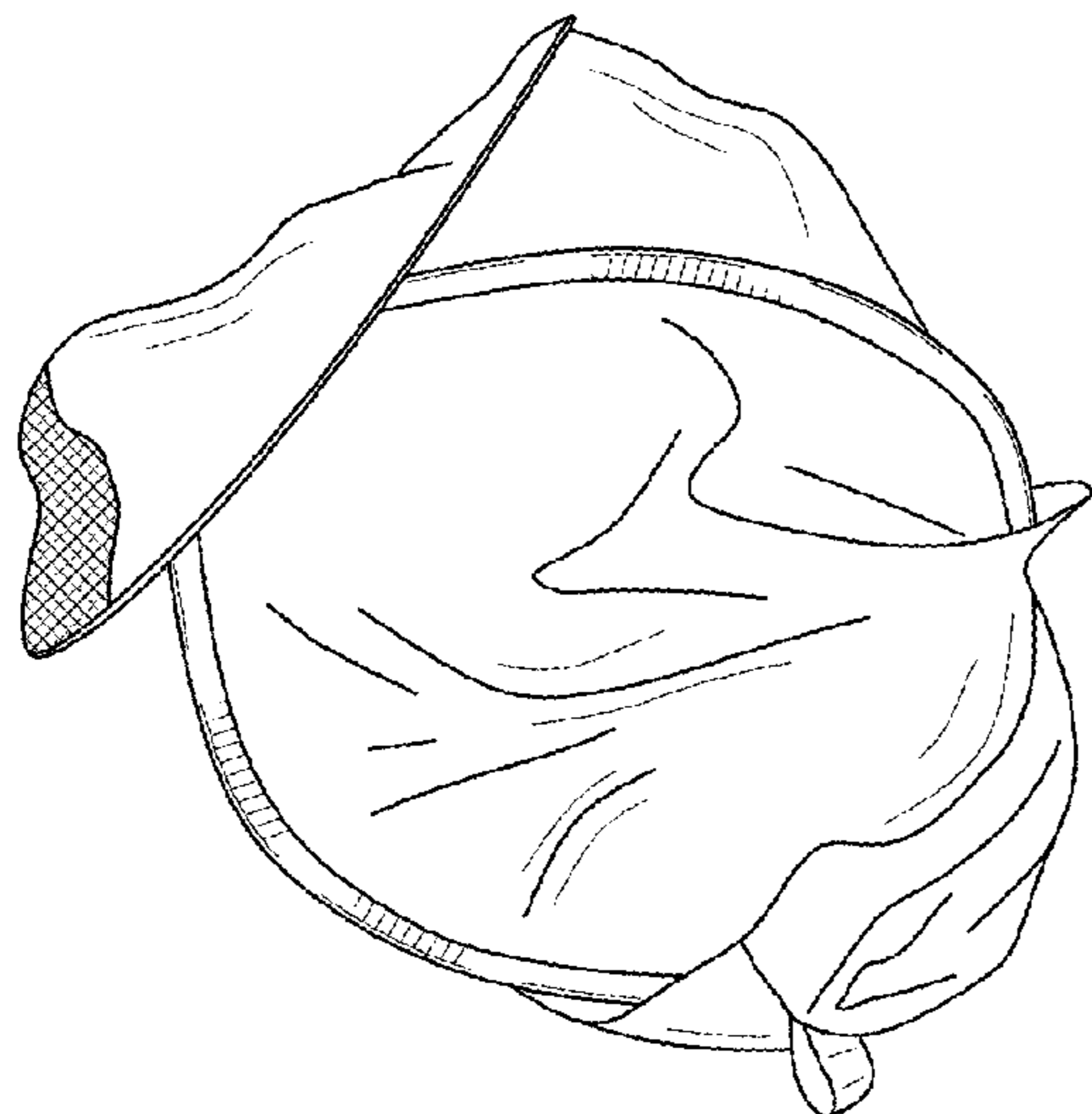


FIG. 10

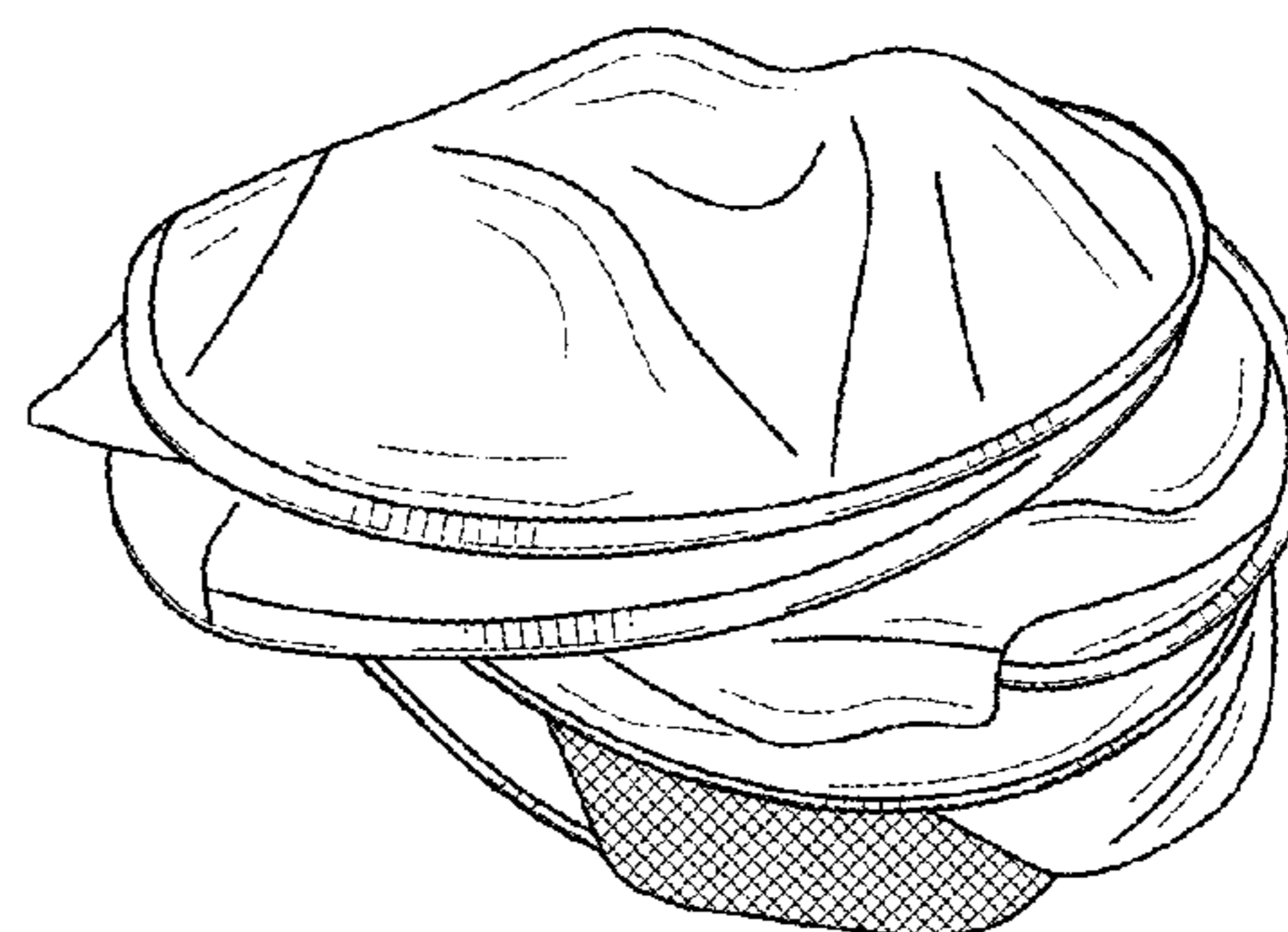


FIG. 11

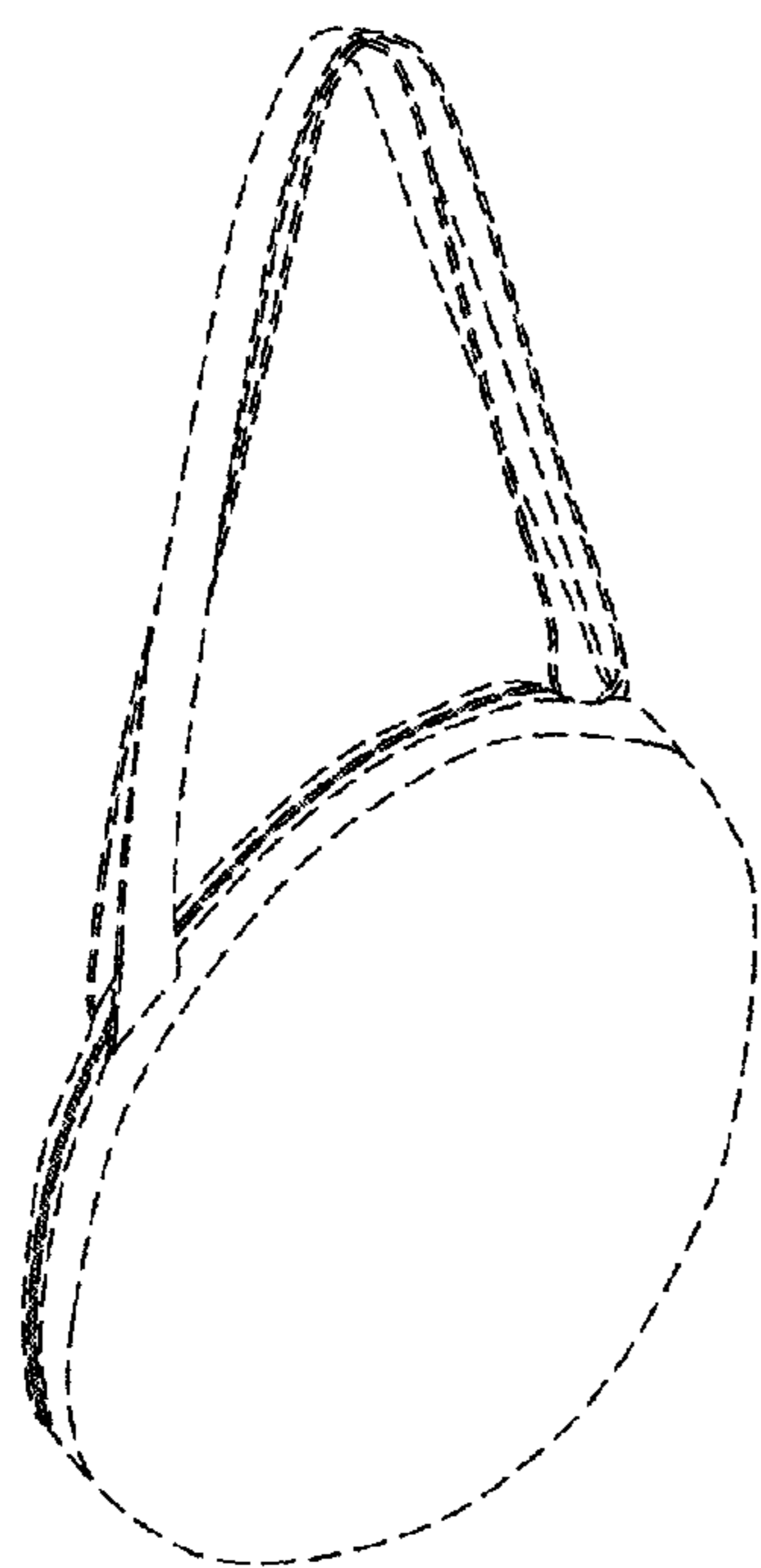


FIG. 12