



US00D763390S

(12) **United States Design Patent**  
**Smucker**

(10) **Patent No.:** **US D763,390 S**

(45) **Date of Patent:** **\*\* Aug. 9, 2016**

(54) **TENT WITH INFLATABLE MATTRESS**

(71) Applicant: **Elmer Smucker**, Narvon, PA (US)

(72) Inventor: **Elmer Smucker**, Narvon, PA (US)

(\*\*) Term: **15 Years**

(21) Appl. No.: **29/528,909**

(22) Filed: **Jun. 2, 2015**

(51) **LOC (10) Cl.** ..... **21-04**

(52) **U.S. Cl.**

USPC ..... **D21/834**; D21/835

(58) **Field of Classification Search**

USPC ..... D21/834, 838, 839; D6/389, 382, 602,  
D6/606, 610, 616; 135/90, 96, 124-126,  
135/137; 5/414, 424

CPC ..... E04H 15/20; E04H 15/32; E04H 15/324;  
E04H 15/40; A47C 21/00; A47C 21/08;  
A47C 29/00

See application file for complete search history.

(56) **References Cited**

**U.S. PATENT DOCUMENTS**

4,590,956 A	5/1986	Griesenbeck	
D285,880 S *	9/1986	Griesenbeck	..... D21/838
D330,745 S	11/1992	Fogle	
D353,967 S	1/1995	Moore	
5,642,750 A	7/1997	Brown	
5,660,197 A	8/1997	Boe	
5,913,322 A	6/1999	Gallant	
6,167,898 B1	1/2001	Larga	

D469,496 S *	1/2003	Schur	..... D21/834
D510,119 S *	9/2005	Brock	..... D21/835
7,174,584 B2	2/2007	Danaher	
D546,914 S *	7/2007	Yoder	..... D21/835
D654,187 S *	2/2012	Shepherd	..... D21/834
8,550,538 B1 *	10/2013	Brandenburg	..... B60P 3/341 135/88.13
8,651,124 B2 *	2/2014	Damas	..... E04H 15/324 135/115
2008/0210282 A1 *	9/2008	Turcot	..... E04H 15/06 135/88.14
2010/0083995 A1 *	4/2010	Sanders	..... E04H 15/324 135/96

**FOREIGN PATENT DOCUMENTS**

WO WO2008095295 A1 8/2008

\* cited by examiner

*Primary Examiner* — Cynthia M Chin

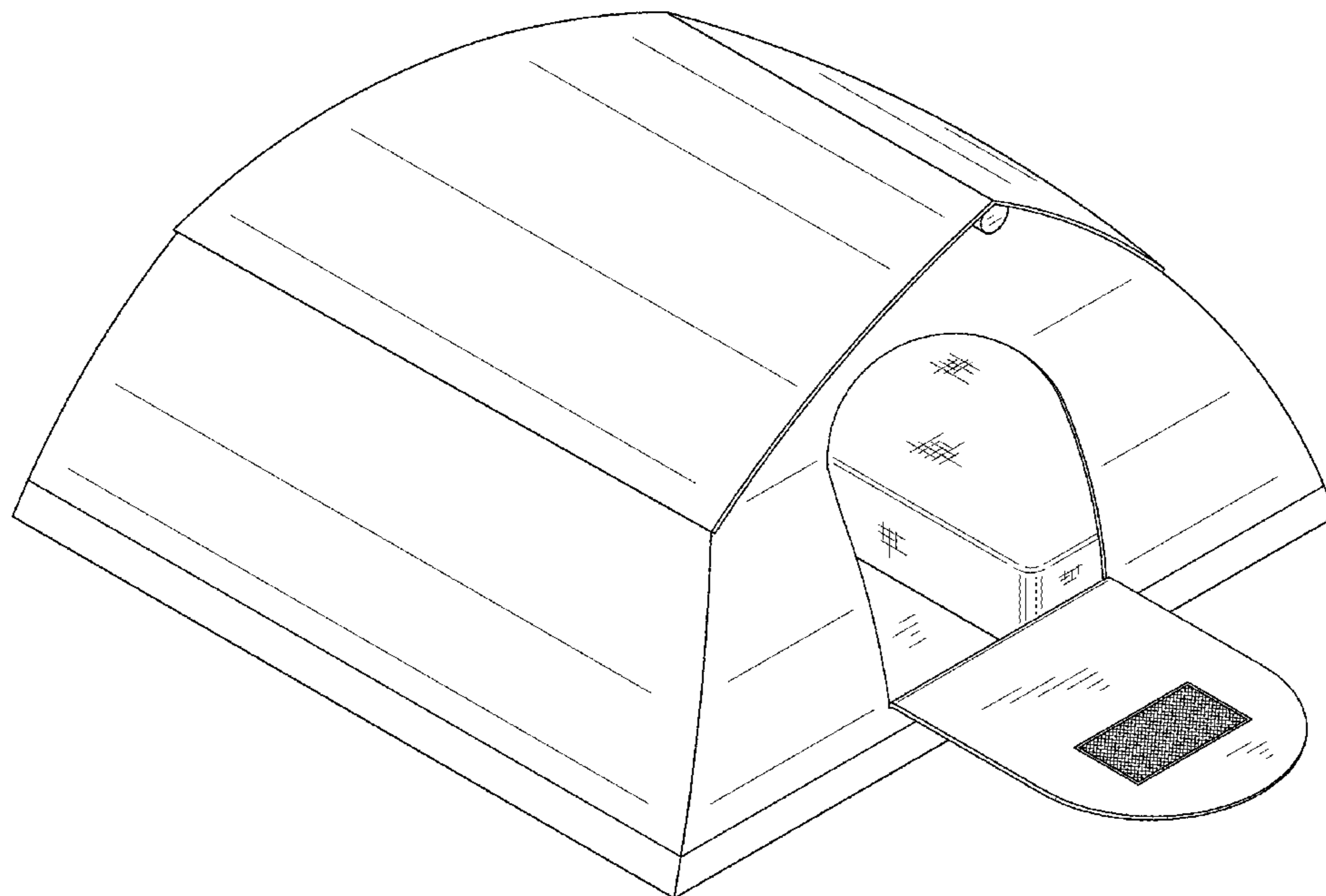
(57) **CLAIM**

I claim the ornamental design for a tent with inflatable mattress, as shown and described.

**DESCRIPTION**

FIG. 1 is a front view of the tent with inflatable mattress.  
FIG. 2 is a back view of the claimed design.  
FIG. 3 is a side view of the claimed design.  
FIG. 4 is a top view of the claimed design.  
FIG. 5 is a bottom view of the claimed design.  
FIG. 6 is a perspective view of the claimed design; and,  
FIG. 7 is a cross-sectional view of the claimed design along line 7-7 in FIG. 3.

**1 Claim, 7 Drawing Sheets**



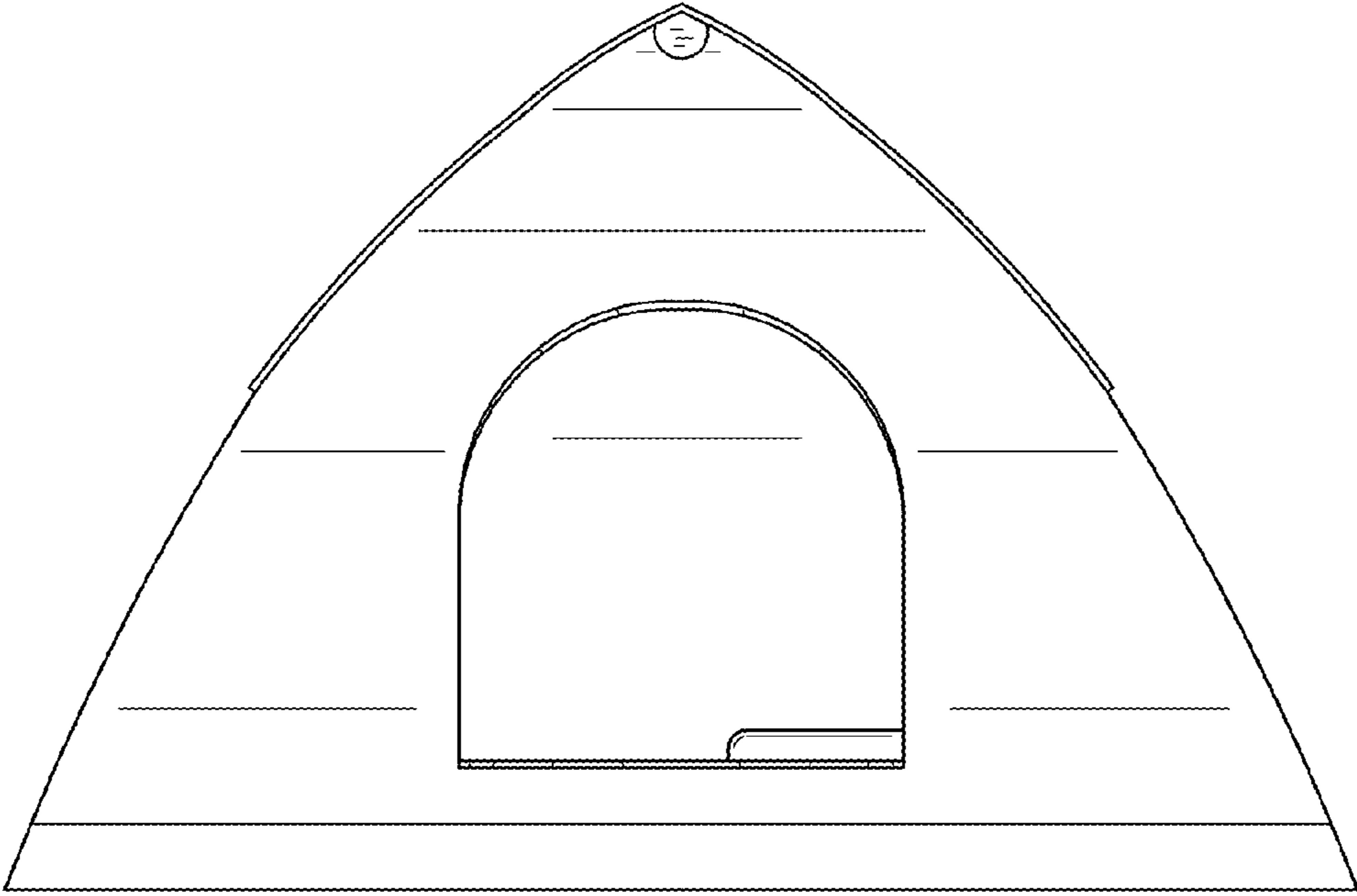


FIG. 1

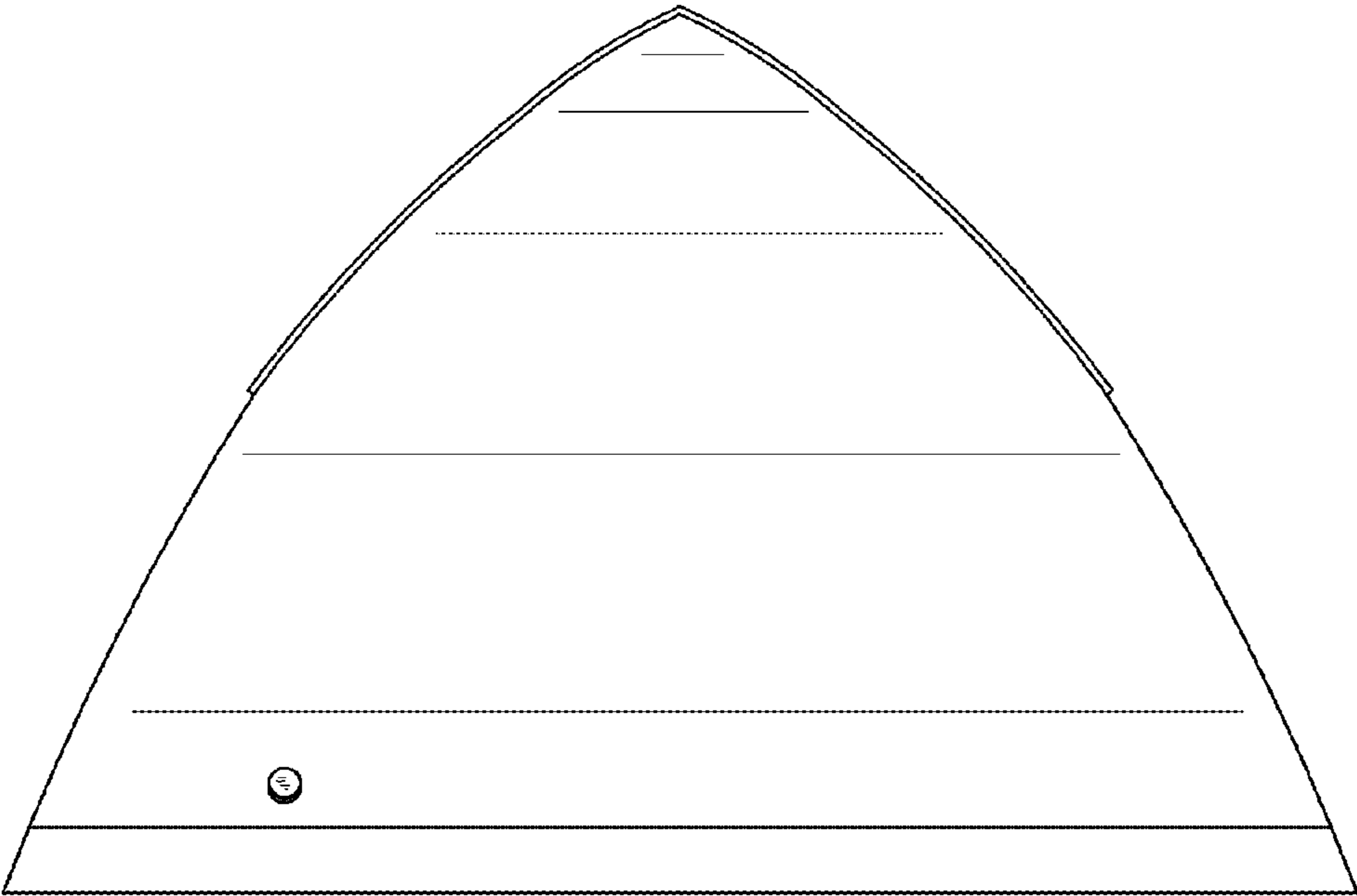


FIG. 2

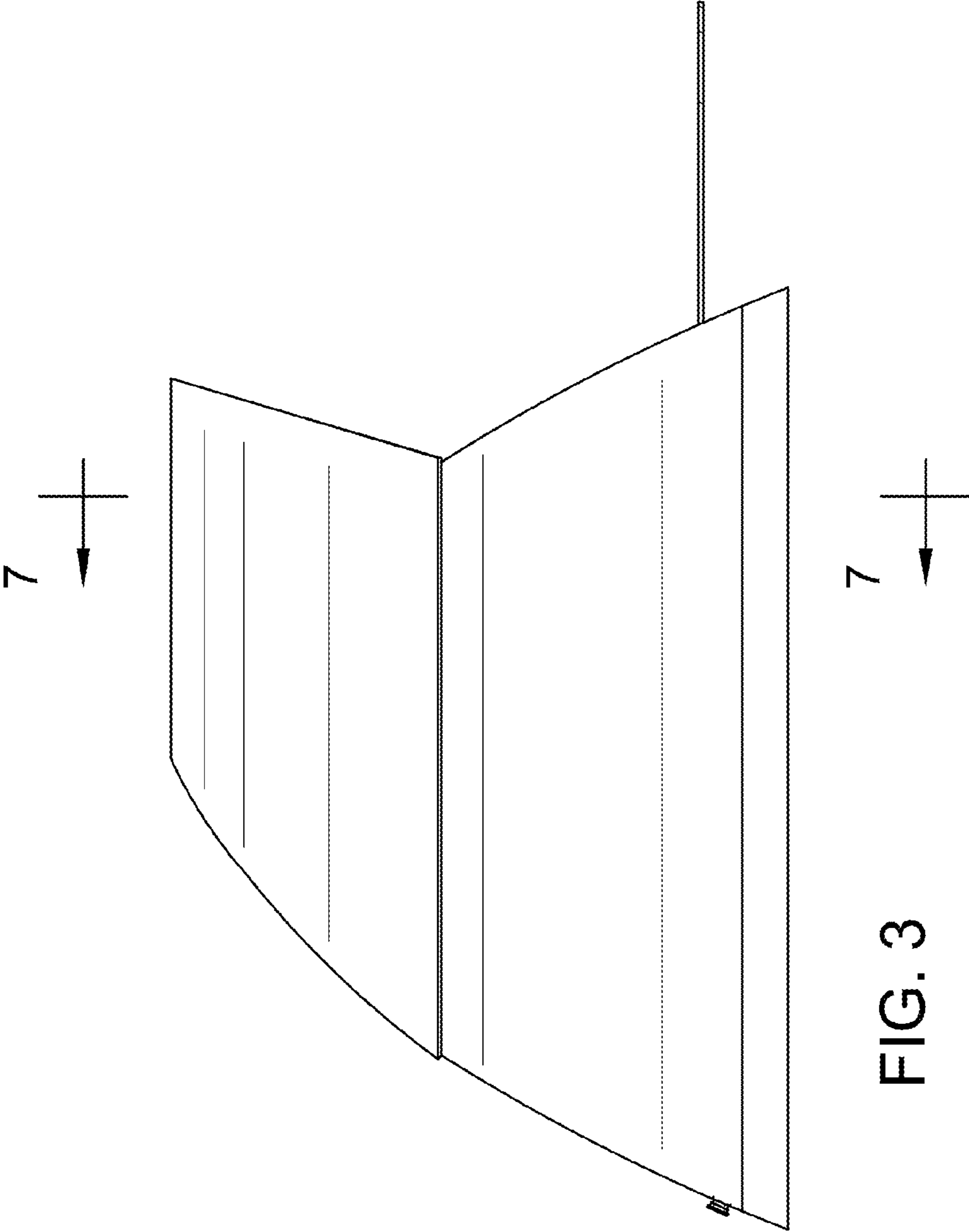


FIG. 3

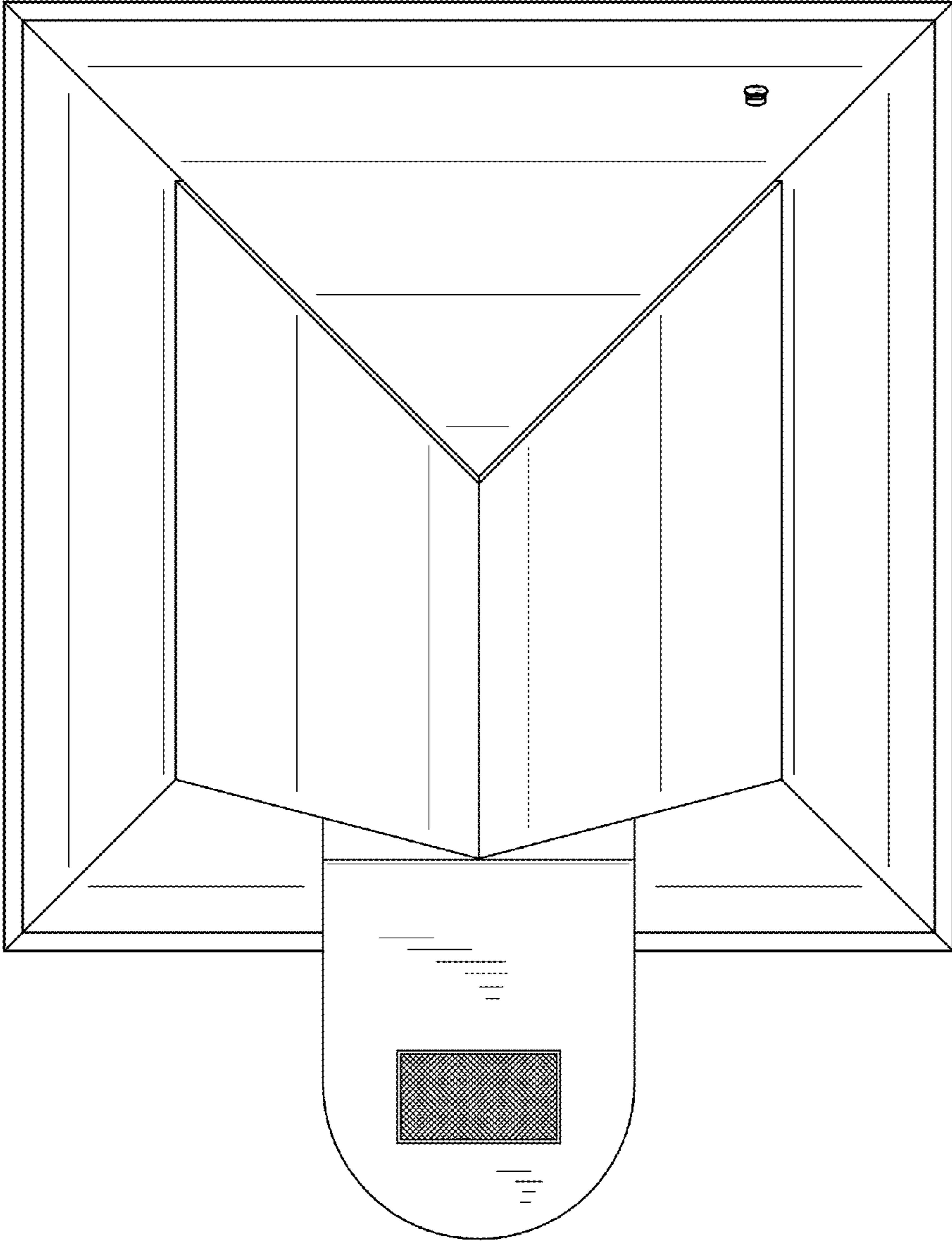


FIG. 4

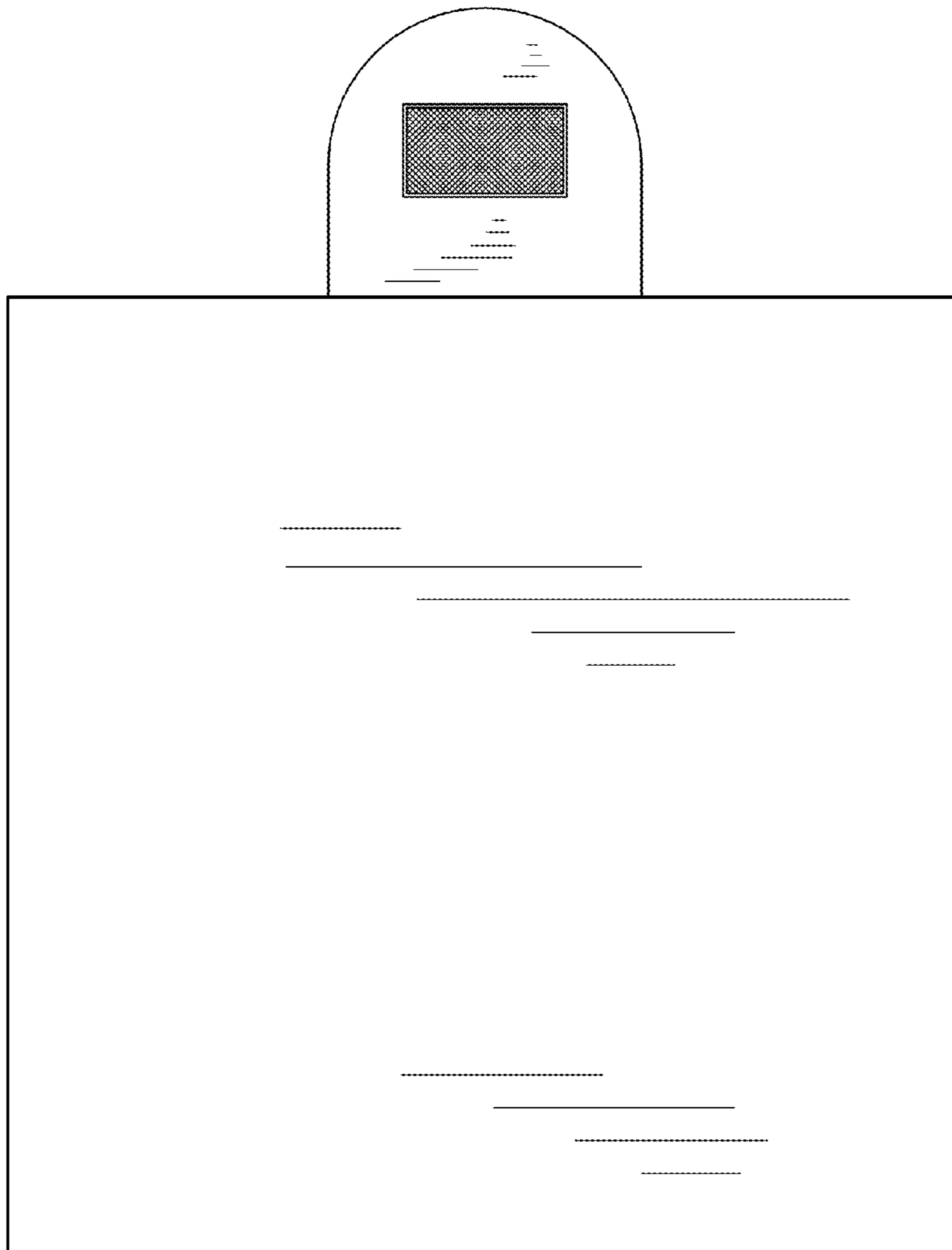


FIG. 5

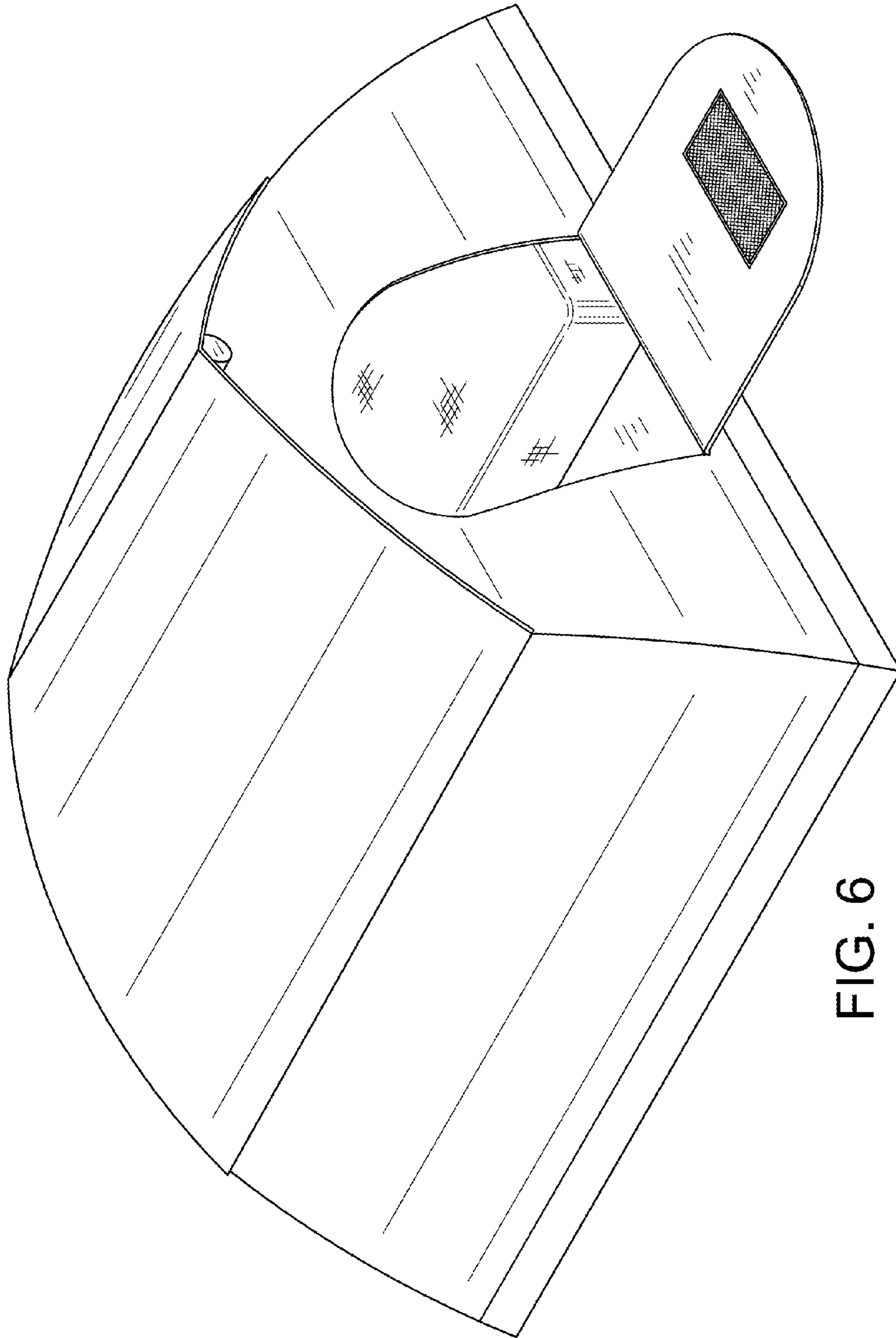


FIG. 6

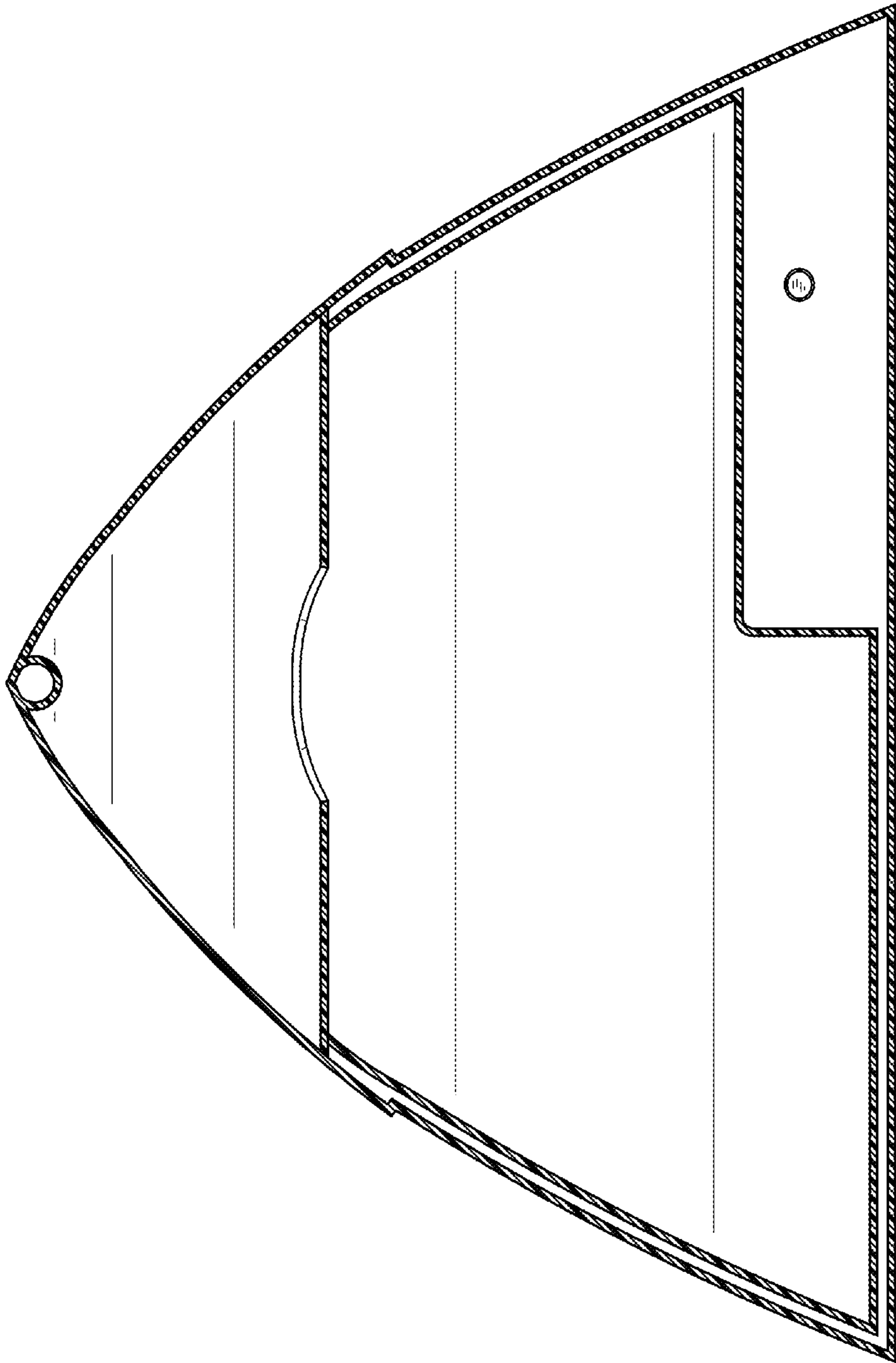


FIG. 7