



US00D763386S

(12) **United States Design Patent**
Cardani

(10) **Patent No.:** **US D763,386 S**
(45) **Date of Patent:** **** Aug. 9, 2016**

(54) **GOLF CLUB HEAD FOR A PUTTER**

(71) Applicant: **NIKE, Inc.**, Beaverton, OR (US)

(72) Inventor: **Jason Cardani**, Portland, OR (US)

(73) Assignee: **NIKE, Inc.**, Beaverton, OR (US)

(**) Term: **14 Years**

(21) Appl. No.: **29/525,356**

(22) Filed: **Apr. 29, 2015**

(51) **LOC (10) Cl.** **21-02**

(52) **U.S. Cl.**
USPC **D21/759**

(58) **Field of Classification Search**
USPC D21/736–746, 759
CPC A63B 53/00; A63B 53/04; A63B 53/007;
A63B 53/065; A63B 53/0487
See application file for complete search history.

(56) **References Cited**

U.S. PATENT DOCUMENTS

D396,082 S *	7/1998	Sheets	D21/742
D398,352 S *	9/1998	Sheets	D21/742
D428,457 S	7/2000	Rollinson et al.		
D449,085 S	10/2001	Breier et al.		
D472,949 S	4/2003	Serrano		
D474,821 S *	5/2003	Wells	D21/743
D486,872 S *	2/2004	Schweigert	D21/736
D510,395 S	10/2005	Mirafflor et al.		
D515,647 S	2/2006	Morgulis		
D526,035 S	8/2006	Hueber		
D547,403 S	7/2007	Serrano et al.		
D564,609 S	3/2008	Oldknow et al.		
7,390,267 B2	6/2008	Grace		
D583,886 S	12/2008	Cameron		
D588,657 S	3/2009	Hettinger et al.		
D591,806 S	5/2009	Cameron		
D634,381 S	3/2011	Cardani		
D634,801 S	3/2011	Rollinson		
D635,625 S	4/2011	Rollinson		

D641,057 S *	7/2011	Rollinson	D21/744
D641,440 S *	7/2011	Hettinger	D21/743
D641,442 S *	7/2011	Rollinson	D21/744
D648,408 S	11/2011	Teramoto		
D650,457 S	12/2011	Rollinson		
D650,458 S	12/2011	Rollinson		
D652,092 S	1/2012	Rollinson		
D688,762 S	8/2013	Hilton et al.		
D690,378 S *	9/2013	Rollinson	D21/743
D691,681 S *	10/2013	Hilton	D21/736
D699,308 S	2/2014	Rollinson		
D707,771 S	6/2014	Cameron		

(Continued)

OTHER PUBLICATIONS

Edwin Watts Golf Catalog, Spring 2010; pp. 7, published Spring 2010.

(Continued)

Primary Examiner — Mitchell Siegel

(74) *Attorney, Agent, or Firm* — Banner & Witcoff, Ltd.

(57) **CLAIM**

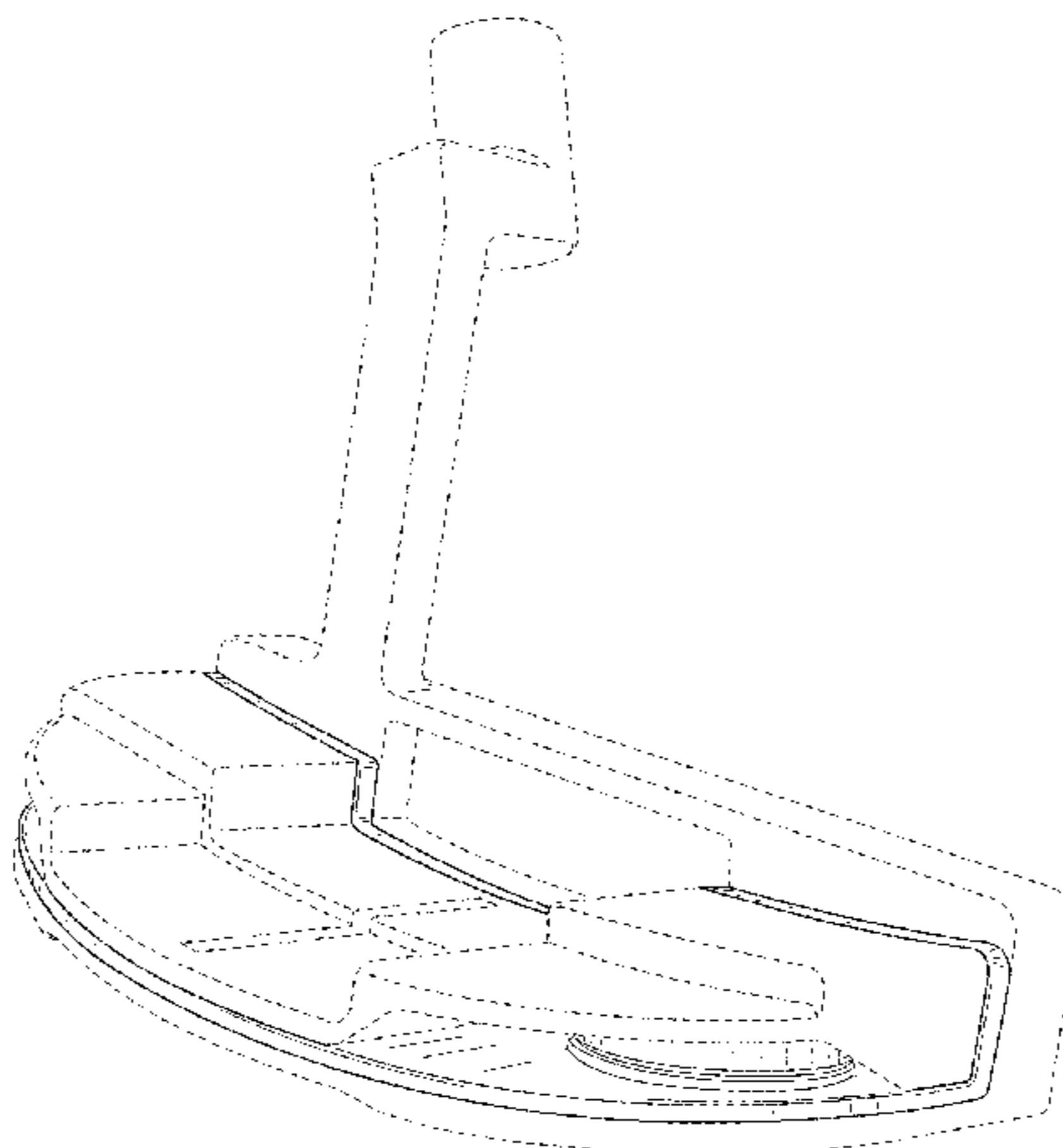
The ornamental design for a golf club head for a putter, as shown and described.

DESCRIPTION

FIG. 1 is rear perspective view of a golf club head for a putter showing my new design;
FIG. 2 is a bottom perspective view thereof;
FIG. 3 is a rear view thereof;
FIG. 4 is a front view thereof;
FIG. 5 is a toe end view thereof;
FIG. 6 is a heel end view thereof; and,
FIG. 7 is a top view thereof.

The broken lines immediately adjacent to the shaded area represent unclaimed boundaries of the design. The broken lines showing the remainder of the golf club are for environmental purposes only and form no part of the claimed design.

1 Claim, 5 Drawing Sheets



(56)

References Cited

OTHER PUBLICATIONS

U.S. PATENT DOCUMENTS

D720,023 S 12/2014 Rollinson
D720,024 S 12/2014 Rollinson
D730,465 S 5/2015 Cameron
D733,233 S * 6/2015 Dolezel D21/742
2015/0080147 A1 3/2015 Cameron
2015/0080148 A1 3/2015 Cameron

Golfsmith Catalog, Spring 2010; pp. 25, published Spring 2010.

Golfsmith Catalog, Spring 2010; pp. 34, published Spring 2010.

Solfsmith Catalog, Spring 2010; pp. 29, published Spring 2010.

* cited by examiner

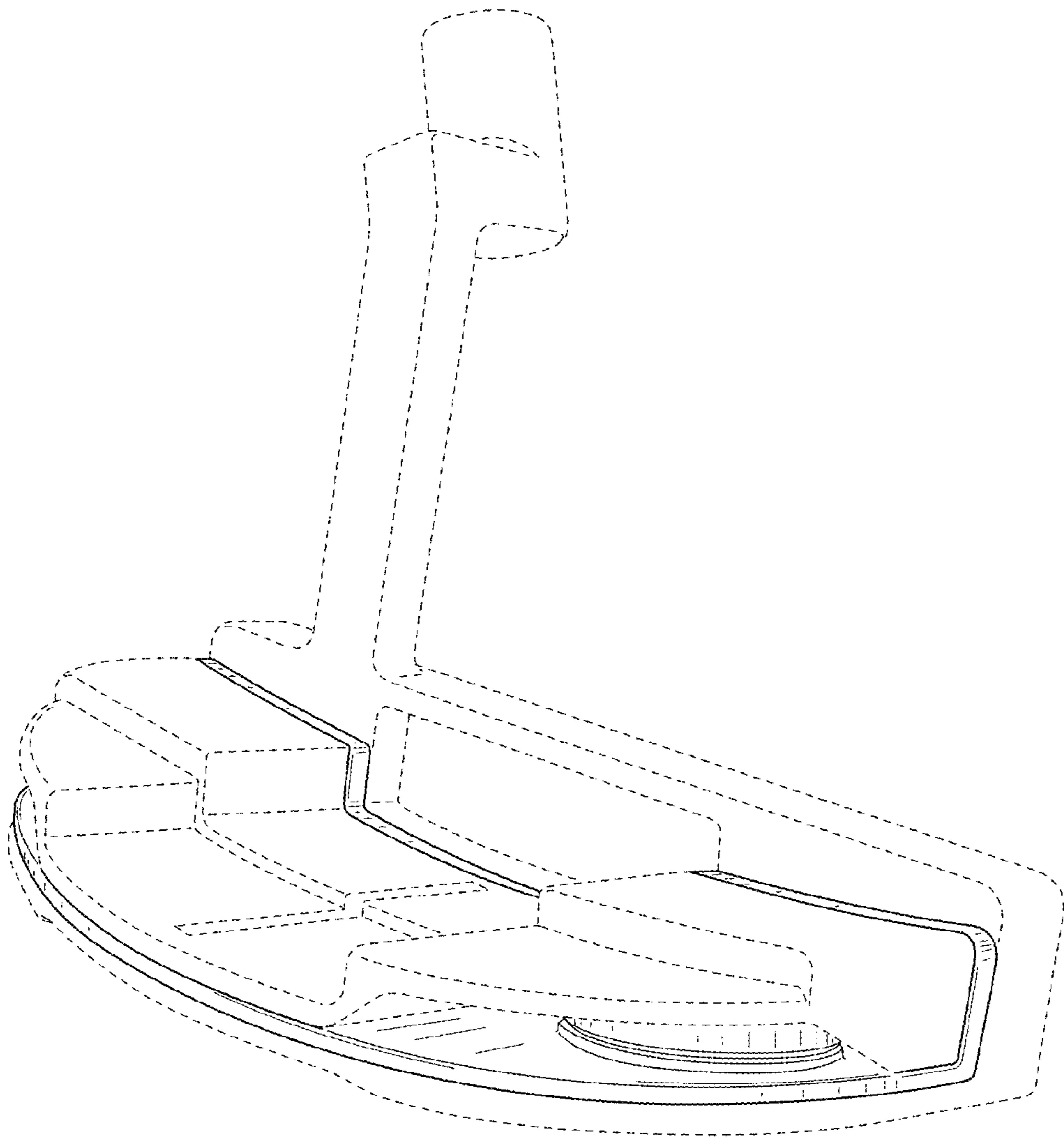


FIG. 1

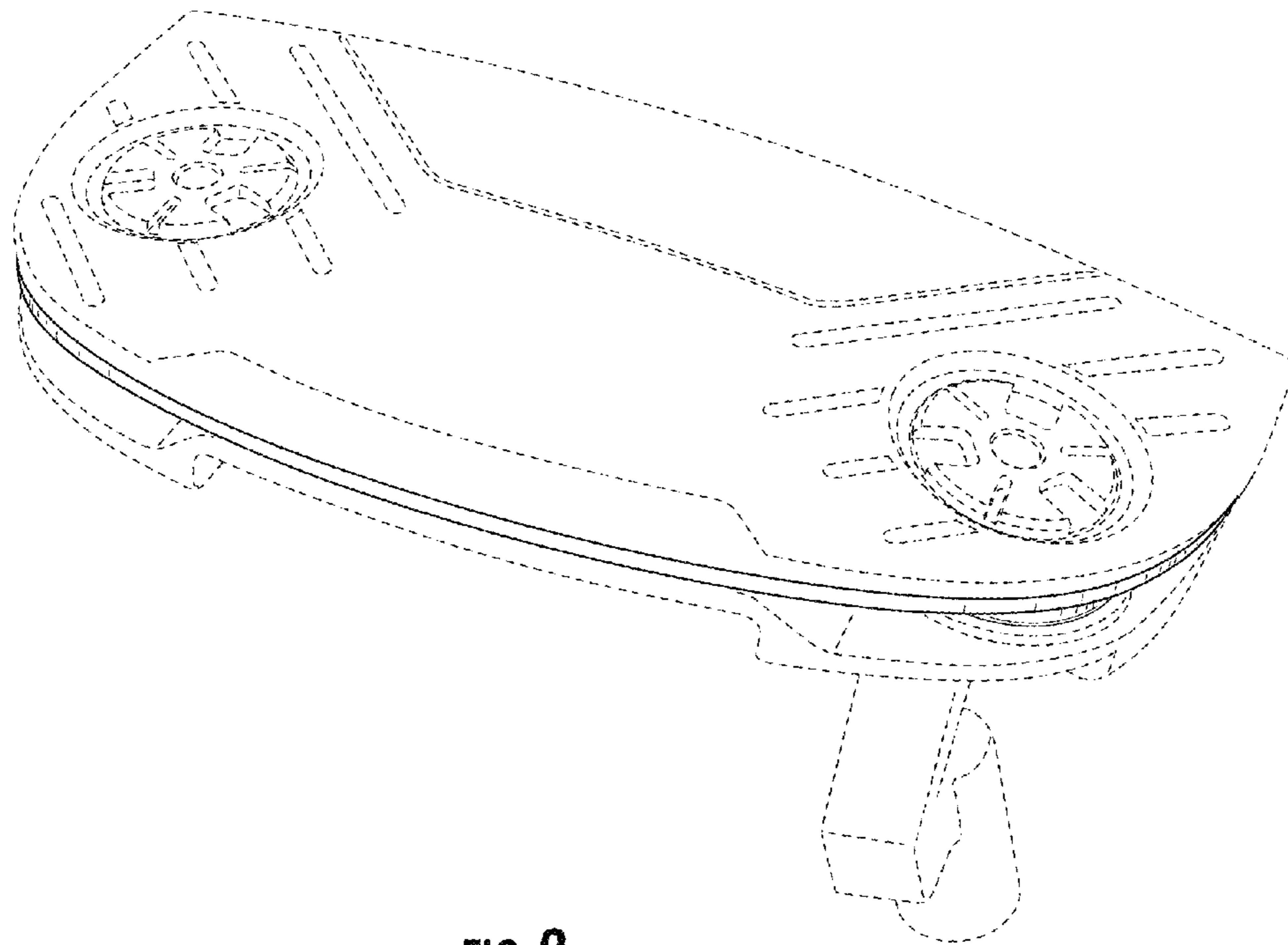


FIG. 2

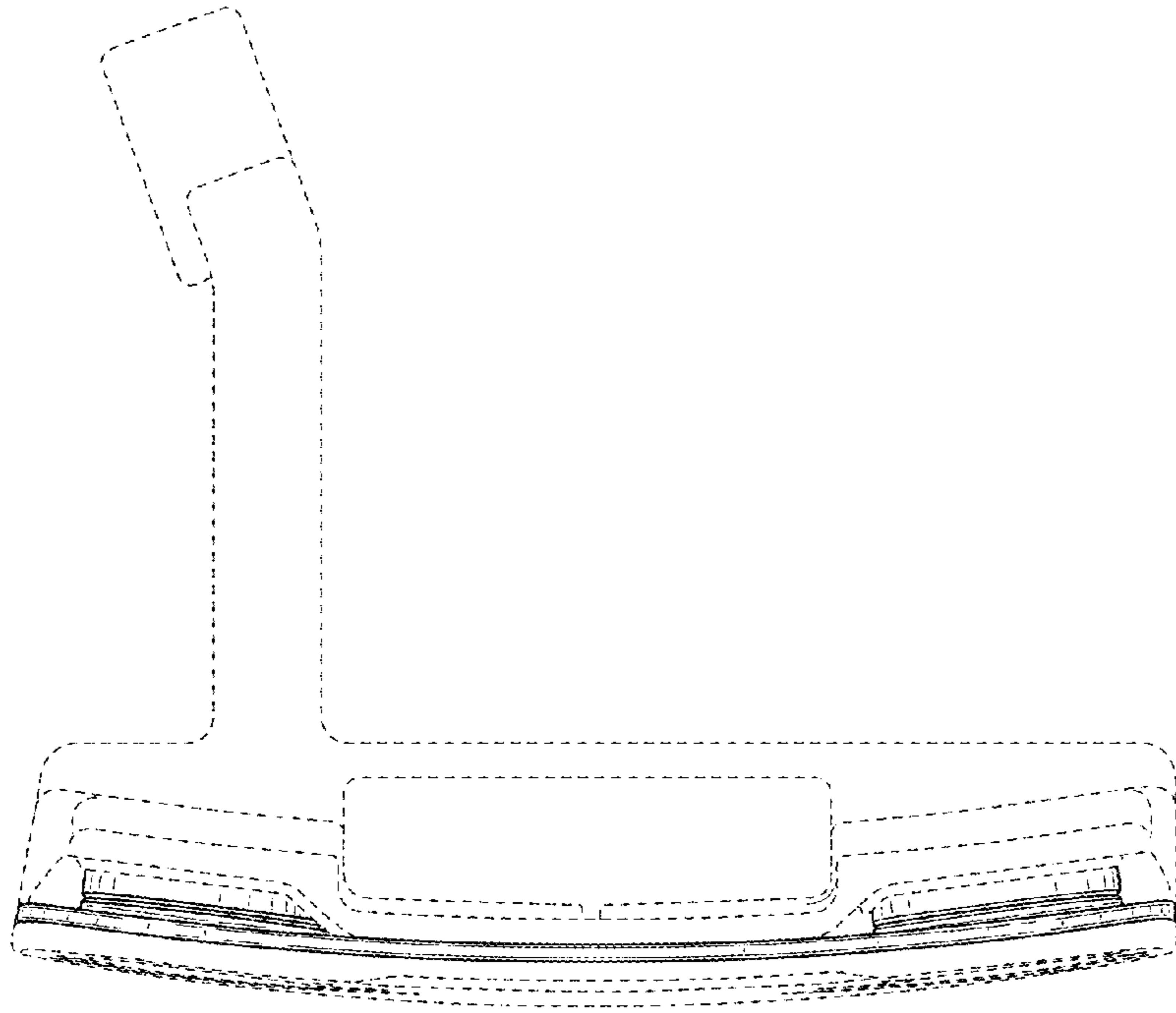


FIG. 3

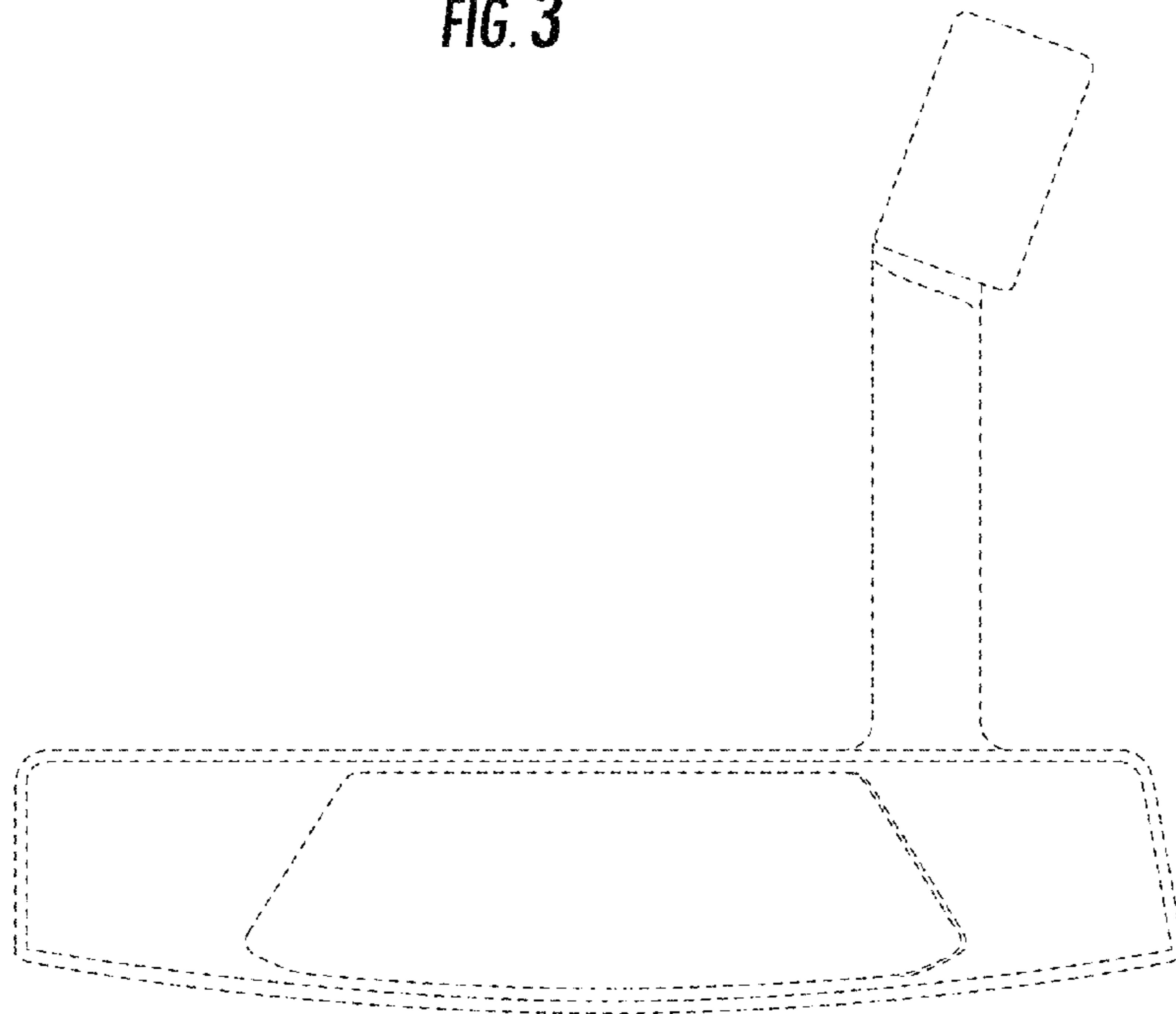


FIG. 4

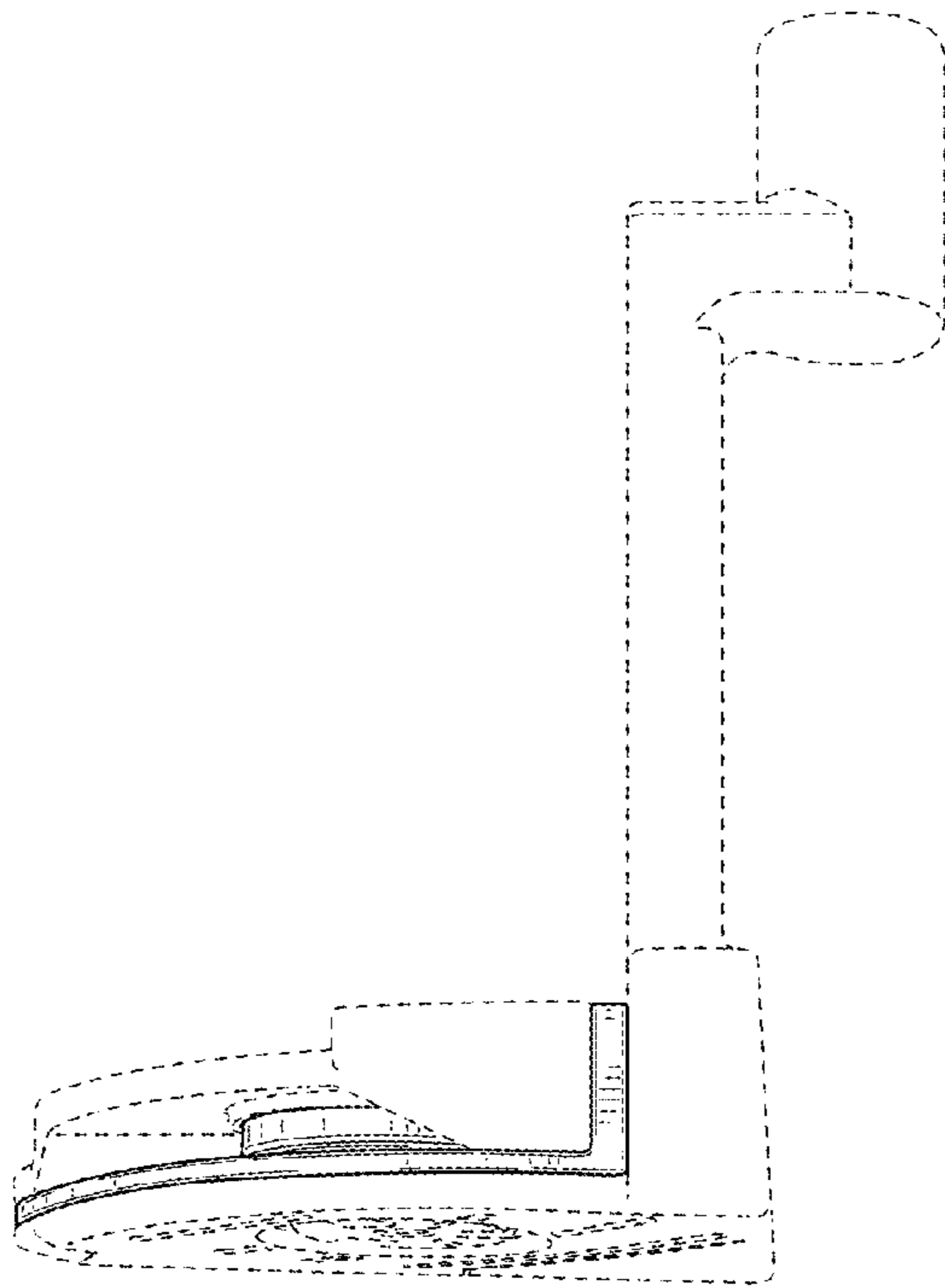


FIG. 5

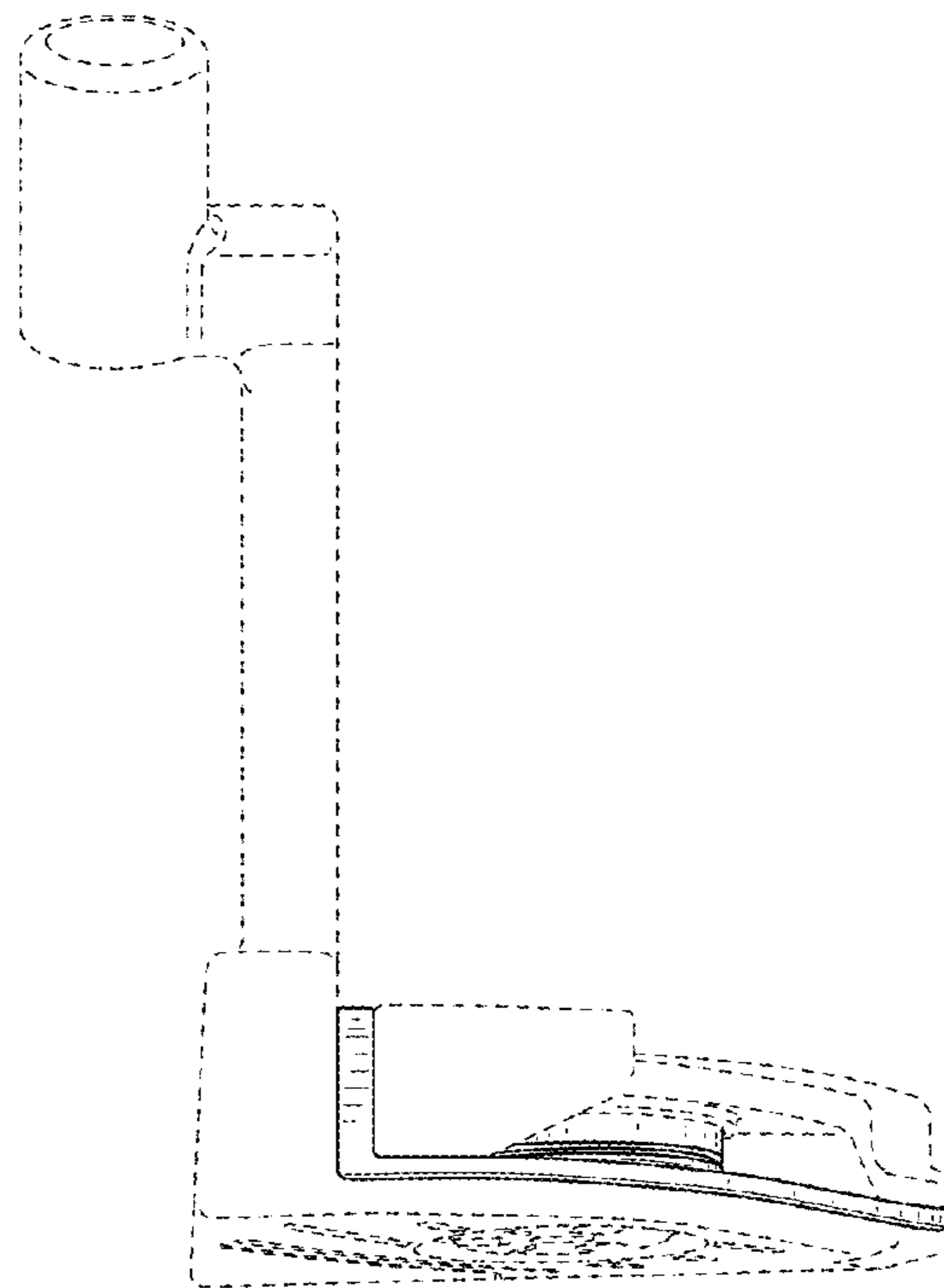


FIG. 6

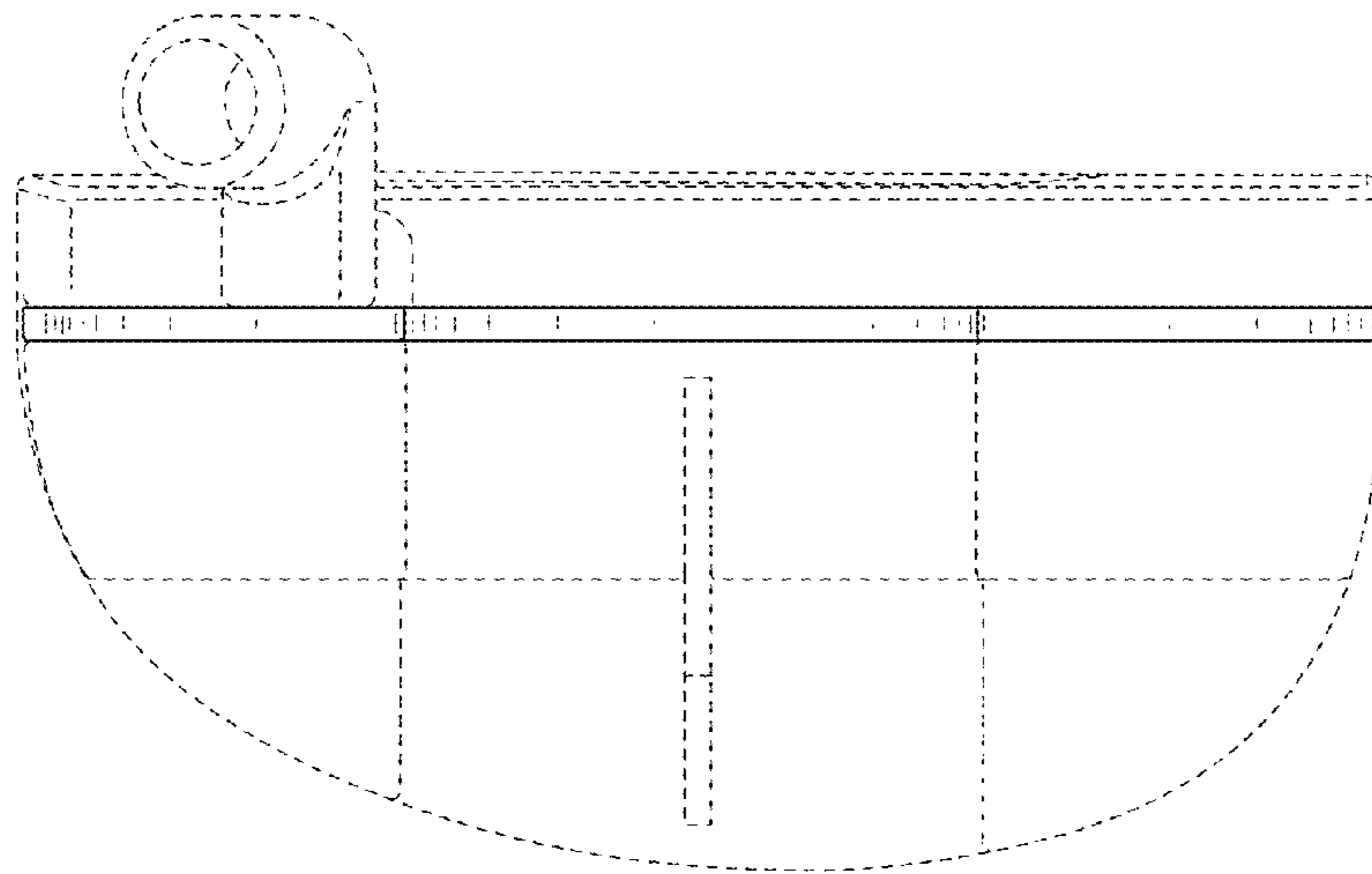


FIG. 7