



US00D763385S

(12) **United States Design Patent**
Cardani

(10) **Patent No.:** **US D763,385 S**

(45) **Date of Patent:** **** Aug. 9, 2016**

(54) **GOLF CLUB HEAD FOR A PUTTER**

(71) Applicant: **NIKE, Inc.**, Beaverton, OR (US)

(72) Inventor: **Jason Cardani**, Portland, OR (US)

(73) Assignee: **NIKE, Inc.**, Beaverton, OR (US)

(**) Term: **14 Years**

(21) Appl. No.: **29/525,259**

(22) Filed: **Apr. 28, 2015**

(51) **LOC (10) Cl.** **21-02**

(52) **U.S. Cl.**
USPC **D21/759**

(58) **Field of Classification Search**
USPC D21/736-746, 759
CPC A63B 53/00; A63B 53/04; A63B 53/007;
A63B 53/065; A63B 53/0487
See application file for complete search history.

(56) **References Cited**

U.S. PATENT DOCUMENTS

D350,177 S *	8/1994	Ramirez	D21/745
D510,395 S	10/2005	Mirafior et al.	
D532,845 S *	11/2006	Rollinson	D21/736
D534,974 S	1/2007	Haack	
D536,400 S	2/2007	DiBattista, Sr.	
D551,310 S *	9/2007	Kuan	D21/759
D564,607 S	3/2008	Oldknow et al.	
D568,954 S *	5/2008	Oldknow	D21/759
7,390,267 B2	6/2008	Grace	
D573,673 S *	7/2008	Noyes	D21/721
D574,908 S *	8/2008	Hettinger	D21/743
D577,398 S	9/2008	Hilton	
D582,497 S *	12/2008	Rollinson	D21/744
D589,575 S *	3/2009	Kim	D21/744
D590,034 S	4/2009	Foster et al.	
D590,035 S	4/2009	Hilton	
D590,461 S *	4/2009	Kim	D21/743
D591,371 S	4/2009	Hilton	
D591,807 S *	5/2009	Rollinson	D21/744

D595,373 S *	6/2009	Kim	D21/744
D603,006 S	10/2009	Foster et al.	
D621,458 S *	8/2010	Serrano	D21/736
D633,970 S	3/2011	Cardani	
D636,829 S *	4/2011	Cardani	D21/759
D636,830 S	4/2011	Cardani	
D658,245 S	4/2012	Oldknow et al.	
D670,774 S	11/2012	Seiff	
D688,341 S *	8/2013	Rollinson	D21/746
D691,226 S *	10/2013	Hilton	D21/746
D701,274 S *	3/2014	Rollinson	D21/736
D704,782 S *	5/2014	Rollinson	D21/736

(Continued)

OTHER PUBLICATIONS

Edwin Watts Golf Catalog, Spring 2010; pp. 7, published Spring 2010.

(Continued)

Primary Examiner — Mitchell Siegel

(74) *Attorney, Agent, or Firm* — Banner & Witcoff, Ltd.

(57) **CLAIM**

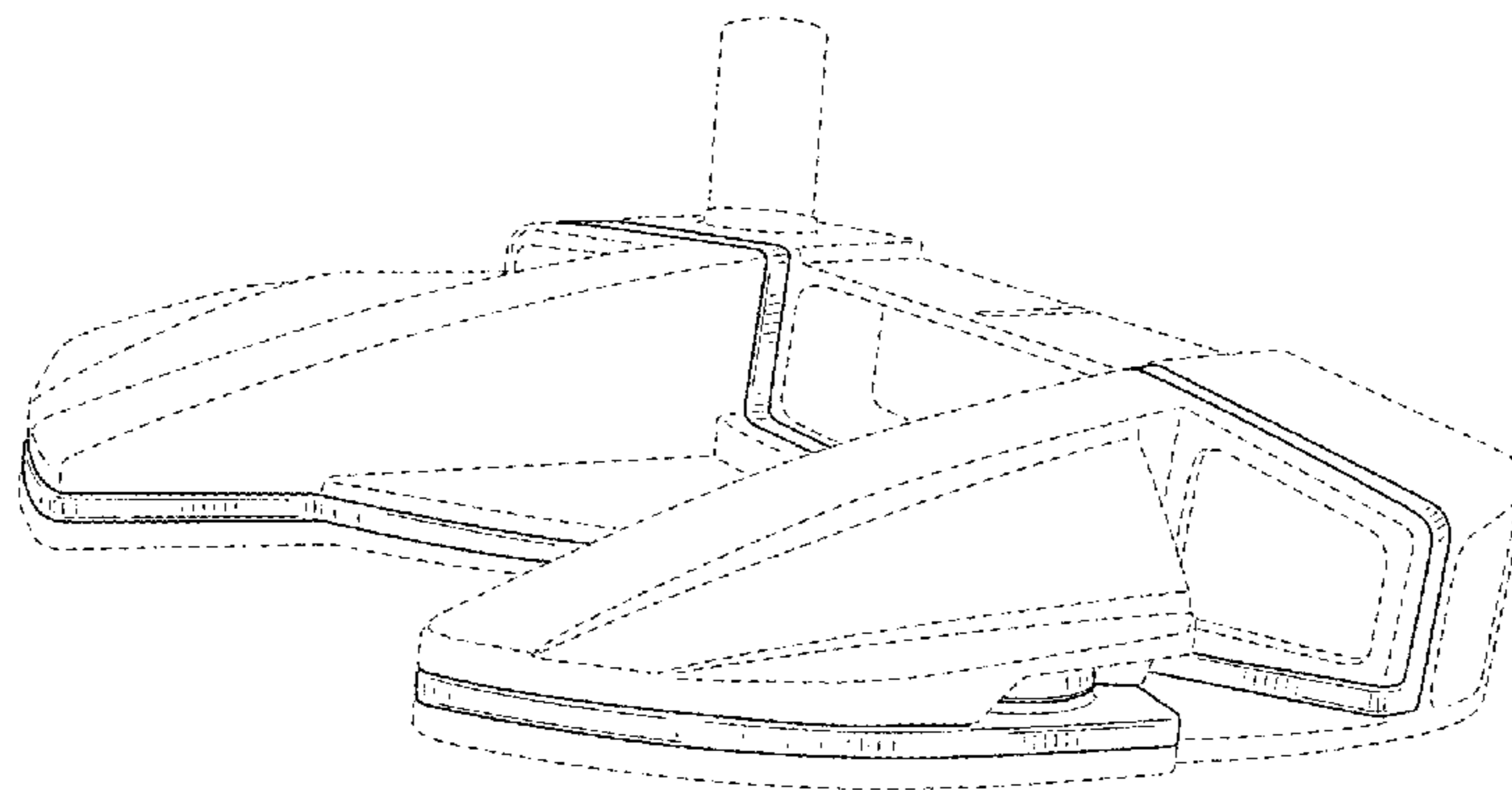
The ornamental design for a golf club head for a putter, as shown and described.

DESCRIPTION

FIG. 1 is rear perspective view of a golf club head for a putter showing my new design;
FIG. 2 is a bottom perspective view thereof;
FIG. 3 is a rear view thereof;
FIG. 4 is a front view thereof;
FIG. 5 is a toe end view thereof;
FIG. 6 is a heel end view thereof;
FIG. 7 is a top view thereof; and,
FIG. 8 is a bottom view thereof.

The broken lines showing the remainder of the golf club are for environmental purposes only and form no part of the claimed design.

1 Claim, 5 Drawing Sheets



(56)

References Cited

OTHER PUBLICATIONS

U.S. PATENT DOCUMENTS

D707,771 S 6/2014 Cameron
D719,622 S * 12/2014 Rollinson D21/746
D728,715 S * 5/2015 Cameron D21/736
D730,465 S 5/2015 Cameron
D731,605 S * 6/2015 Rollinson D21/736

Golfsmith Catalog, Spring 2010; pp. 25, published Spring 2010.
Golfsmith Catalog, Spring 2010; pp. 34, published Spring 2010.
Golfsmith Catalog, Spring 2010; pp. 29, published Spring 2010.

* cited by examiner

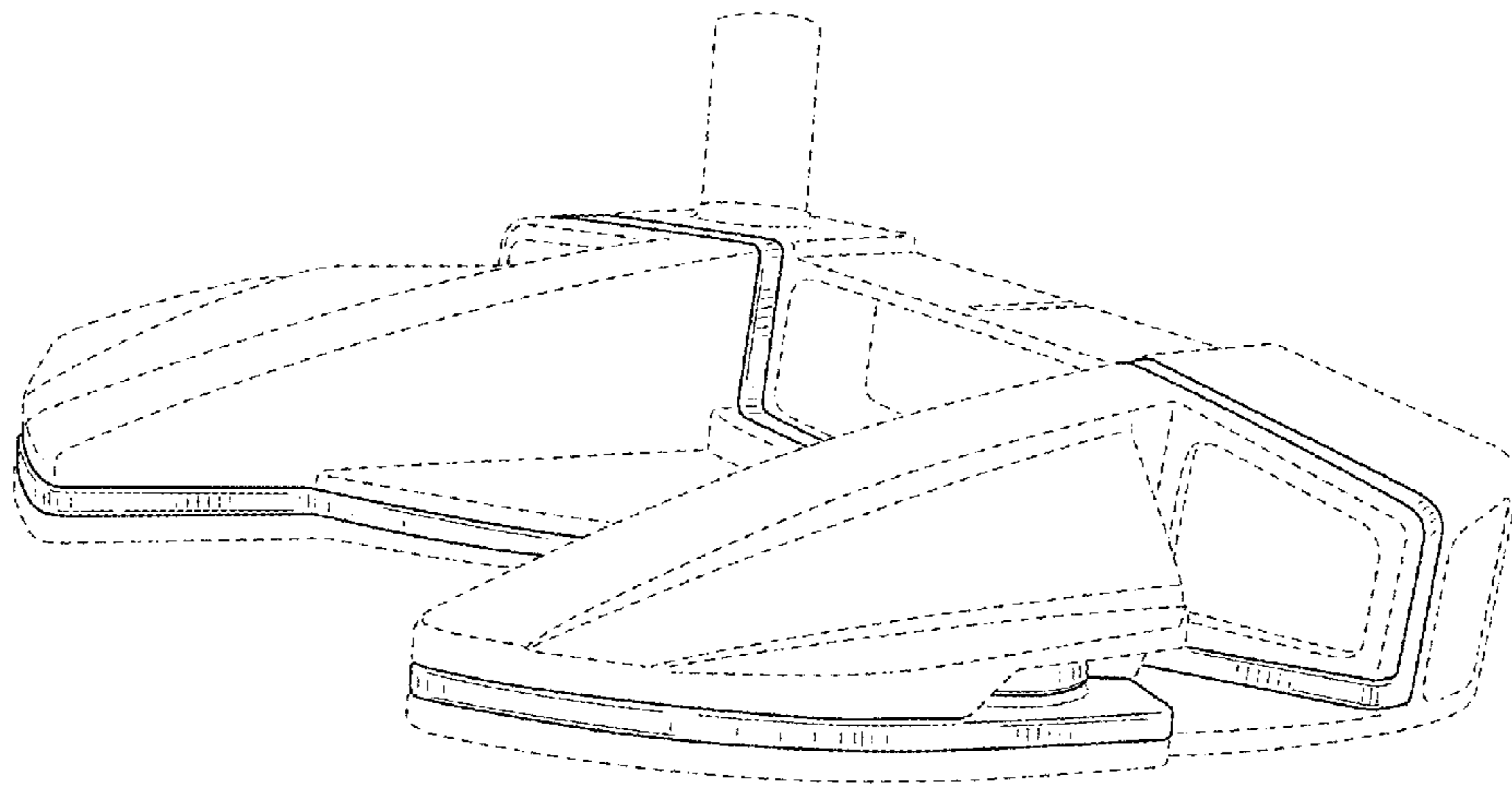


FIG. 1

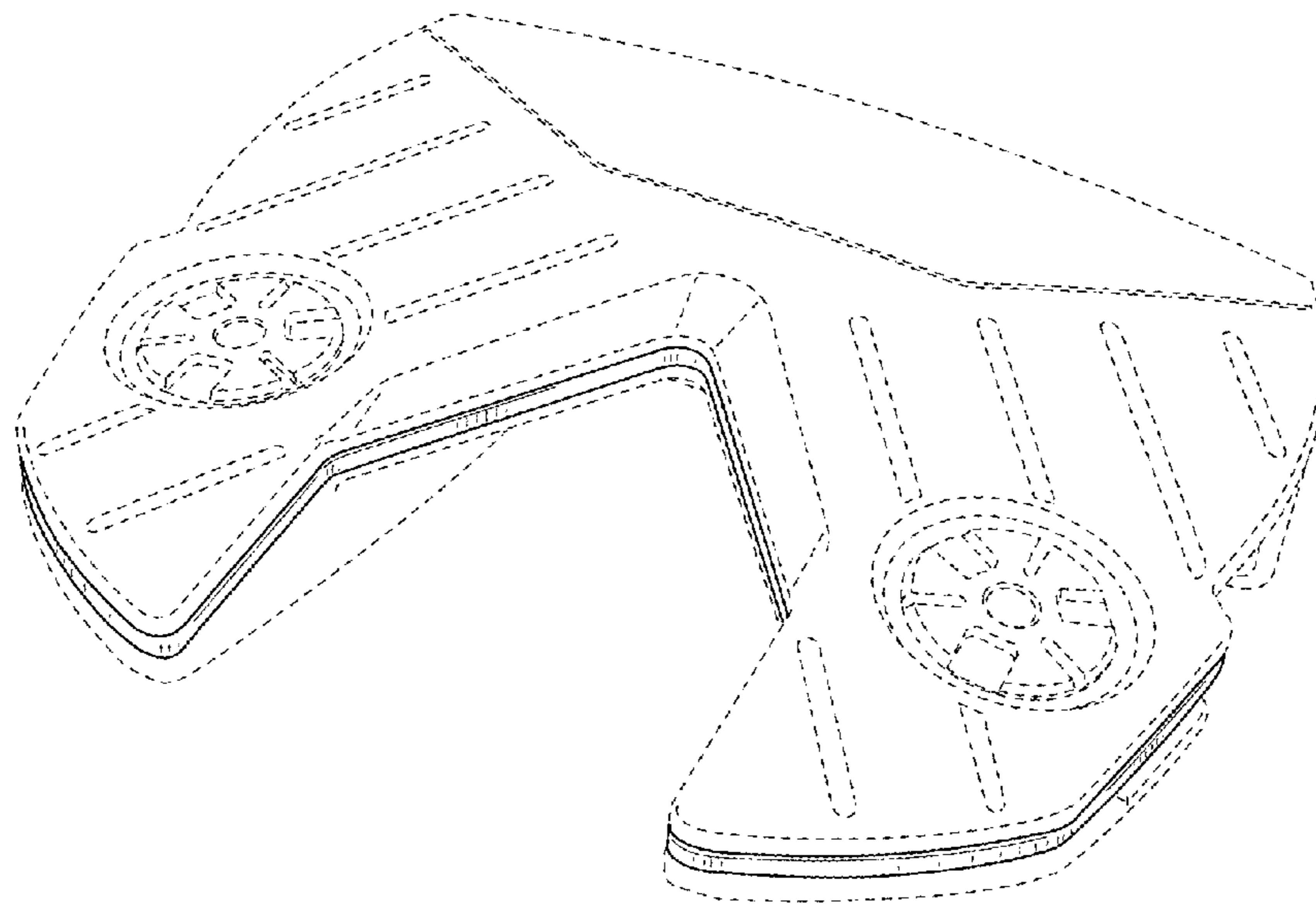


FIG. 2

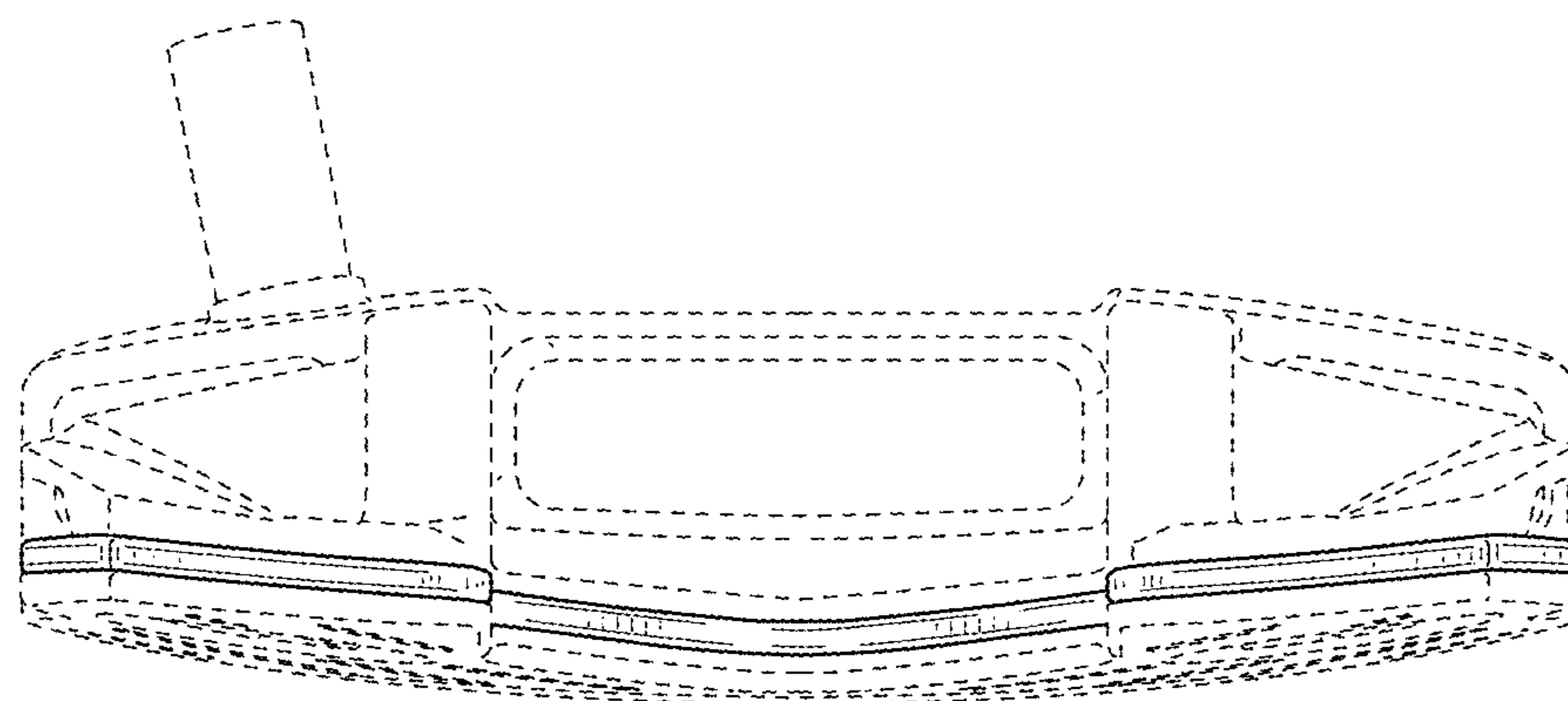


FIG. 3

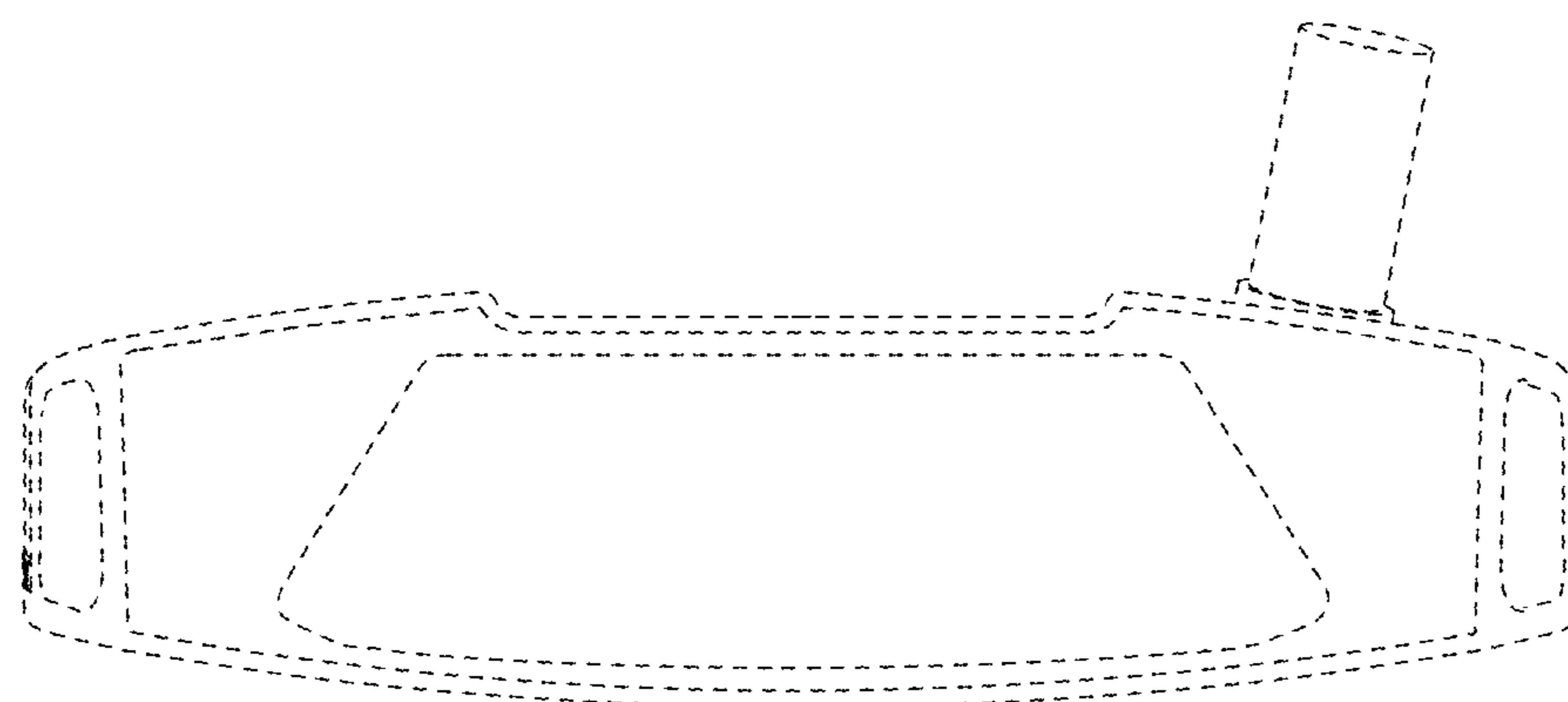


FIG. 4

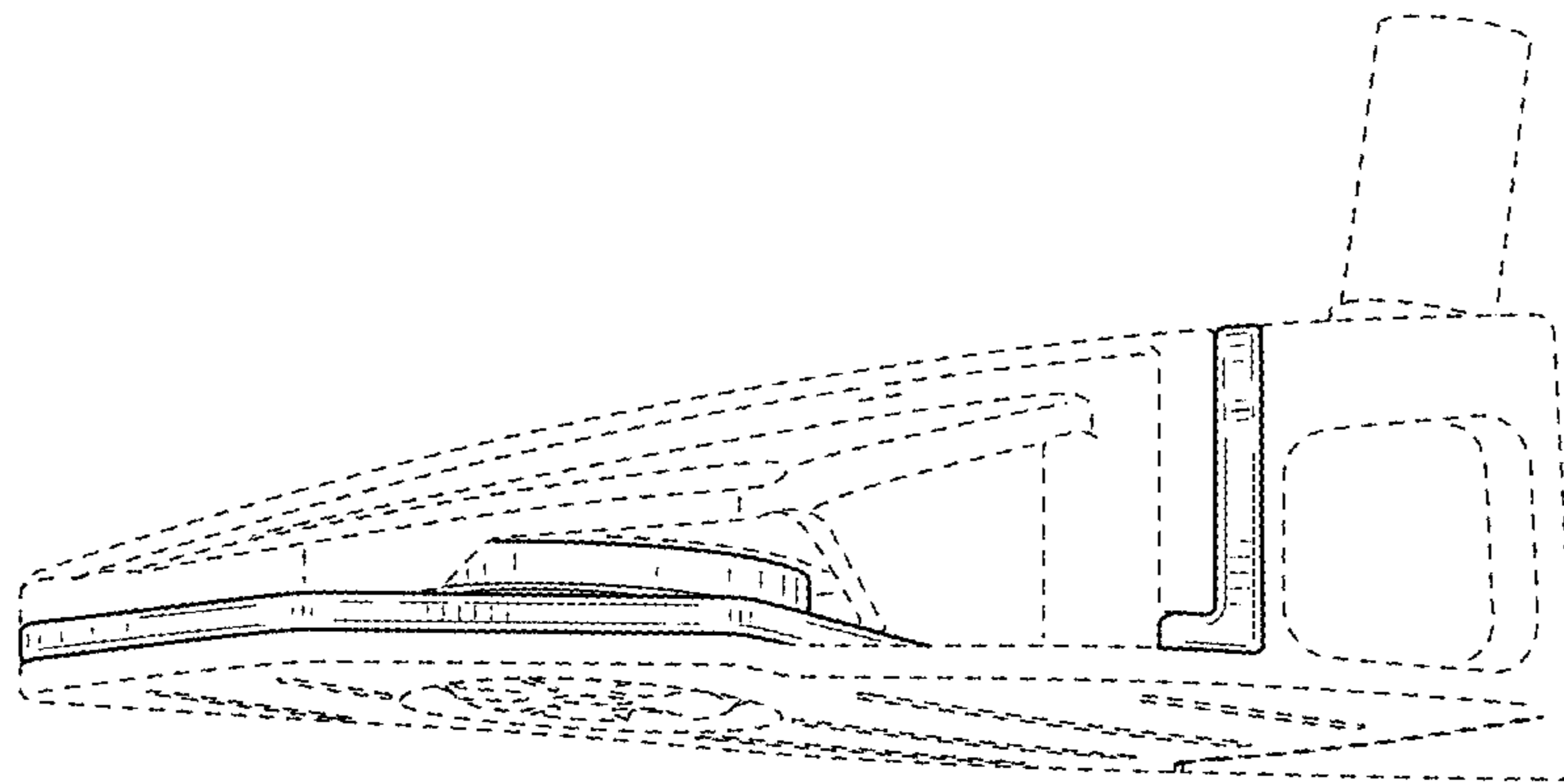


FIG. 5

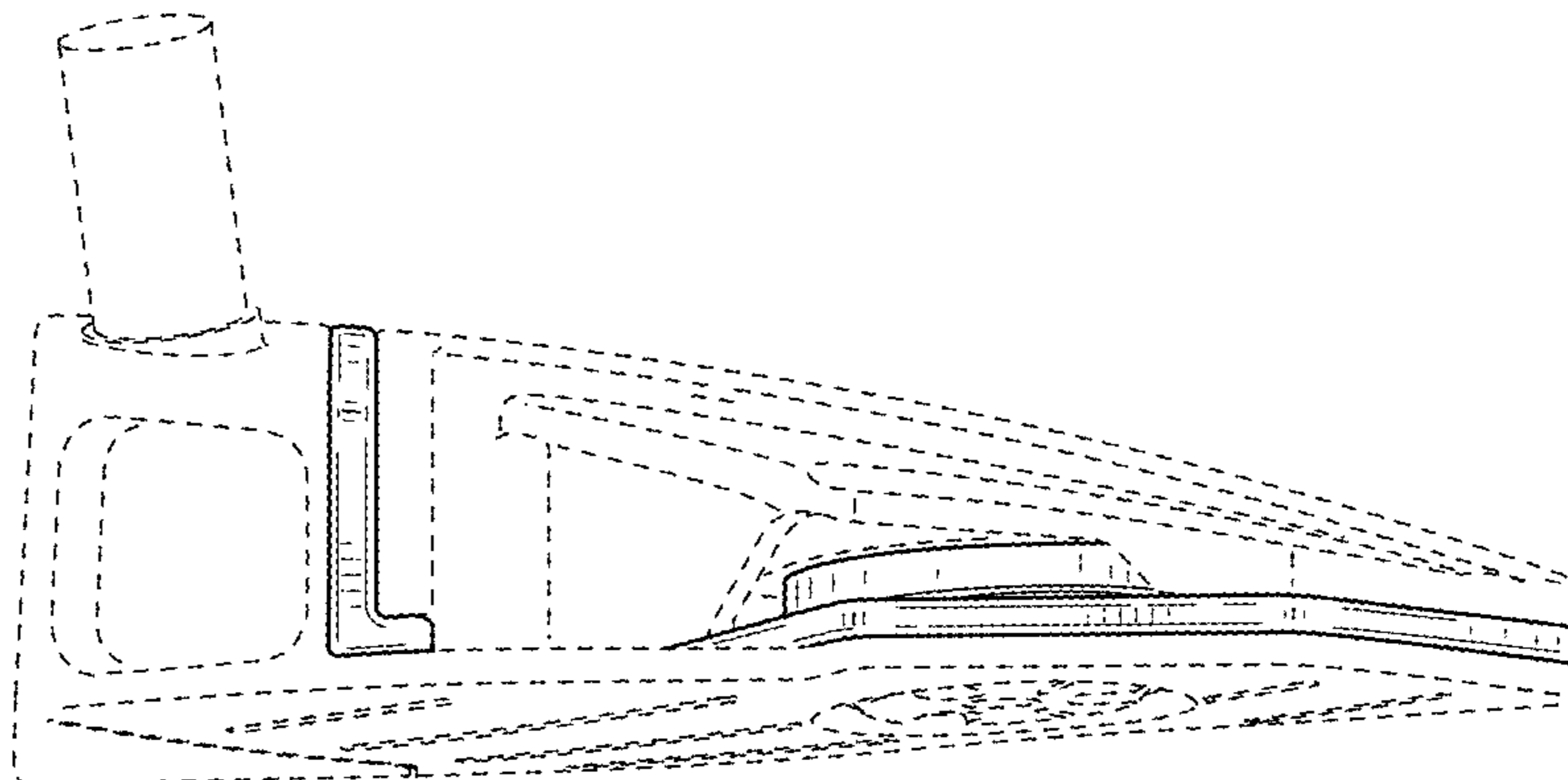


FIG. 6

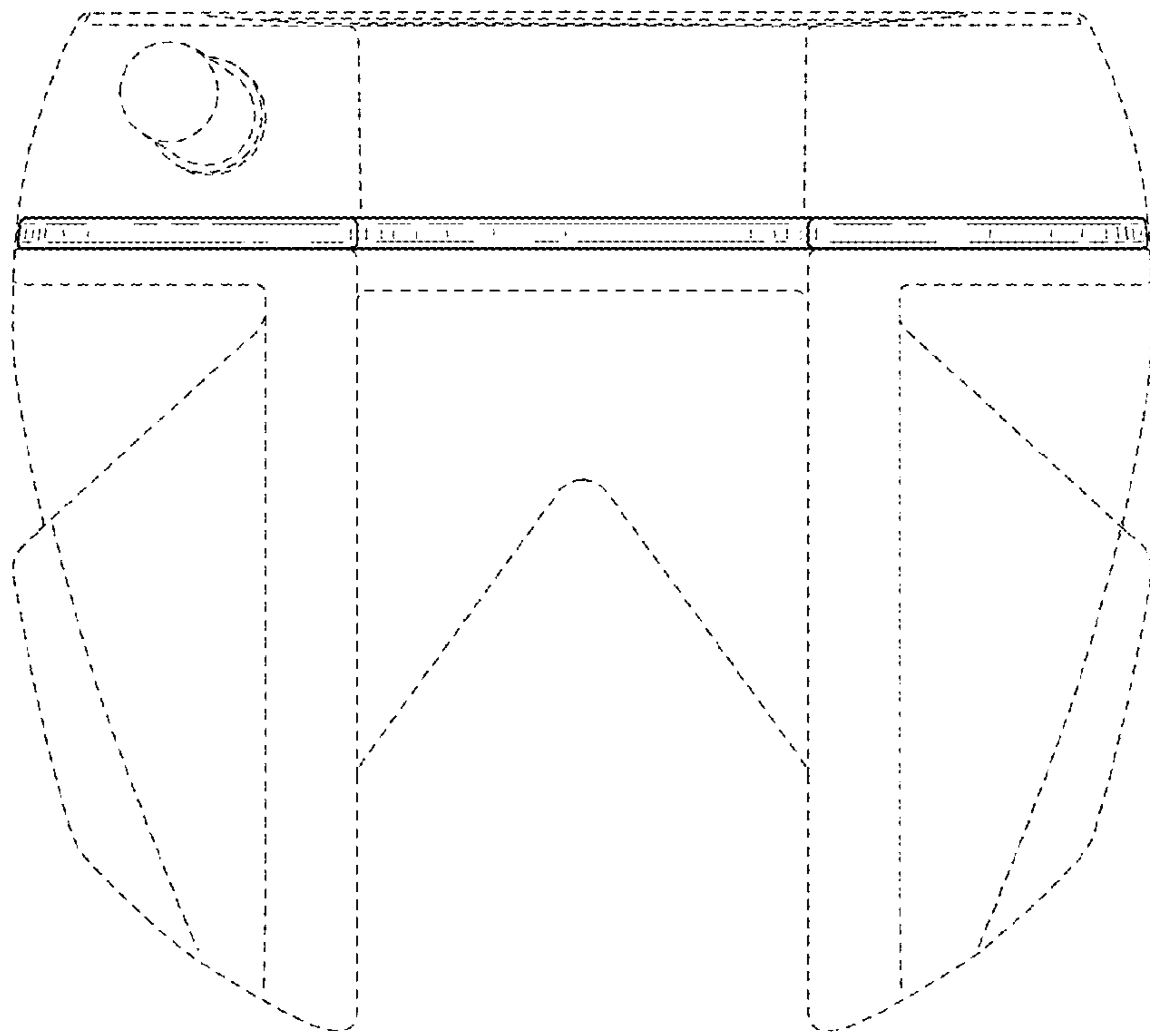


FIG. 7