



US00D763382S

(12) **United States Design Patent**  
**Cardani et al.**

(10) **Patent No.:** **US D763,382 S**

(45) **Date of Patent:** **\*\* Aug. 9, 2016**

(54) **GOLF CLUB HEAD FOR A PUTTER**

(71) Applicant: **NIKE, Inc.**, Beaverton, OR (US)

(72) Inventors: **Jason Cardani**, Portland, OR (US);  
**Andrew G. V. Oldknow**, Beaverton, OR (US)

(73) Assignee: **NIKE, Inc.**, Beaverton, OR (US)

(\*\*) Term: **14 Years**

(21) Appl. No.: **29/525,208**

(22) Filed: **Apr. 28, 2015**

(51) **LOC (10) Cl.** ..... **21-02**

(52) **U.S. Cl.**  
USPC ..... **D21/759**

(58) **Field of Classification Search**  
USPC ..... D21/736-746, 759  
CPC .. A63B 53/065; A63B 53/0487; A63B 53/00;  
A63B 53/007

See application file for complete search history.

(56) **References Cited**

**U.S. PATENT DOCUMENTS**

D506,238 S	6/2005	Rollinson	
D510,395 S *	10/2005	Miraflor	D21/759
D529,564 S *	10/2006	Grace	D21/759
D553,700 S	10/2007	Rollinson et al.	
D574,456 S *	8/2008	Chen	D21/759
D585,511 S *	1/2009	Cameron	D21/743
D605,242 S	12/2009	Franklin et al.	
D615,140 S	5/2010	Franklin et al.	
D642,643 S *	8/2011	Nicolette	D21/759
D648,407 S *	11/2011	Teramoto	D21/743
D661,754 S *	6/2012	Cameron	D21/759
D673,630 S *	1/2013	Schweigert	D21/752
D673,632 S *	1/2013	Schweigert	D21/759
D680,179 S *	4/2013	Solheim	D21/752

D696,739 S *	12/2013	Stokke	D21/759
8,608,587 B2 *	12/2013	Henrikson	A63B 53/0466 473/324
D707,771 S *	6/2014	Cameron	D21/759
D714,894 S *	10/2014	Tang	D21/759
D720,418 S *	12/2014	Chen	D21/759
D730,465 S *	5/2015	Cameron	D21/759

**OTHER PUBLICATIONS**

Edwin Watts Golf Catalog, Spring 2010; pp. 7, published Spring 2010.

Golfsmith Catalog, Spring 2010; pp. 25, published Spring 2010.

Golfsmith Catalog, Spring 2010; pp. 29, published Spring 2010.

Golfsmith Catalog, Spring 2010; pp. 34, published Spring 2010.

\* cited by examiner

*Primary Examiner* — Mitchell Siegel

(74) *Attorney, Agent, or Firm* — Banner & Witcoff, Ltd.

(57) **CLAIM**

The ornamental design for a golf club head for a putter, as shown and described.

**DESCRIPTION**

FIG. 1 is a bottom perspective view of a golf club head for a putter showing our new design;

FIG. 2 is a bottom view thereof;

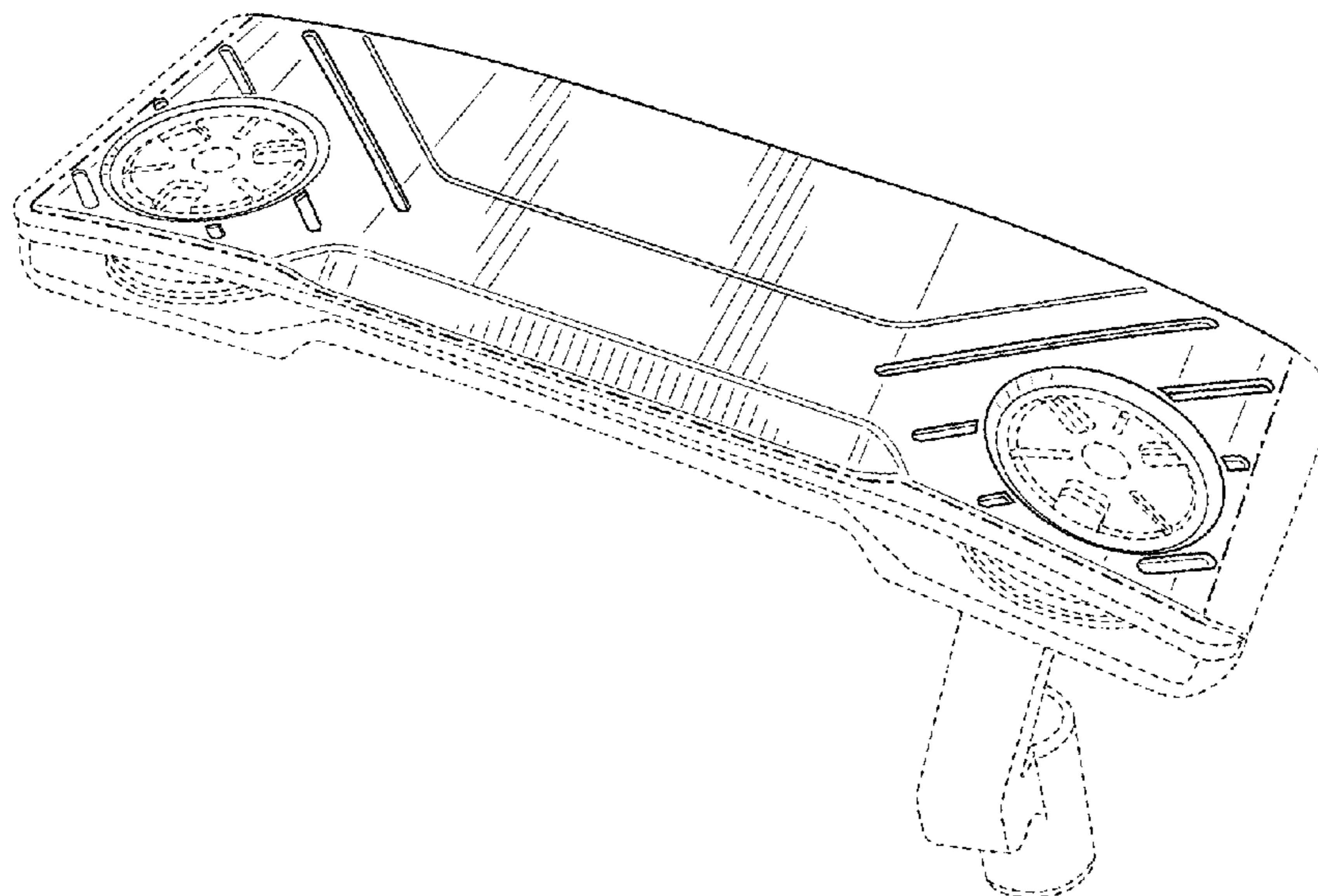
FIG. 3 is a rear view thereof;

FIG. 4 is a toe end view thereof; and,

FIG. 5 is a heel end view thereof.

The broken lines immediately adjacent to the shaded area represent unclaimed boundaries of the design. The unshaded regions within or adjacent to the shaded area form no part of the claimed design. The broken lines showing the remainder of the golf club are for environmental purposes only and form no part of the claimed design.

**1 Claim, 4 Drawing Sheets**



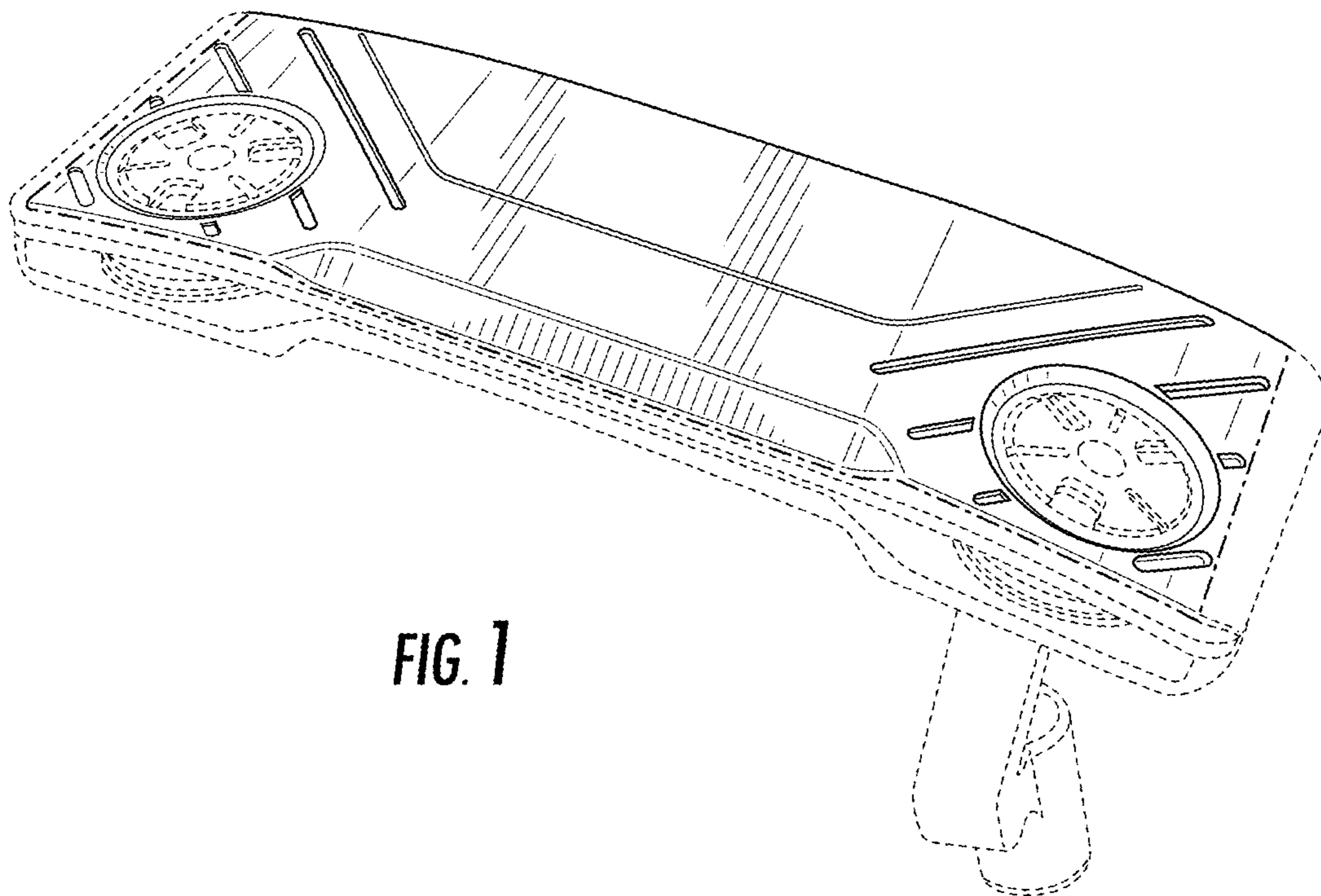


FIG. 1

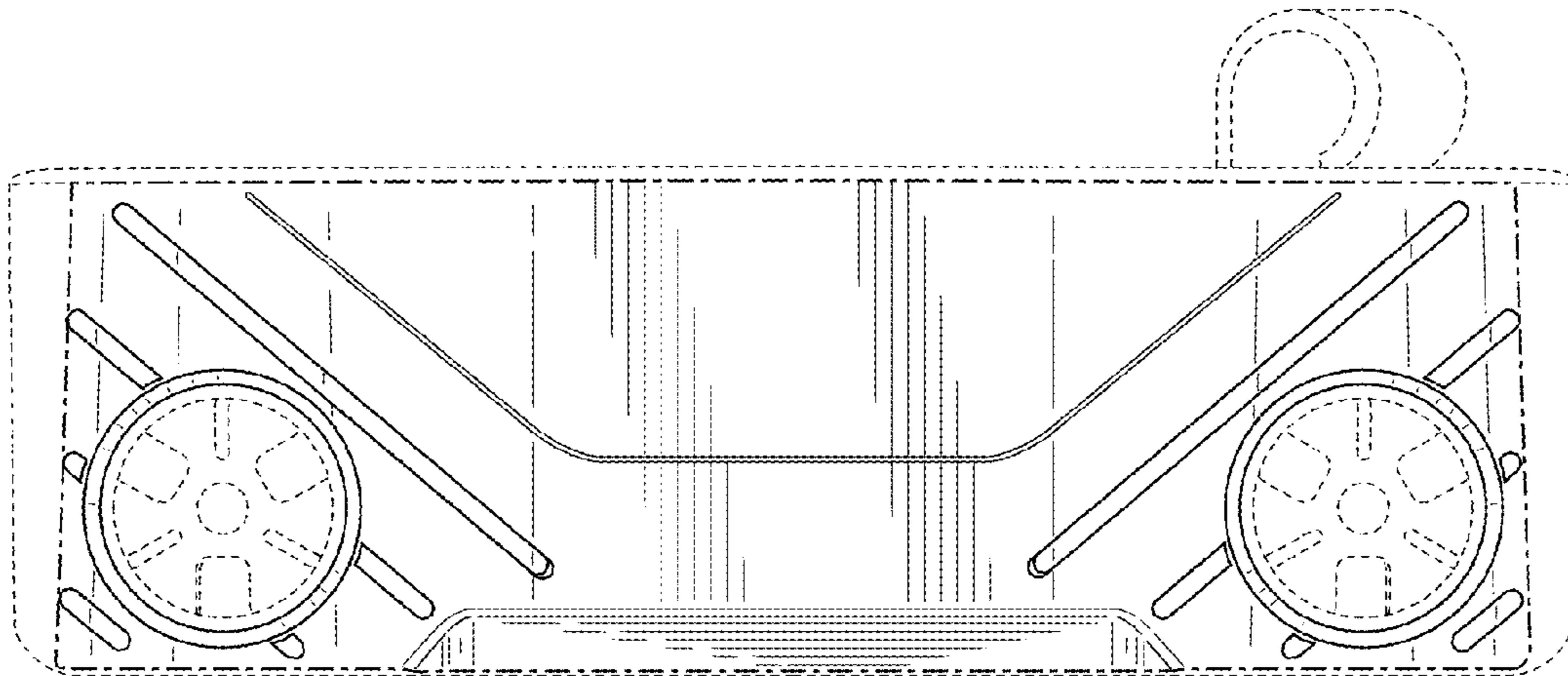
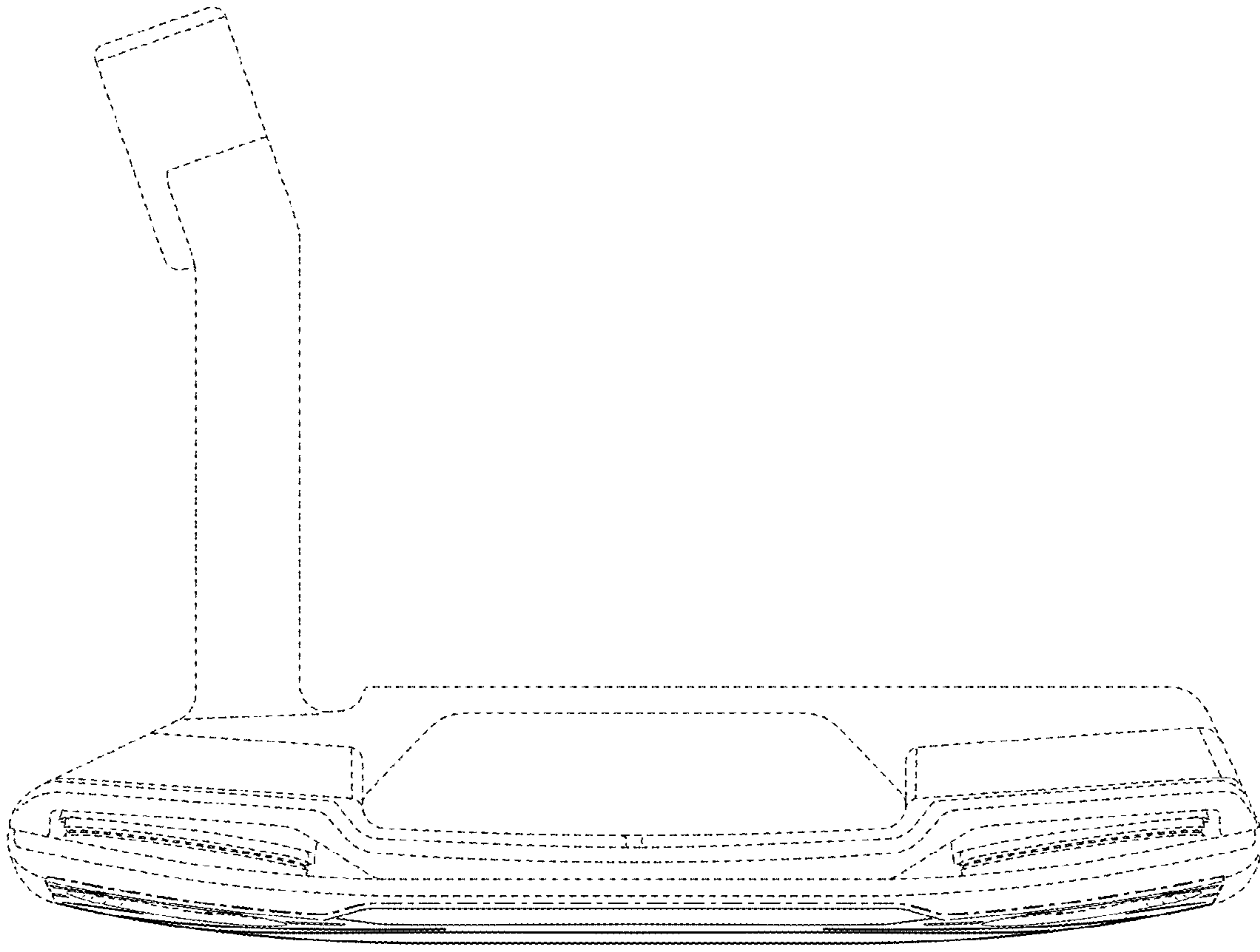
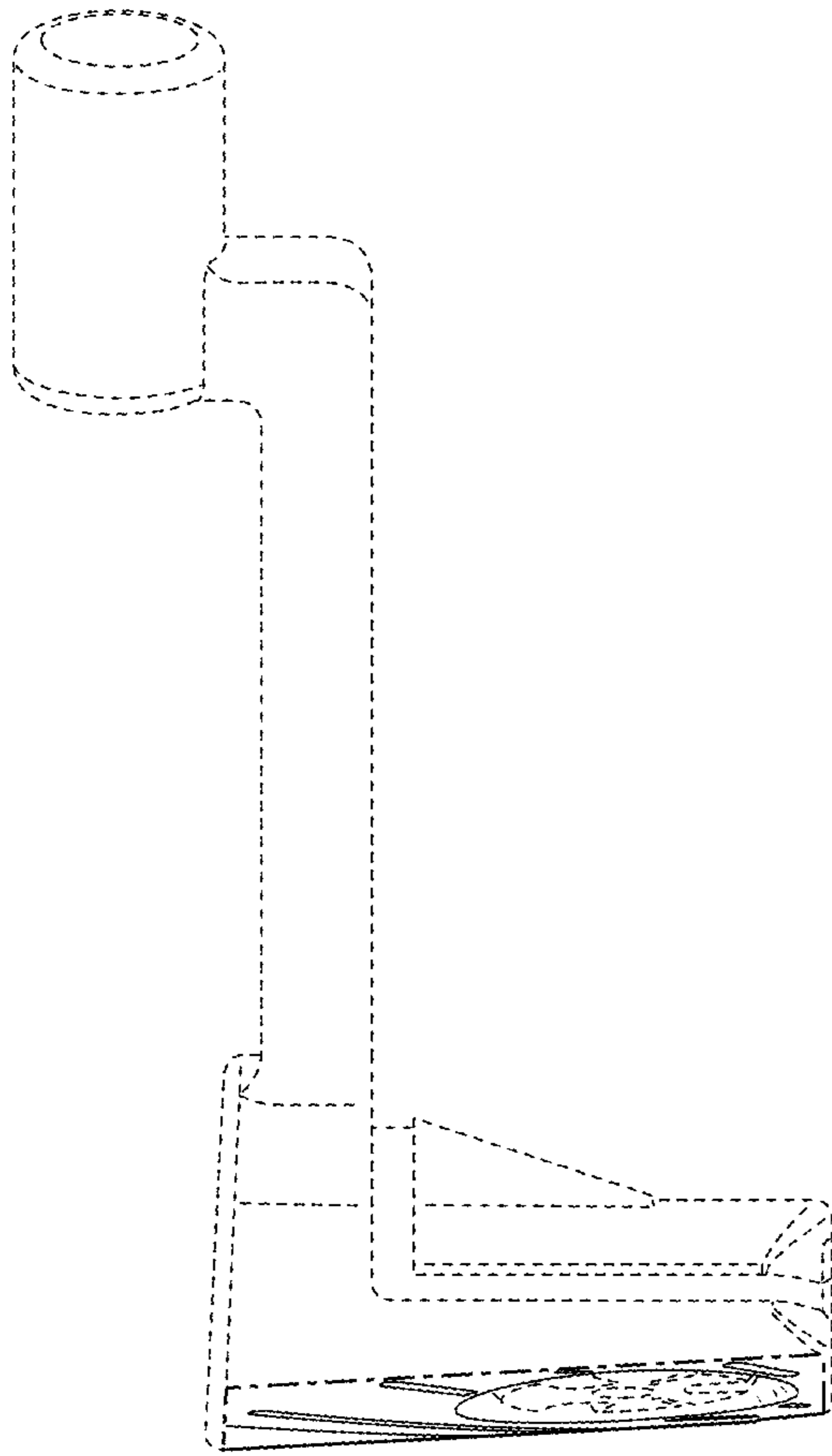


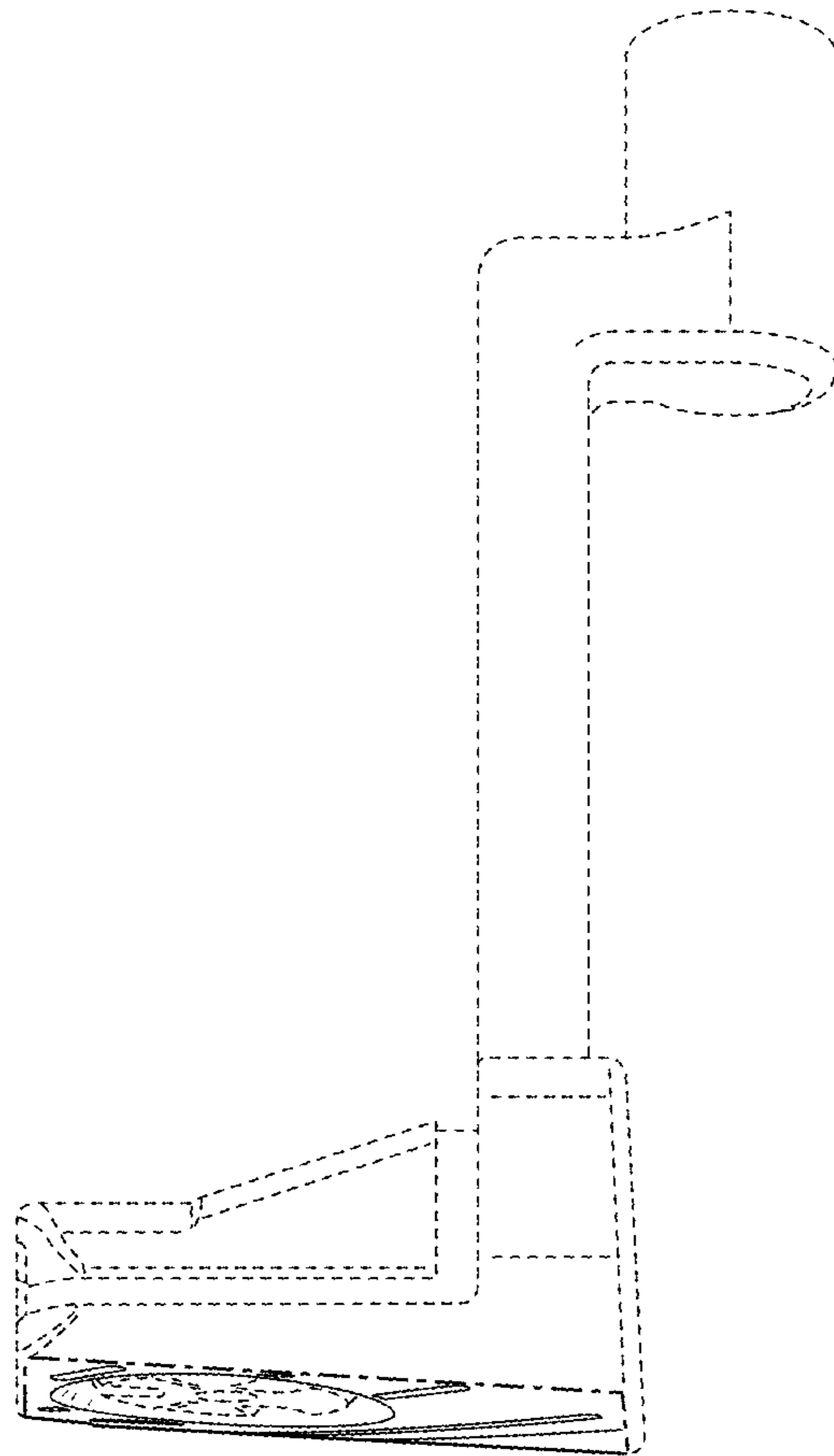
FIG. 2



**FIG. 3**



**FIG. 4**



**FIG. 5**