

US00D763379S

(12) **United States Design Patent**
Oldknow et al.

(10) **Patent No.:** **US D763,379 S**

(45) **Date of Patent:** **** Aug. 9, 2016**

(54) **GOLF CLUB HEAD**

(71) Applicant: **NIKE, Inc.**, Beaverton, OR (US)

(72) Inventors: **Andrew G. V. Oldknow**, Beaverton, OR (US); **Michael Prichard**, Portland, OR (US); **Michael G. Taylor**, Granbury, TX (US)

(73) Assignee: **NIKE, Inc.**, Beaverton, OR (US)

(**) Term: **14 Years**

(21) Appl. No.: **29/525,195**

(22) Filed: **Apr. 28, 2015**

(51) **LOC (10) Cl.** **21-02**

(52) **U.S. Cl.**
USPC **D21/759**

(58) **Field of Classification Search**
USPC D21/747-751, 759
CPC .. A63B 53/04; A63B 53/047; A63B 53/0475;
A63B 2053/0479; A63B 53/00
See application file for complete search history.

(56) **References Cited**

U.S. PATENT DOCUMENTS

D137,814 S	5/1944	Newsome	
D346,840 S *	5/1994	Fenton	D21/751
D362,887 S *	10/1995	Blough	D21/747
D387,830 S	12/1997	Gilbert	
D395,476 S *	6/1998	Pond	D21/747
D399,276 S *	10/1998	Hettinger	D21/747
D411,274 S	6/1999	Renegar	
D412,545 S	8/1999	Best et al.	
5,971,866 A *	10/1999	Adams	A63B 53/04 473/328
D426,276 S *	6/2000	Besnard	D21/747
D449,866 S *	10/2001	Miller	D21/747
D457,211 S *	5/2002	Bakke	D21/747
D458,330 S	6/2002	Laeri, Jr.	
D465,253 S	11/2002	Best	
D468,382 S *	1/2003	Wahl	D21/747

D469,140 S	1/2003	Best	
D473,605 S *	4/2003	Petersen	D21/747
D475,107 S	5/2003	Madore	
D476,048 S *	6/2003	Cleveland	D21/747
D476,050 S *	6/2003	Walker	D21/759
D476,707 S *	7/2003	Walker	D21/747
D479,568 S *	9/2003	Rodgers	D21/747
D491,241 S *	6/2004	Long	D21/747
D492,376 S	6/2004	Nicolette et al.	
D499,779 S	12/2004	Mahaffey et al.	
D503,201 S	3/2005	Wood et al.	

(Continued)

OTHER PUBLICATIONS

Edwin Watts Golf Catalog, Spring 2010; pp. 7, published Spring 2010.

(Continued)

Primary Examiner — Mitchell Siegel

(74) *Attorney, Agent, or Firm* — Banner & Witcoff, Ltd.

(57) **CLAIM**

The ornamental design for a golf club head, as shown and described.

DESCRIPTION

FIG. 1 is a perspective view of a golf club head showing my new design;

FIG. 2 is a front view thereof;

FIG. 3 is a rear view thereof;

FIG. 4 is a toe end view thereof;

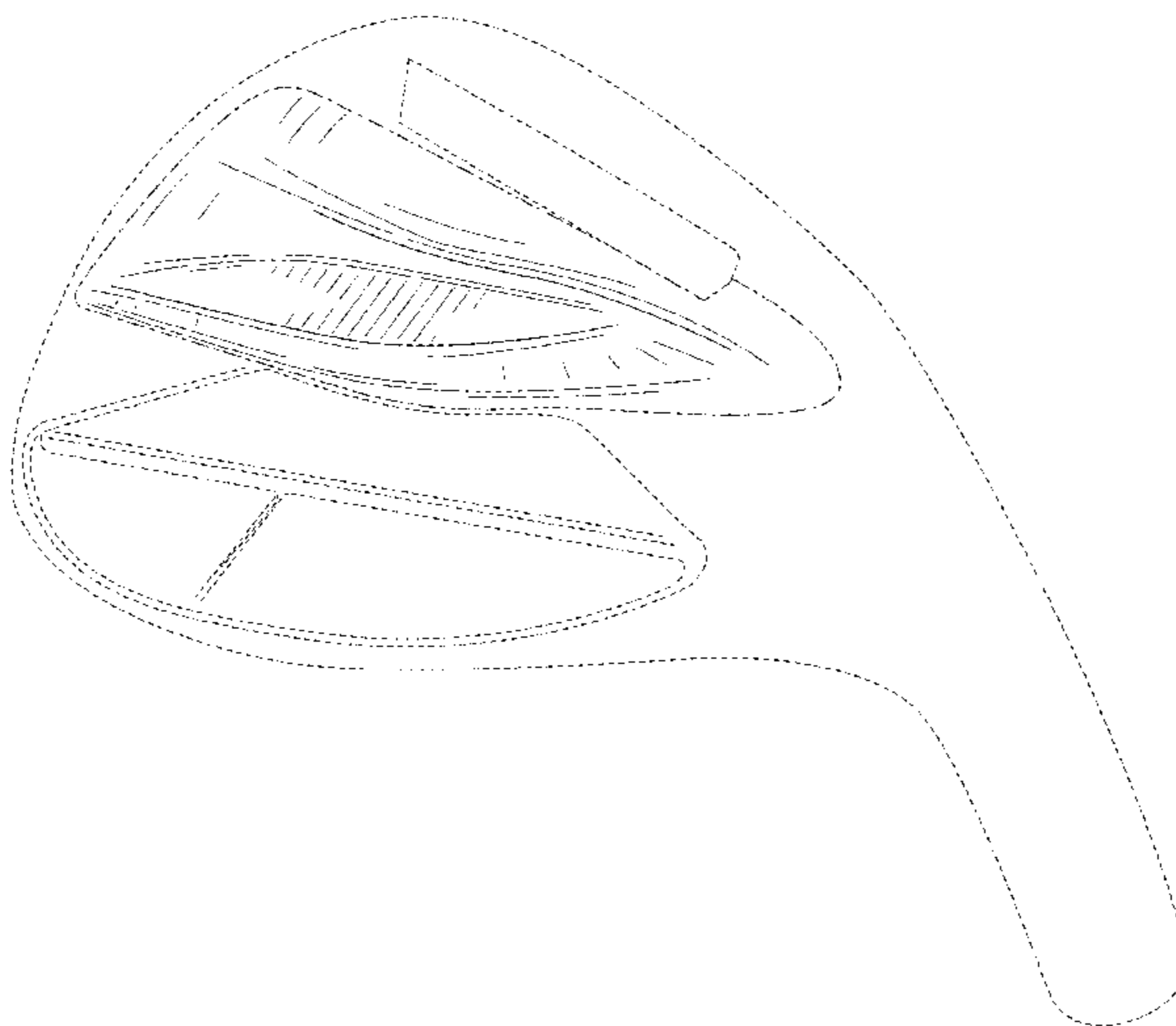
FIG. 5 is a heel end view thereof;

FIG. 6 is a top view thereof; and,

FIG. 7 is a bottom view thereof.

The broken lines immediately adjacent to the shaded area represent unclaimed boundaries of the design. The unshaded regions within or adjacent to the shaded area form no part of the claimed design. The broken lines showing the remainder of the golf club are for environmental purposes only and form no part, of the claimed design.

1 Claim, 4 Drawing Sheets



(56)

References Cited

U.S. PATENT DOCUMENTS

D503,202 S 3/2005 Wood et al.
 D503,204 S * 3/2005 Nicolette D21/749
 D511,194 S * 11/2005 Roberts D21/747
 D516,649 S 3/2006 Imamoto
 D517,626 S * 3/2006 Gilbert D21/747
 D517,629 S 3/2006 Madore et al.
 D531,689 S 11/2006 Gilbert et al.
 D531,690 S 11/2006 Gilbert et al.
 D533,610 S * 12/2006 Cleveland D21/747
 D537,494 S 2/2007 Jertson et al.
 D549,797 S 8/2007 Oldknow
 D550,317 S 9/2007 Oldknow
 D580,506 S * 11/2008 Chick D21/759
 D584,371 S * 1/2009 Chick D21/759
 D589,106 S * 3/2009 Oldknow D21/759
 D596,251 S 7/2009 Guerrette et al.
 D596,255 S 7/2009 Oldknow
 D606,607 S * 12/2009 Cooper D21/759
 D618,295 S 6/2010 Llewellyn et al.
 D618,743 S 6/2010 Roach et al.
 D619,183 S 7/2010 Llewellyn et al.
 D619,184 S * 7/2010 Llewellyn D21/759
 D619,667 S * 7/2010 Cleveland D21/747
 D622,344 S 8/2010 Oldknow et al.
 D622,345 S 8/2010 Oldknow et al.
 D623,711 S 9/2010 Kadoya

D628,257 S 11/2010 Albertsen et al.
 D630,278 S 1/2011 Albertsen et al.
 D630,696 S 1/2011 Albertsen et al.
 D631,119 S 1/2011 Albertsen et al.
 D647,986 S 11/2011 Atwell et al.
 D655,363 S 3/2012 Vrska
 D660,390 S 5/2012 Llewellyn
 D670,779 S 11/2012 Oldknow et al.
 D672,830 S 12/2012 Voshall et al.
 D682,377 S 5/2013 Voshall et al.
 D690,379 S * 9/2013 Cleveland D21/747
 D696,367 S 12/2013 Taylor et al.
 D704,288 S 5/2014 Cardani et al.
 D704,290 S 5/2014 Cardani et al.
 D708,278 S 7/2014 Saliba et al.
 D708,282 S 7/2014 Oldknow
 D709,576 S 7/2014 Oldknow
 D709,974 S 7/2014 Oldknow
 D715,881 S 10/2014 Roche et al.
 D716,930 S 11/2014 Ramaker et al.
 D720,026 S 12/2014 Llewellyn et al.
 D738,448 S * 9/2015 Asatsuma D21/759

OTHER PUBLICATIONS

Golfsmith Catalog, Spring 2010; pp. 25, published Spring 2010.
 Golfsmith Catalog, Spring 2010; pp. 34, published Spring 2010.
 Golfsmith Catalog, Spring 2010; pp. 29, published Spring 2010.

* cited by examiner

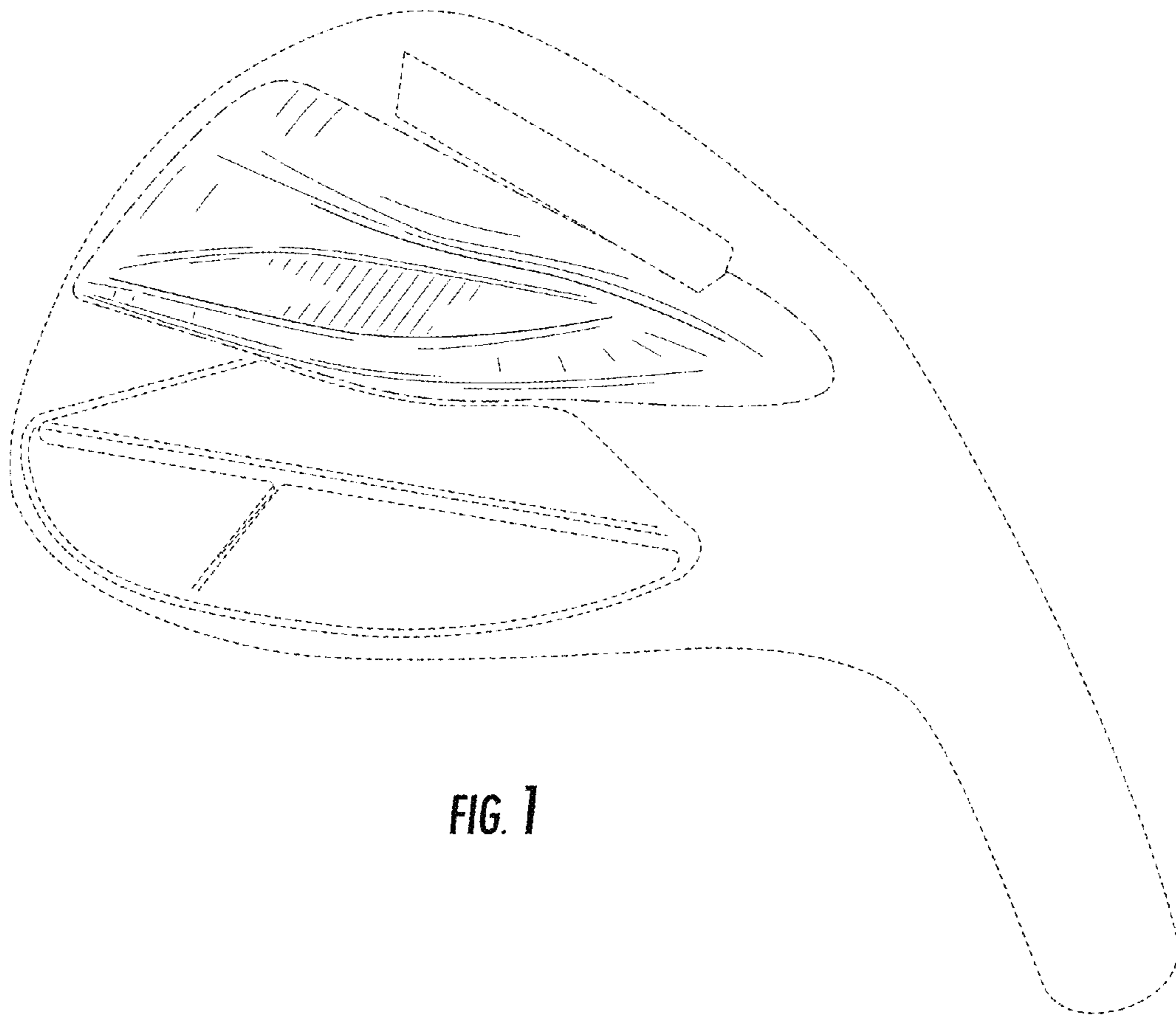


FIG. 1

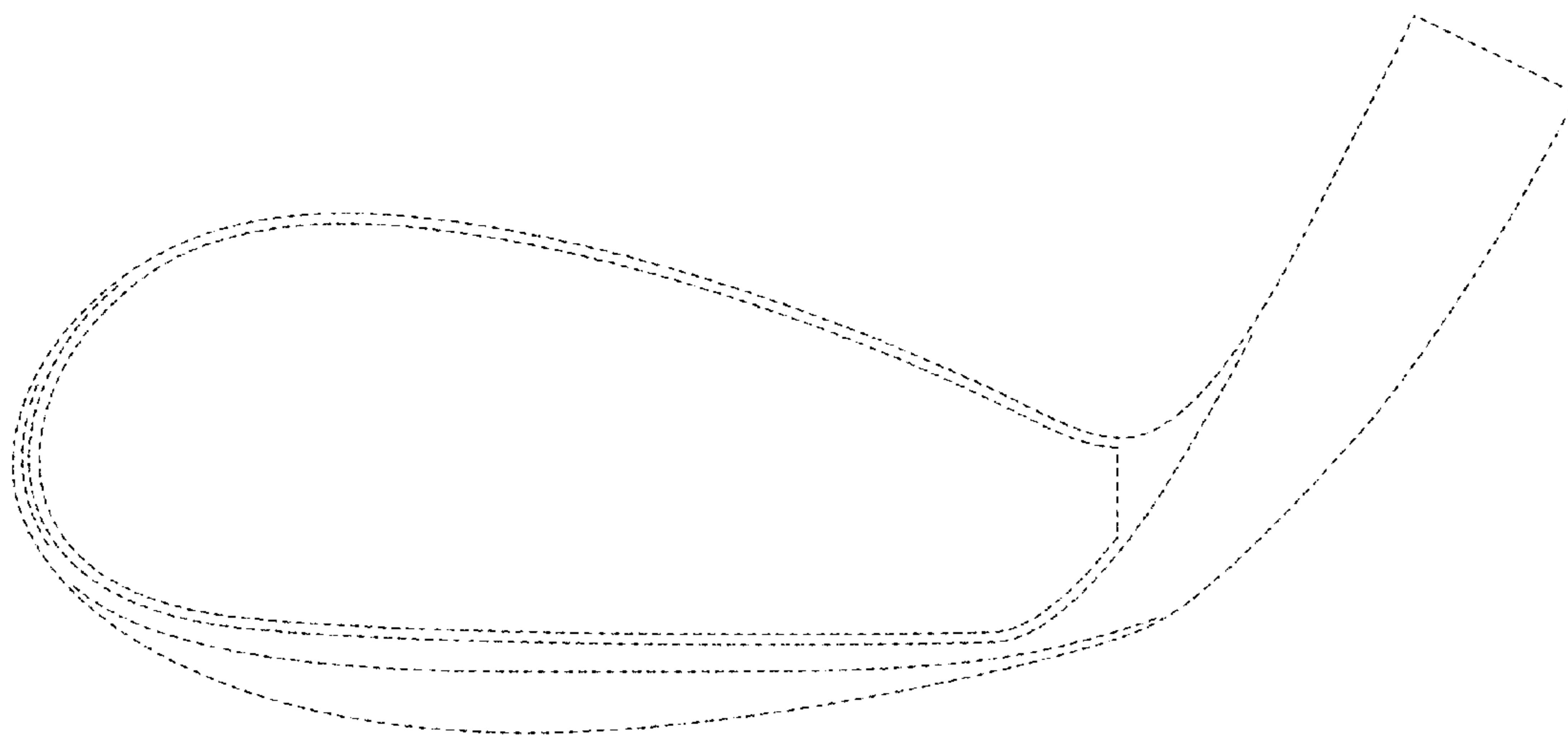


FIG. 2

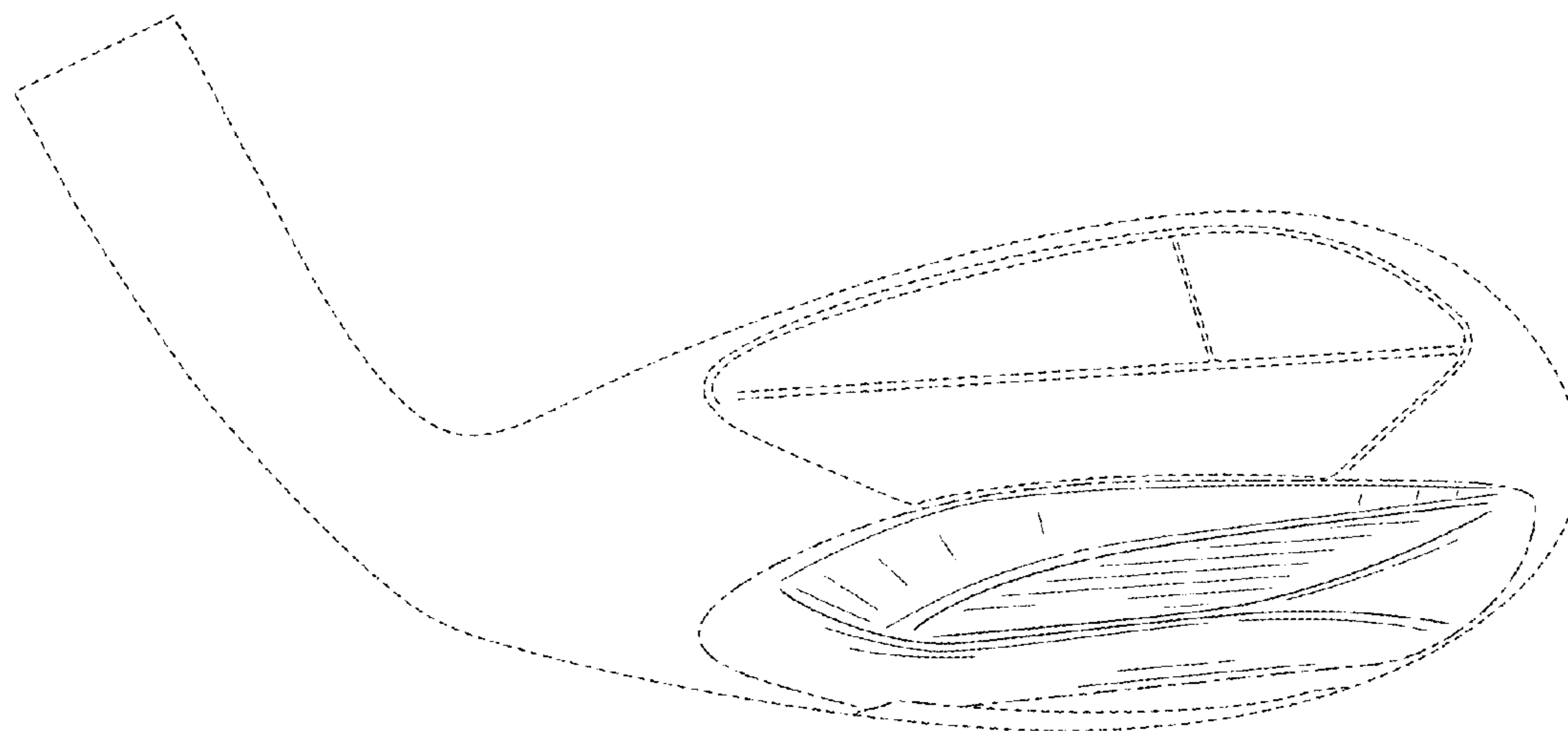


FIG. 3

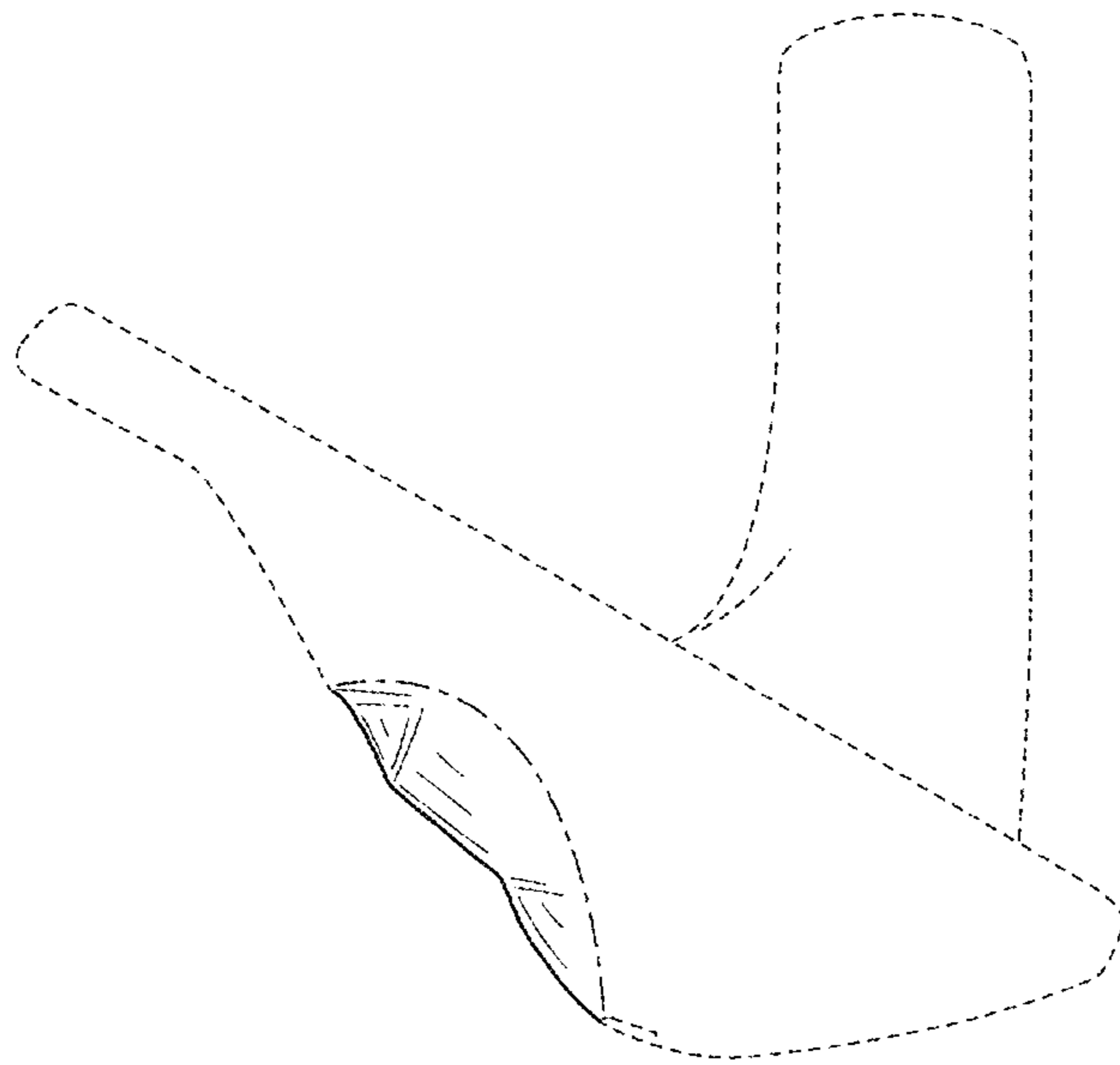


FIG. 4

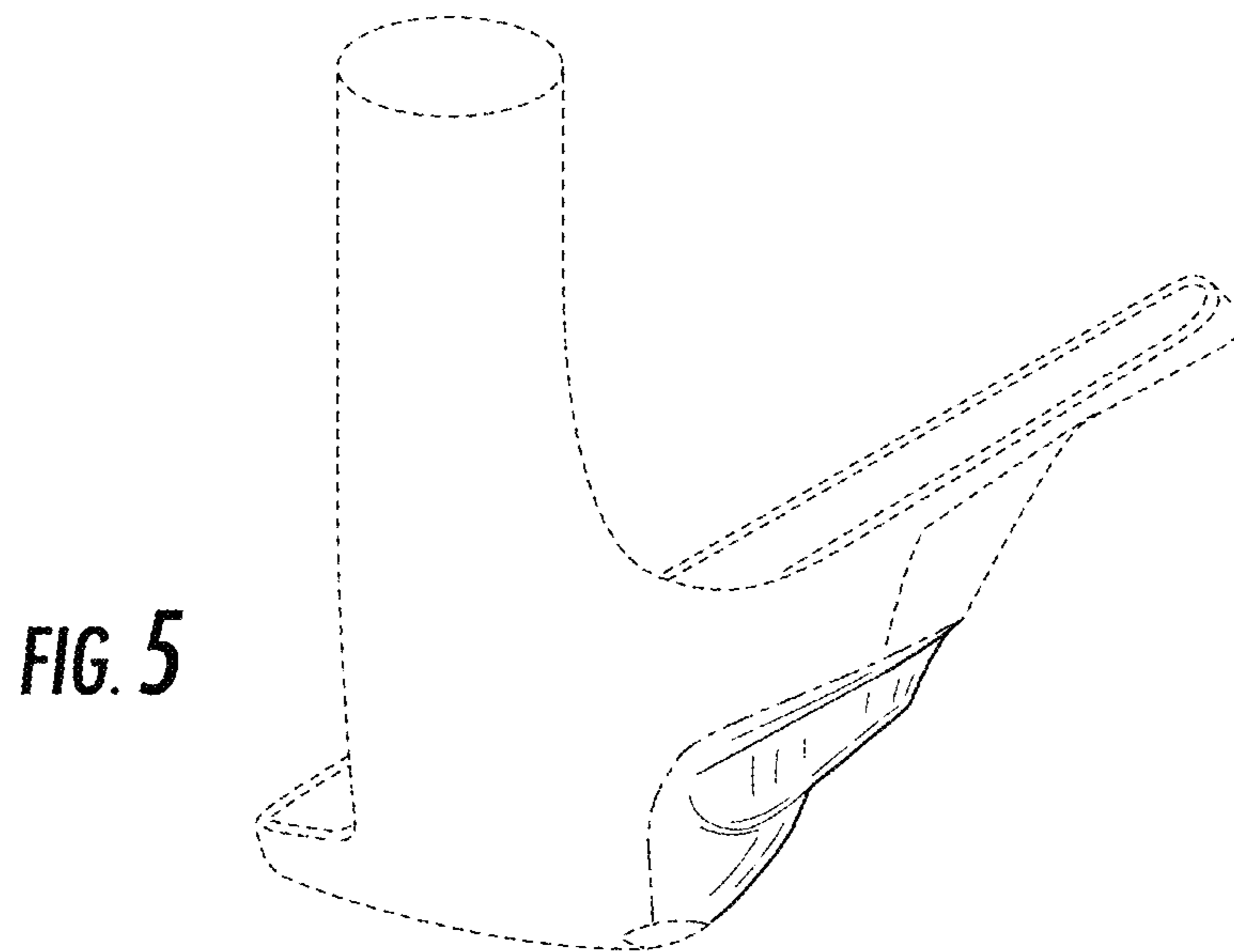


FIG. 5

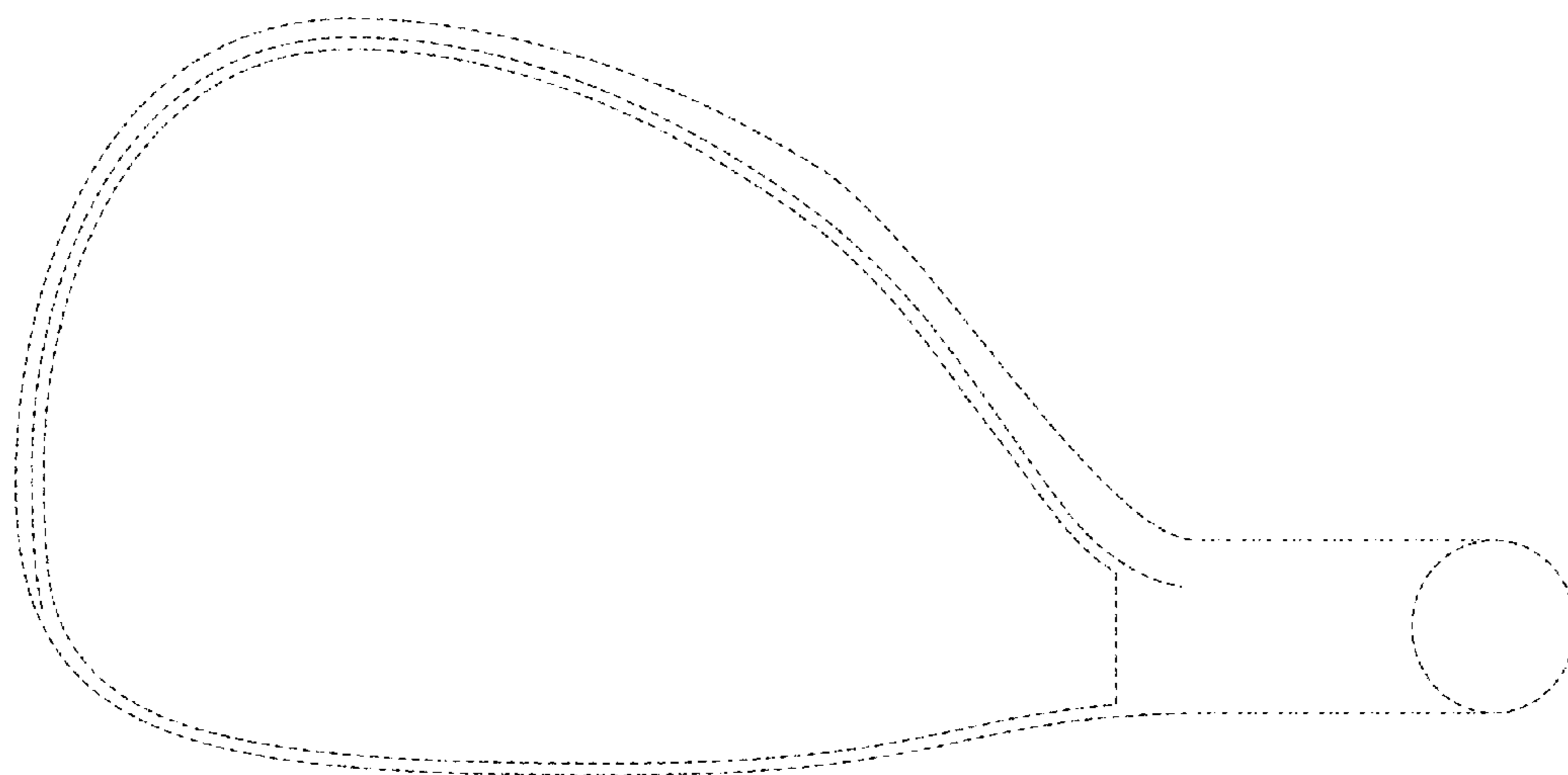


FIG. 6

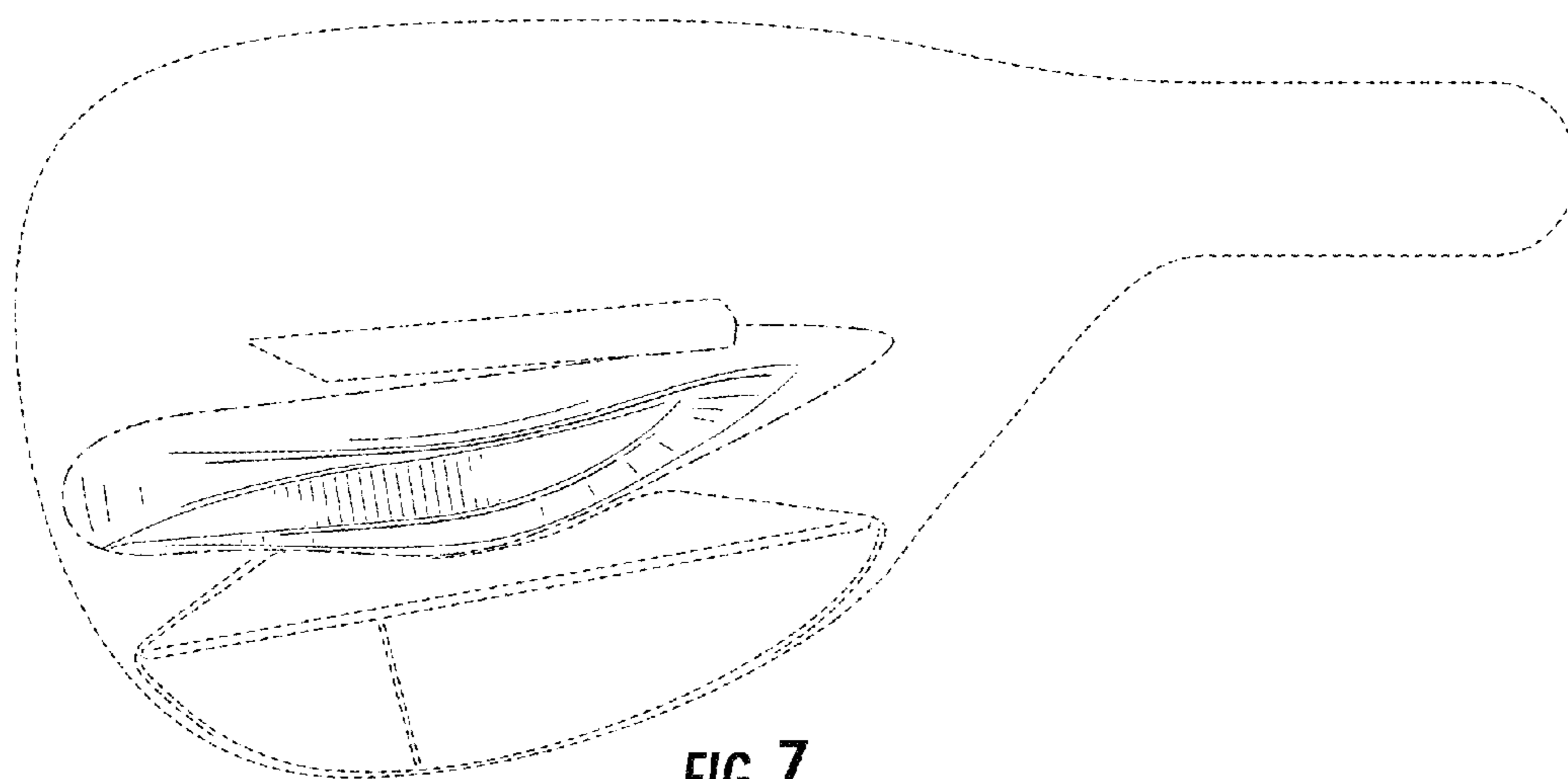


FIG. 7