

US00D763378S

(12) **United States Design Patent**
Wallin et al.

(10) **Patent No.:** **US D763,378 S**
(45) **Date of Patent:** **** Aug. 9, 2016**

(54) **PUTTER GRIP CUPPED END CAP
CONFIGURED FOR DEMOUNTABLE
ENGAGEMENT OF A BALL MARKER**

D319,278 S * 8/1991 Tosti D21/756
D375,340 S * 11/1996 Stryczek D21/756
D530,767 S * 10/2006 Davis D21/794
7,828,670 B1 * 11/2010 Schroader A63B 57/353
473/285
D652,101 S * 1/2012 Ward D21/794
2010/0203979 A1 * 8/2010 Hyman A63B 53/14
473/285

(71) Applicant: **JBD Golf Inc.**, Weyburn (CA)

(72) Inventors: **Brad Wallin**, Weyburn (CA); **Jason Hoium**, Weyburn (CA)

(73) Assignee: **JBD HOLDINGS INC.**, Regina, Saskatchewan (CA)

(**) Term: **14 Years**

(21) Appl. No.: **29/514,978**

(22) Filed: **Jan. 19, 2015**

(51) **LOC (10) Cl.** **21-02**

(52) **U.S. Cl.**
USPC **D21/759**

(58) **Field of Classification Search**
USPC D21/756, 759, 789, 794
CPC A63B 57/353; A63B 57/00; A63B 53/14
See application file for complete search history.

(56) **References Cited**

U.S. PATENT DOCUMENTS

2,261,959 A * 11/1941 Buttikofer A63B 57/353
473/285
4,239,216 A * 12/1980 Bauer A63B 57/00
224/918

* cited by examiner

Primary Examiner — Mitchell Siegel

(74) *Attorney, Agent, or Firm* — Gowling WLG (Canada) LLP

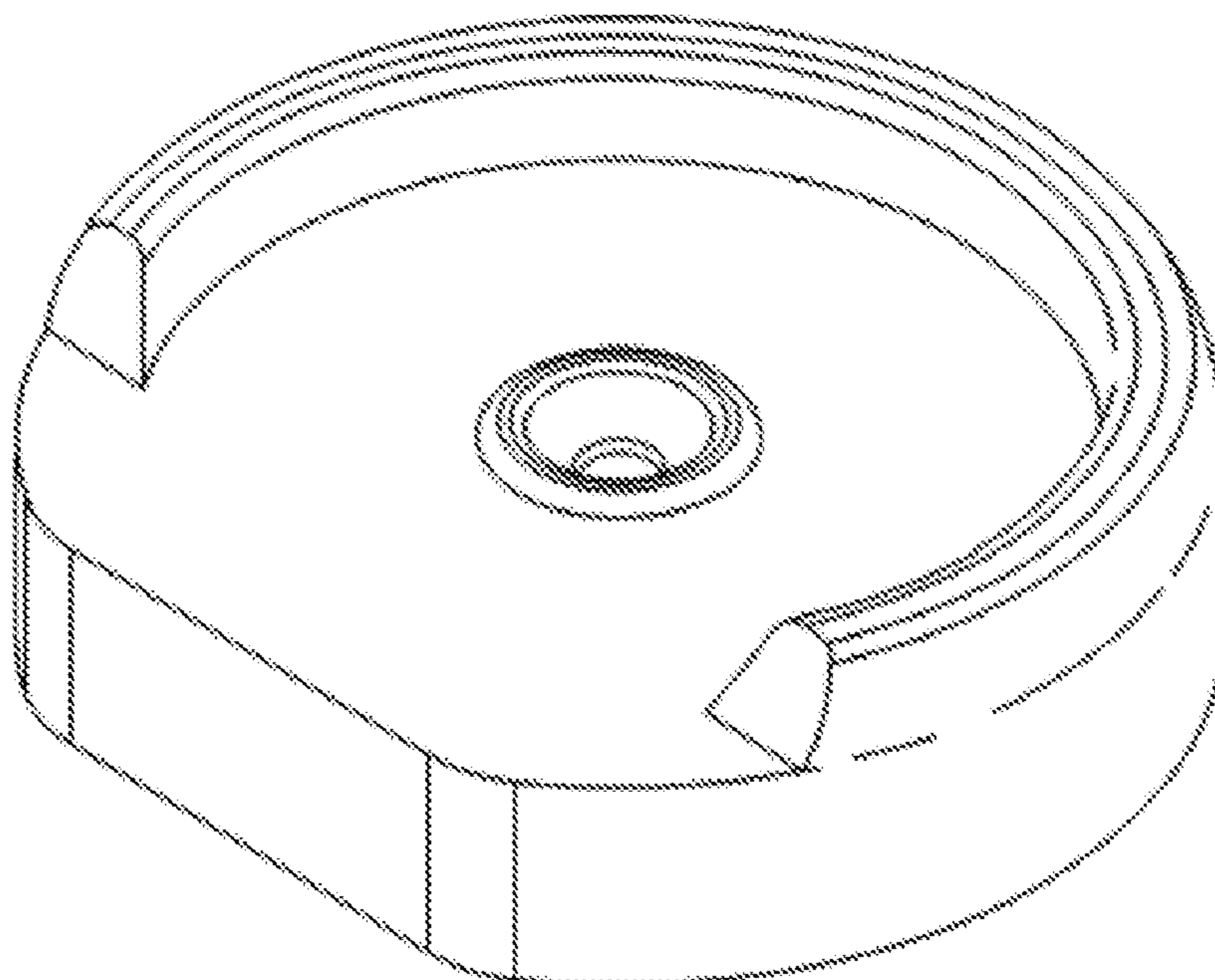
(57) **CLAIM**

The ornamental design for a putter grip cupped end cap configured for demountable engagement of a ball marker, as shown and described.

DESCRIPTION

FIG. 1 is a perspective top view of the putter grip end cap; FIG. 2 is a top view of the putter grip end cap; FIG. 3 is a bottom view of the putter grip end cap; FIG. 4 is a front view of the putter grip end cap; FIG. 5 is a side view of the putter grip end cap; FIG. 6 is a back view of the putter grip end cap; and, FIG. 7 is a cross-sectional view of the putter grip end cap taken at line 7-7 of FIG. 2.

1 Claim, 7 Drawing Sheets



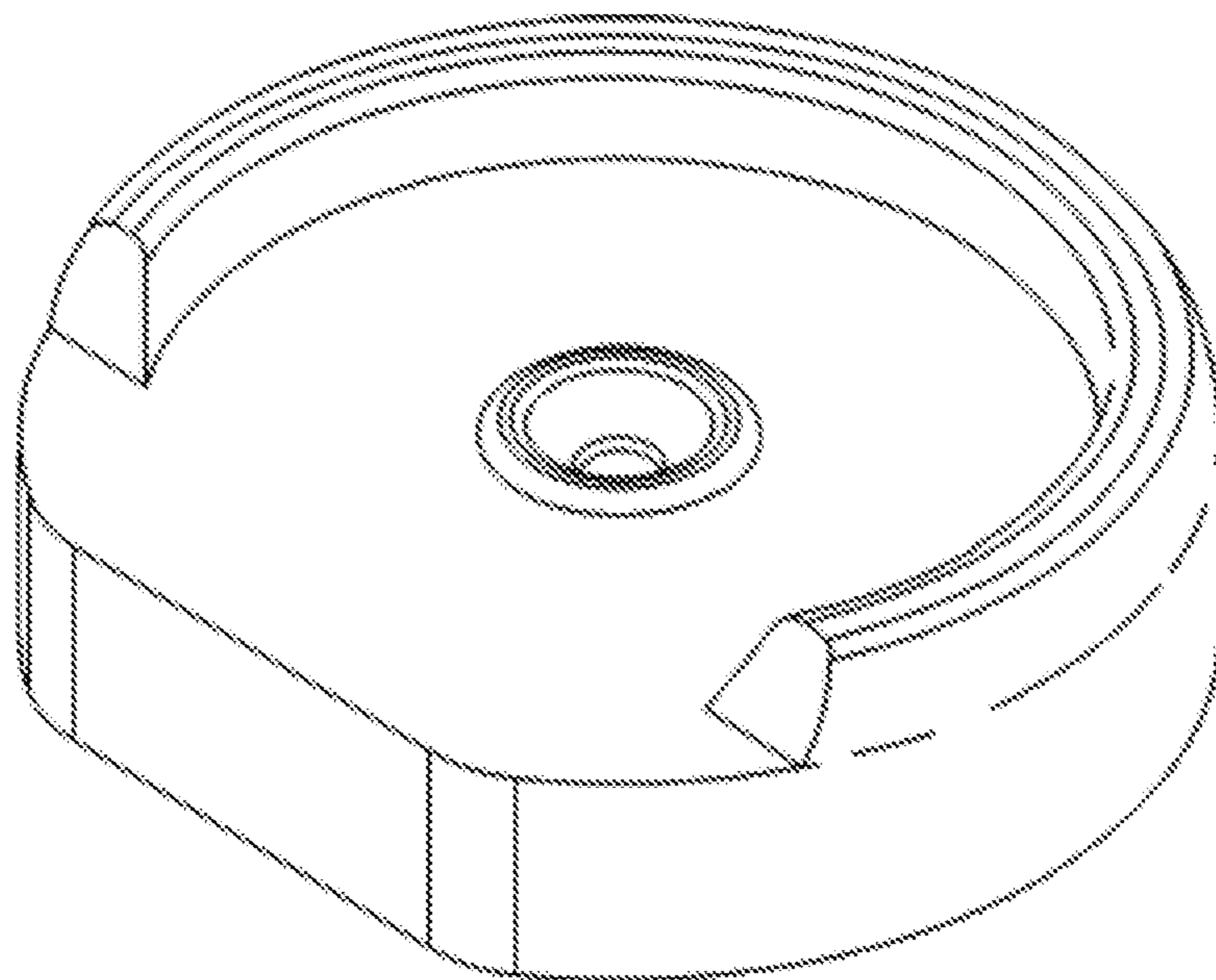


FIG. 1

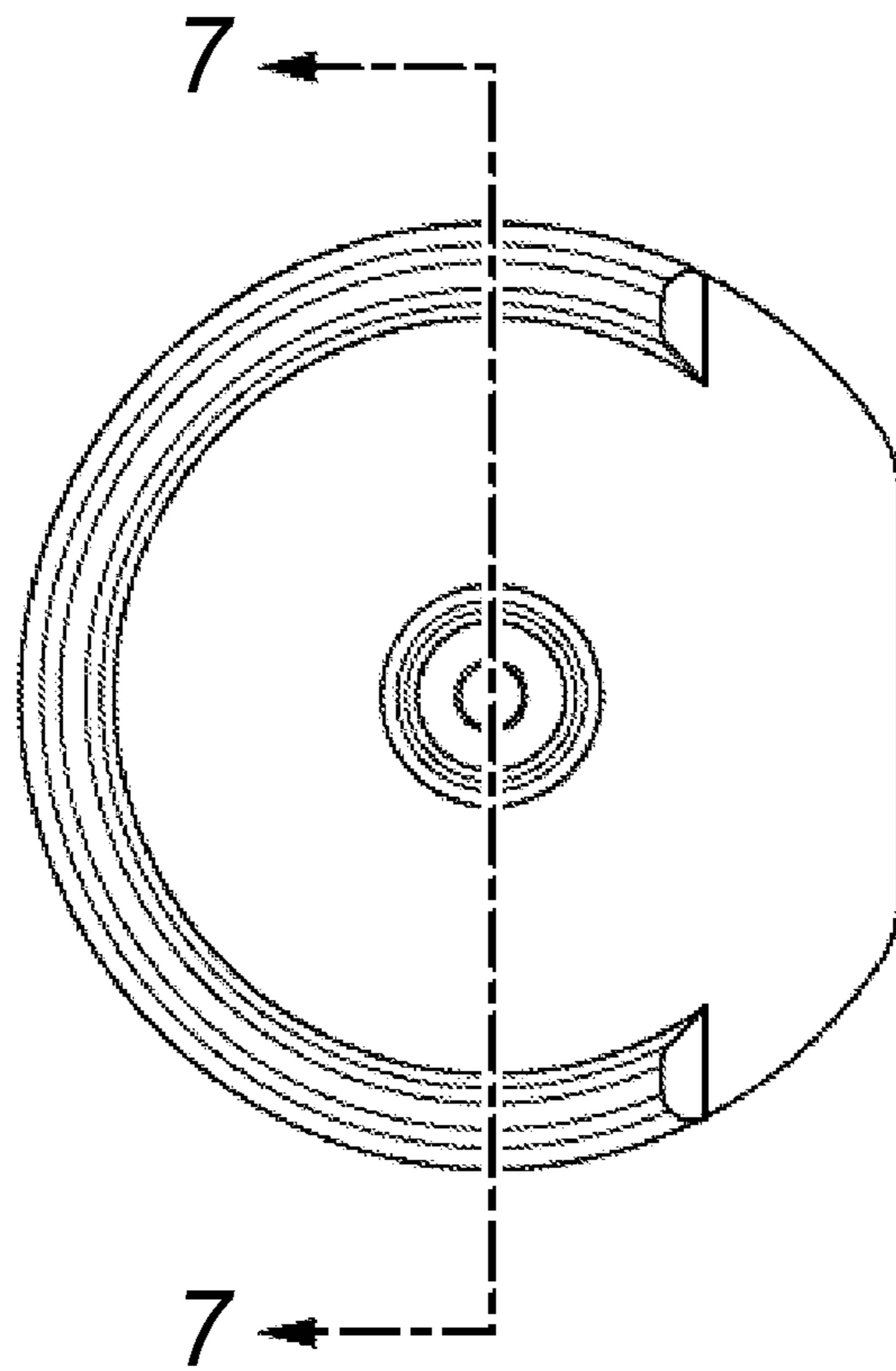


FIG. 2

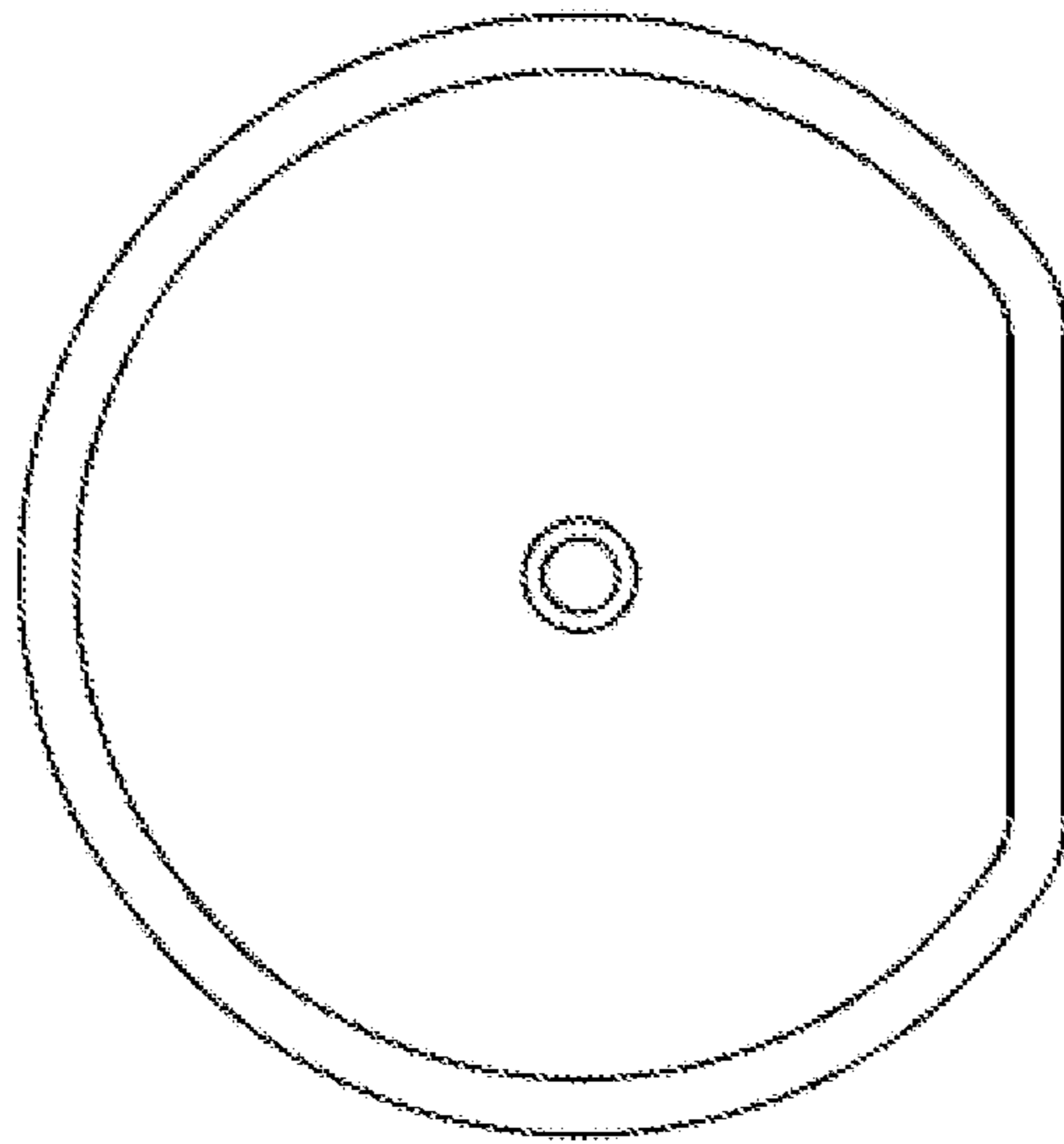


FIG. 3



FIG. 4

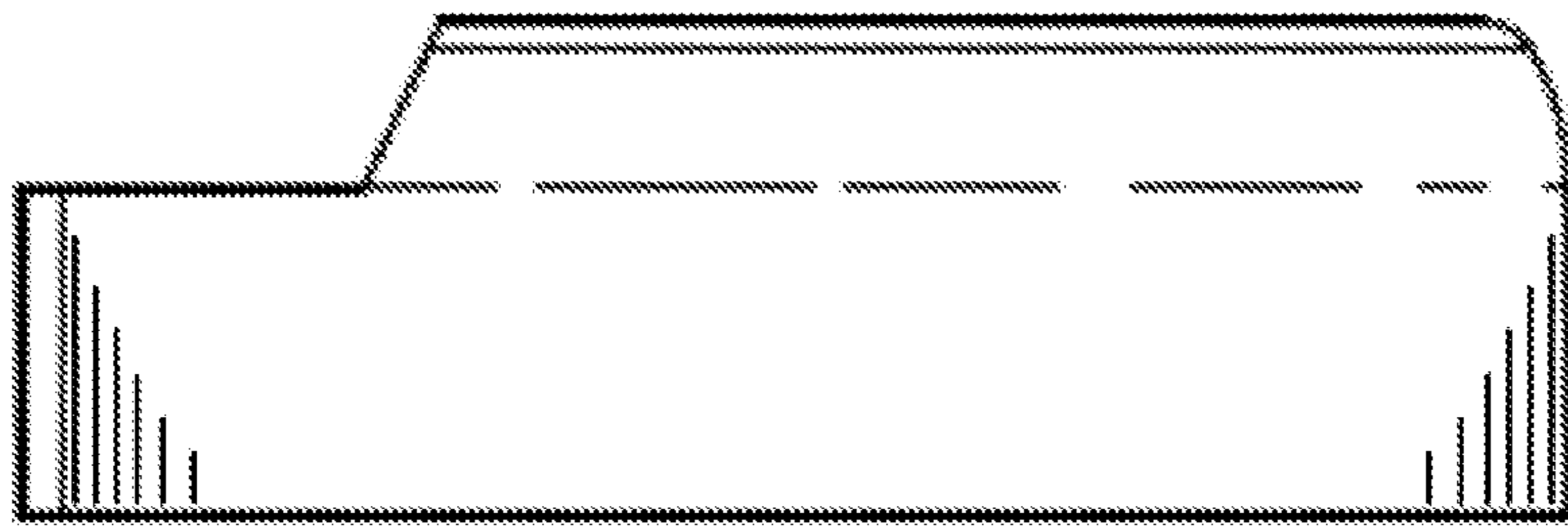


FIG. 5



FIG. 6

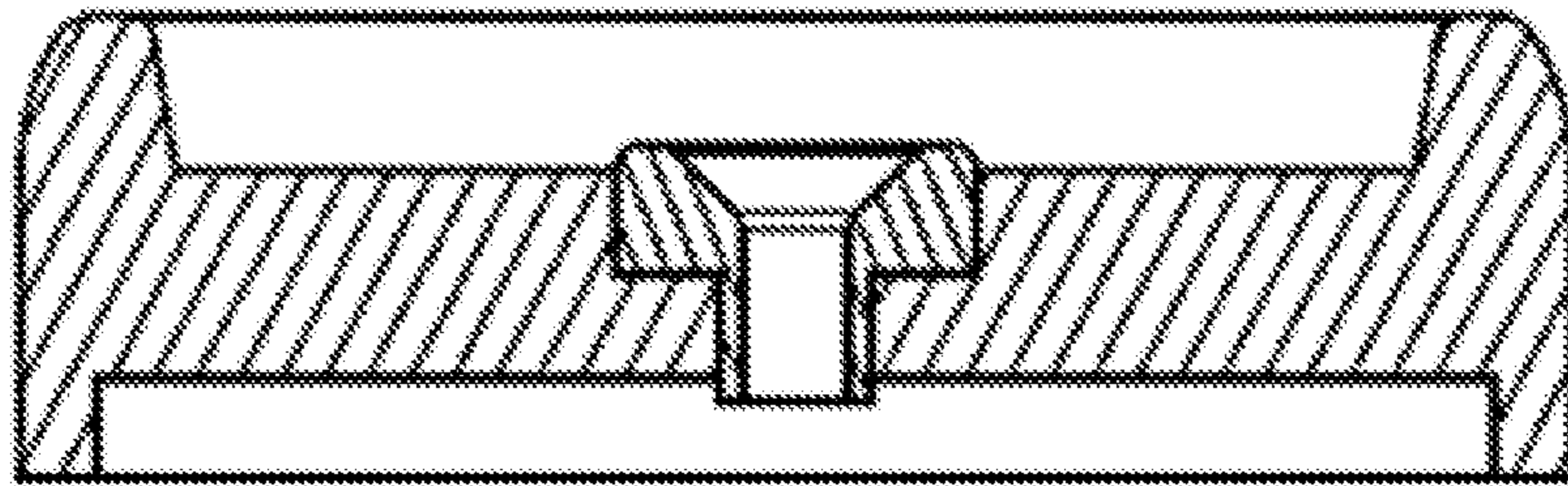


FIG. 7