

US00D763373S

(12) **United States Design Patent**
Cardani et al.

(10) **Patent No.:** **US D763,373 S**

(45) **Date of Patent:** **** Aug. 9, 2016**

(54) **GOLF CLUB HEAD FOR A PUTTER**

(71) Applicant: **NIKE, Inc.**, Beaverton, OR (US)

(72) Inventors: **Jason Cardani**, Portland, OR (US);
Andrew G. V. Oldknow, Beaverton, OR (US)

(73) Assignee: **NIKE, Inc.**, Beaverton, OR (US)

(**) Term: **14 Years**

(21) Appl. No.: **29/525,213**

(22) Filed: **Apr. 28, 2015**

(51) **LOC (10) Cl.** **21-02**

(52) **U.S. Cl.**
USPC **D21/736**

(58) **Field of Classification Search**
USPC D21/736-746, 759
CPC .. A63B 53/065; A63B 53/0487; A63B 53/00;
A63B 53/007

See application file for complete search history.

(56) **References Cited**

U.S. PATENT DOCUMENTS

D207,227 S *	3/1967	Solheim	D21/739
D326,303 S	5/1992	Cameron	
D335,315 S *	5/1993	Shearer	D21/743
D335,694 S	5/1993	Stuff	
D389,207 S *	1/1998	Cameron	D21/742
D422,660 S	4/2000	Grace et al.	
D438,272 S *	2/2001	Moore	D21/736
D443,320 S	6/2001	Breier et al.	
D443,906 S *	6/2001	Hettinger	D21/743
D445,865 S	7/2001	Mills	
D449,085 S *	10/2001	Breier	D21/744
D459,423 S	6/2002	Long	
D498,276 S *	11/2004	Schweigert	D21/743
D521,580 S *	5/2006	Burrows	D21/736
D548,294 S	8/2007	Nguyen et al.	
D559,928 S	1/2008	Cameron	
D559,930 S *	1/2008	Cameron	D21/746

D562,921 S	2/2008	Nguyen et al.	
D565,677 S	4/2008	Cameron	
D565,678 S	4/2008	Cameron	
D574,911 S	8/2008	Jones et al.	
D578,586 S	10/2008	Oldknow et al.	
D583,887 S	12/2008	Cameron	
D590,462 S *	4/2009	Hettinger	D21/743
D638,892 S *	5/2011	Hettinger	D21/743
D643,893 S *	8/2011	Rollinson	D21/742

(Continued)

OTHER PUBLICATIONS

Edwin Watts Golf Catalog, Spring 2010; pp. 7, published Spring 2010.

(Continued)

Primary Examiner — Mitchell Siegel

(74) *Attorney, Agent, or Firm* — Banner & Witcoff, Ltd.

(57) **CLAIM**

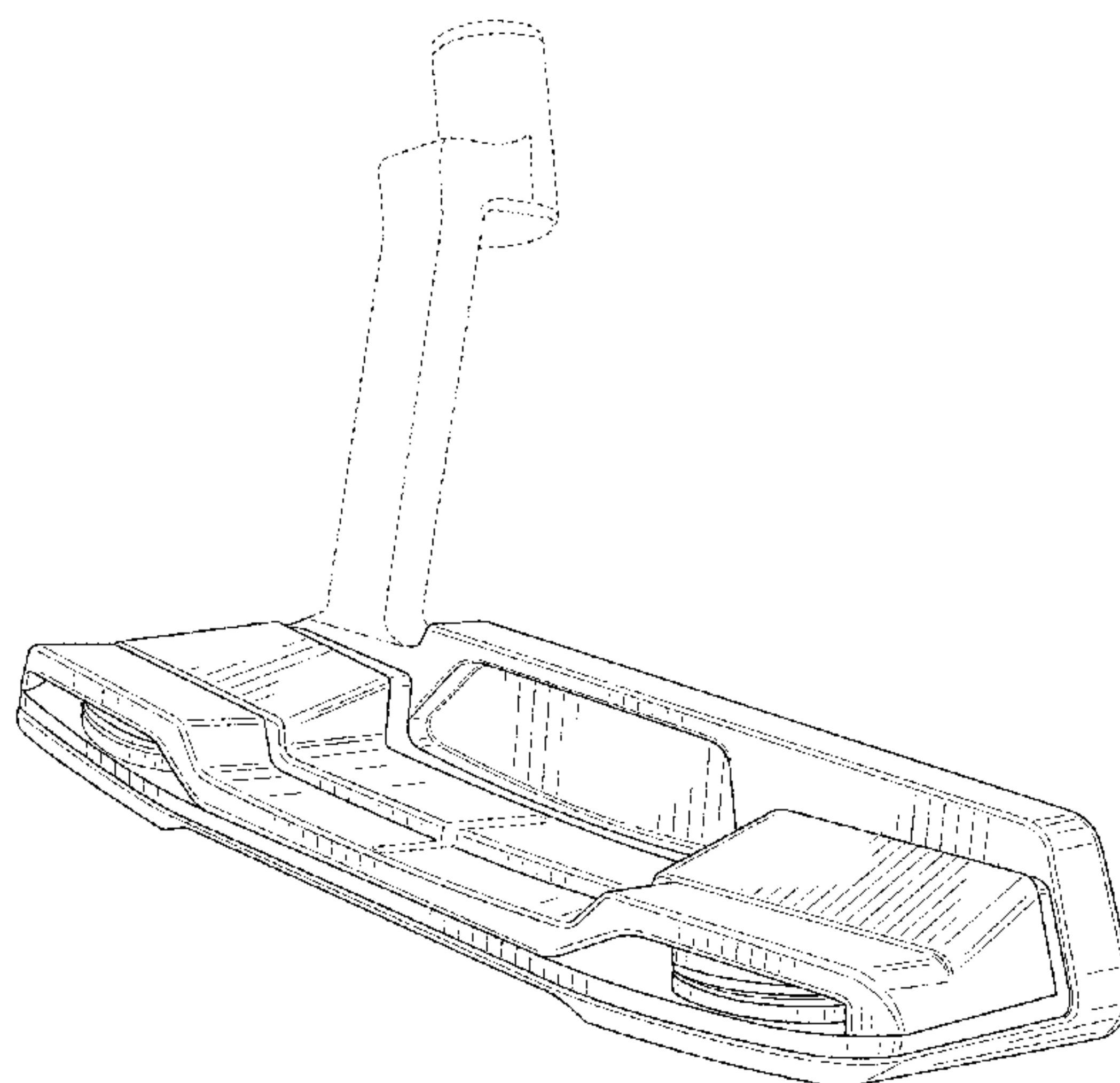
The ornamental design for a golf club head for a putter, as shown and described.

DESCRIPTION

FIG. 1 is a rear perspective view of a golf club head for a putter showing our new design;
FIG. 2 is a bottom perspective view thereof;
FIG. 3 is a front view thereof;
FIG. 4 is a rear view thereof;
FIG. 5 is a heel end view thereof;
FIG. 6 is a toe end view thereof;
FIG. 7 is a top view thereof; and,
FIG. 8 is a bottom view thereof.

The broken lines immediately adjacent to the shaded area represent unclaimed boundaries of the design. The unshaded regions within or adjacent to the shaded area form no part of the claimed design. The broken lines showing the remainder of the golf club are for environmental purposes only and form no fan of the claimed design.

1 Claim, 6 Drawing Sheets



(56)

References Cited

U.S. PATENT DOCUMENTS

D648,407 S * 11/2011 Teramoto D21/743
D652,465 S 1/2012 Rollinson
D661,754 S 6/2012 Cameron et al.
D682,376 S * 5/2013 Oliveiro D21/736
D688,339 S 8/2013 Hilton et al.
D688,762 S 8/2013 Hilton et al.
D689,574 S 9/2013 Rollinson
D691,225 S * 10/2013 Hilton D21/736
D707,771 S 6/2014 Cameron

D733,817 S * 7/2015 Jorgensen D21/736
D733,818 S * 7/2015 Jorgensen D21/736
2007/0135232 A1 6/2007 Billings
2012/0252594 A1 10/2012 Solheim et al.

OTHER PUBLICATIONS

Golfsmith Catalog, Spring 2010; pp. 25, published Spring 2010.
Golfsmith Catalog, Spring 2010; pp. 29, published Spring 2010.
Golfsmith Catalog, Spring 2010; pp. 34, published Spring 2010.

* cited by examiner

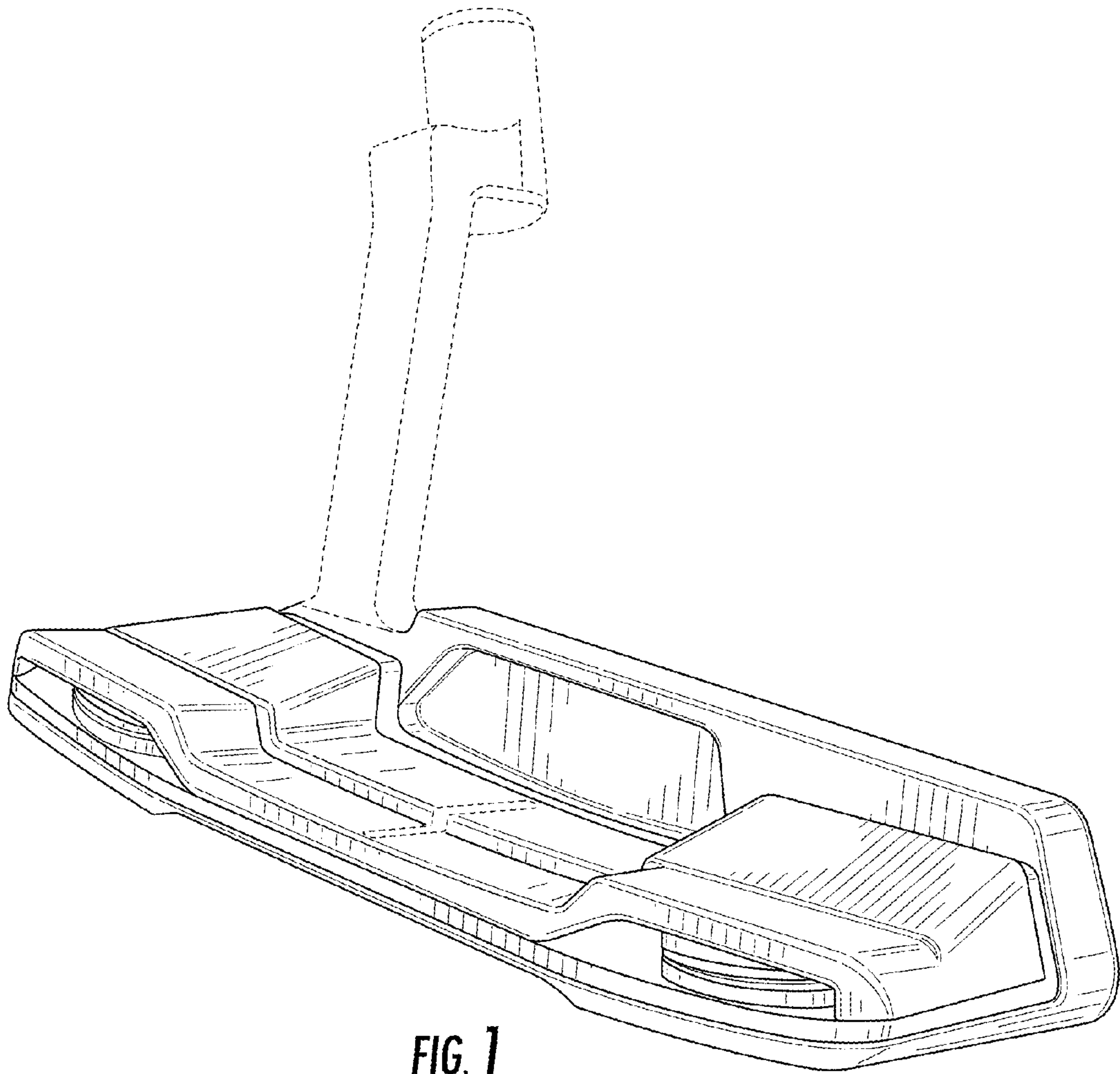


FIG. 1

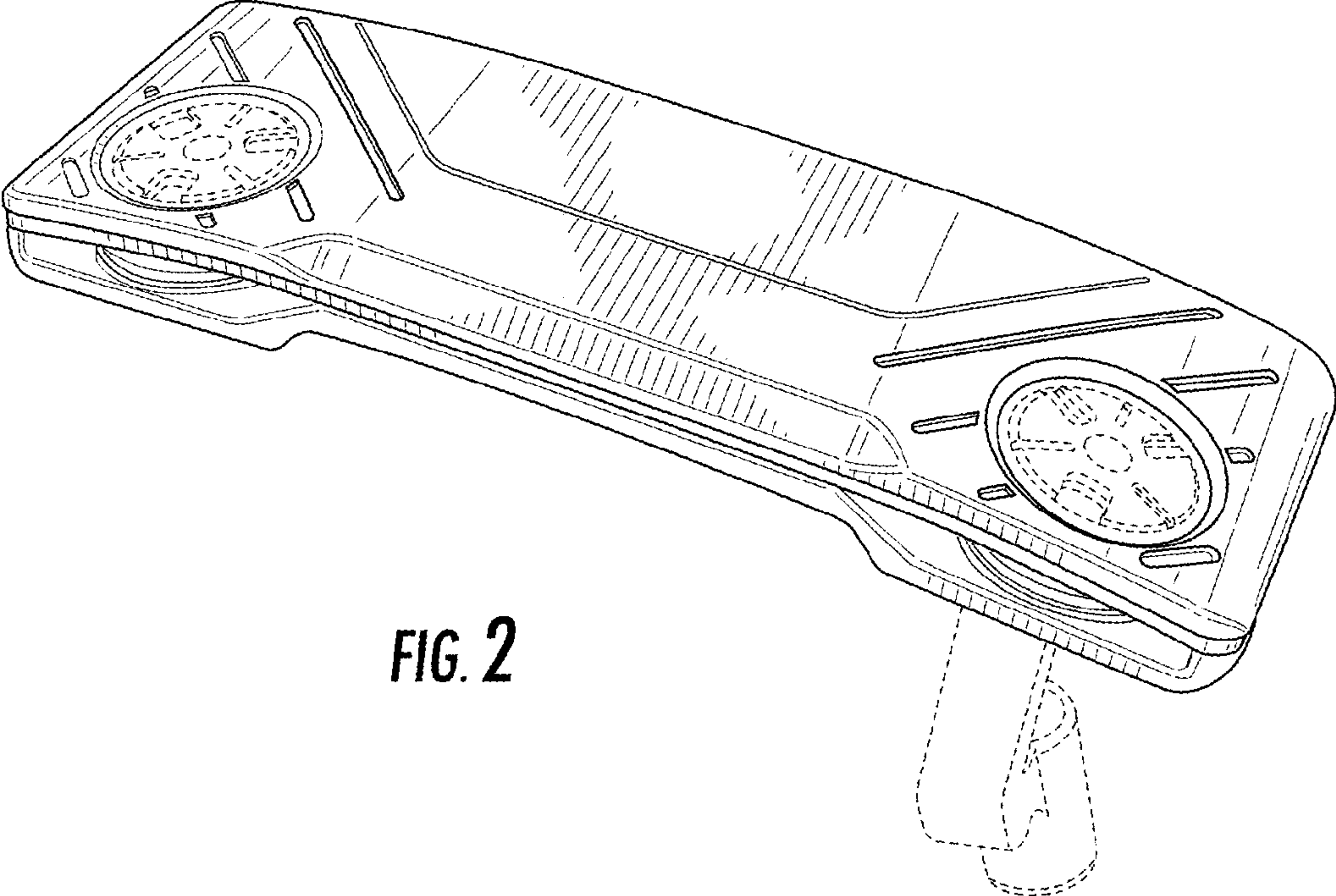


FIG. 2

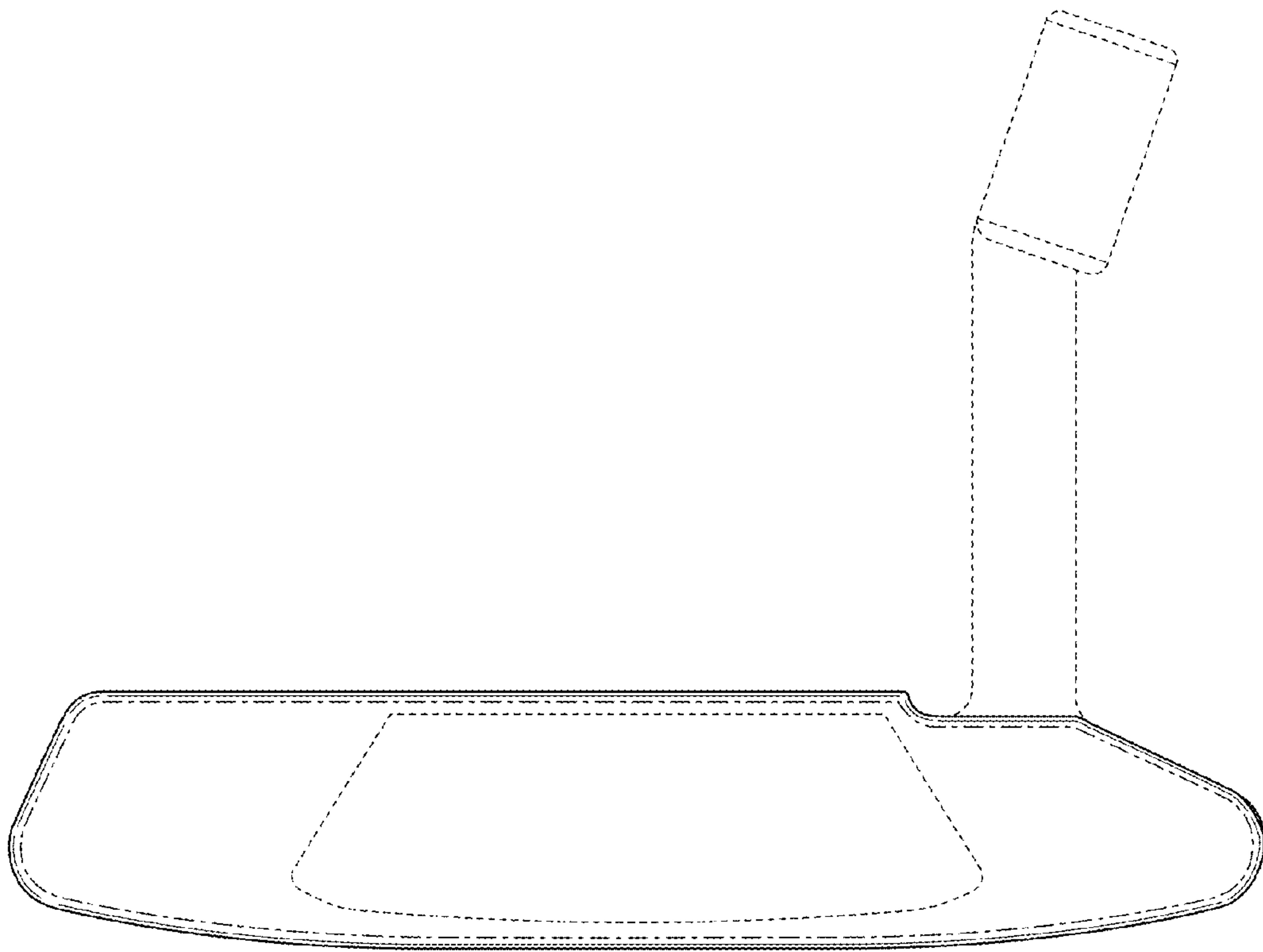


FIG. 3

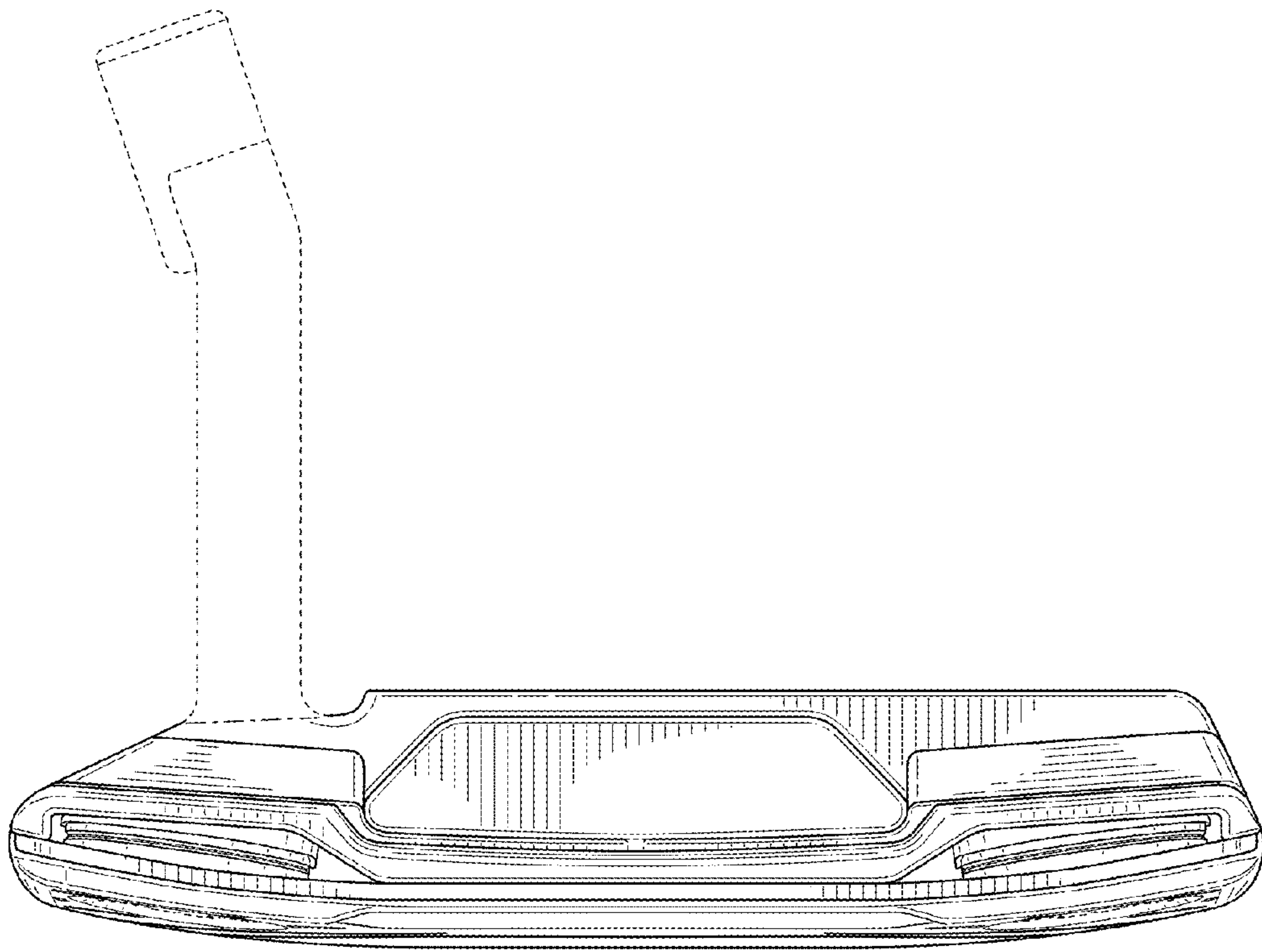


FIG. 4

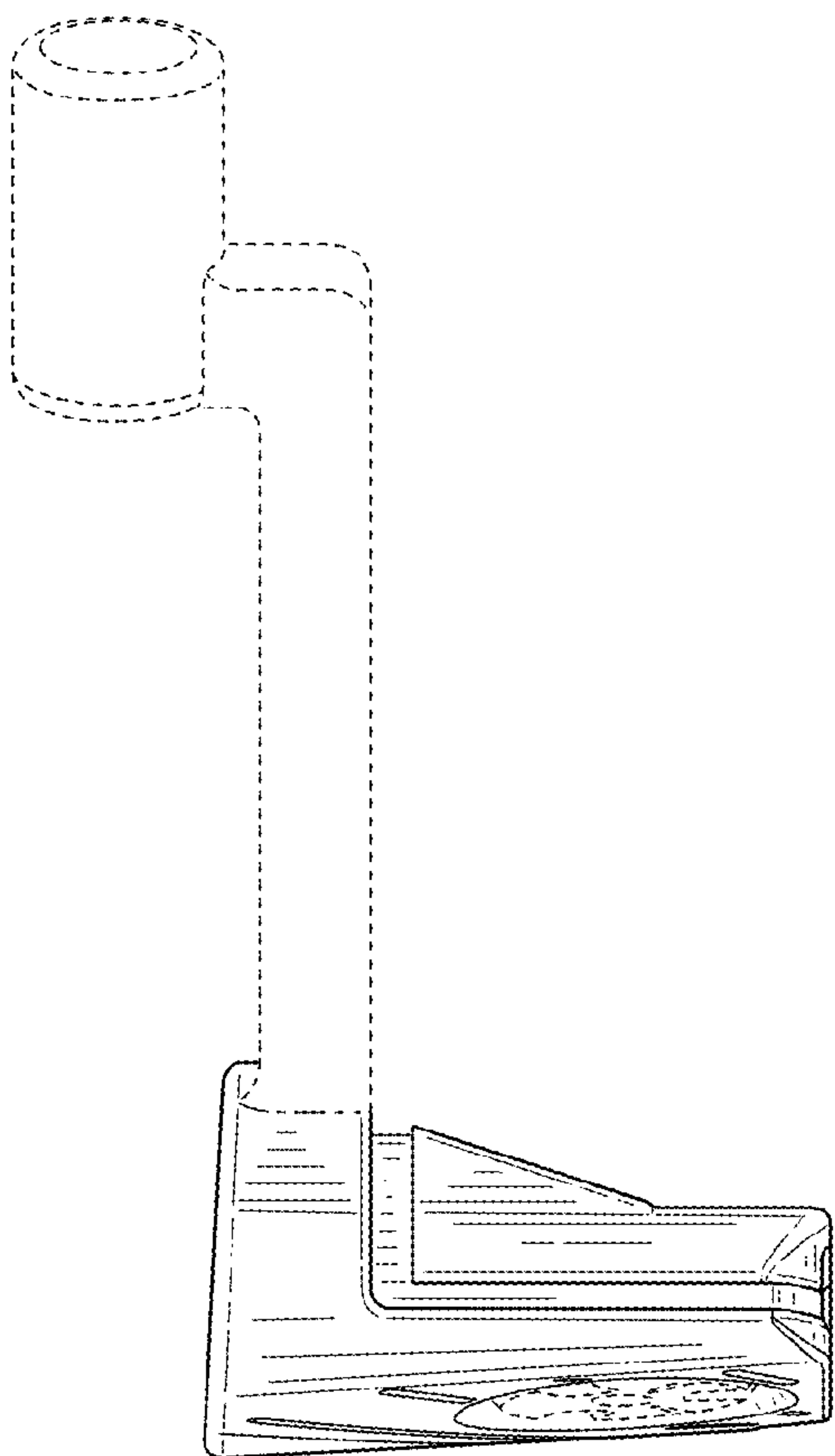


FIG. 5

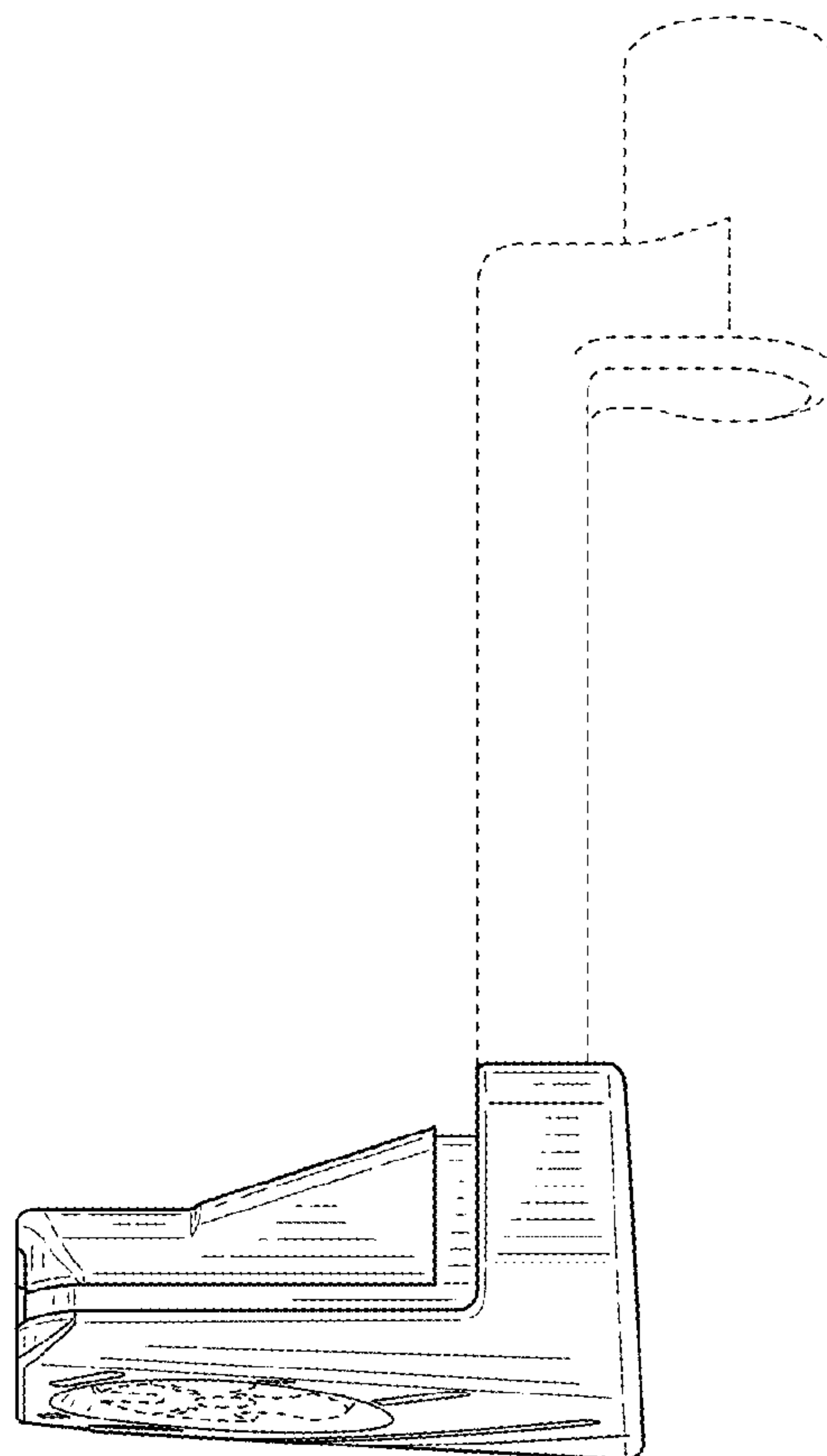


FIG. 6

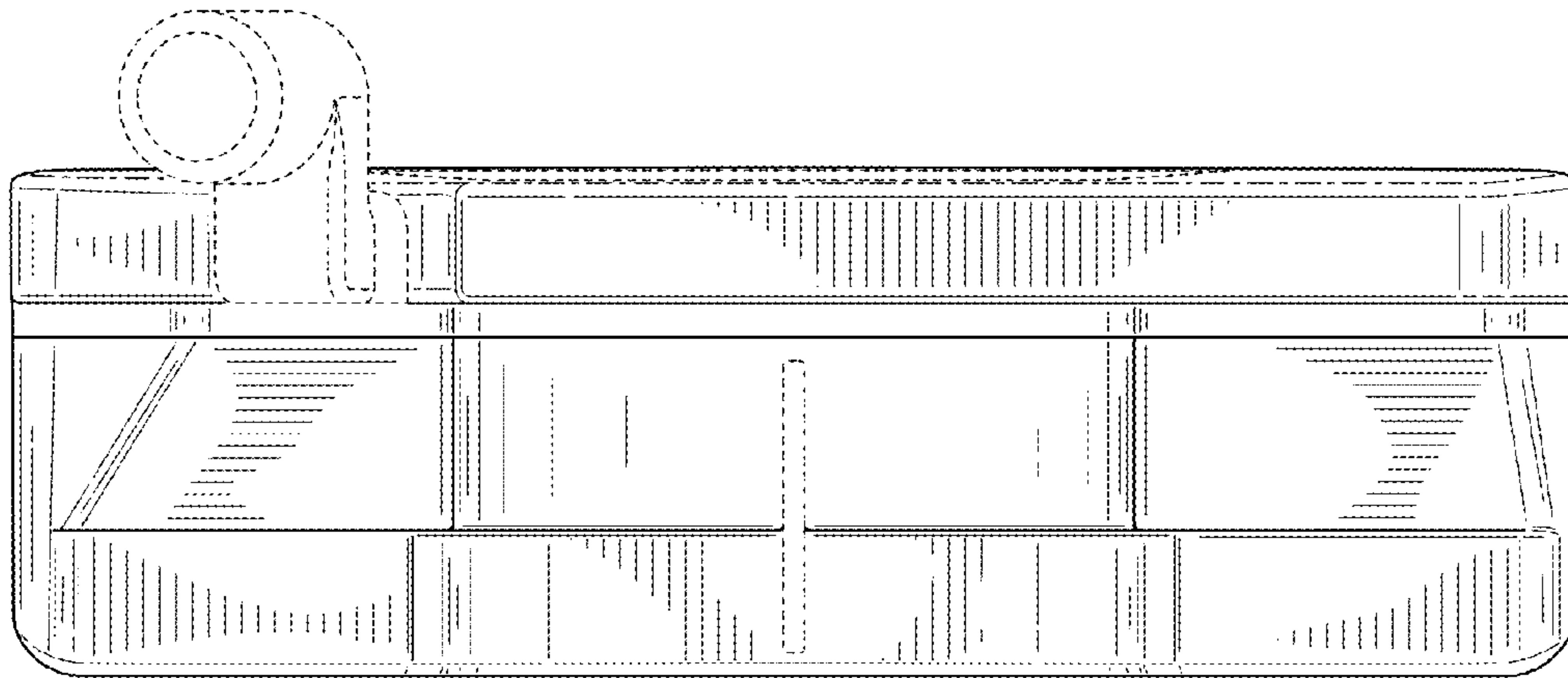


FIG. 7

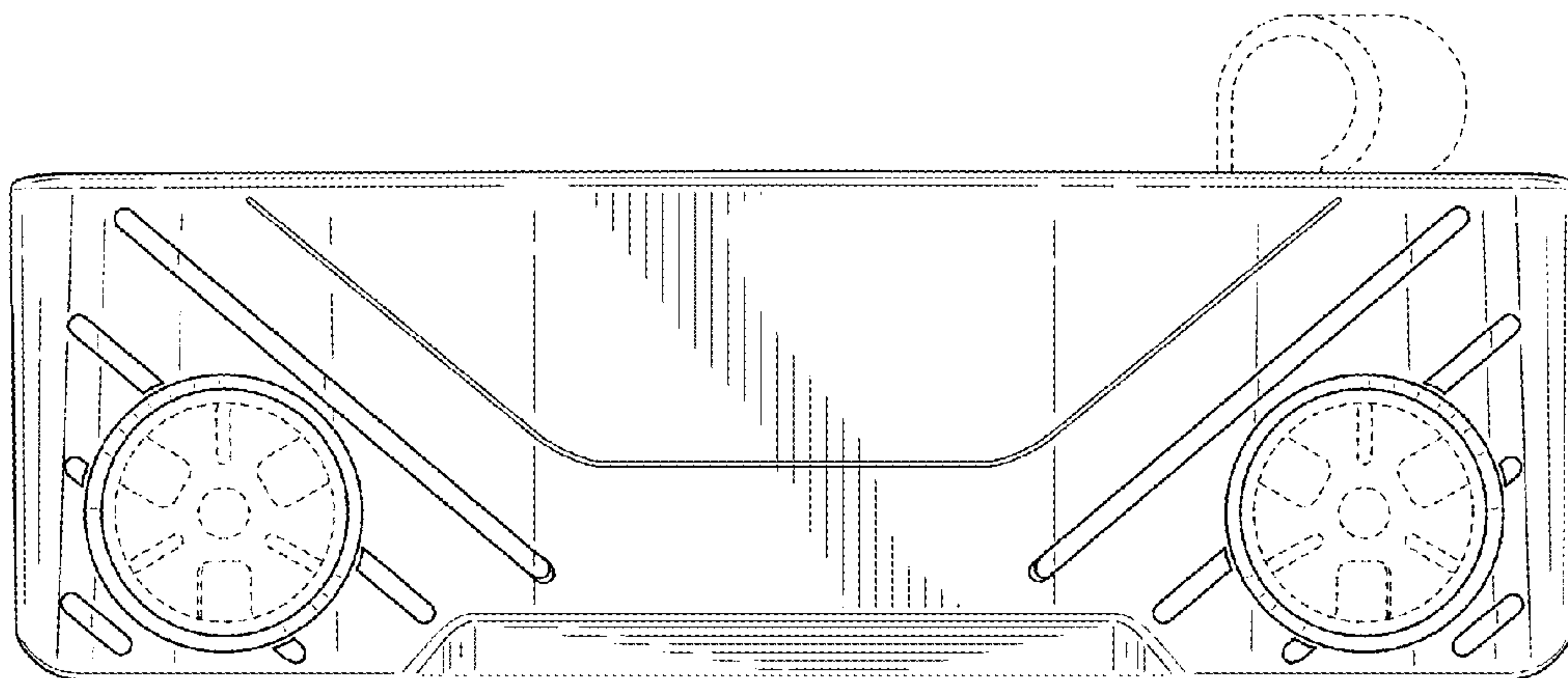


FIG. 8