

US00D763372S

(12) **United States Design Patent**  
**Wu**

(10) **Patent No.:** **US D763,372 S**

(45) **Date of Patent:** **\*\* Aug. 9, 2016**

- (54) **STORAGE TRAY FOR BICYCLE**
- (71) Applicant: **SIENNA GROUP CORPORATION,**  
Taichung (TW)
- (72) Inventor: **Chen-Kuei Wu,** Taichung (TW)
- (73) Assignee: **SIENNA GROUP CORPORATION,**  
Taichung (TW)
- (\*\*) Term: **14 Years**
- (21) Appl. No.: **29/499,522**
- (22) Filed: **Aug. 15, 2014**
- (51) **LOC (10) Cl.** ..... **21-02**
- (52) **U.S. Cl.**  
USPC ..... **D21/694**
- (58) **Field of Classification Search**  
USPC ..... D21/686, 690, 676, 662, 691, 673, 697,  
D21/797, 826, 694, 671, 685, 688, 689;  
482/129, 92, 104, 142, 57, 63, 138, 94,  
482/106, 108, 908, 130, 146, 147, 34, 135,  
482/101, 97, 139, 62, 51, 37, 121, 126, 148,  
482/113, 137; D6/708, 552, 675, 675.5,  
D6/349, 301; D3/307, 273, 276, 298, 277,  
D3/294, 350; D7/510, 511; D12/114, 411,  
D12/414.1; D25/1, 33, 126  
CPC ..... A63B 22/0605; A63B 21/4029; A63B  
23/0211; A63B 21/225; A63B 21/4035;  
A63B 21/078  
See application file for complete search history.

- 4,441,638 A \* 4/1984 Shimano ..... B62J 11/00  
224/414
- 5,158,218 A \* 10/1992 Wery ..... B62J 11/00  
222/181.1
- D361,924 S \* 9/1995 Becker ..... D7/620
- D370,750 S \* 6/1996 Huff ..... D30/119
- D600,627 S \* 9/2009 Toll ..... D12/411
- D607,807 S \* 1/2010 Ohlhorst ..... D12/411
- D640,345 S \* 6/2011 Corsello ..... D12/218
- D700,877 S \* 3/2014 Serpell ..... D12/411
- 8,777,075 B2 \* 7/2014 Bretl ..... A45F 3/16  
224/148.2
- D739,177 S \* 9/2015 Wu ..... D12/114
- D739,178 S \* 9/2015 Wu ..... D12/114
- D739,179 S \* 9/2015 Wu ..... D12/114

\* cited by examiner

*Primary Examiner* — Robert M Spear  
*Assistant Examiner* — Ryan Harvey  
 (74) *Attorney, Agent, or Firm* — Jackson IPG PLLC;  
 Demian K. Jackson

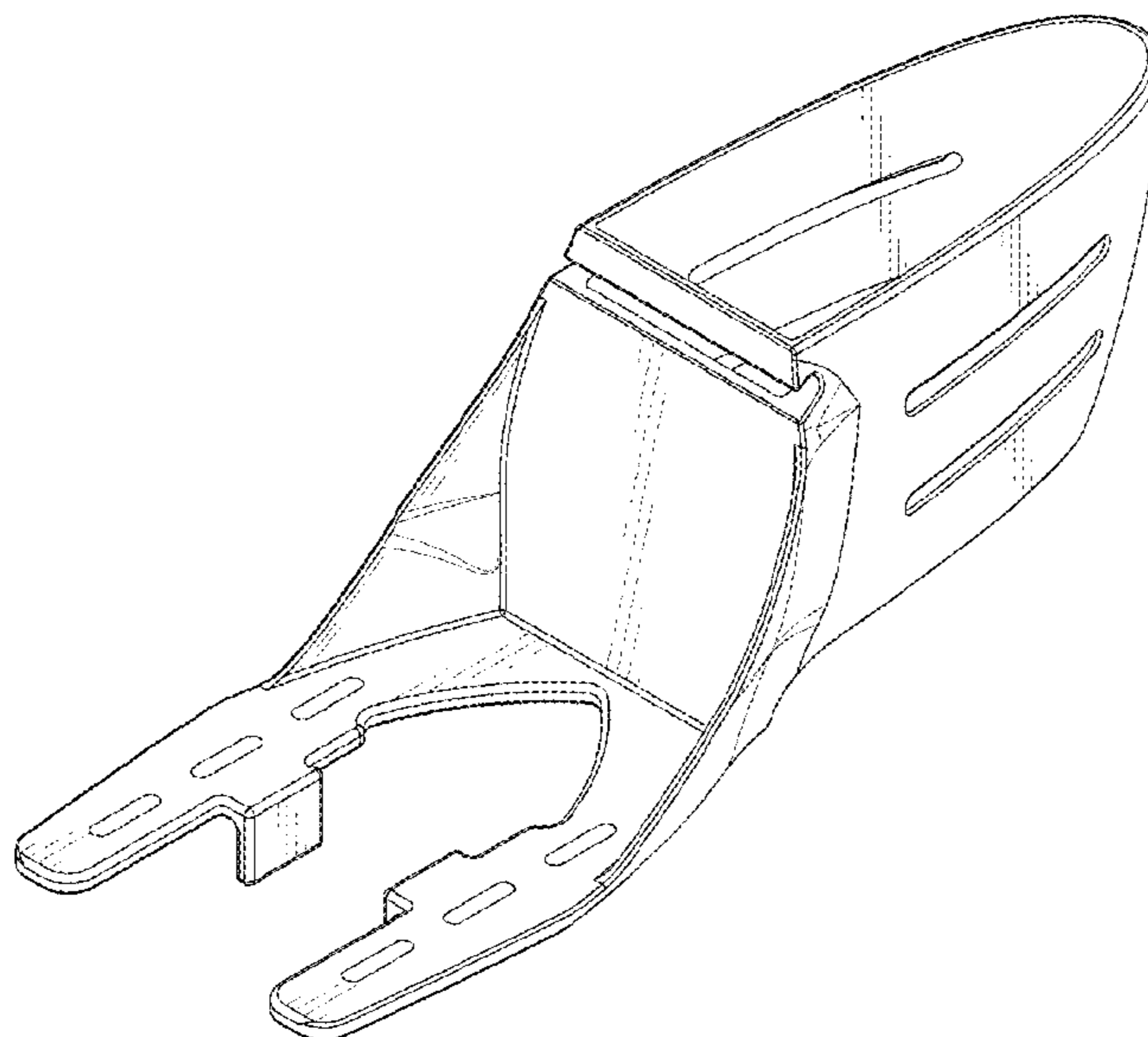
(57) **CLAIM**  
 The ornamental design for a storage tray for bicycle, as shown  
 and described.

**DESCRIPTION**

FIG. 1 is a perspective view of a storage tray showing my new  
 design;  
 FIG. 2 is a front elevation view thereof;  
 FIG. 3 is a rear elevation view thereof;  
 FIG. 4 is a left side view thereof;  
 FIG. 5 is a right side view thereof;  
 FIG. 6 is a top plan view thereof; and,  
 FIG. 7 is a bottom plan view thereof.  
 The broken line showing of portions of the storage tray  
 depicts environment and forms no part of the claim.

**1 Claim, 7 Drawing Sheets**

- (56) **References Cited**  
 U.S. PATENT DOCUMENTS  
 4,386,721 A \* 6/1983 Shimano ..... B62J 11/00  
224/414  
 D271,852 S \* 12/1983 Kimura ..... D12/411



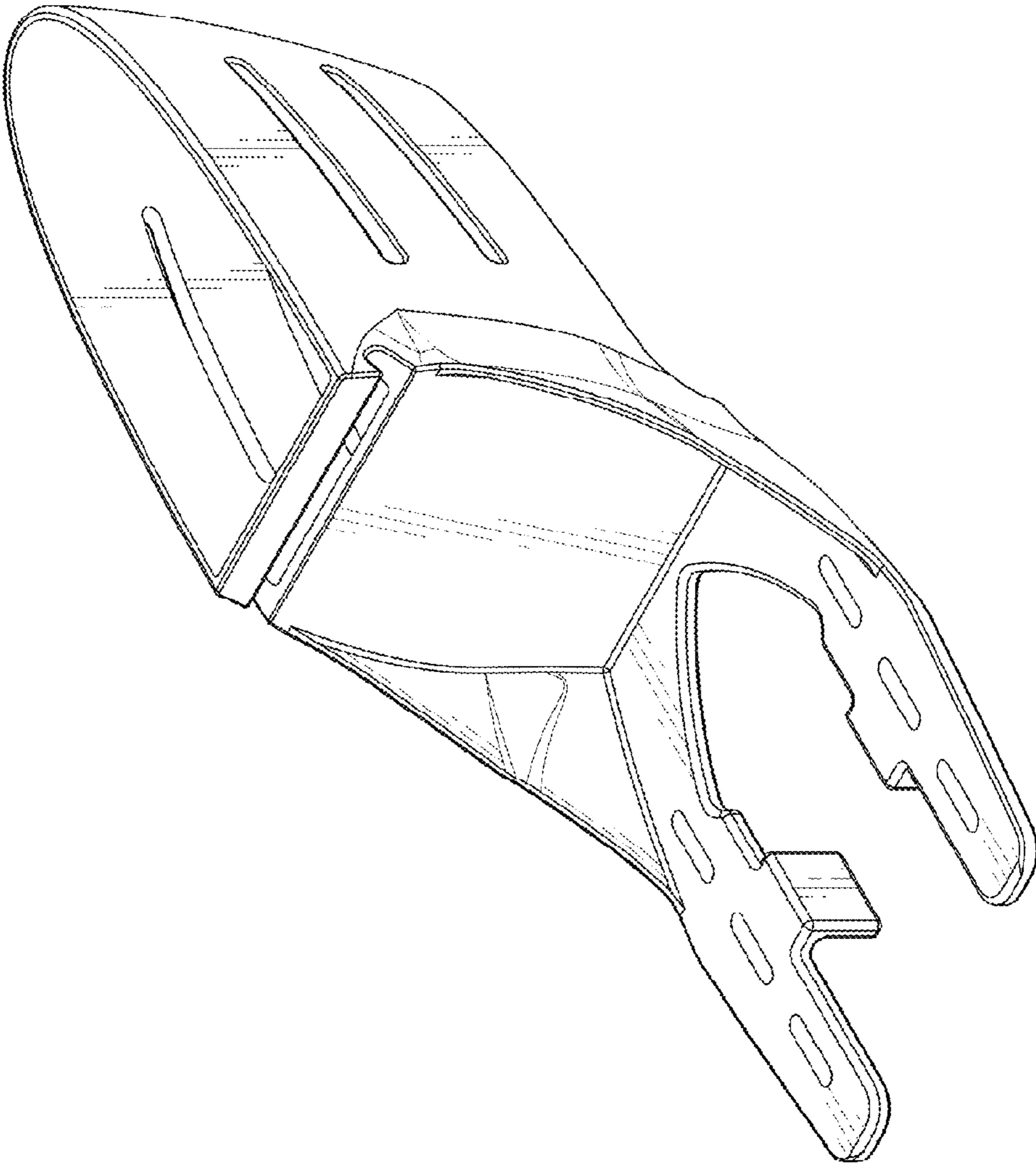


Fig. 1

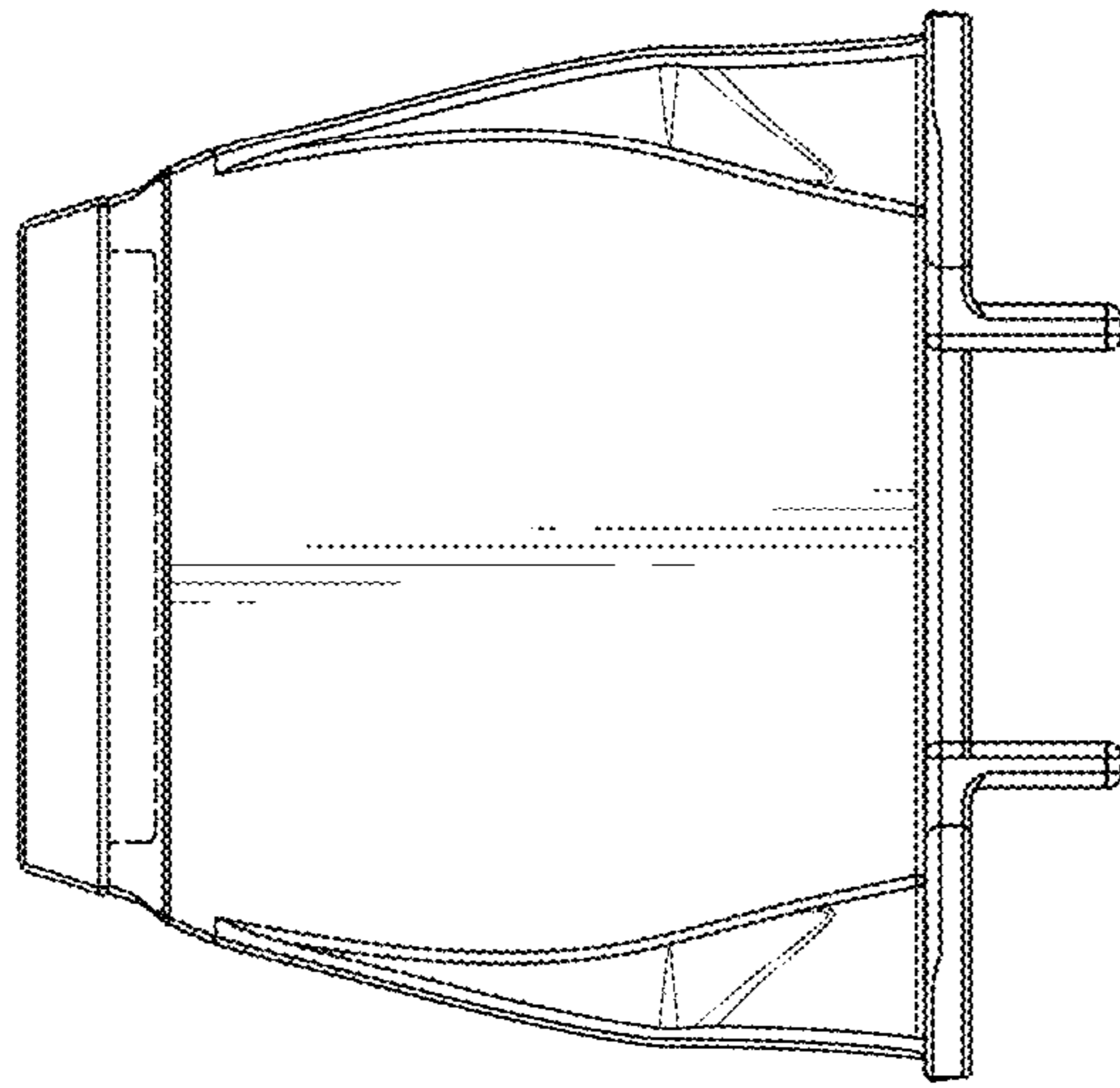


Fig. 2

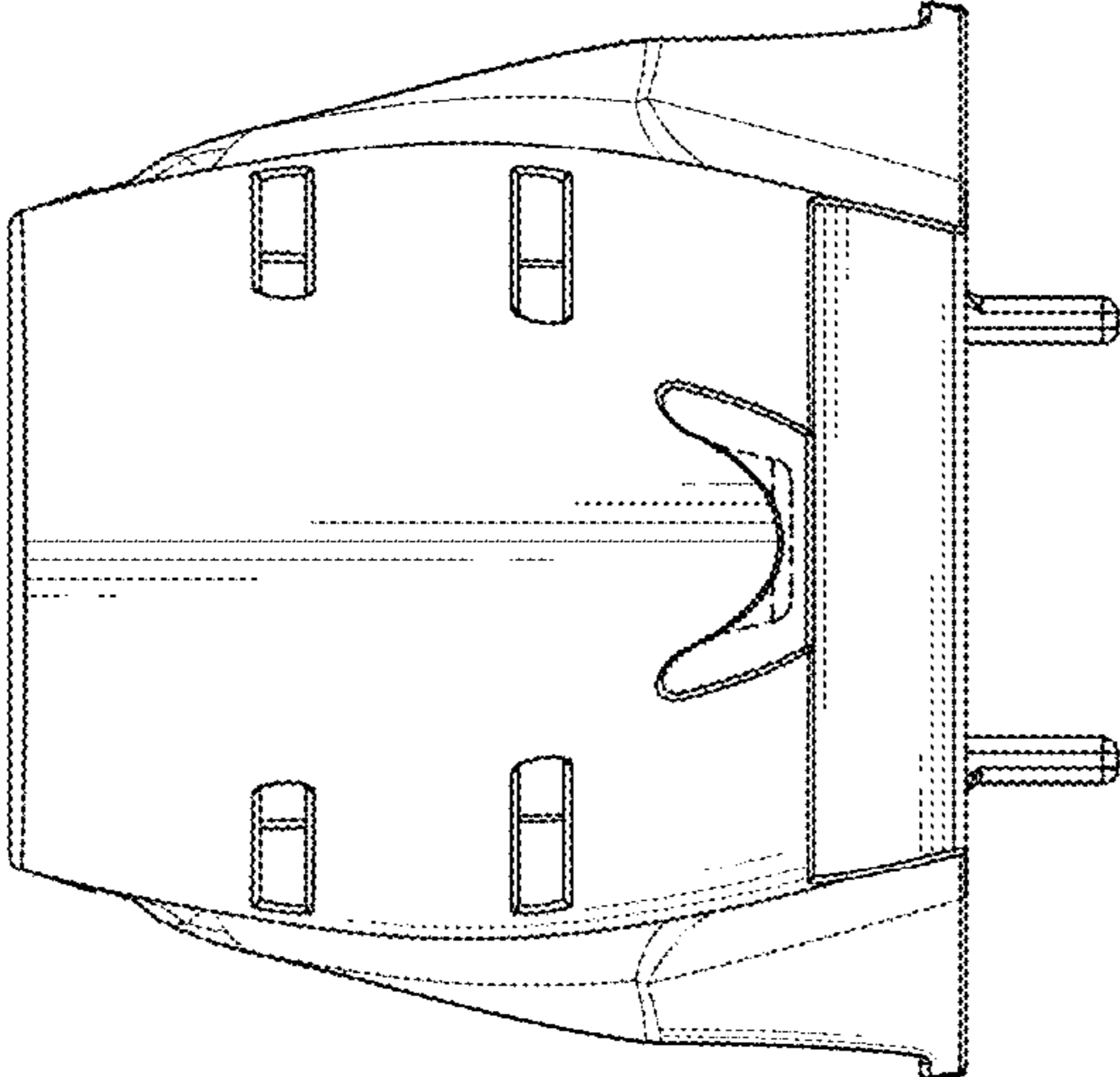


Fig. 3

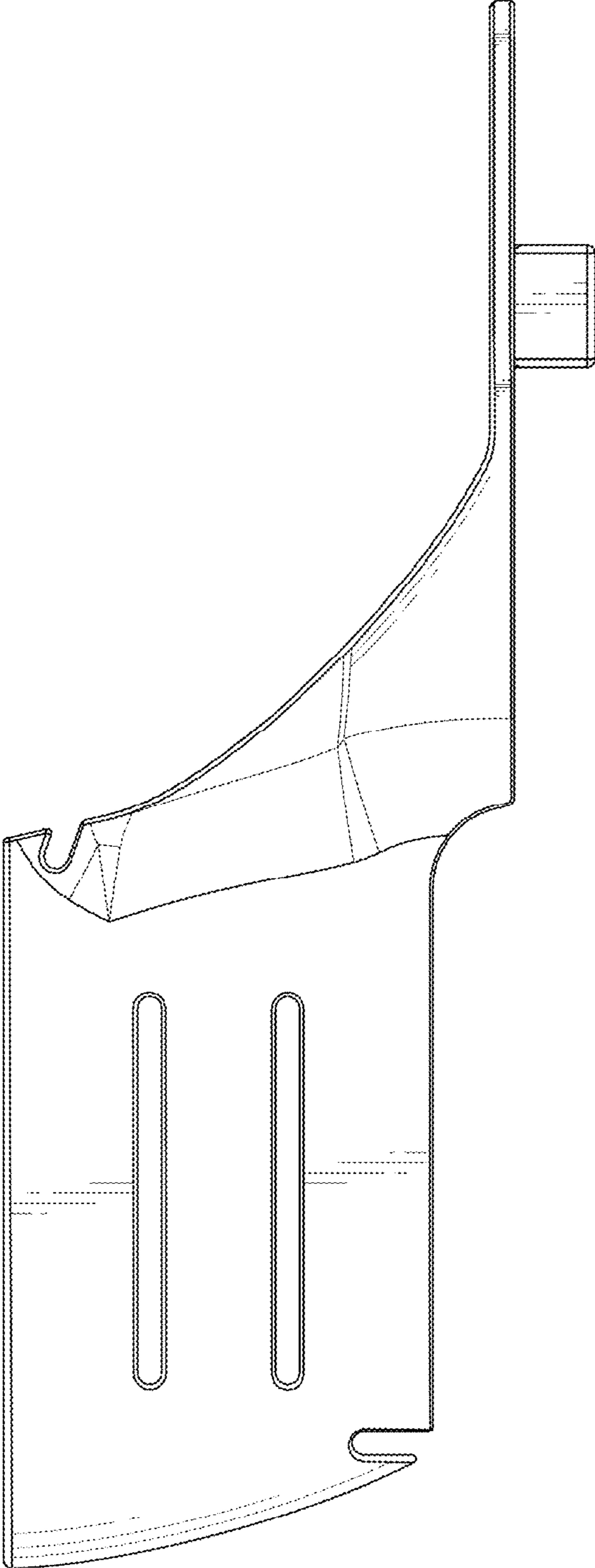


Fig. 4

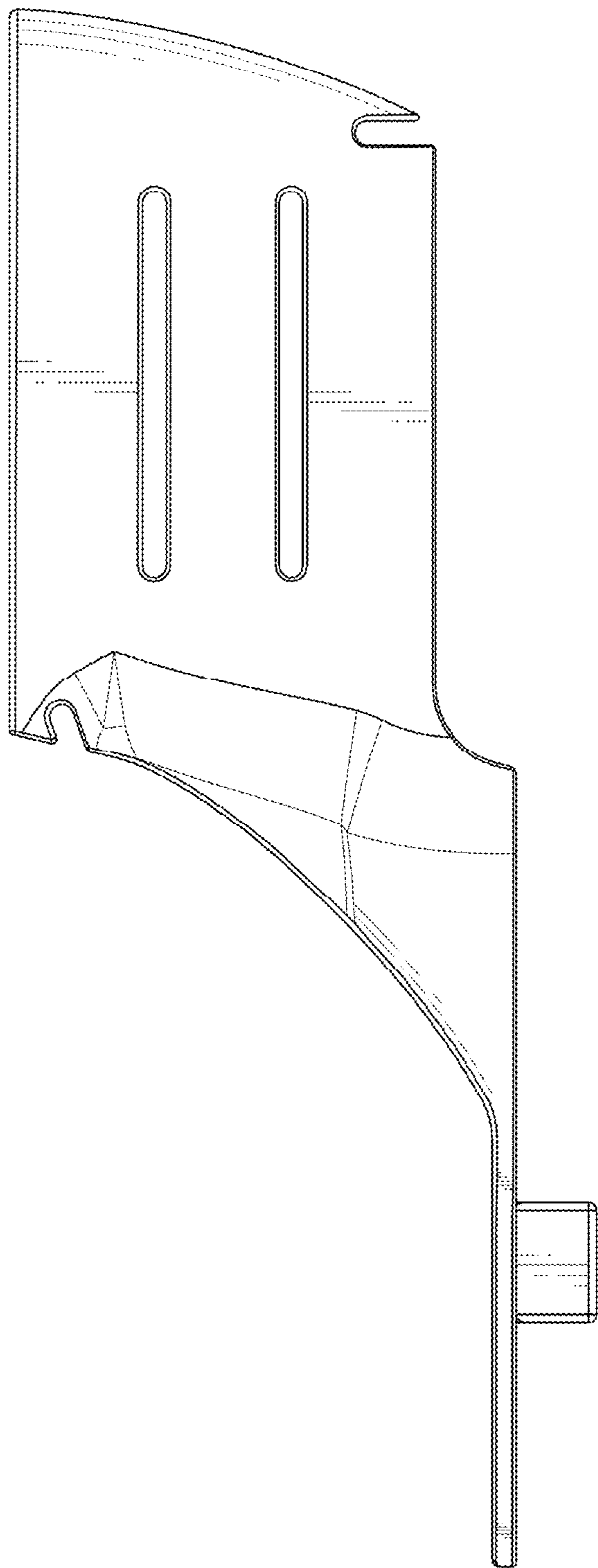


Fig. 5

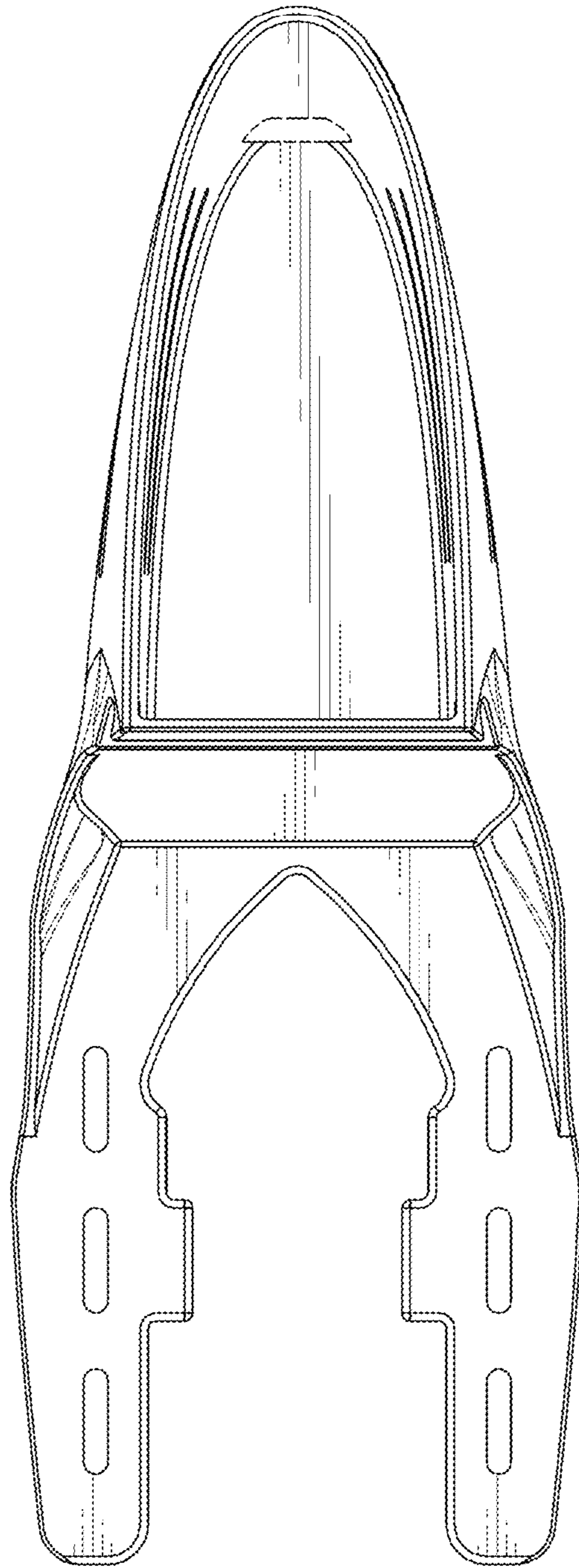


Fig . 6

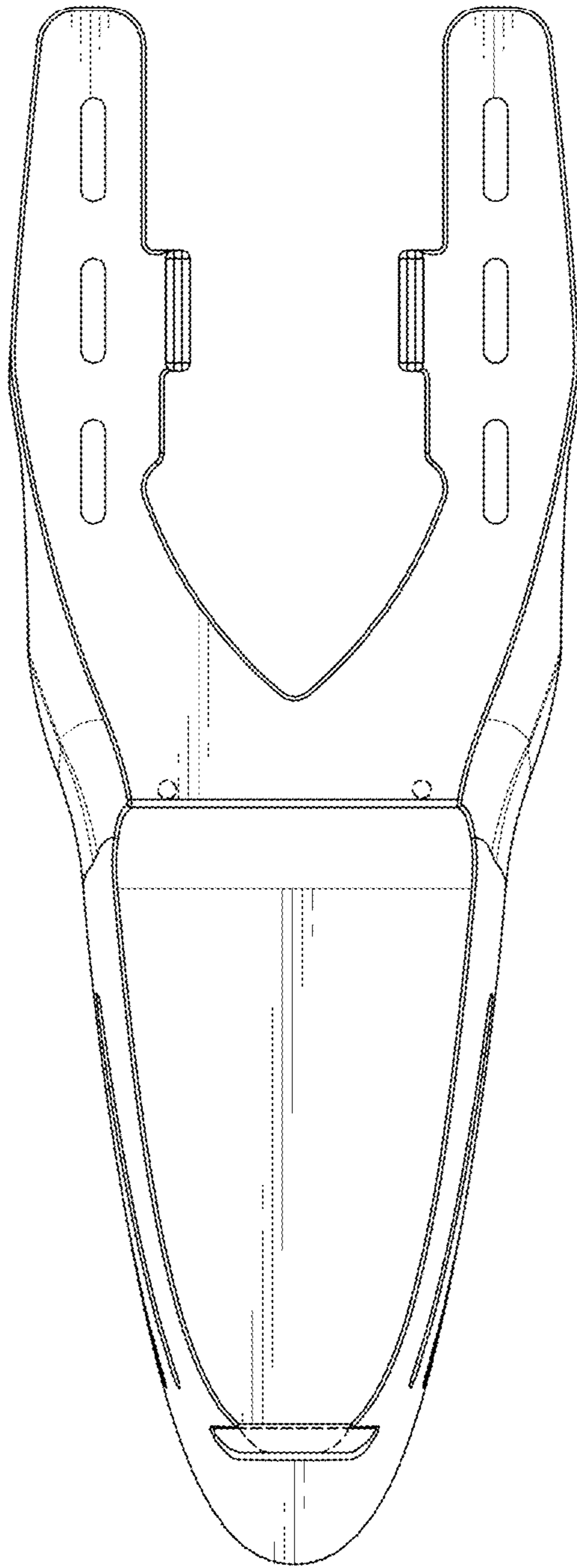


Fig . 7