



US00D763371S

(12) **United States Design Patent**
Fitzgerald

(10) **Patent No.:** **US D763,371 S**
(45) **Date of Patent:** **** Aug. 9, 2016**

- (54) **ROUND BARREL PILATES MACHINE**
- (71) Applicant: **Erin Michelle Fitzgerald**, Gold Coast (AU)
- (72) Inventor: **Erin Michelle Fitzgerald**, Gold Coast (AU)
- (**) Term: **14 Years**
- (21) Appl. No.: **29/511,066**
- (22) Filed: **Dec. 5, 2014**
- (51) **LOC (10) Cl.** **21-02**
- (52) **U.S. Cl.**
USPC **D21/686**
- (58) **Field of Classification Search**
USPC D21/688, 686, 690, 662, 797; 432/140; 482/23, 142, 121, 140, 907, 144, 100, 482/143, 122, 128, 145, 148; 446/216; D6/691.4, 601, 375, 334, 361
CPC A63B 21/4035; A63B 21/0552; A63B 21/4047; A63B 21/023; A63B 23/0211; Y10S 482/907
See application file for complete search history.

- 8,021,273 B2 * 9/2011 Kopp A63B 1/00 297/281
- 8,052,586 B2 11/2011 Hahn
- 8,172,736 B2 5/2012 Contreras
- 8,172,737 B1 * 5/2012 Nihlman A63B 23/03575 482/100
- RE43,981 E * 2/2013 Endelman A63B 21/4037 482/121
- D685,867 S 7/2013 Mehlman
- D695,857 S * 12/2013 Sterios D21/686

(Continued)

OTHER PUBLICATIONS

Round Pilates Barrel by Innovate Pilates dated no date given. Found online [Mar. 14, 2016] <https://www.youtube.com/watch?v=UEMkkqGUw5Q>.*

Primary Examiner — Robert M Spear
Assistant Examiner — Ryan Harvey

(57) **CLAIM**

The ornamental design for a round barrel pilates machine, as shown and described.

DESCRIPTION

FIG. 1 is a top perspective view of a round barrel pilates machine showing my new design.

FIG. 2 is a bottom perspective view of the round barrel pilates machine of FIG. 1.

FIG. 3 is a right elevation view of the round barrel pilates machine of FIG. 1.

FIG. 4 is a left elevation view of the round barrel pilates machine of FIG. 1.

FIG. 5 is a rear elevation view of the round barrel pilates machine of FIG. 1.

FIG. 6 is a front elevation view of the round barrel pilates machine of FIG. 1.

FIG. 7 is a top plan view of the round barrel pilates machine of FIG. 1; and,

FIG. 8 is a bottom plan view of the round barrel pilates machine of FIG. 1.

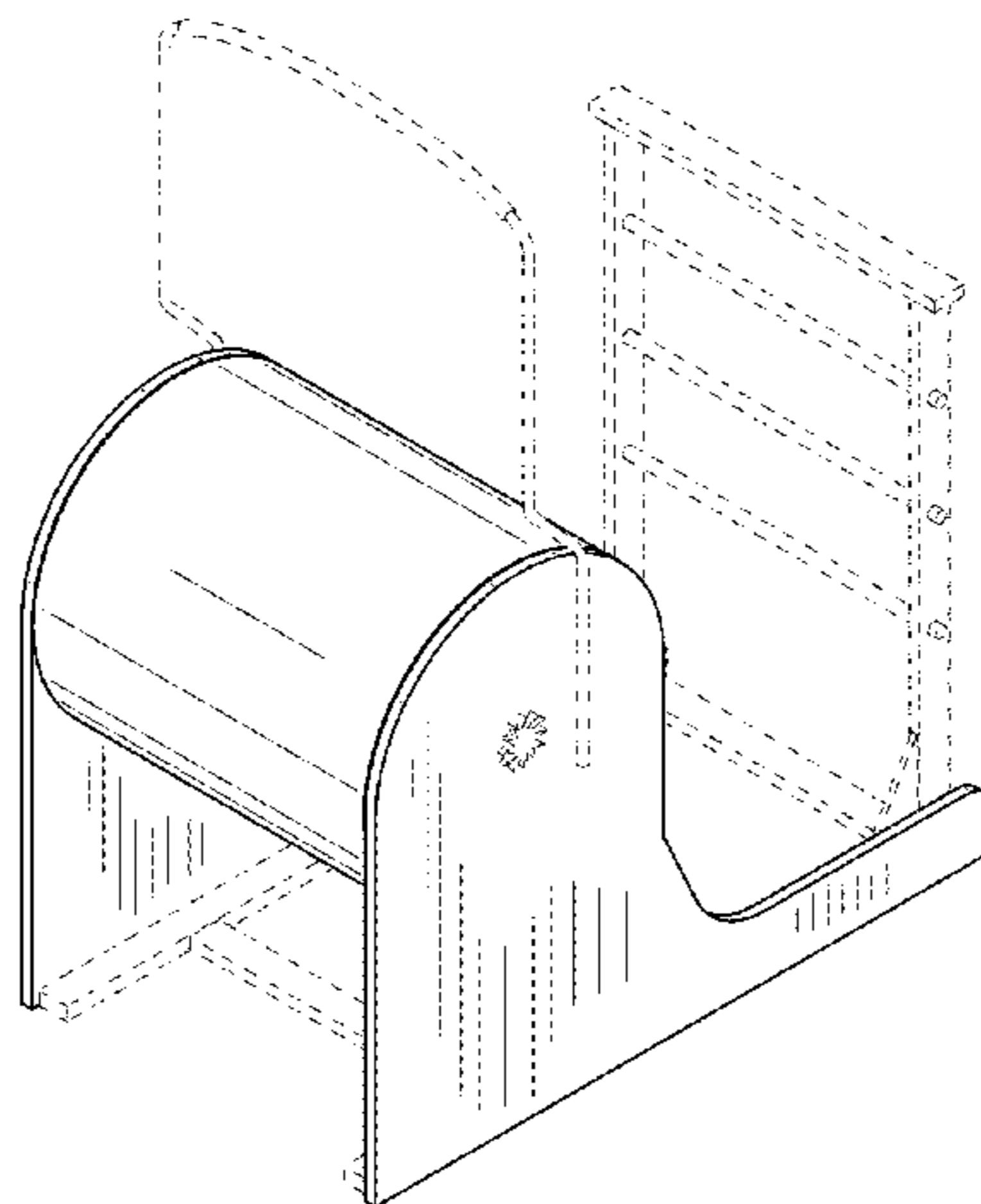
The broken lines depict portions of the round barrel pilates machine that form no part of the claimed design.

1 Claim, 7 Drawing Sheets

(56) **References Cited**

U.S. PATENT DOCUMENTS

- 4,210,322 A * 7/1980 Pritchard A63B 21/00047 446/216
- 5,221,246 A * 6/1993 Torii A63B 21/00054 482/121
- D361,905 S * 9/1995 Adams D6/334
- 6,623,270 B1 * 9/2003 Meldeau A63B 21/00047 432/140
- 6,634,999 B2 10/2003 Herbst
- 6,692,418 B2 * 2/2004 Shahan A63B 23/02 482/143
- 7,044,898 B2 5/2006 Kuo
- D532,828 S * 11/2006 Muramatsu D21/690
- D555,741 S * 11/2007 Wachtfogel D21/662
- 7,311,644 B2 12/2007 Hale
- D571,871 S * 6/2008 Backstrand D21/686
- D578,805 S * 10/2008 Diekman D6/601
- 7,740,571 B1 6/2010 Le
- 7,854,695 B2 12/2010 Lightbourne
- 7,942,795 B2 * 5/2011 Harris A63B 23/03575 482/140



(56)

References Cited

U.S. PATENT DOCUMENTS

D703,772 S * 4/2014 Sterios D21/688
D740,902 S * 10/2015 Albert D21/797
2009/0264265 A1* 10/2009 Contreras A63B 21/00047
482/99
2010/0152007 A1* 6/2010 Le A63B 26/003
482/148

2010/0179038 A1* 7/2010 Hahn A63B 17/00
482/142
2014/0378283 A1* 12/2014 Qiu A63B 26/00
482/142
2015/0011370 A1* 1/2015 Henniger A63B 21/00047
482/145
2015/0367168 A1* 12/2015 Henniger A63B 23/0222
482/145

* cited by examiner

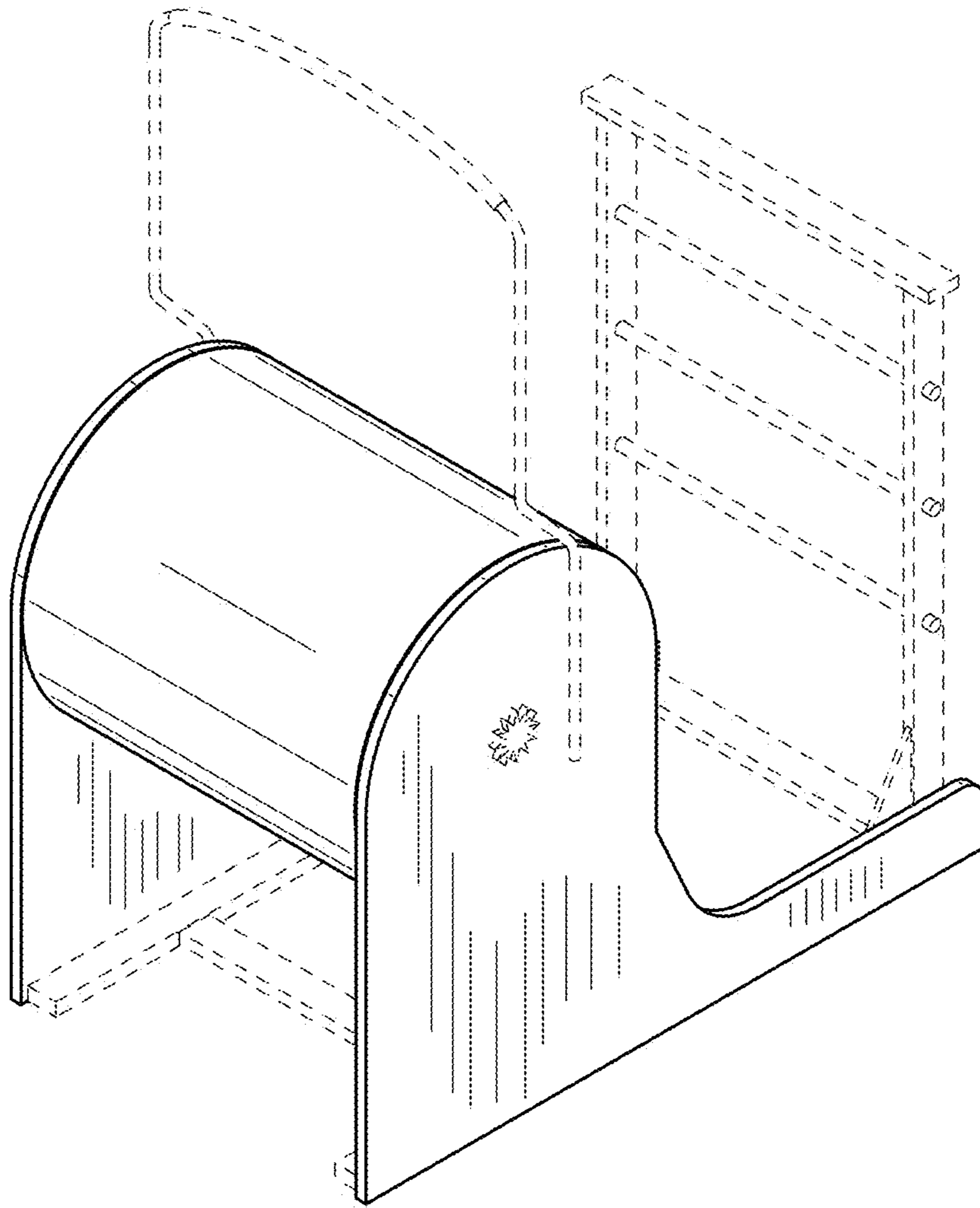


FIG.1

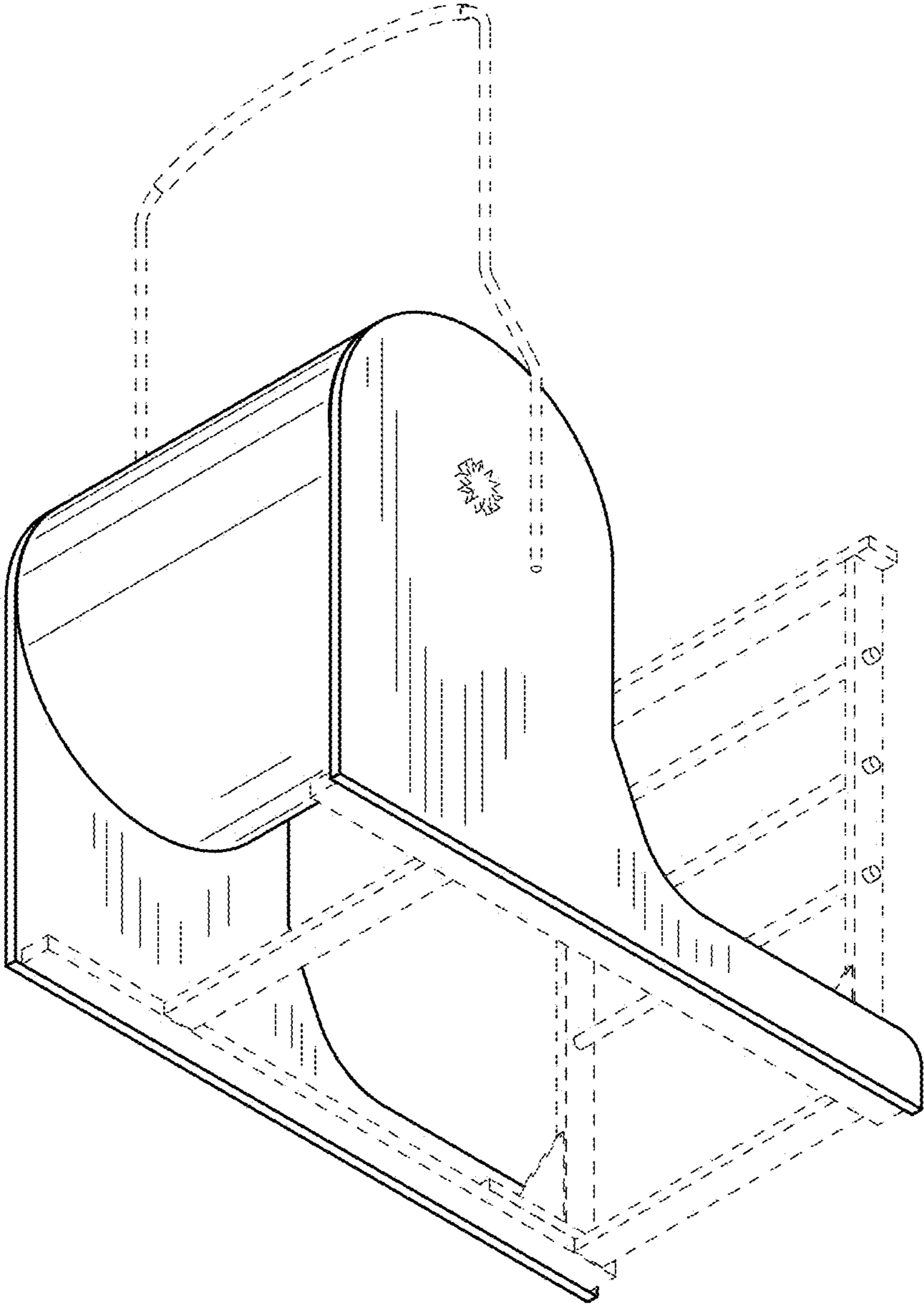


FIG.2

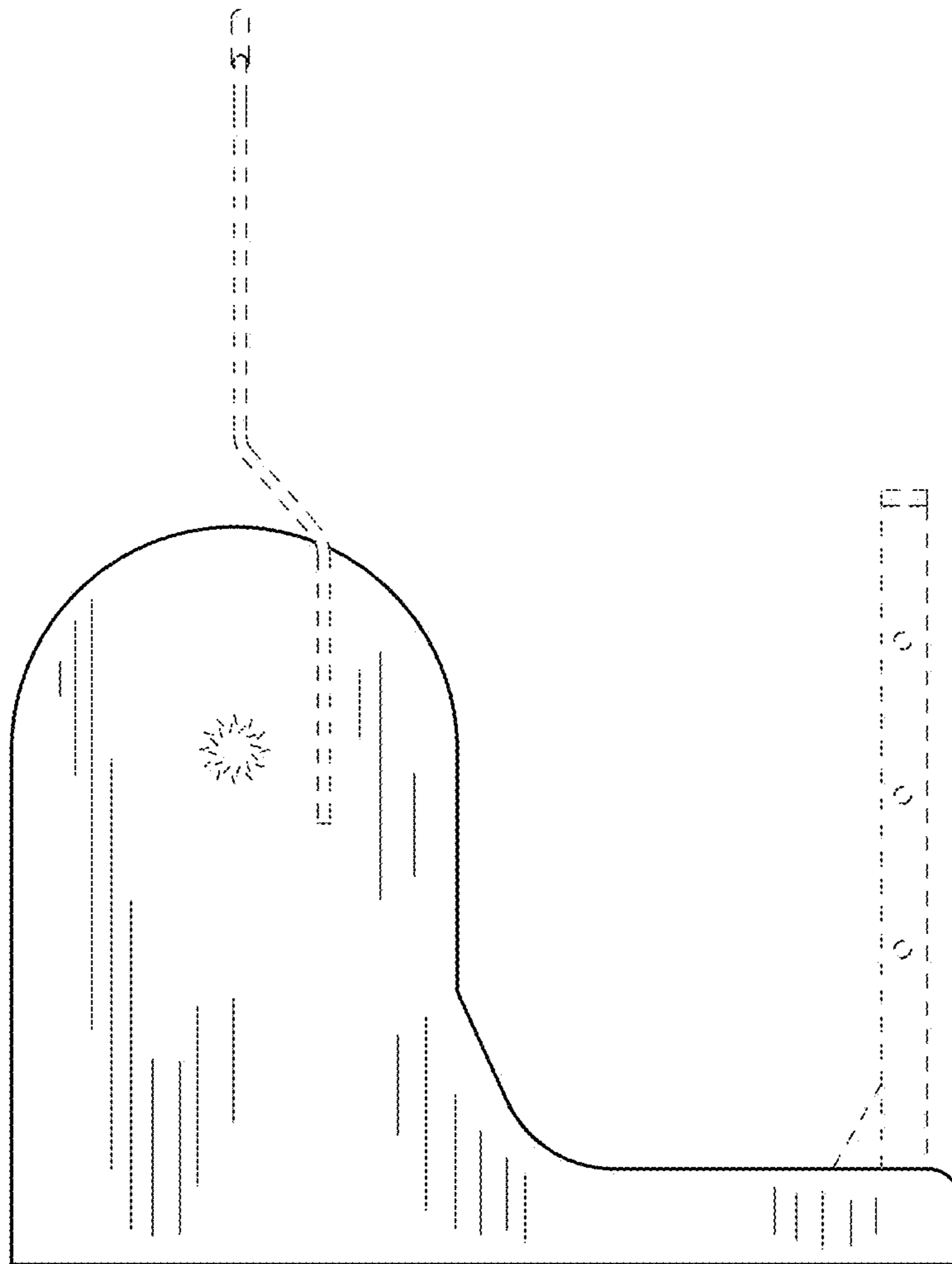


FIG.3

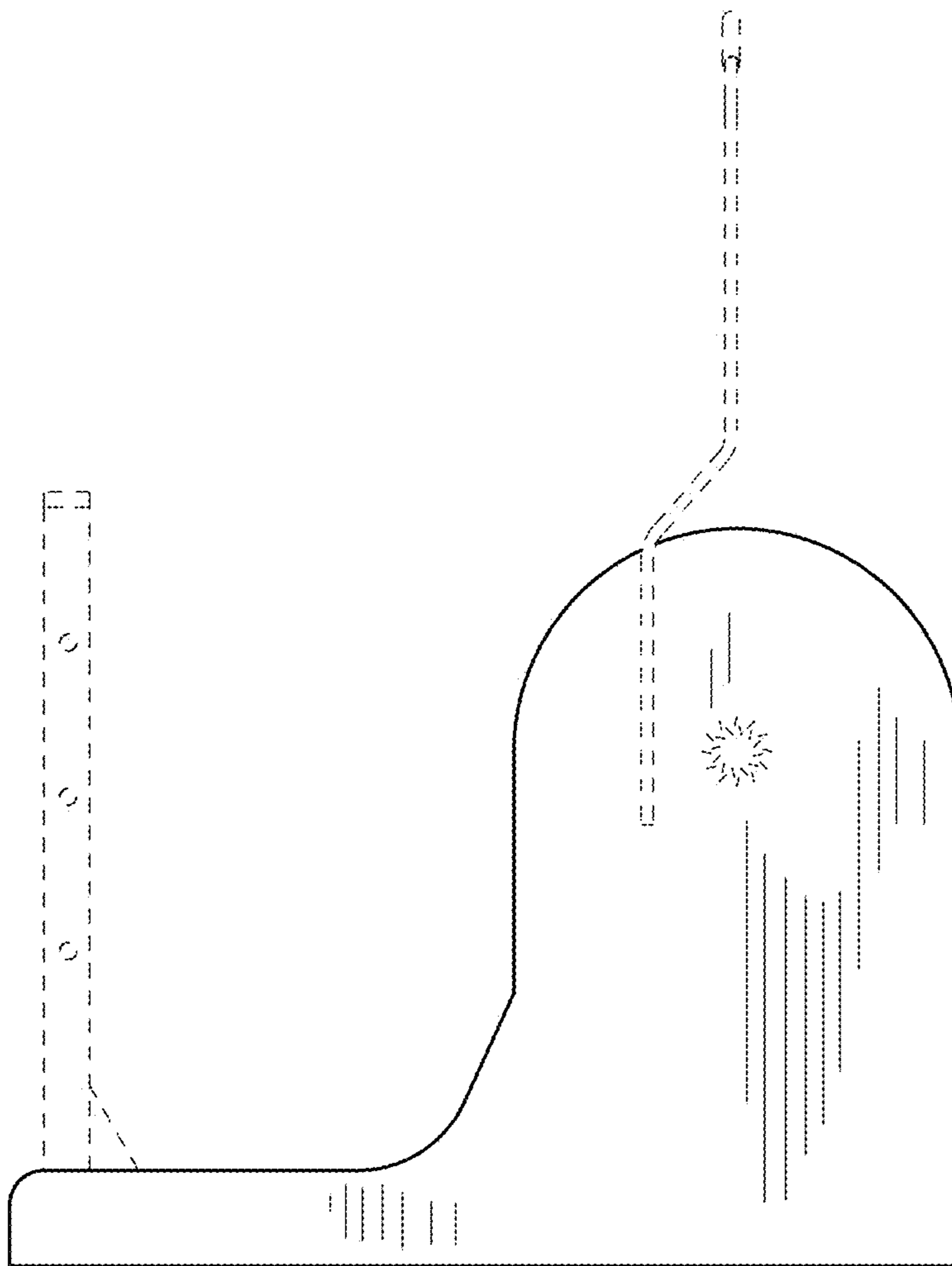


FIG.4

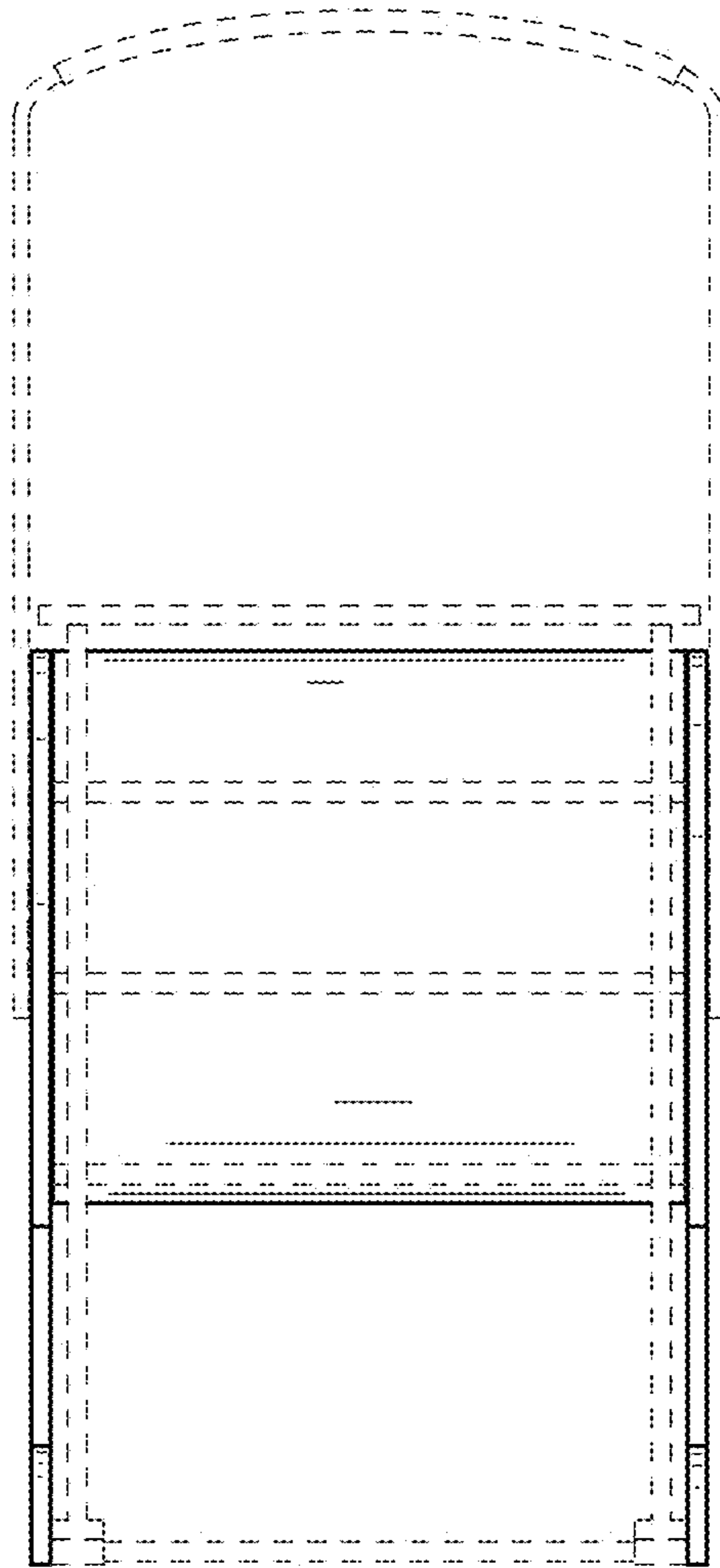


FIG.5

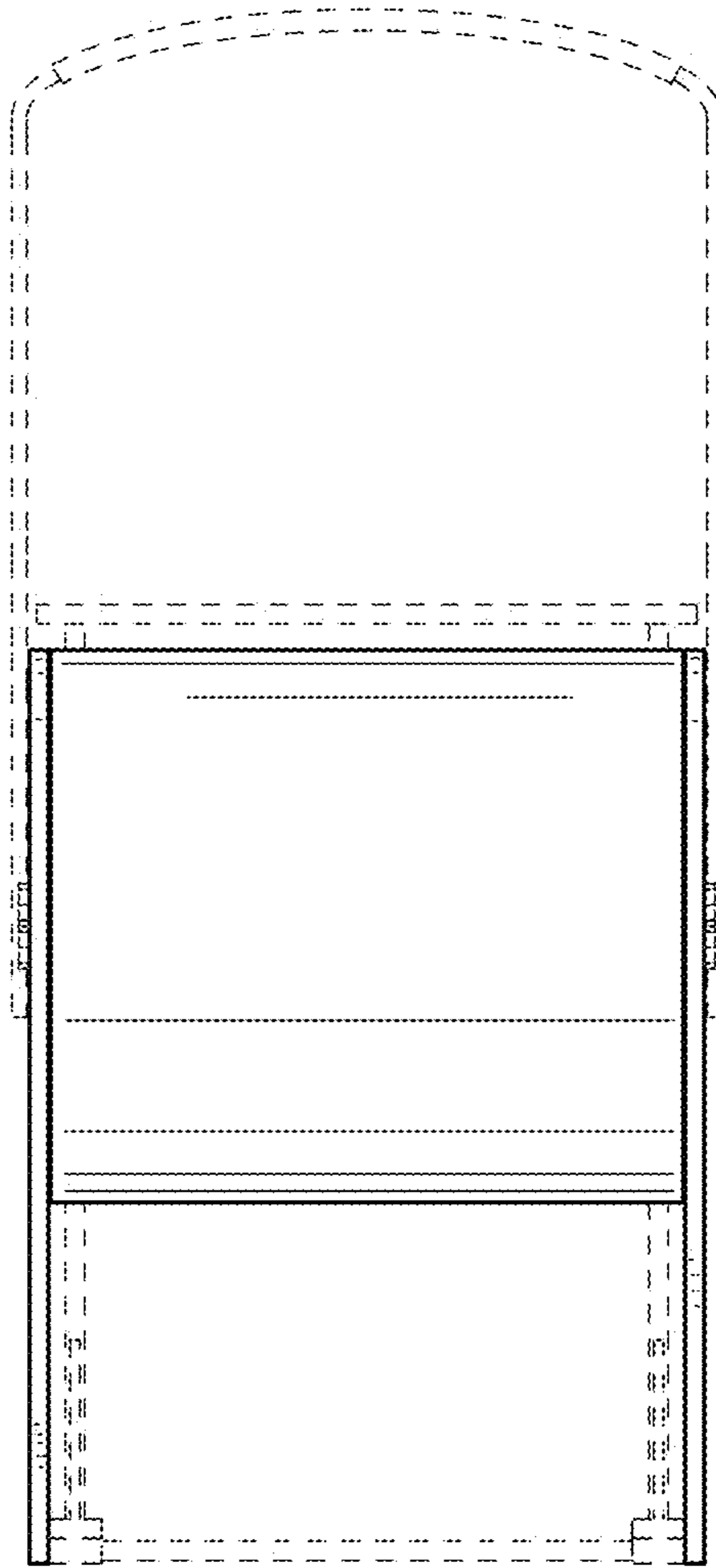


FIG.6

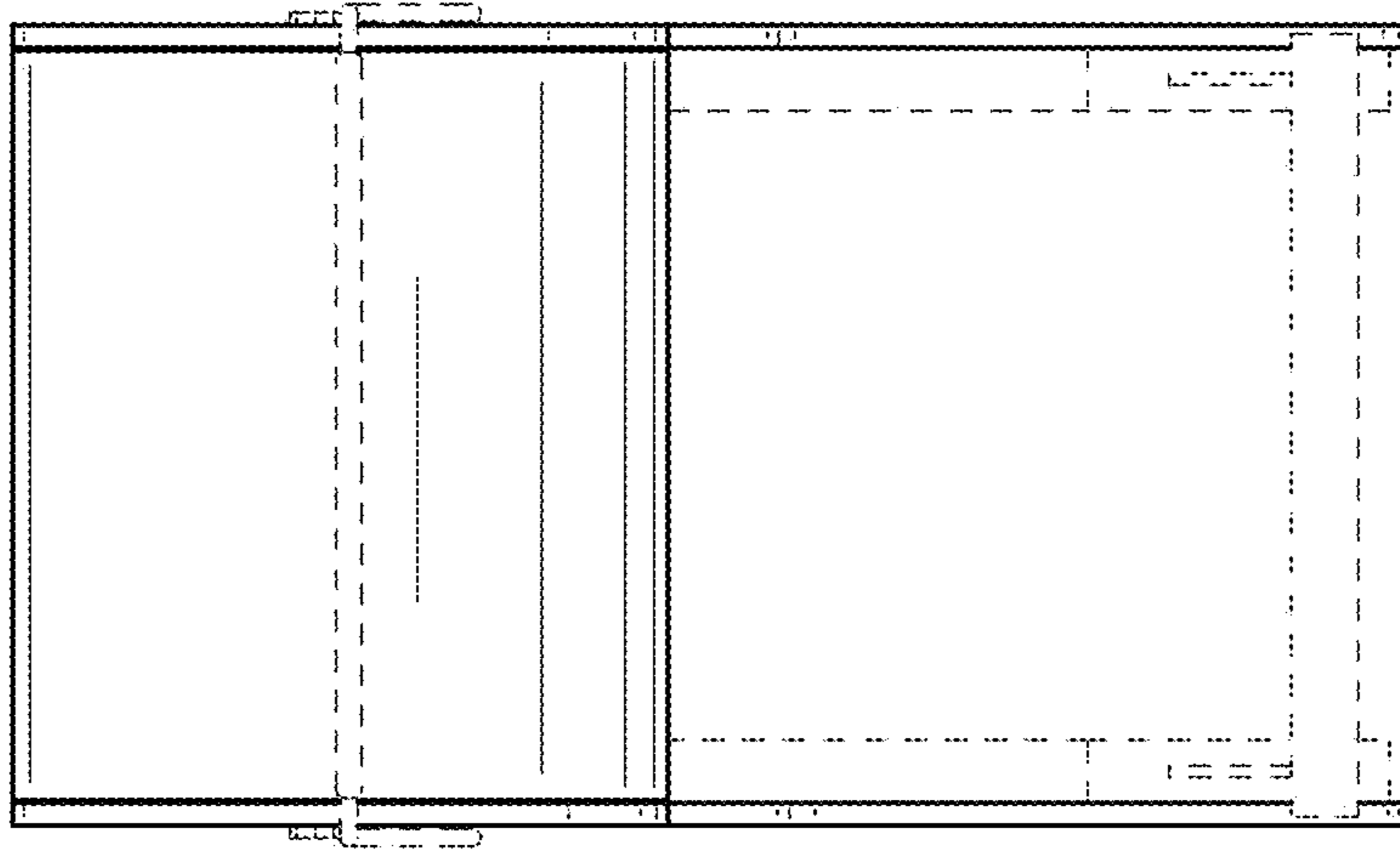


FIG. 7

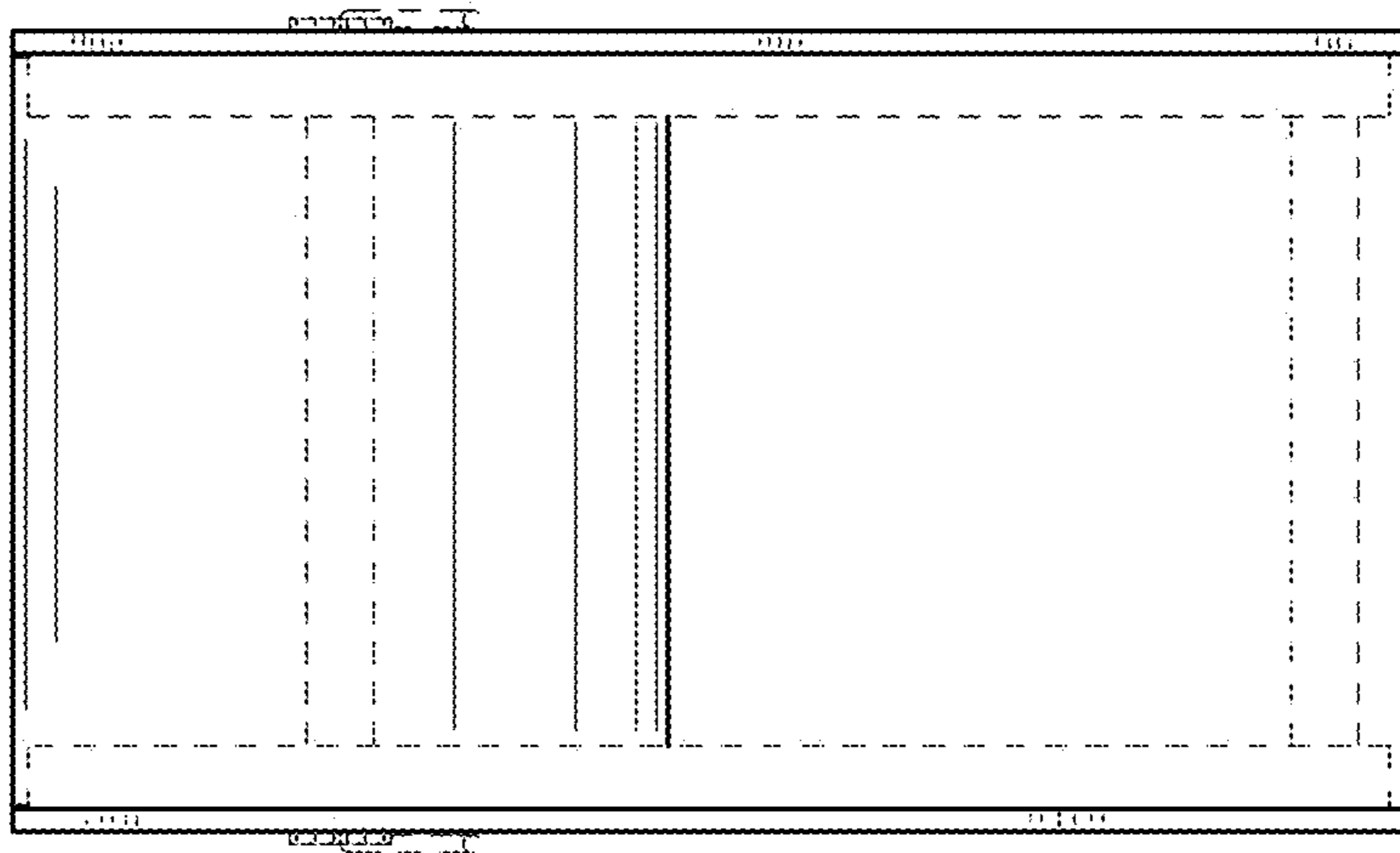


FIG. 8