

US00D763366S

(12) **United States Design Patent**
Timg

(10) **Patent No.:** **US D763,366 S**

(45) **Date of Patent:** **** Aug. 9, 2016**

(54) **BOND BEAM MODEL CONSTRUCTION COMPONENT**

(71) Applicant: **Buster Timg**, Brooklyn, NY (US)

(72) Inventor: **Buster Timg**, Brooklyn, NY (US)

(**) Term: **15 Years**

(21) Appl. No.: **29/527,472**

(22) Filed: **May 19, 2015**

(51) **LOC (10) Cl.** **21-01**

(52) **U.S. Cl.**
USPC **D21/501**

(58) **Field of Classification Search**
USPC D21/386, 389, 404, 468, 470, 471,
D21/484-505; 446/69, 85, 102-128;
434/208, 259, 403; 273/153, 156, 160;
D25/113-116, 118
CPC A63H 33/00; A63H 33/04; A63H 33/044;
A63H 33/06; A63H 33/08; A63H 33/084;
A63H 33/086; A63H 33/088; A63H 33/10;
A63H 33/12; A63H 33/105; A63H 33/108;
A63H 3/00; A63H 3/16; A63H 3/46; E04C
2/20; E04C 2/30; E04B 2/28
See application file for complete search history.

(56) **References Cited**

U.S. PATENT DOCUMENTS

1,542,909 A * 6/1925 Regan E04B 2/28
29/27 B
3,002,315 A 10/1961 Kuhn
3,195,266 A 7/1965 Onanian
D333,355 S * 2/1993 Adams D25/118

6,073,404 A 6/2000 Norfleet
D428,499 S * 7/2000 Bazzocchi D25/113
D463,040 S * 9/2002 Cerrato D25/114
D476,749 S * 7/2003 Cerrato D25/114
6,746,297 B2 6/2004 Robjent
D502,554 S * 3/2005 Luaces D25/118
7,186,161 B2 3/2007 Salas Peralta
D594,512 S 6/2009 Richards
8,382,548 B2 2/2013 Maggiore
D688,810 S * 8/2013 Liu D25/113

FOREIGN PATENT DOCUMENTS

EP 0048560 3/1982
WO WO9929975 6/1999
WO WO2011008555 1/2011

* cited by examiner

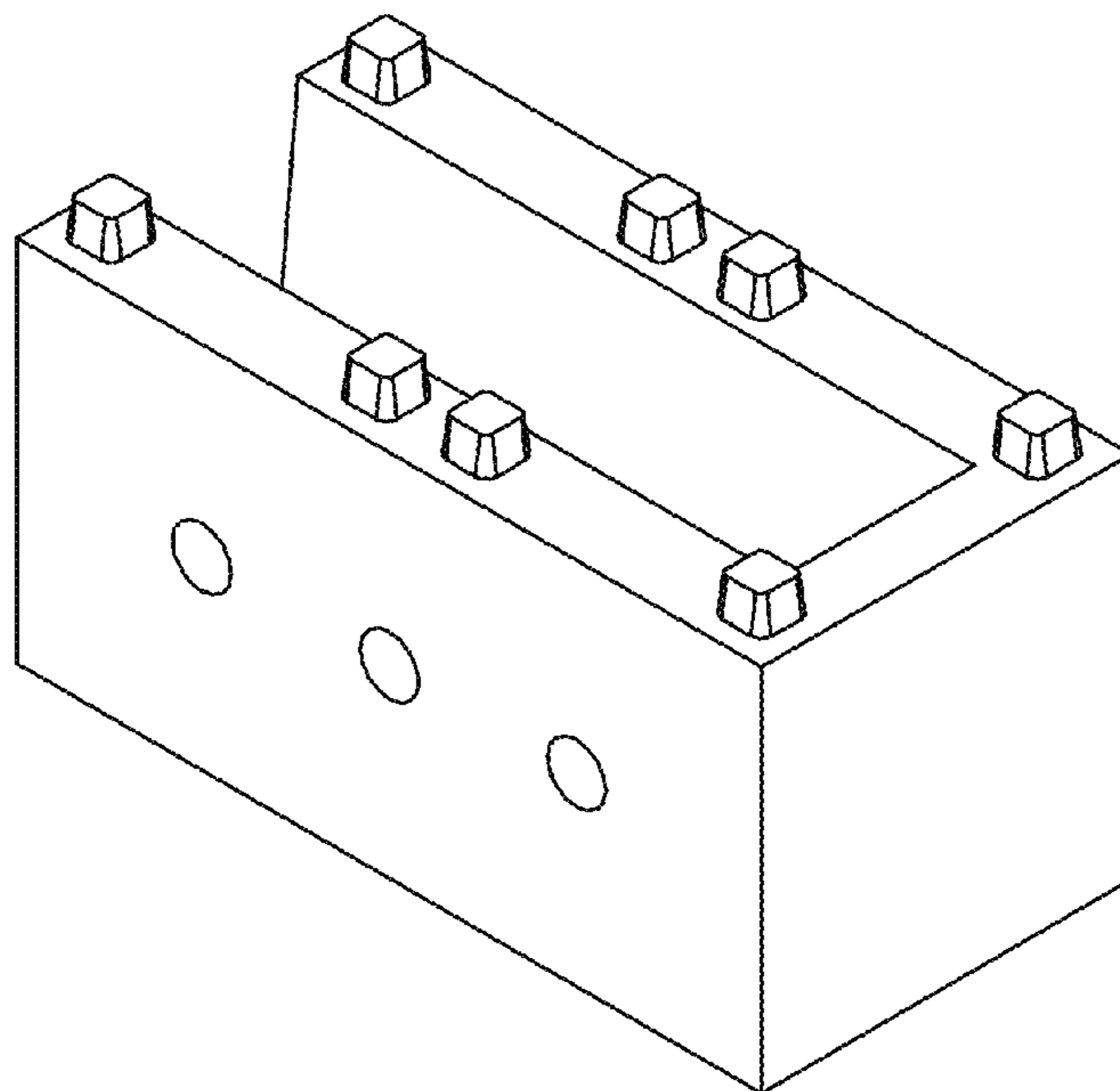
Primary Examiner — Cynthia M Chin
(74) *Attorney, Agent, or Firm* — Goldstein Law Offices, P.C.

(57) **CLAIM**
The ornamental design for a bond beam model construction component, as shown and described.

DESCRIPTION

FIG 1 is a perspective view of the bond beam model construction component.
FIG. 2 is a top plan view thereof
FIG. 3 is a bottom plan view thereof, wherein portions of the drawing shown in broken lines form no part of the claimed design.
FIG. 4 is a front elevational plan view thereof.
FIG. 5 is a rear elevational view thereof.
FIG. 6 is a left side elevational view thereof; and,
FIG. 7 is a right side elevational view thereof.

1 Claim, 4 Drawing Sheets



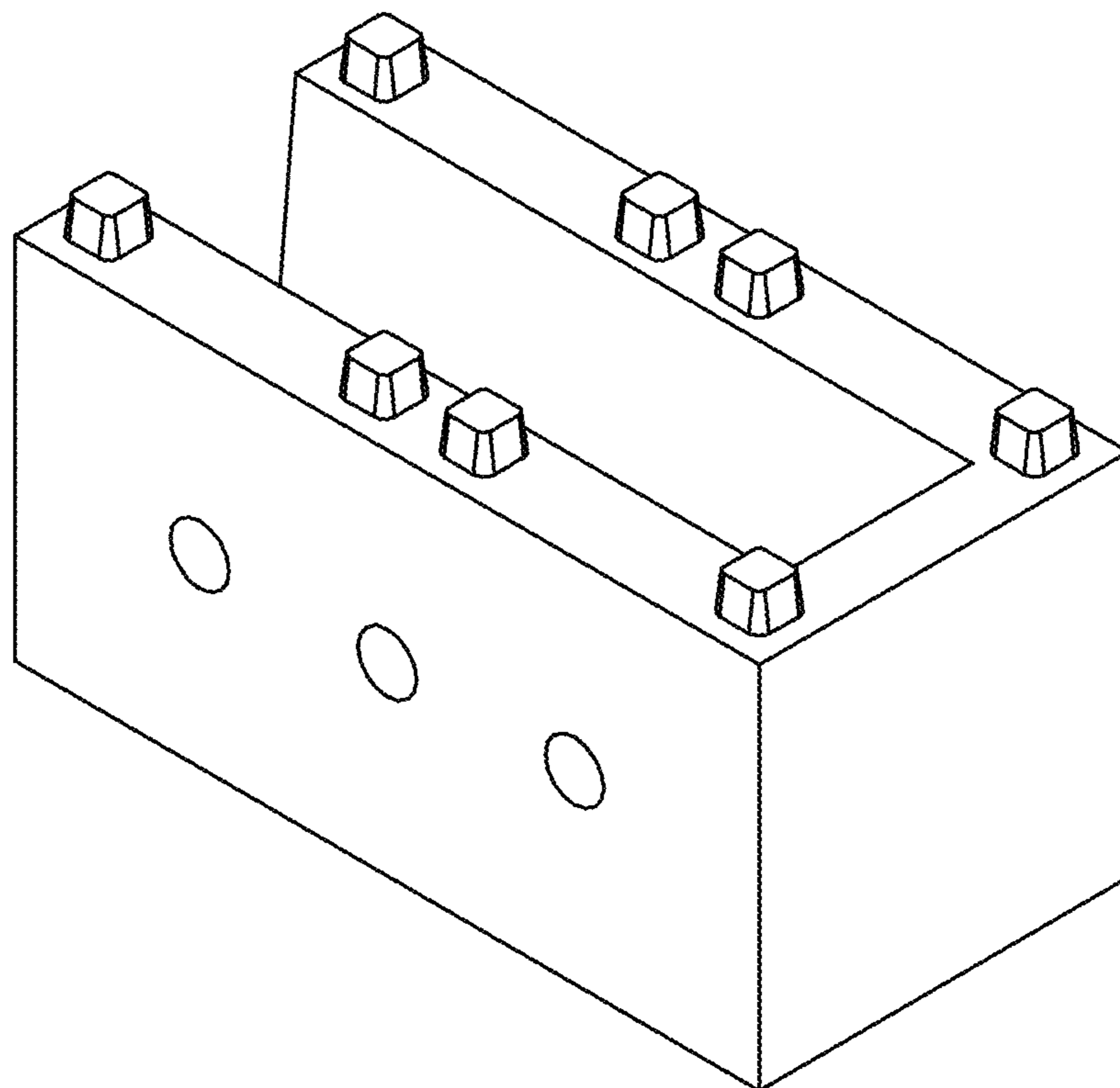


FIG. 1

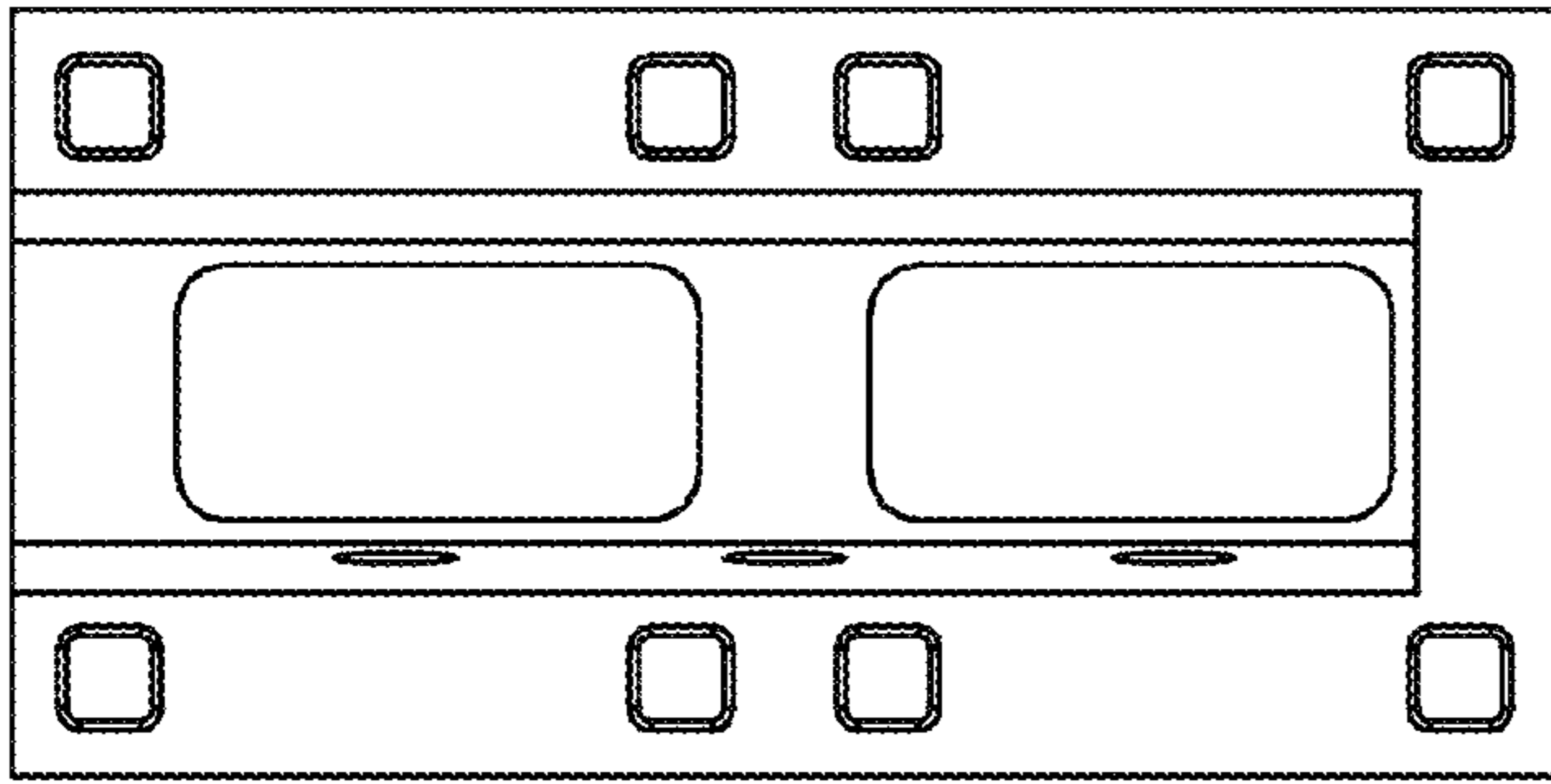


FIG. 2

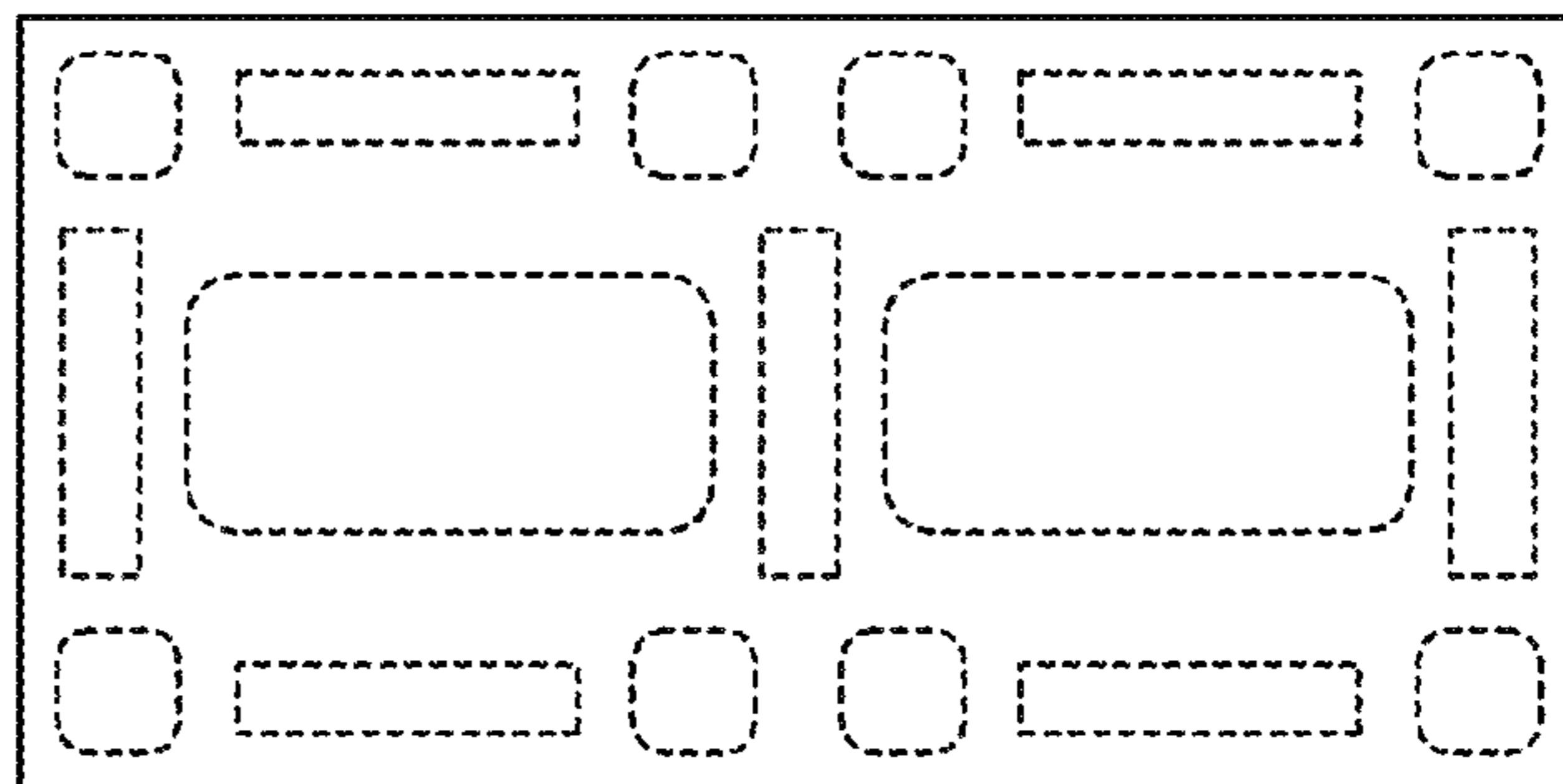


FIG. 3

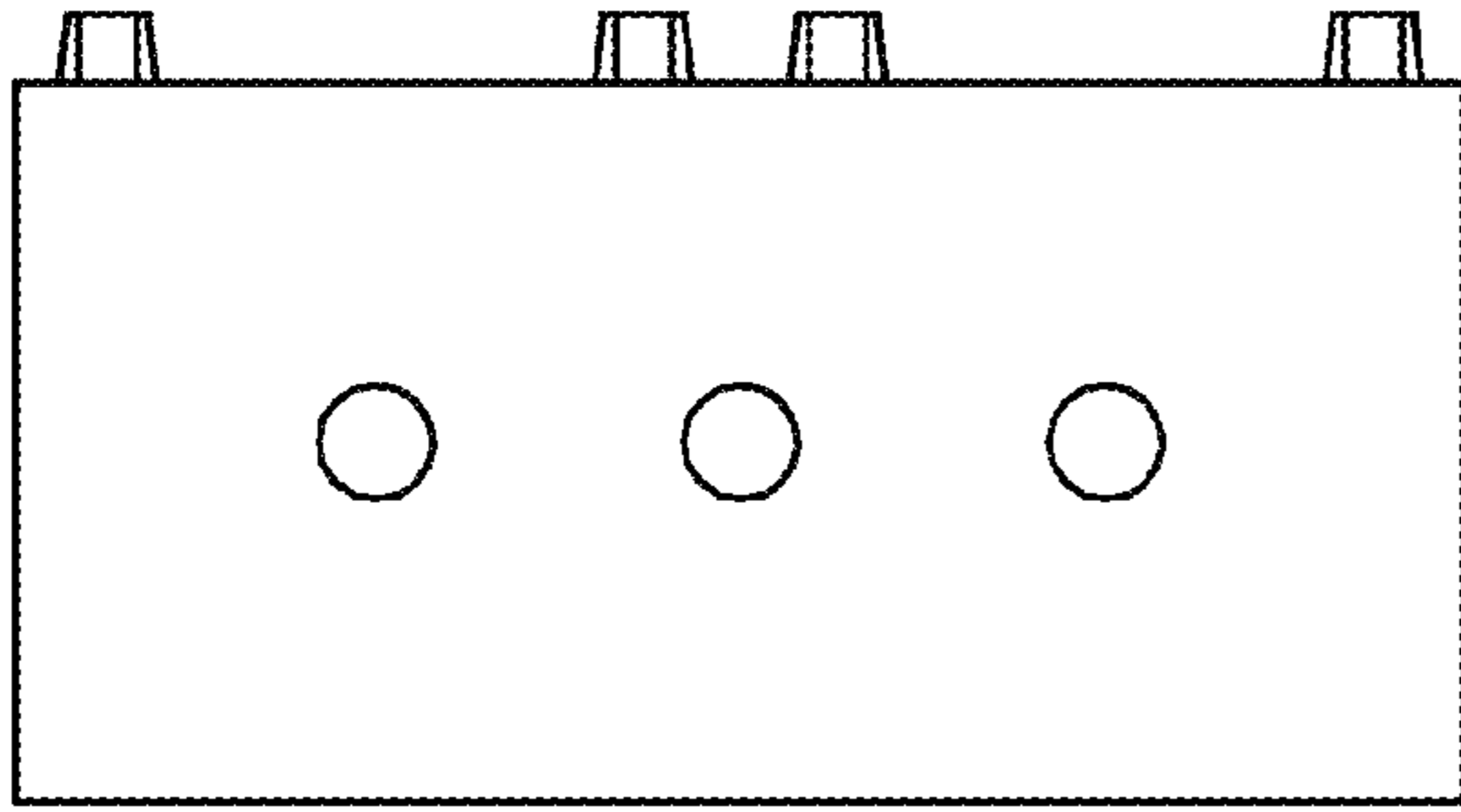


FIG. 4

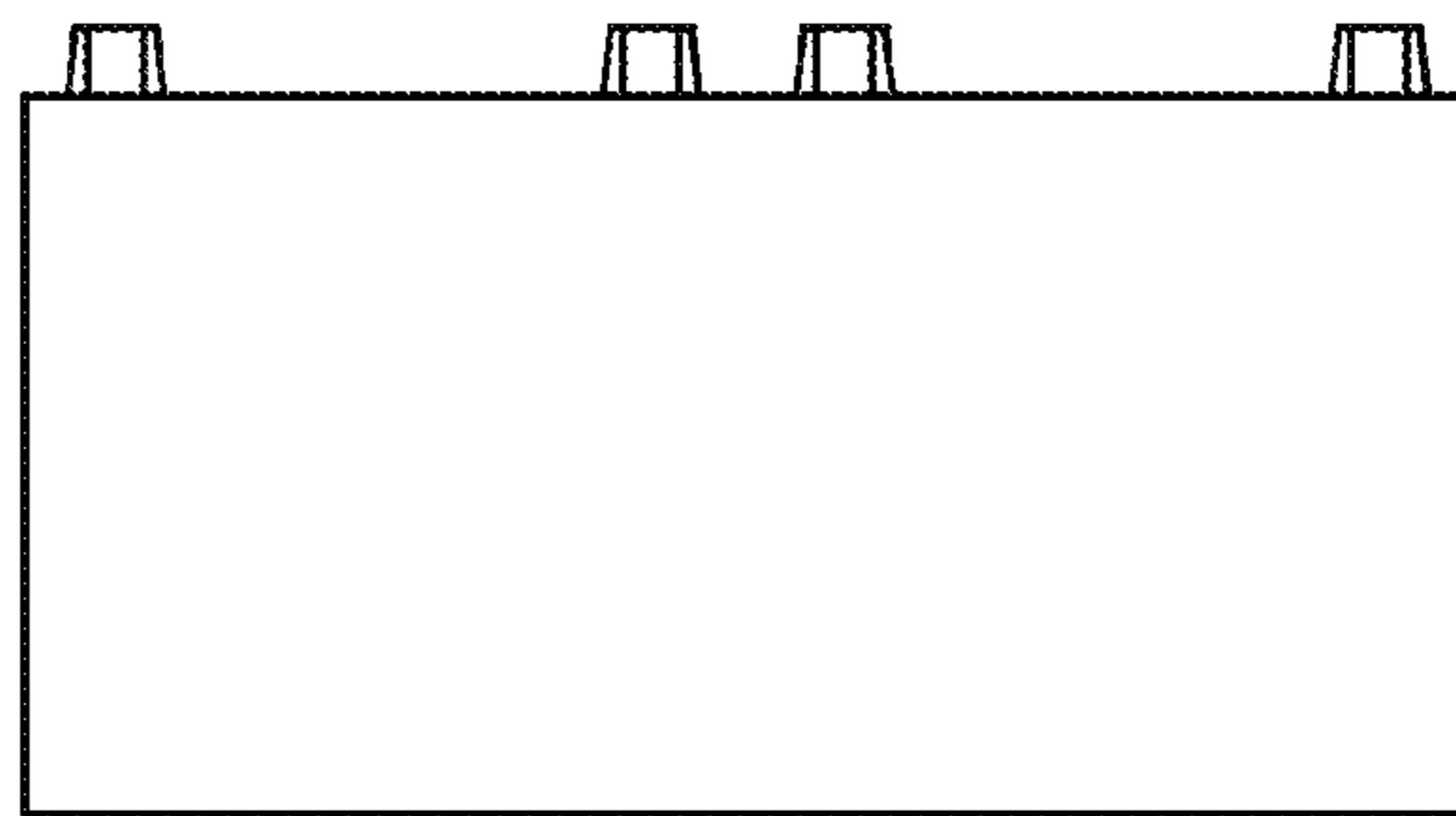


FIG. 5

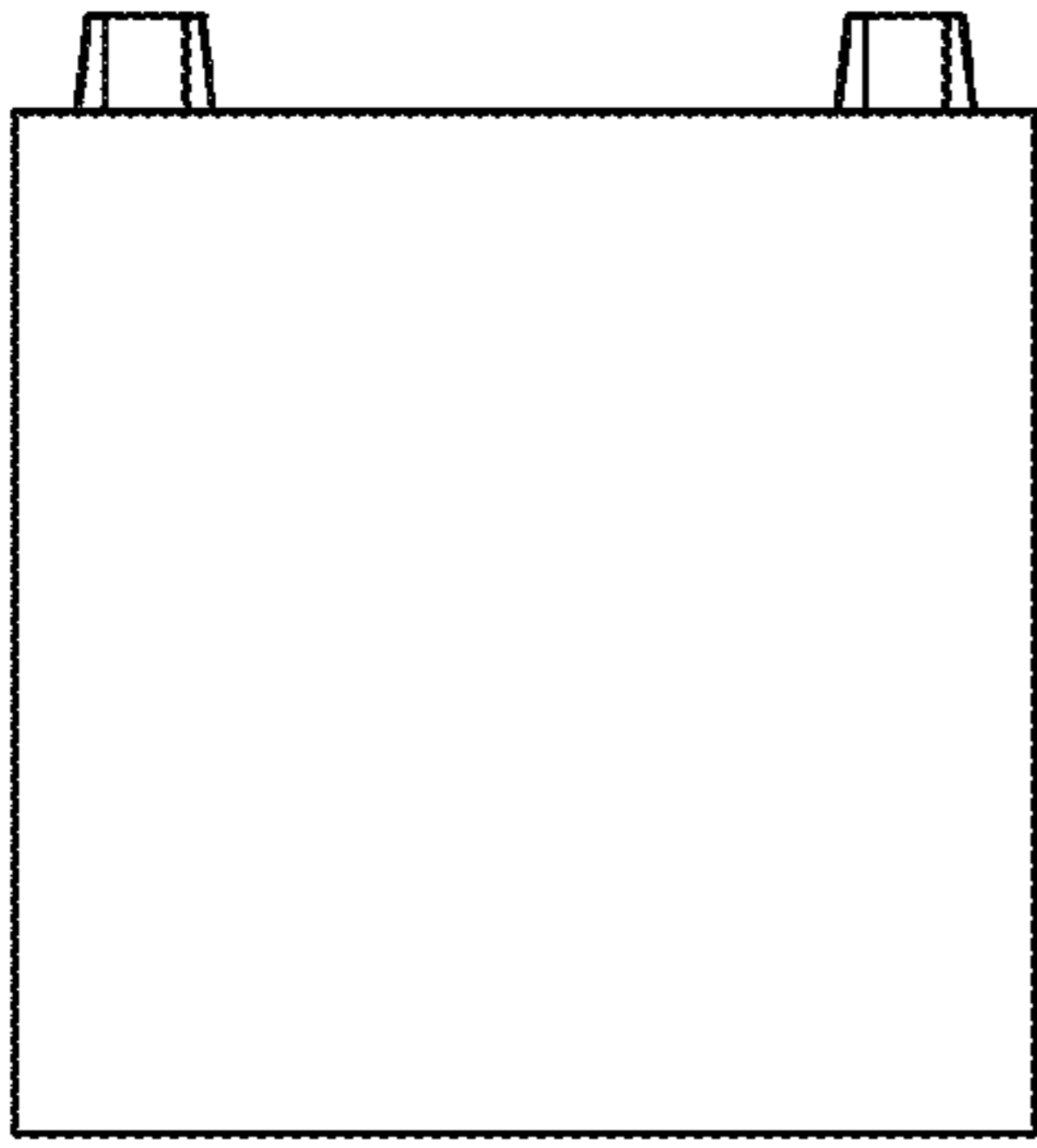


FIG. 6

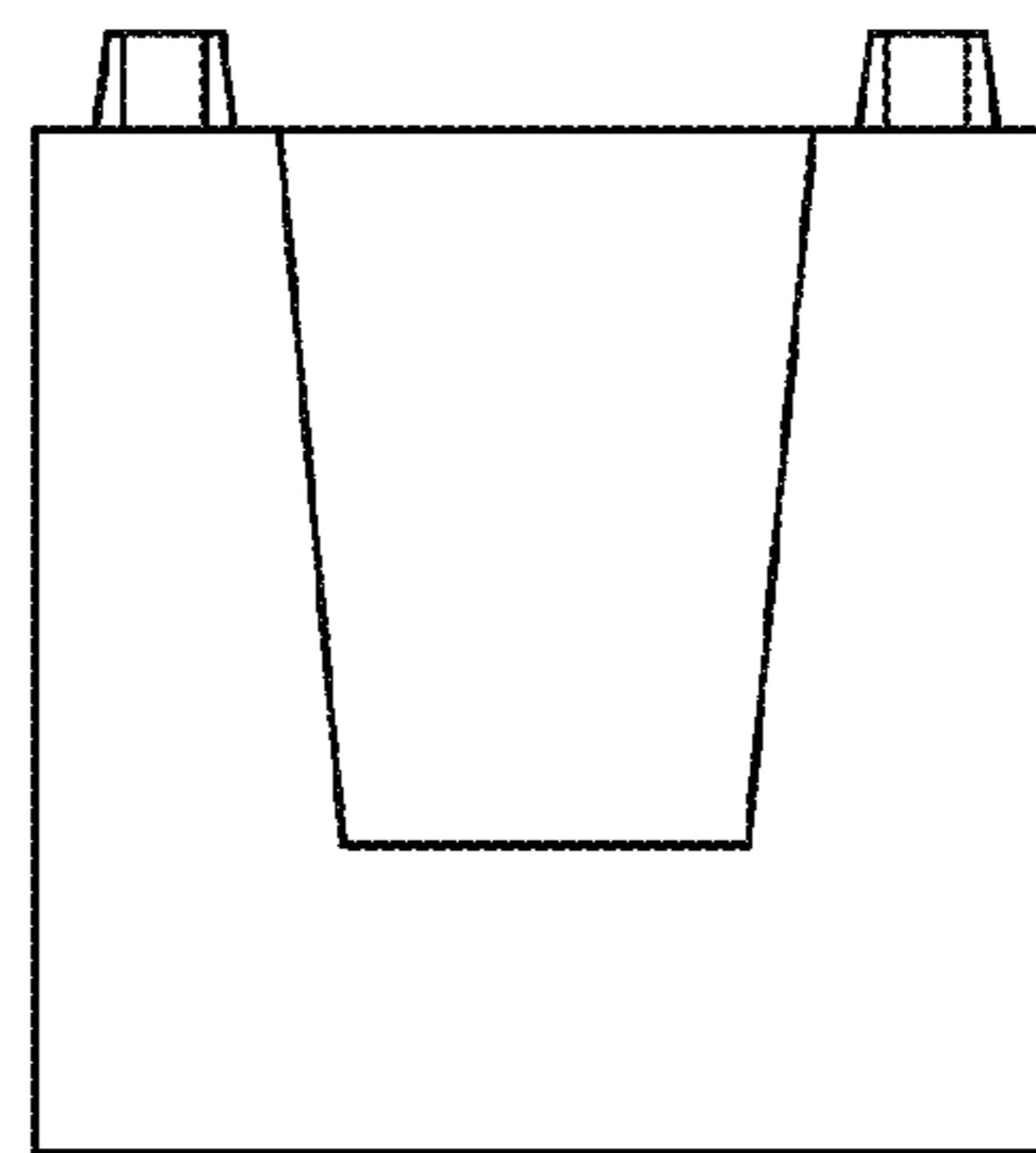


FIG. 7